



US00D790063S

(12) **United States Design Patent** (10) **Patent No.:** **US D790,063 S**
Ernst et al. (45) **Date of Patent:** **** *Jun. 20, 2017**

(54) **ORAL IMPLANT FLAG**

(71) Applicants: **Maurice Moshe Ernst**, Jerusalem (IL);
Boris Levitan, Upper Nazareth (IL)

(72) Inventors: **Maurice Moshe Ernst**, Jerusalem (IL);
Boris Levitan, Upper Nazareth (IL)

(73) Assignee: **Densys Ltd**, Jerusalem (IL)

(*) Notice: This patent is subject to a terminal disclaimer.

(**) Term: **14 Years**

(21) Appl. No.: **29/444,347**

(22) Filed: **Jan. 30, 2013**

(51) **LOC (10) Cl.** **24-02**

(52) **U.S. Cl.**
USPC **D24/156**

(58) **Field of Classification Search**
USPC D24/146, 152, 135, 119; D8/61;
433/126, 80, 82, 88, 132, 190, 141, 172,
433/173, 74; D28/57, 44.1; D15/140
CPC A61C 8/00; A61C 8/0089; A61C 8/0069;
A61C 8/0054; A61C 8/0096; A61C
8/0039; A61C 8/0063; A61C 8/006; A61C
8/0001; A61C 8/0012; A61C 8/0075;
A61C 8/0083; A61C 13/225

See application file for complete search history.

(56) **References Cited**

U.S. PATENT DOCUMENTS

D293,798	S	*	1/1988	Johnson	D15/140
4,801,264	A	*	1/1989	Weissman	433/74
D339,420	S	*	9/1993	Nordin	D24/156
8,007,279	B2	*	8/2011	Bassett et al.	433/173
2003/0036035	A1	*	2/2003	Chen	433/172
2003/0148246	A1	*	8/2003	Lustig et al.	433/172
2009/0011382	A1	*	1/2009	Bavar	433/76
2010/0167239	A1	*	7/2010	Guillard	433/173
2012/0028214	A1	*	2/2012	Futterknecht et al.	433/74

* cited by examiner

Primary Examiner — Charles Hanson

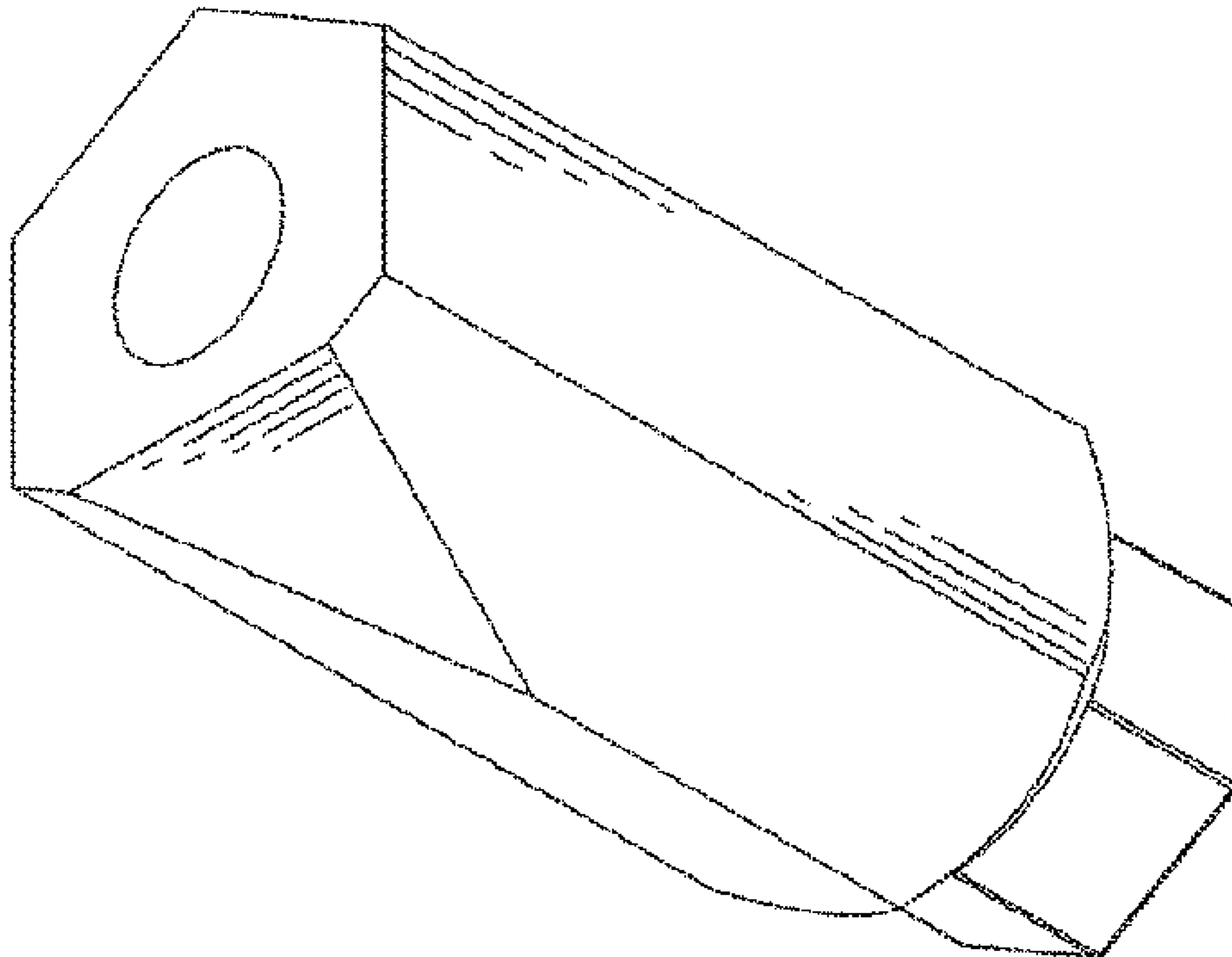
(57) **CLAIM**

The ornamental design for an oral implant flag, as shown and described.

DESCRIPTION

FIG. 1 is a front view of an oral implant flag showing our new design.
FIG. 2 is a back view thereof.
FIG. 3 is a top end view thereof
FIG. 4 is a bottom end view thereof.
FIG. 5 is a side view thereof.
FIG. 6 is a perspective side view demonstrating our new design; and,
FIG. 7 is a cut away view of FIG. 3 with a defining line as indicated from 7 to 7.

1 Claim, 2 Drawing Sheets



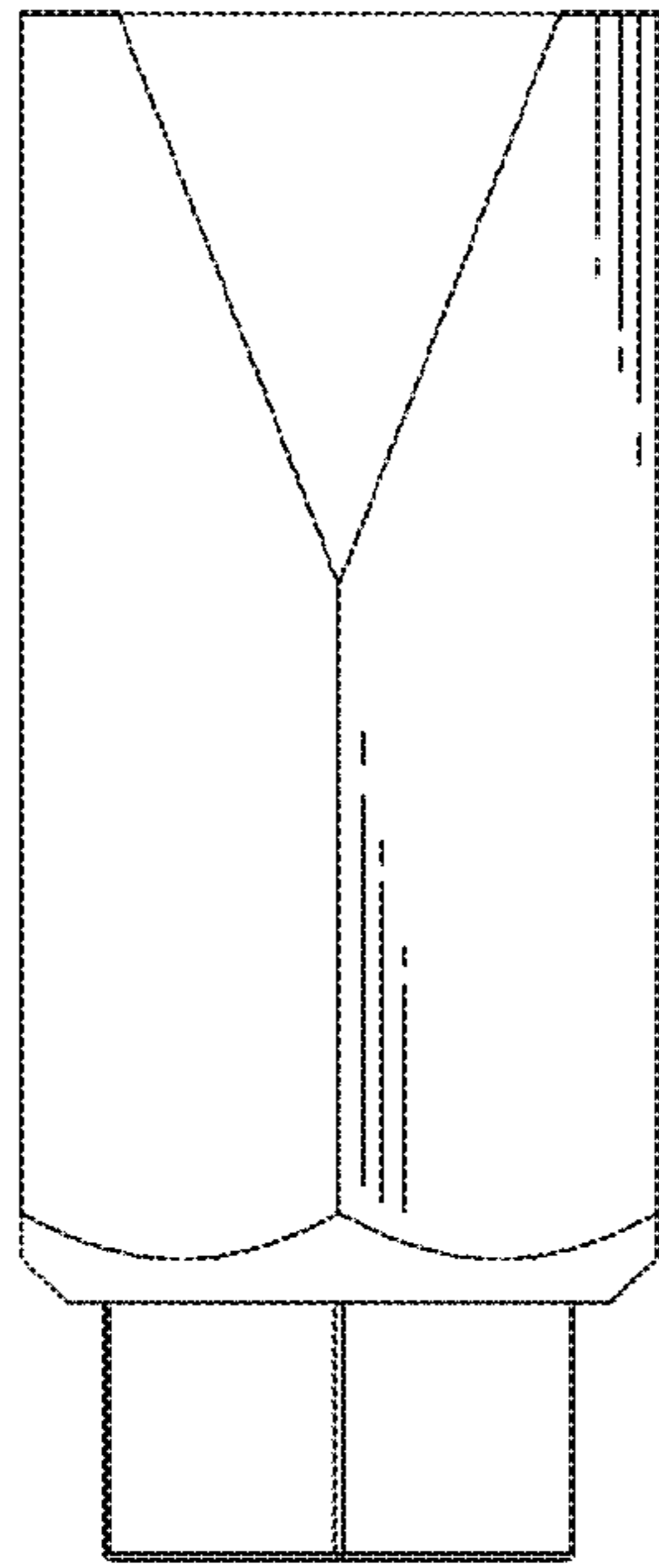


Figure 1

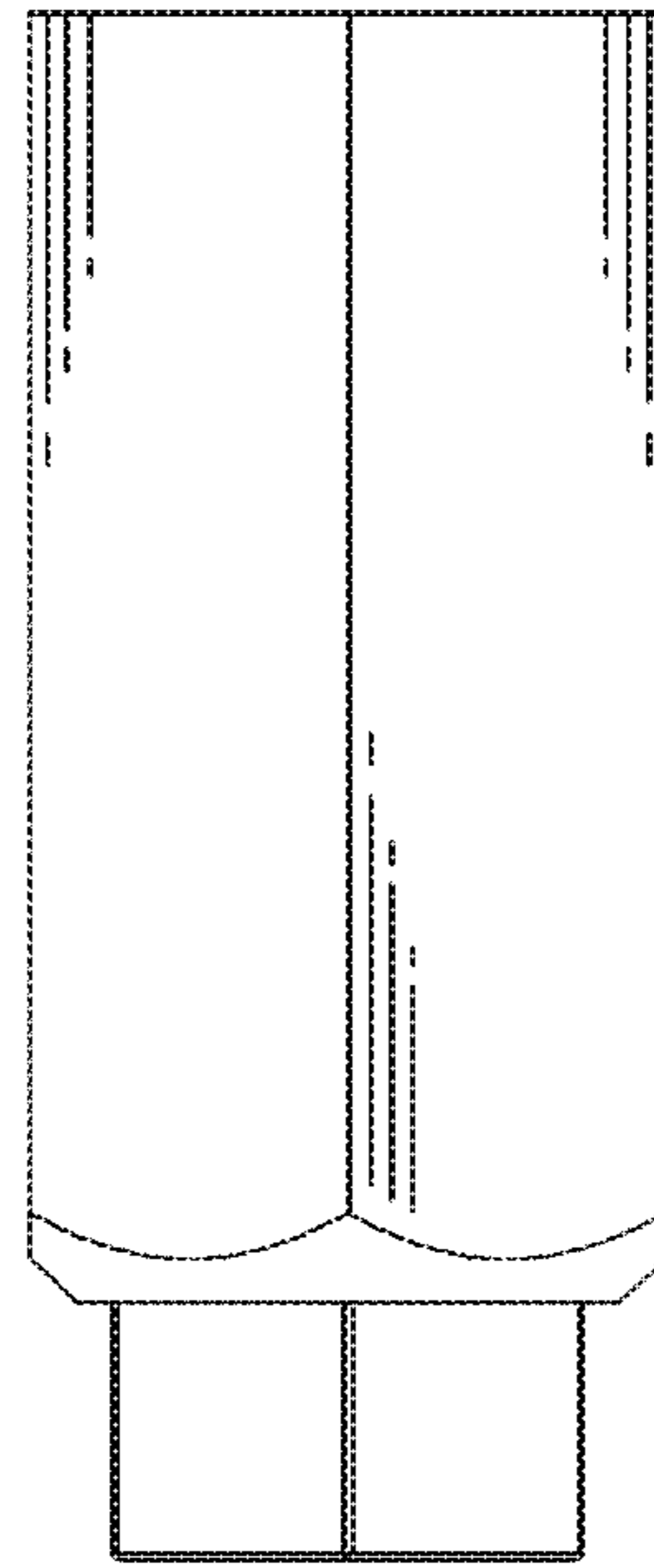


Figure 2

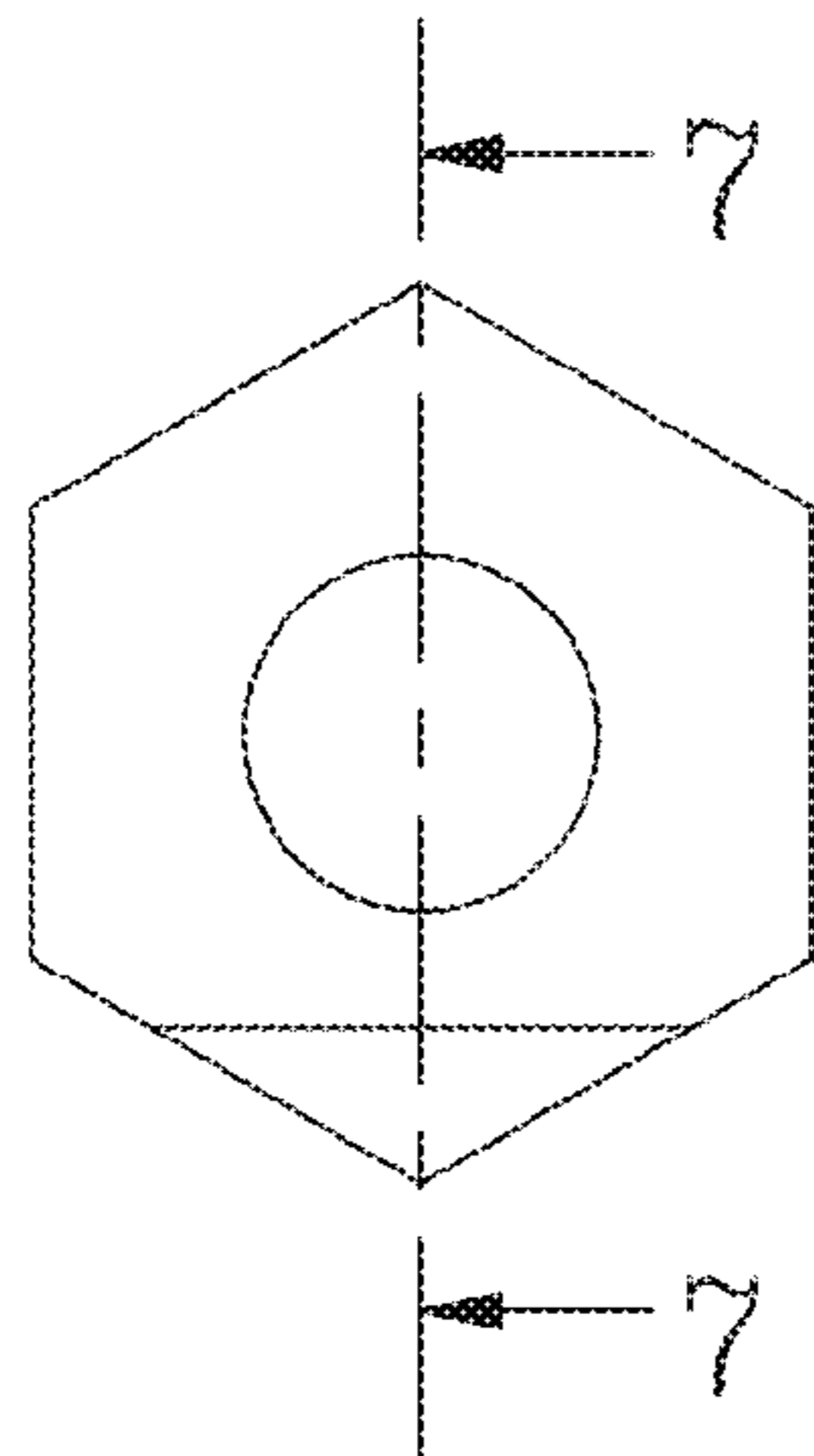


Figure 3

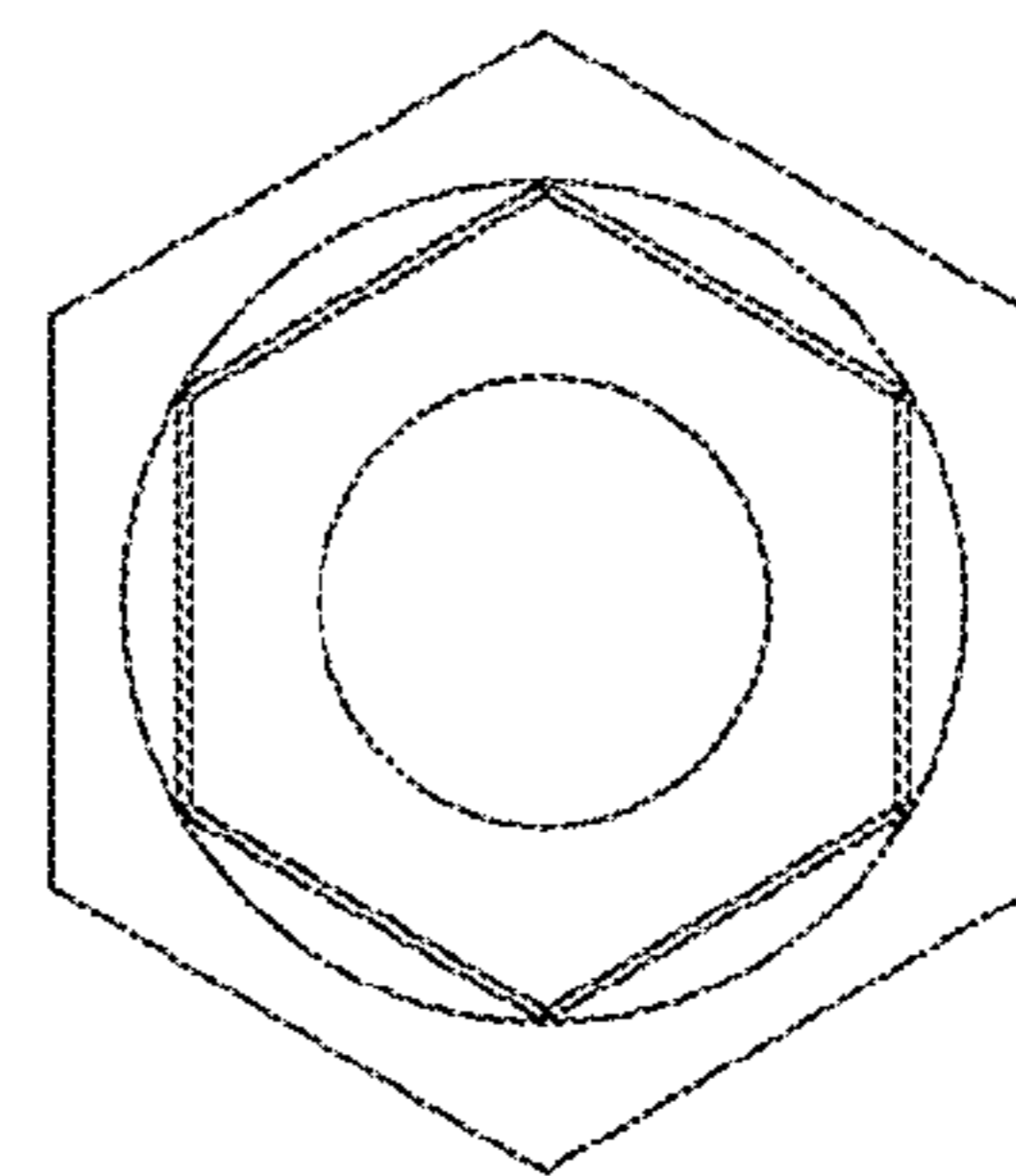


Figure 4

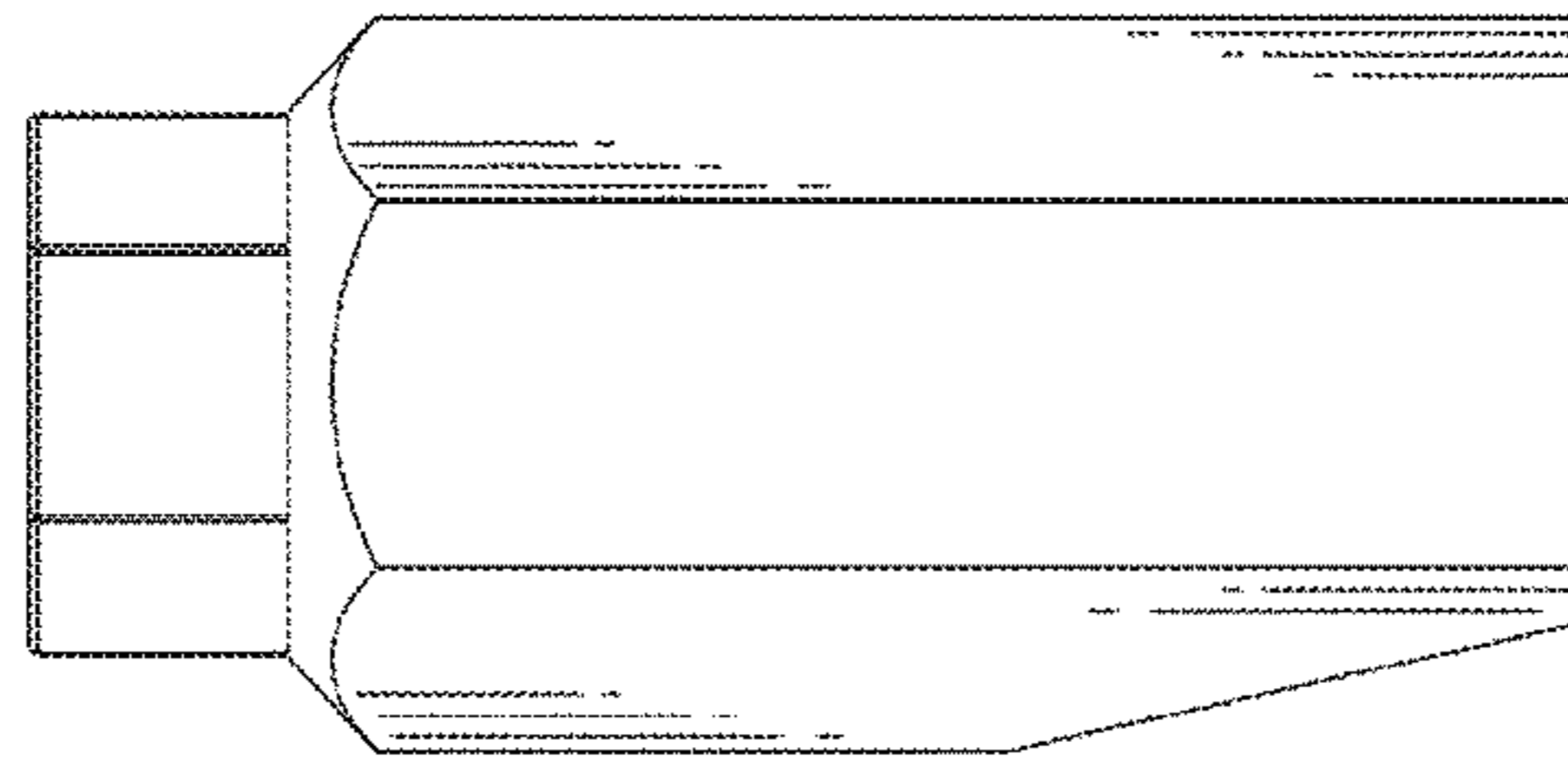


Figure 5

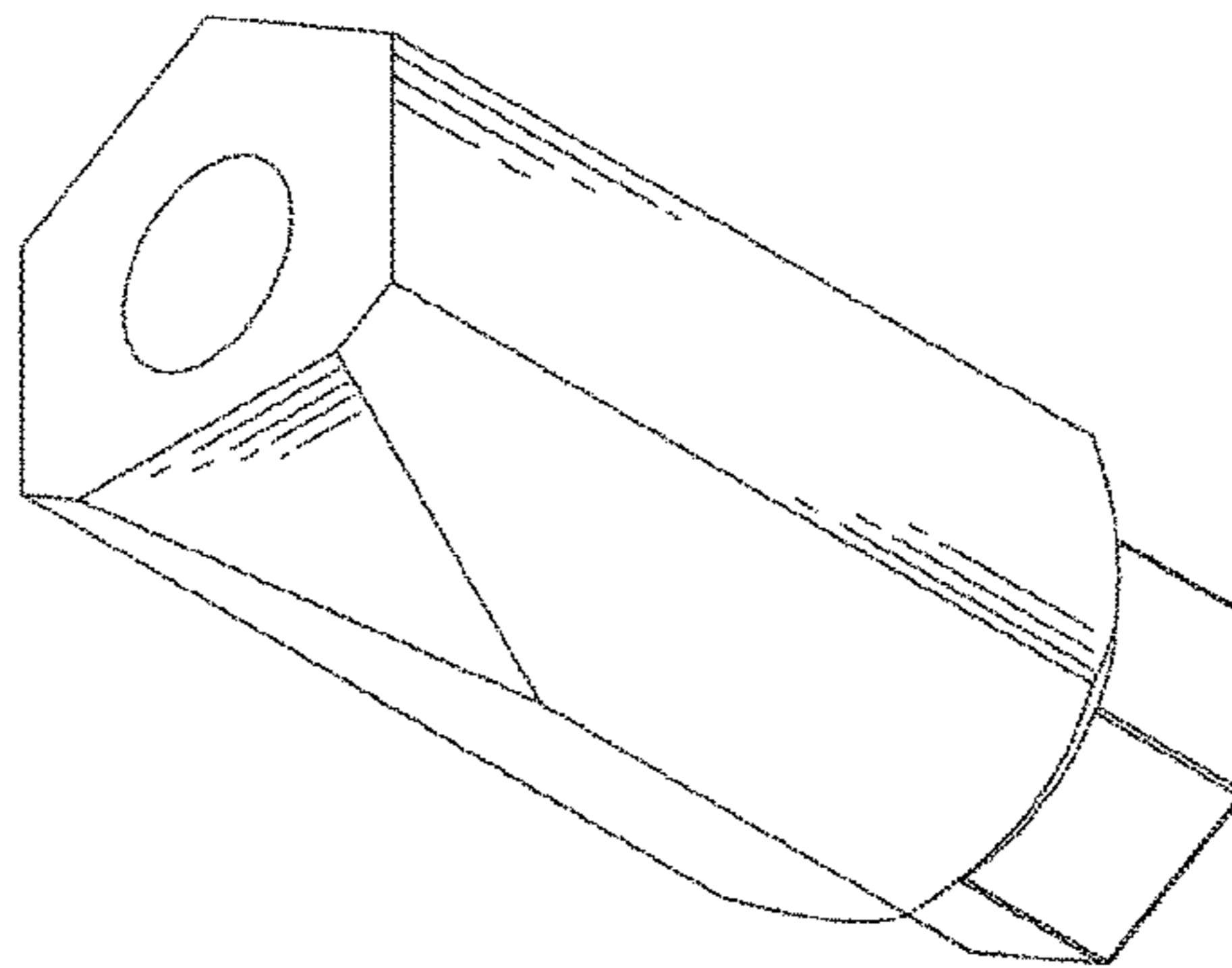


Figure 6

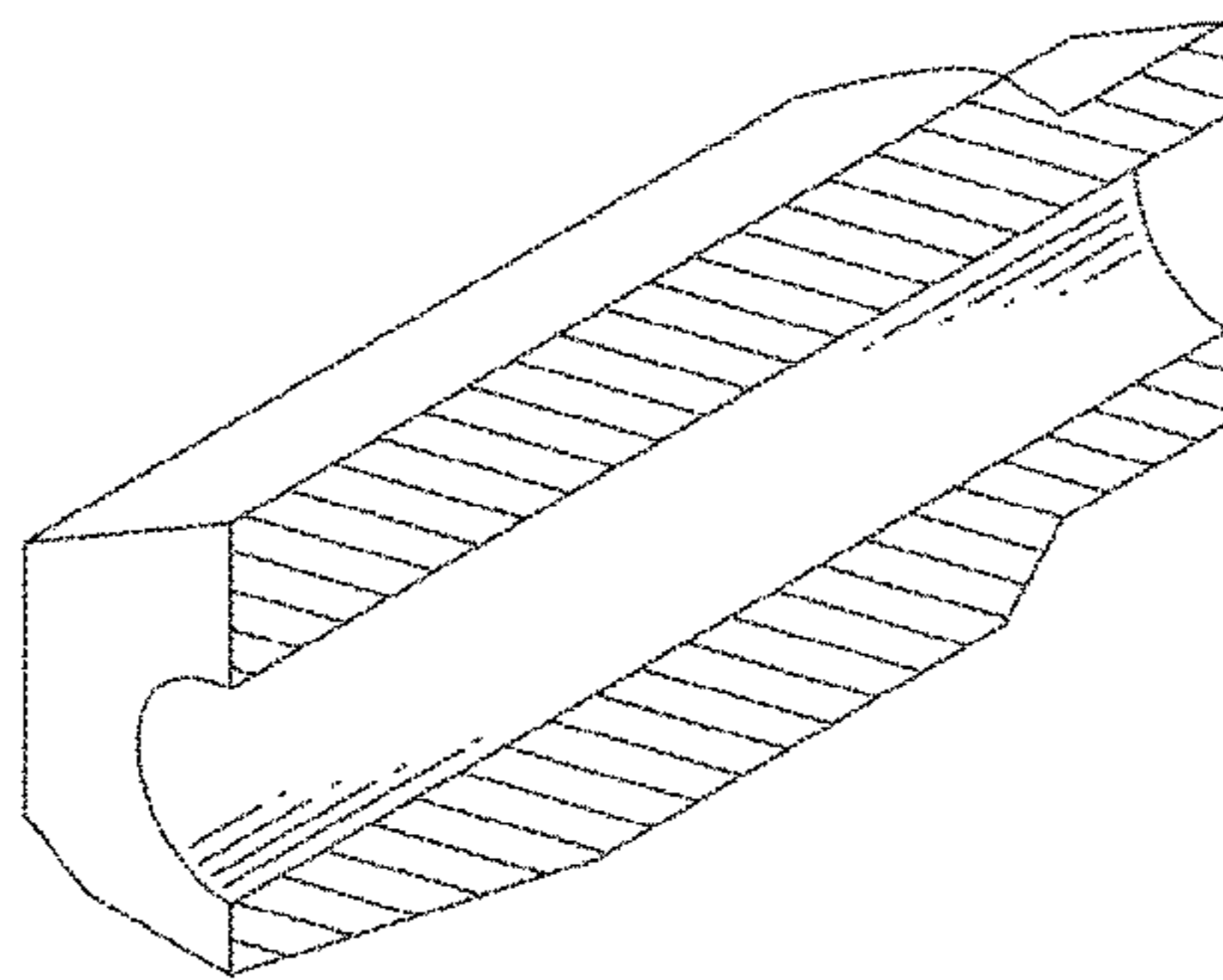


Figure 7