



US00D790059S

(12) **United States Design Patent** (10) **Patent No.:** **US D790,059 S**
Osada et al. (45) **Date of Patent:** **** Jun. 20, 2017**

(54) **JOYSTICK FOR ENDOSCOPE OPERATING UNIT**

(71) Applicant: **OLYMPUS CORPORATION**, Tokyo (JP)

(72) Inventors: **Reisuke Osada**, Tokyo (JP); **Tatsuhiko Suzuki**, Tokyo (JP)

(73) Assignee: **OLYMPUS CORPORATION**, Tokyo (JP)

(**) Term: **15 Years**

(21) Appl. No.: **29/558,492**

(22) Filed: **Mar. 18, 2016**

(30) **Foreign Application Priority Data**

Sep. 18, 2015 (JP) 2015-020764

(51) **LOC (10) Cl.** **24-02**

(52) **U.S. Cl.**
USPC **D24/138**

(58) **Field of Classification Search**
USPC D24/107, 117, 118, 135, 137-138, 200,
D24/201, 202, 215, 222; D21/324, 325,
D21/319, 331, 117.4, 117.8, 333;
D14/14; D13/162; 600/131, 145-147
CPC A61B 1/00684; A61B 1/00; A61B 1/0052;
A61B 1/267; A61B 1/2673
See application file for complete search history.

(56) **References Cited**

U.S. PATENT DOCUMENTS

D418,315 S * 1/2000 Stewart D12/114
D693,466 S * 11/2013 Dallemagne D24/144
D715,865 S * 10/2014 Morris D21/333

D723,033 S * 2/2015 Hoock D14/412
D723,684 S * 3/2015 Funakoshi D24/138
D724,209 S * 3/2015 Sun D24/138
D741,963 S * 10/2015 Baumann D21/688
D752,292 S * 3/2016 Columbus D24/211
D753,118 S * 4/2016 French D12/179
D762,782 S * 8/2016 Walker, II D14/401
D772,987 S * 11/2016 Kujawski D14/401
D772,988 S * 11/2016 Kujawski D14/401
D773,561 S * 12/2016 Kujawski D14/401

* cited by examiner

Primary Examiner — Manpreet Matharu

Assistant Examiner — Yolanda Robinson

(74) *Attorney, Agent, or Firm* — Scully, Scott, Murphy & Presser, PC

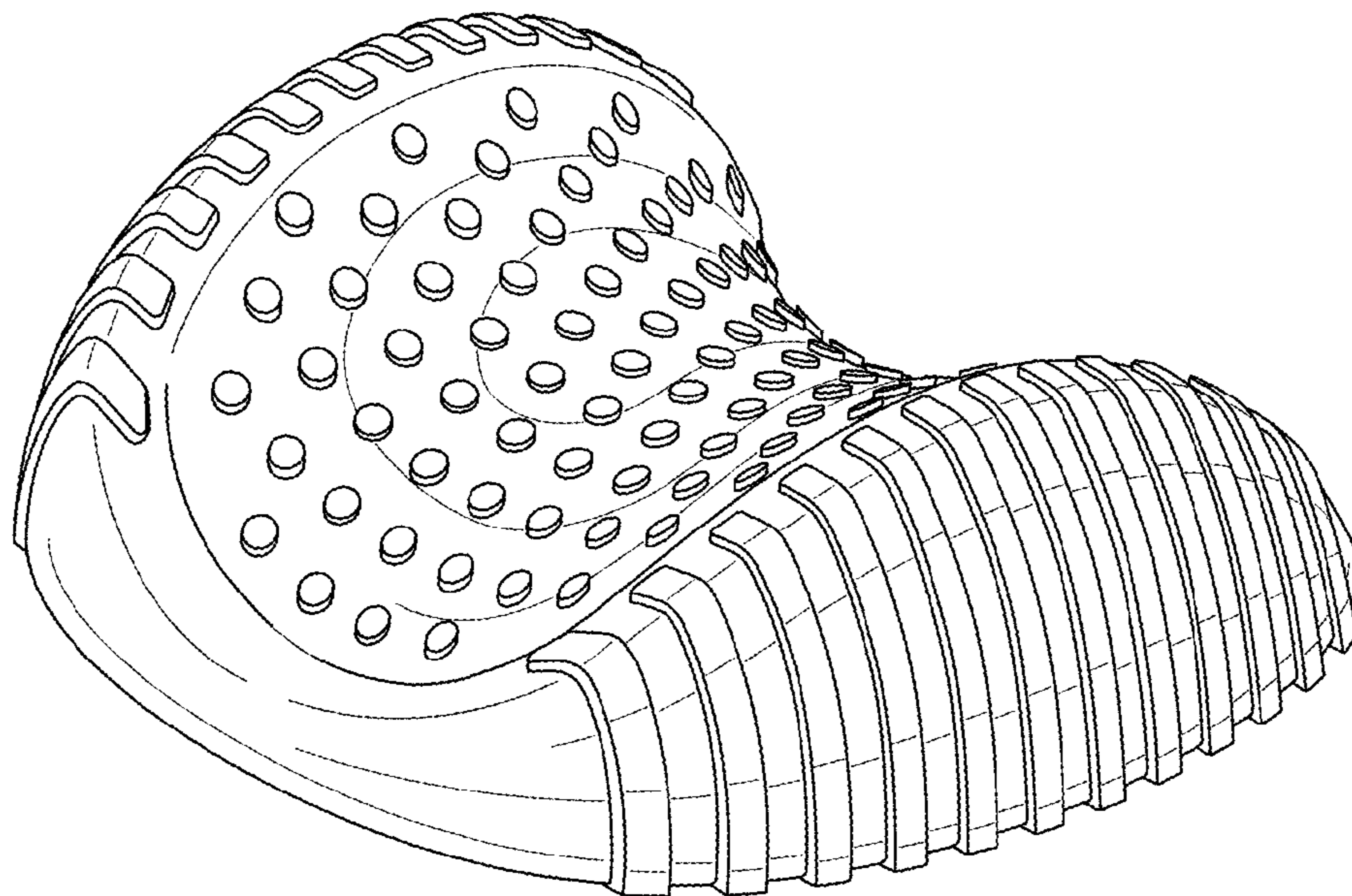
(57) **CLAIM**

The ornamental design for a joystick for endoscope operating unit, as shown and described.

DESCRIPTION

FIG. 1 is a perspective view of a joystick for endoscope operating unit, showing our new design;
FIG. 2 is a front view thereof;
FIG. 3 is a rear view thereof;
FIG. 4 is a top view thereof;
FIG. 5 is a bottom view thereof;
FIG. 6 is a left side view thereof;
FIG. 7 is a right side view thereof;
FIG. 8 is an end view thereof; taken along line 8-8 in FIG. 2; and,
FIG. 9 is an end view thereof; taken along line 9-9 in FIG. 2.
The broken lines shown in FIGS. 3, 8, and 9 are for environmental purposes only form no part of the claimed design.

1 Claim, 4 Drawing Sheets



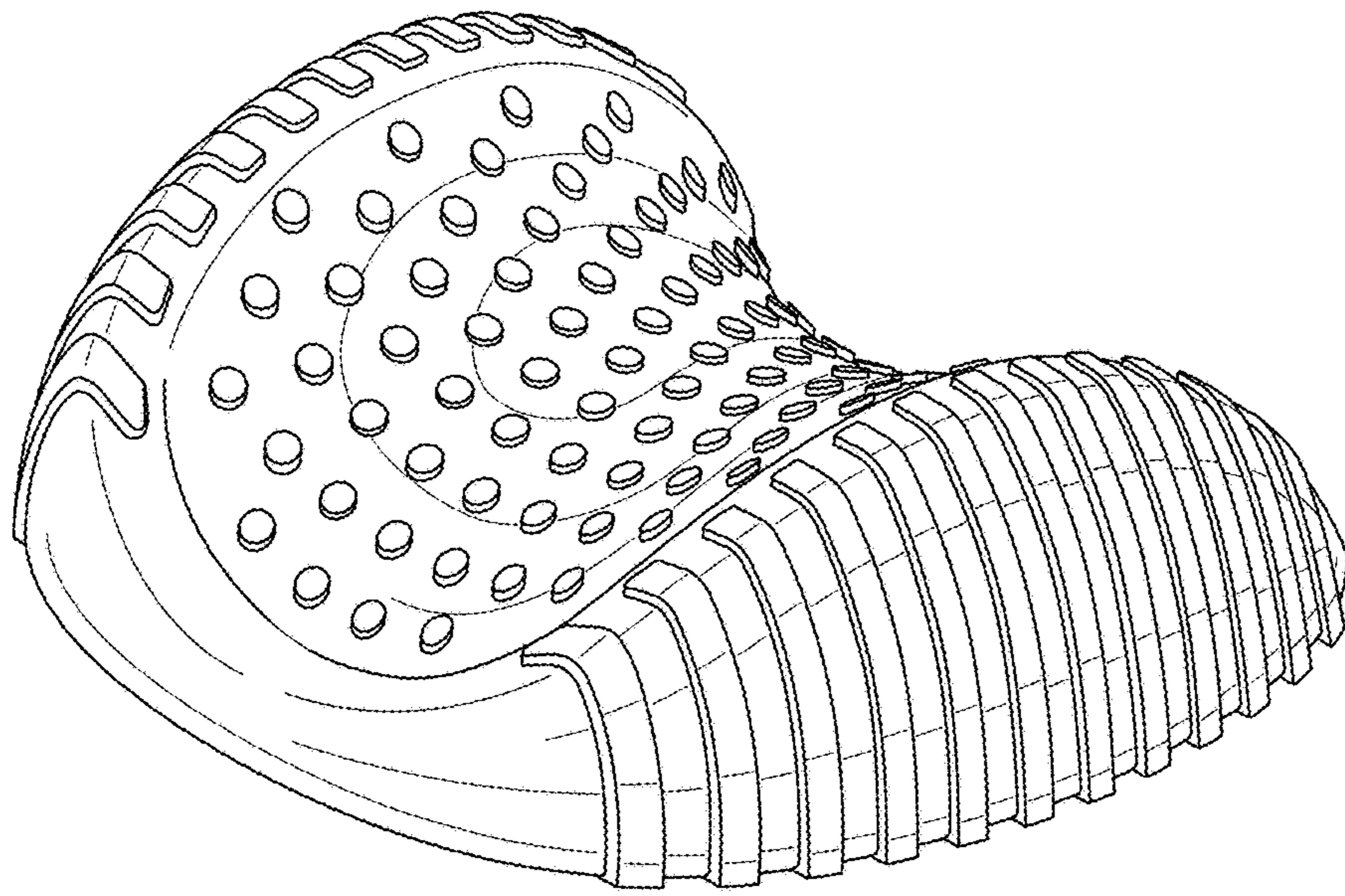


Fig. 1

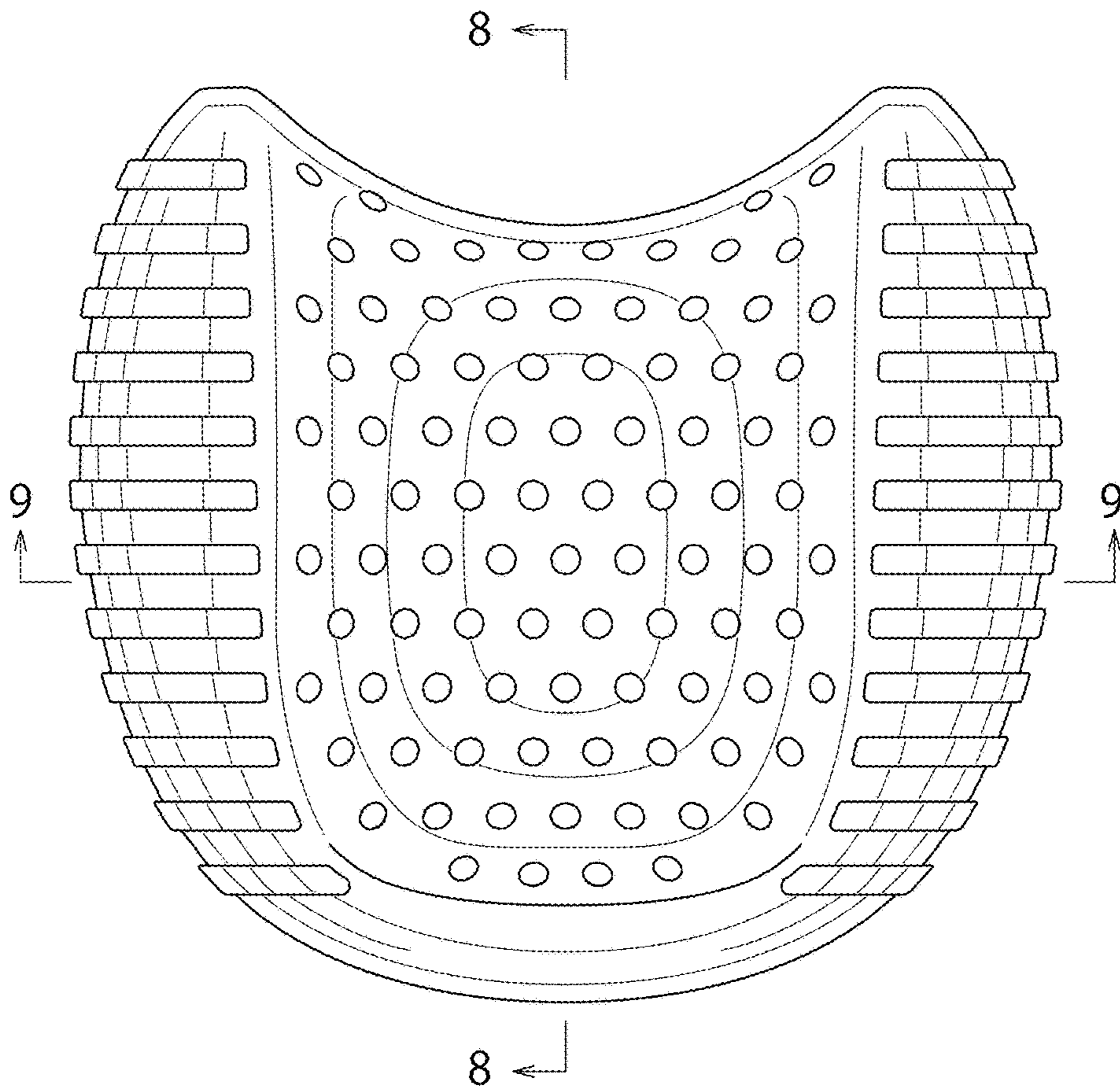


Fig. 2

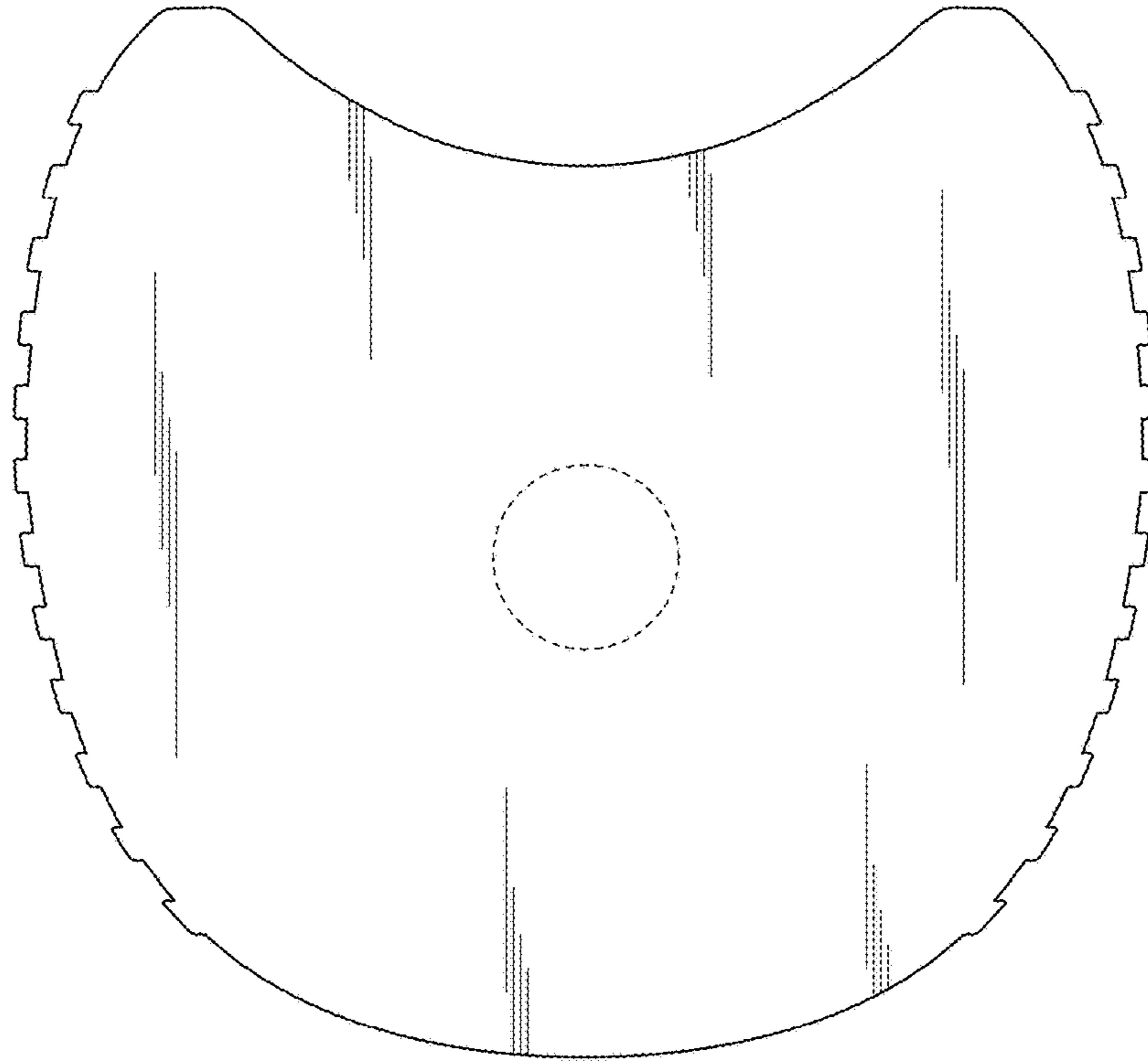


Fig. 3

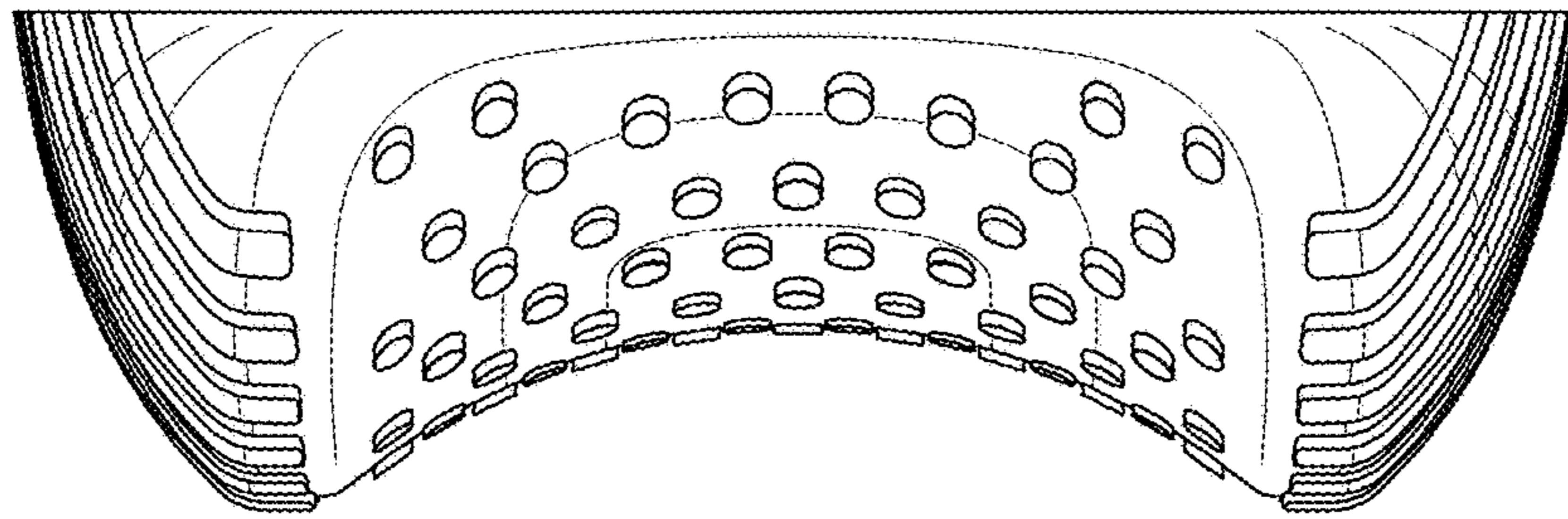


Fig. 4

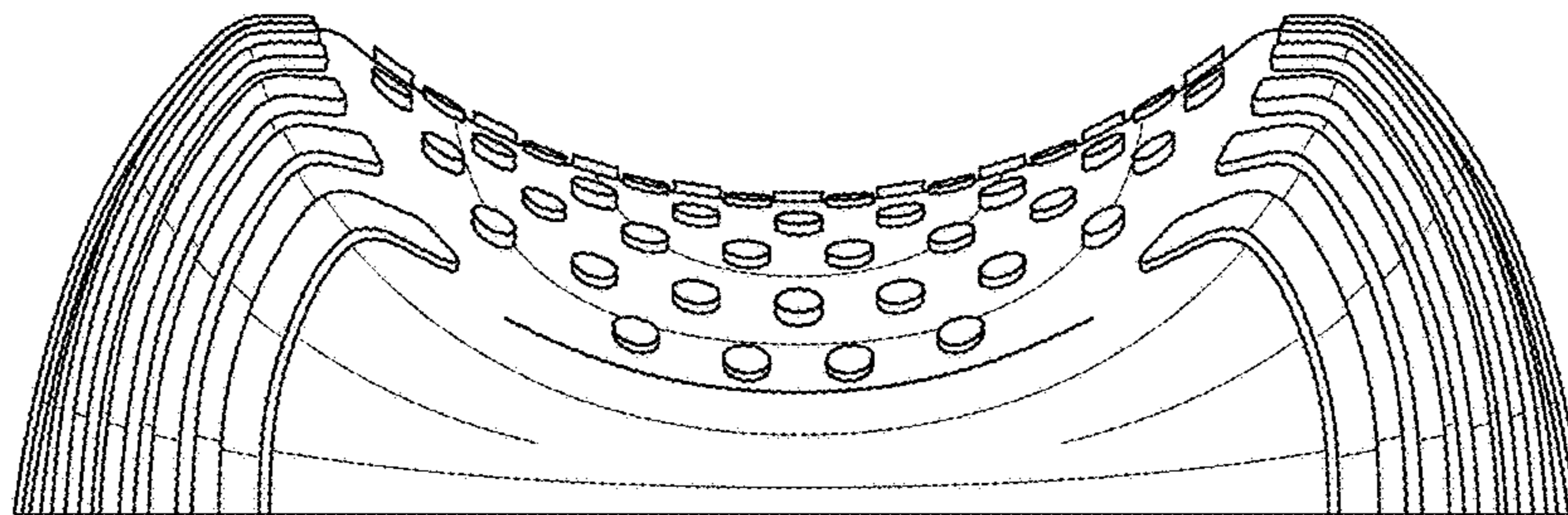


Fig. 5

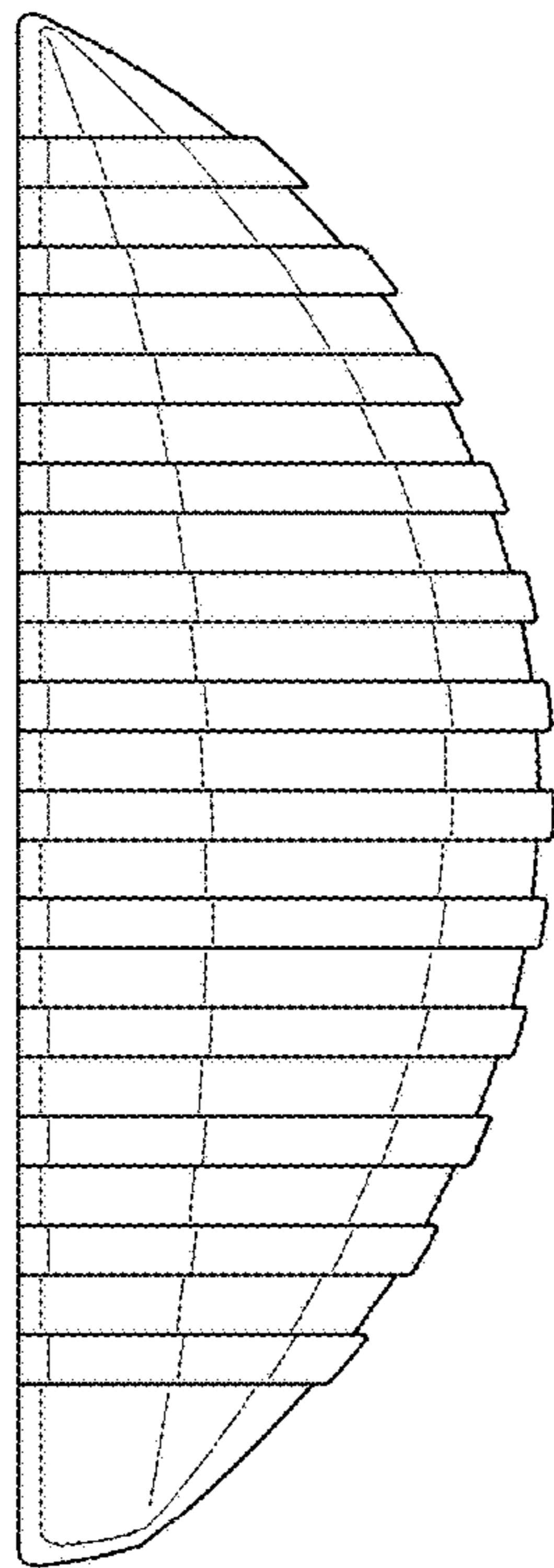


Fig. 6

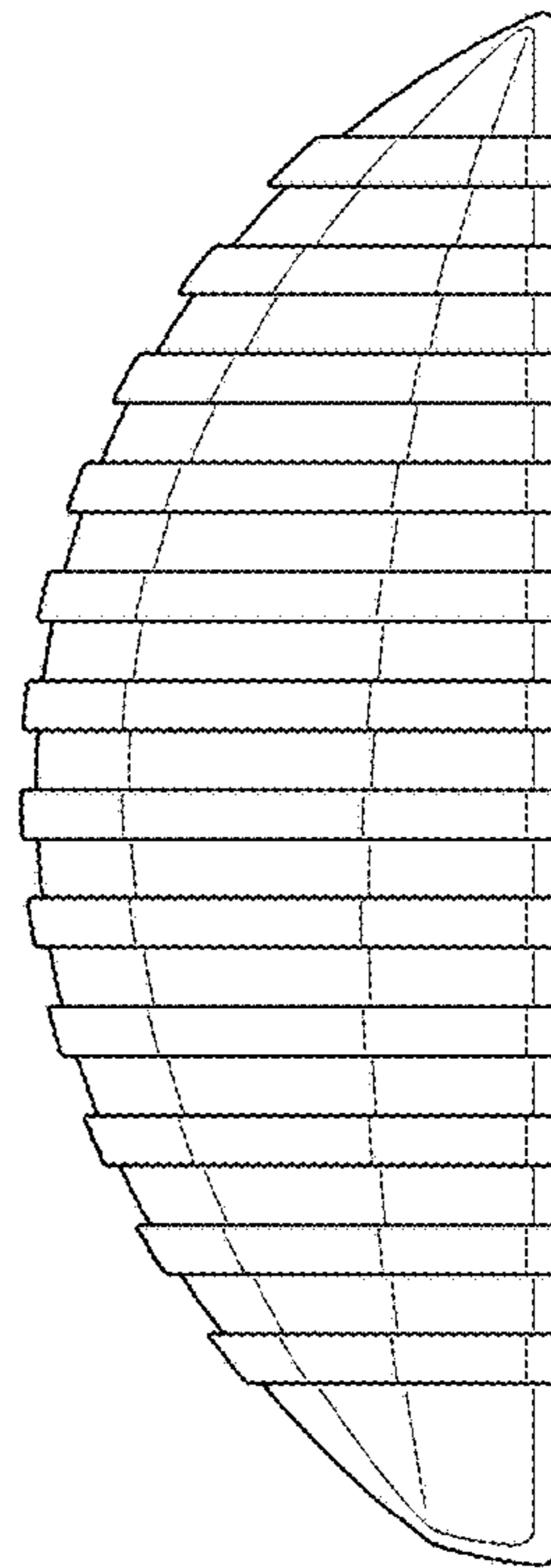


Fig. 7

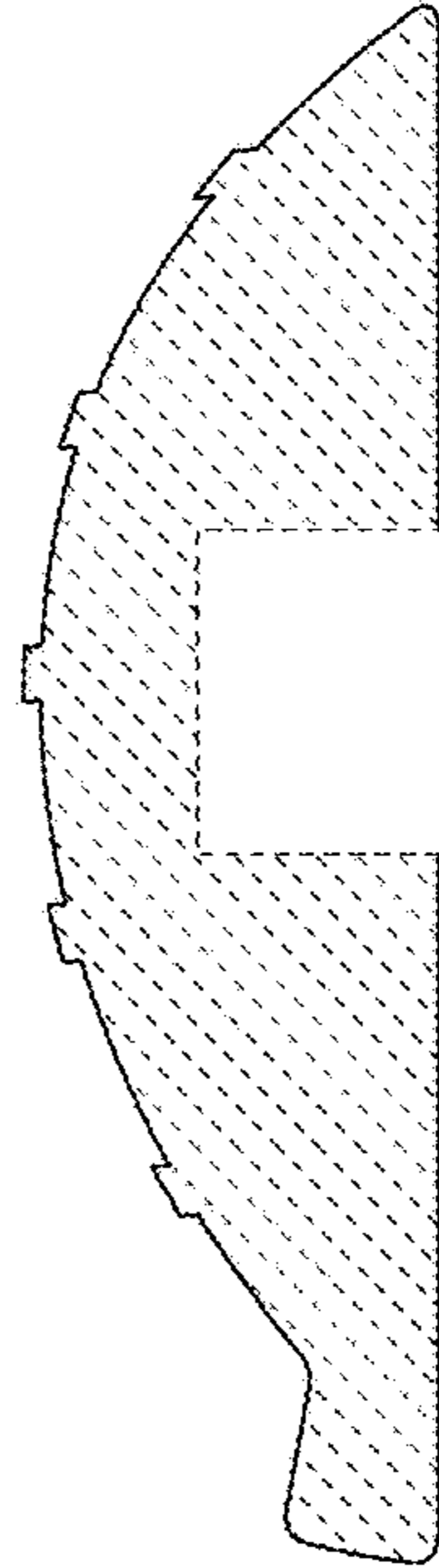


Fig. 8

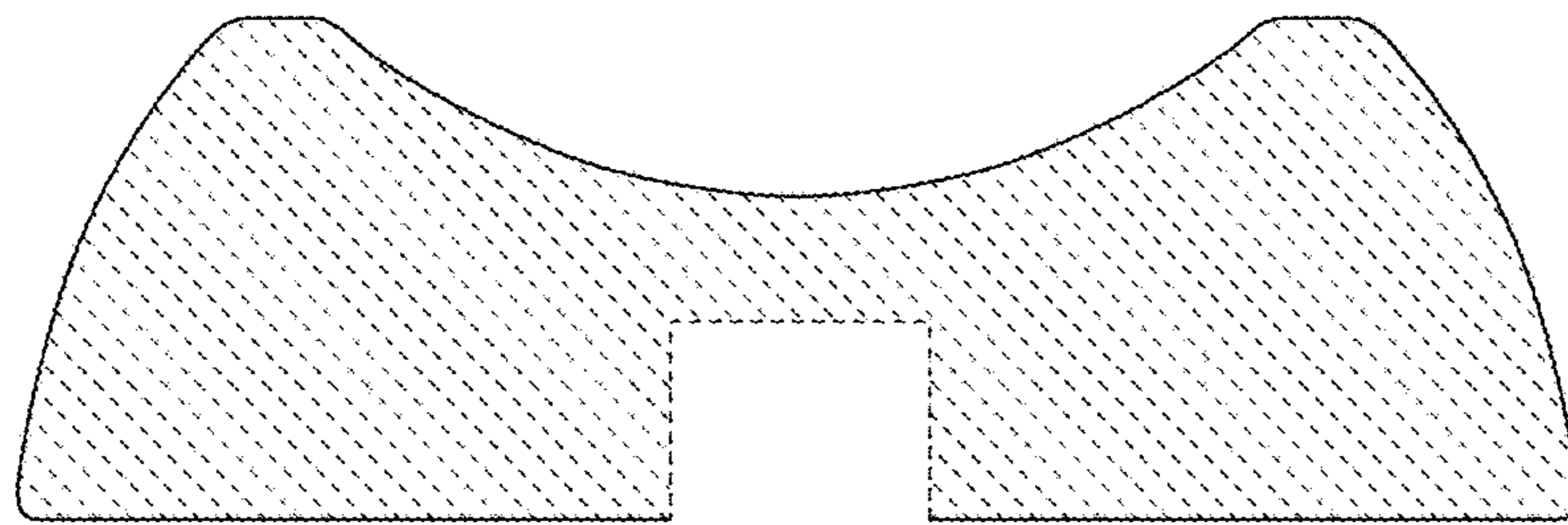


Fig. 9