



US00D790057S

(12) **United States Design Patent** (10) **Patent No.:** **US D790,057 S**  
**Ashman-Stauss et al.** (45) **Date of Patent:** **\*\* Jun. 20, 2017**

(54) **HANDLE DESIGN FOR CATHETER Y-HUB WITH DUAL SIDE PORTS**

5,181,508 A \* 1/1993 Poole, Jr. .... A61M 16/0463  
128/203.12

(71) Applicant: **W. L. Gore & Associates, Inc.**,  
Newark, DE (US)

5,207,648 A 5/1993 Gross  
5,250,038 A 10/1993 Melker et al.  
D351,227 S 10/1994 Patton et al.  
D353,197 S \* 12/1994 Hawks ..... D24/112  
5,437,626 A 8/1995 Cohen et al.

(72) Inventors: **Jennifer Ashman-Stauss**, Cincinnati, OH (US); **Mark Bates**, Westwood, MA (US); **Daniel S. Cole**, Flagstaff, AZ (US); **Nathan L. Friedman**, Flagstaff, AZ (US); **Justin W. Sokel**, Flagstaff, AZ (US); **Damien Vizcarra**, Pasadena, CA (US)

(Continued)

FOREIGN PATENT DOCUMENTS

WO 2014026028 A1 2/2014

OTHER PUBLICATIONS

Absolute Pro Vascular Self-Expanding Stent System, Product Brochure: Abbot Vascular USA, 2006, Abbott Laboratories, copyright 2006-2015, 3 pages.

(Continued)

*Primary Examiner* — David Muller

(\*\*) Term: **14 Years**

(21) Appl. No.: **29/522,828**

(22) Filed: **Apr. 2, 2015**

(57) **CLAIM**

(51) **LOC (10) Cl.** ..... **24-02**

An ornamental design for a handle design for catheter Y-hub with dual side ports, as shown and described.

(52) **U.S. Cl.**

USPC ..... **D24/130**

**DESCRIPTION**

(58) **Field of Classification Search**

USPC ..... D24/127-131, 112-114, 133, 186;  
606/181, 185; 604/264, 523-528, 272,  
604/187, 158, 164.01-164.11, 181, 184,  
604/227; 600/101, 139, 143;  
128/200.24, 207.14, 207.15

FIG. 1 is a three-quarter front isometric view of a handle design for catheter Y-hub with dual side ports.  
FIG. 2 is a three-quarter rear isometric view of the handle design for catheter Y-hub with dual side ports shown in FIG. 1.

CPC ..... A61M 25/00; A61M 39/00; A61M 27/00;  
A61M 25/0043; A61M 25/0067; A61M  
25/0097; A61F 2/958

FIG. 3 is a top plan view thereof;  
FIG. 4 is a bottom plan view thereof;  
FIG. 5 is a left side elevation view thereof;  
FIG. 6 is a right side elevation view thereof;  
FIG. 7 is a rear elevation view thereof; and,  
FIG. 8 is a front elevation view thereof.

See application file for complete search history.

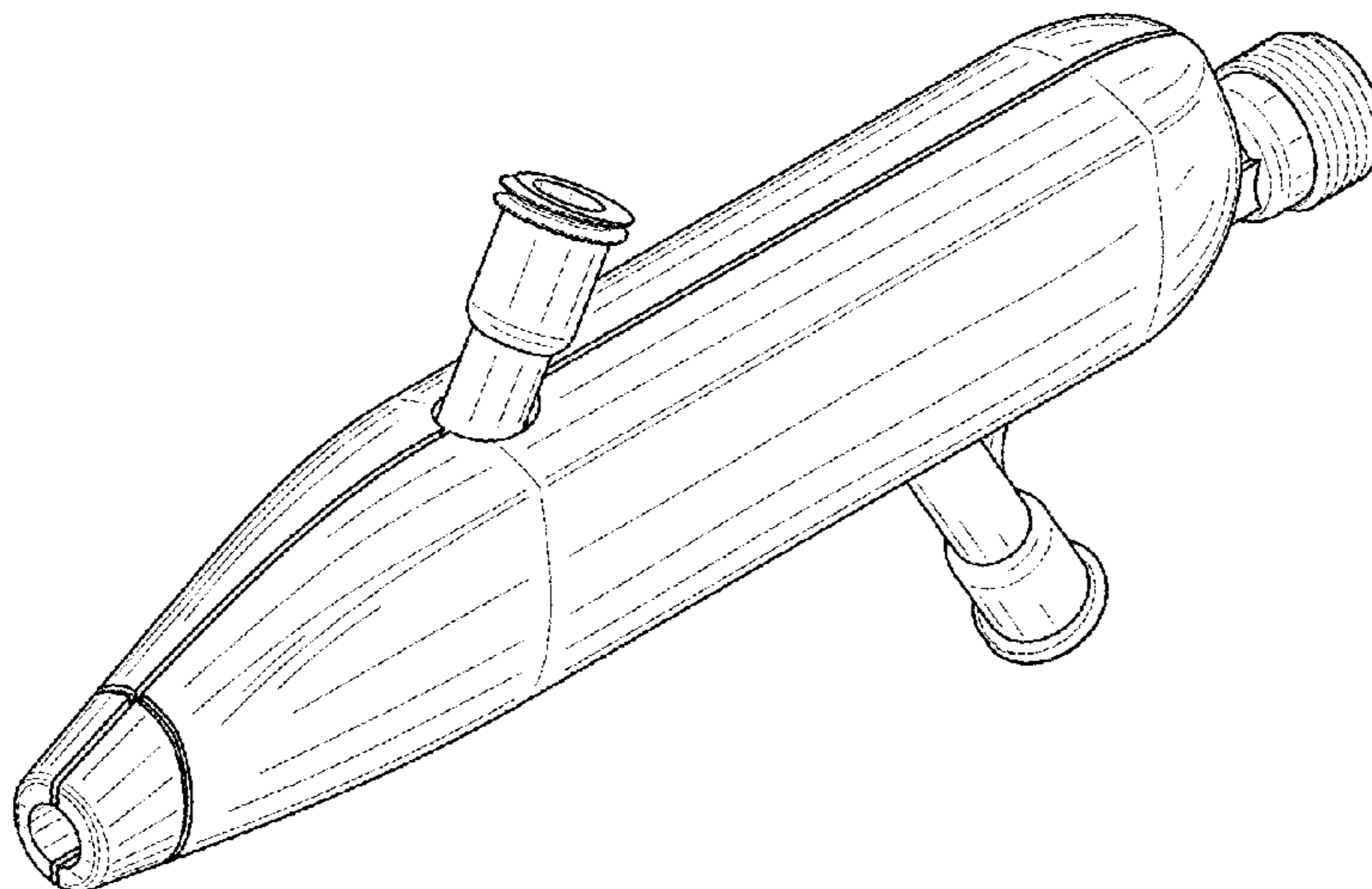
The broken line showing of parts of the drawings is included for the purpose of illustrating use and environment and forms no part of the claimed design.

(56) **References Cited**

U.S. PATENT DOCUMENTS

D323,889 S \* 2/1992 Wyatt ..... D24/129  
D327,320 S 6/1992 Bryant  
D328,788 S \* 8/1992 Sagae ..... D24/129

**1 Claim, 5 Drawing Sheets**



(56)

References Cited

U.S. PATENT DOCUMENTS

D383,538 S 9/1997 Erskine et al.  
 5,846,221 A 12/1998 Snoke et al.  
 D407,488 S 3/1999 Injev  
 6,203,507 B1 3/2001 Wadsworth et al.  
 D440,310 S \* 4/2001 Laks ..... D24/112  
 6,217,564 B1 4/2001 Peters et al.  
 6,267,754 B1 7/2001 Peters  
 D449,104 S \* 10/2001 Baker ..... D24/112  
 6,508,789 B1 1/2003 Sinnott et al.  
 6,508,807 B1 1/2003 Peters  
 6,599,265 B2 7/2003 Bon  
 6,605,075 B1 8/2003 Burdulls  
 D482,447 S \* 11/2003 Harding ..... D24/129  
 D506,828 S \* 6/2005 Layne ..... D24/129  
 D518,175 S 3/2006 Hardin, Jr. et al.  
 7,413,543 B2 8/2008 Banik et al.  
 7,497,853 B2 3/2009 Fischer et al.  
 7,566,316 B2 7/2009 McGuckin et al.  
 D606,190 S 12/2009 Pruitt et al.  
 7,637,932 B2 12/2009 Bolduc et al.  
 7,731,708 B2 6/2010 Haarala et al.  
 D634,007 S \* 3/2011 Zinger ..... D24/129  
 D648,851 S 11/2011 Copeland et al.  
 D654,583 S 2/2012 Lee-Sepsick  
 D661,388 S 6/2012 Clark  
 D663,832 S 7/2012 Essinger et al.  
 D704,336 S \* 5/2014 Chon ..... D24/133  
 D715,921 S \* 10/2014 Wan ..... D24/112  
 D720,850 S \* 1/2015 Hsia ..... D24/130  
 D748,245 S \* 1/2016 Petersen ..... D24/113  
 2003/0149422 A1 8/2003 Muller  
 2004/0097903 A1 5/2004 Raulerson  
 2004/0133185 A1 7/2004 Nash et al.  
 2005/0070878 A1 3/2005 Triplett et al.  
 2005/0209582 A1 9/2005 Quinn et al.  
 2008/0200901 A1 8/2008 Rasmussen et al.  
 2008/0319420 A1 12/2008 Rosenman et al.  
 2009/0234328 A1 9/2009 Cox et al.  
 2009/0287188 A1 11/2009 Golden et al.  
 2010/0016838 A1 1/2010 Butts et al.  
 2010/0100074 A1 4/2010 Smith et al.  
 2010/0274227 A1 10/2010 Khairkahan et al.  
 2010/0331823 A1 12/2010 Blanchard

2011/0238147 A1 9/2011 Bennett et al.  
 2013/0204206 A1 8/2013 Morgan et al.  
 2013/0253469 A1 9/2013 Freed  
 2013/0304036 A1 11/2013 Kimmel et al.  
 2014/0180257 A1 6/2014 Zinn

OTHER PUBLICATIONS

Amphirion Deep Infrapopliteal OTW+RX PTA Balloon Catheter 0.014, Product Brochure, Medtronic, 2 pages.  
 Biotronik's New Length Pulsar—18 Peripheral Arterial Stent Now Available. News Release, <http://medicalbuy.net/2012/11/biotroniks-lengthy-pulsar-18-peripheral-arterial-stent/>.  
 Complete SE Vascular Self-Expanding Stent Product Details, Medtronic, Peripheral Therapies International for Healthcare Professionals. <http://www.peripheral.medtronicendovascu.com>.  
 Complete SE Vascular: Complete SE-Technical Specifications, Medtronic Peripheral Therapies International for Healthcare Professionals, <http://www.peripheral.medtronicendovascu.com>.  
 Cordis S.M.A.R.T.® Control™ Nitinol Stent System, Product Brochure, Cordis Europe, 2007, 4 pages.  
 E•Luminexx® Biliary Stent: Instructions for Use. Bard, Peripheral Vascular B05691 Vers 6/11-09, 27 pages.  
 EverFlex™ Self-expanding Peripheral Stent with Entrust™ Delivery System, Product Brochure, (supradesup-selfexpanding-peripheral-stent-with-entrustsupradesup-delivery-system).  
 LifeStent Vascular Stent Systems, Product Brochure, Bard Peripheral Vascular, © Copyright 2011, C. R. Bard, Inc., 2 pages.  
 Misago®—Self-expanding peripheral stent, Product Brochure, Terumo International Systems, <http://www.terumo-europe.com/en-emea/peripheral-intervention/peripheral-stents>, 8 pg.  
 Sinus-Superflex-635 Self-Expanding Nitinol Stent System, Product Brochure, Optimed, May 2014, 6 pages.  
 Supera Interwoven Self-Expanding Nitinol Stent Transhepatic Biliary System, Product Brochure, IDEV Technologies (<http://www.farmpd.com/medical-equipment-product-development/i>).  
 The Bard Luminexx Product Brochure, Vascular News—New Products (VN21) Bard (Europe), Mar. 15, 2004, 1 page.  
 Tsunami® Peripheral—Balloon-expandable stent, Product Brochure, Terumo International Systems, <http://www.terumo-europe.com/en-emea/peripheral-intervention/peripheral-stents>.

\* cited by examiner

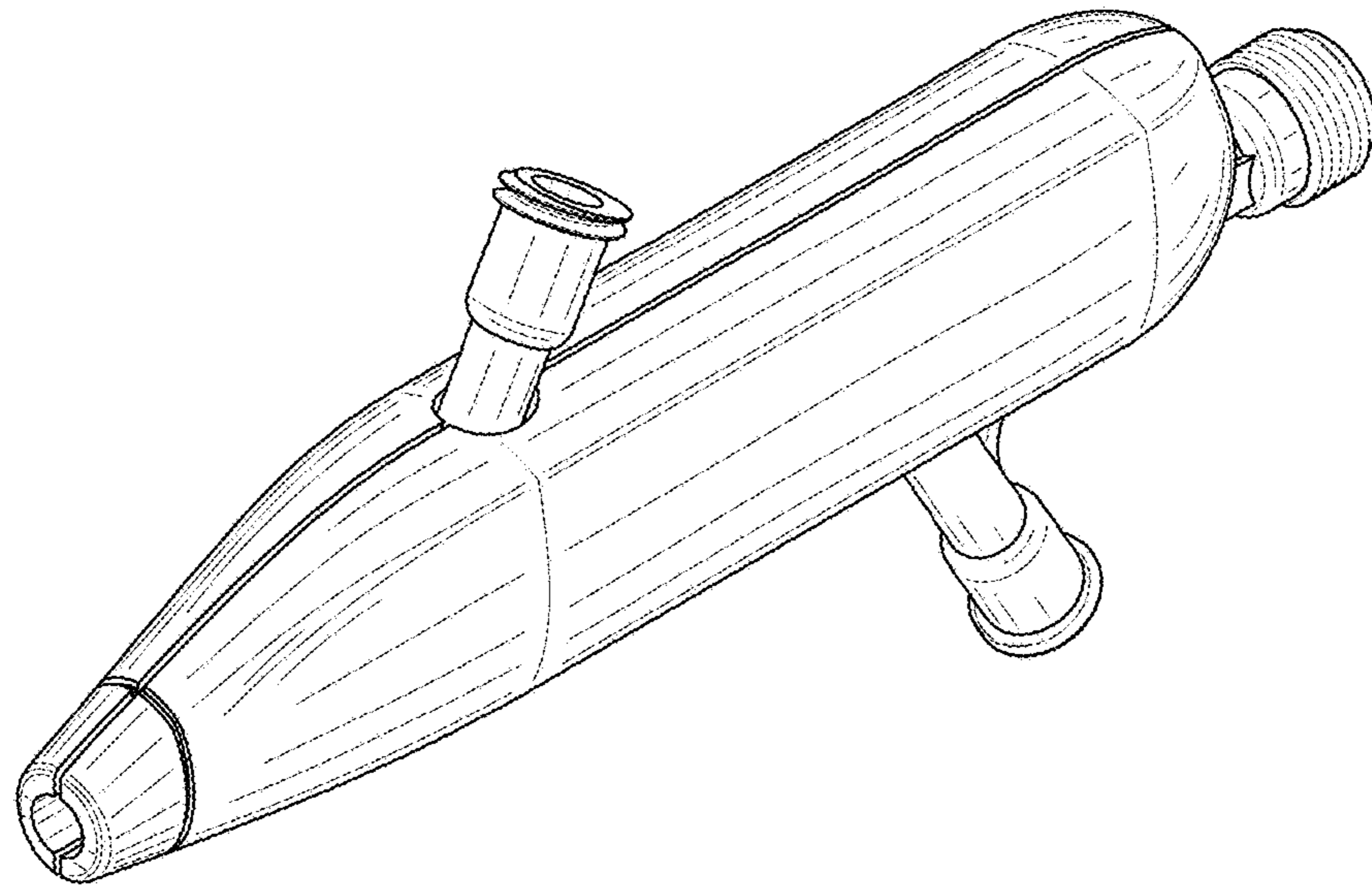


FIG. 1

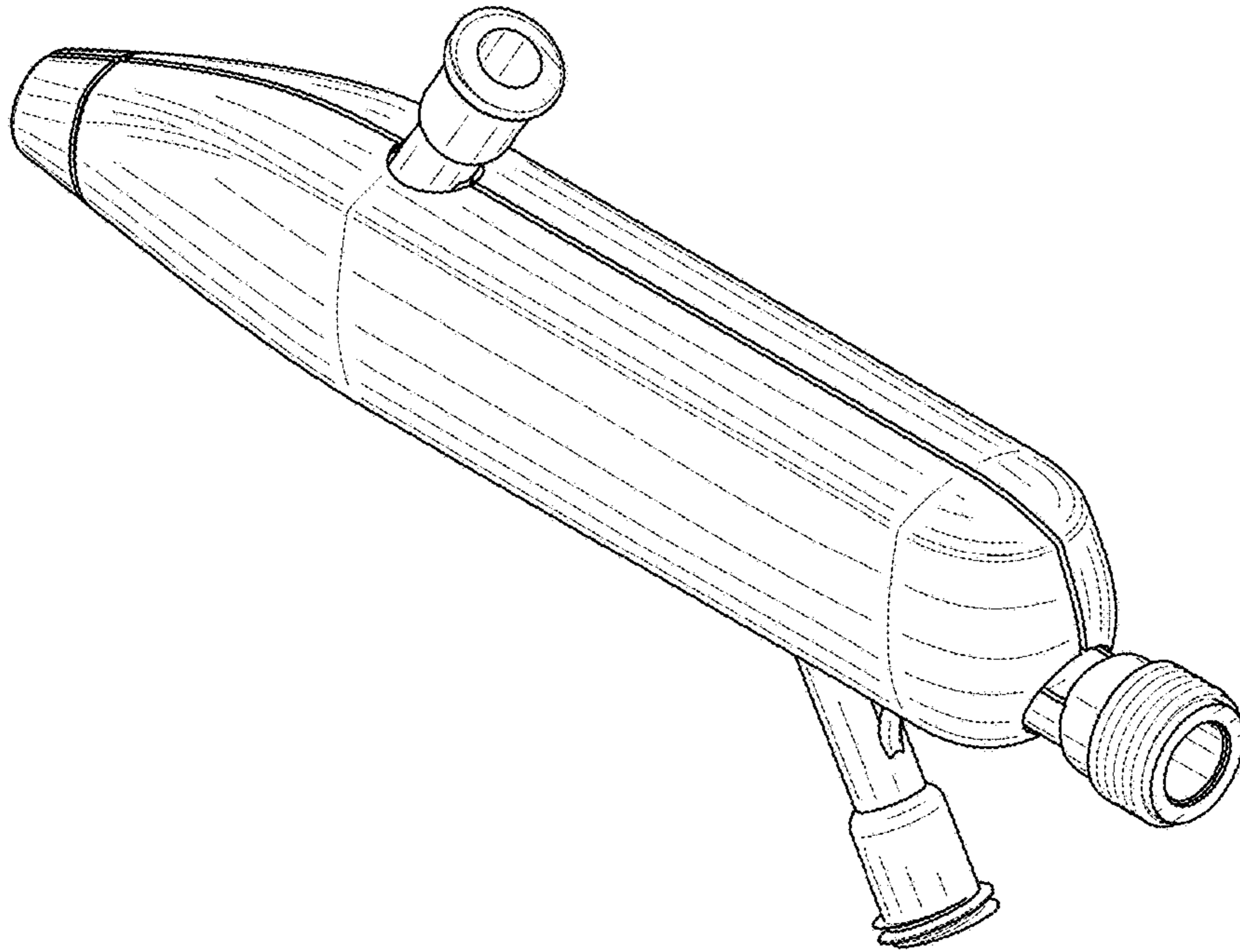


FIG. 2

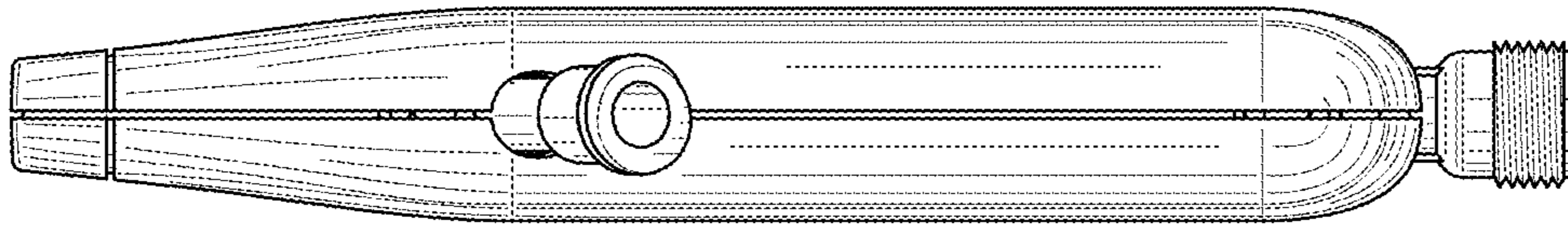


FIG. 3

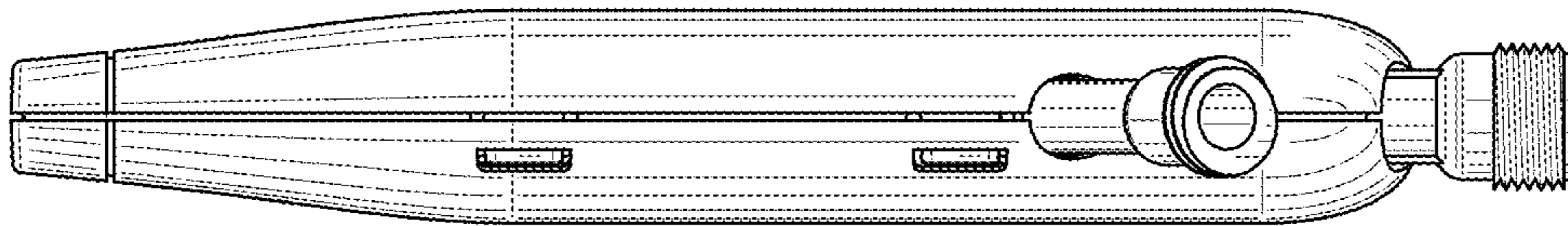


FIG. 4

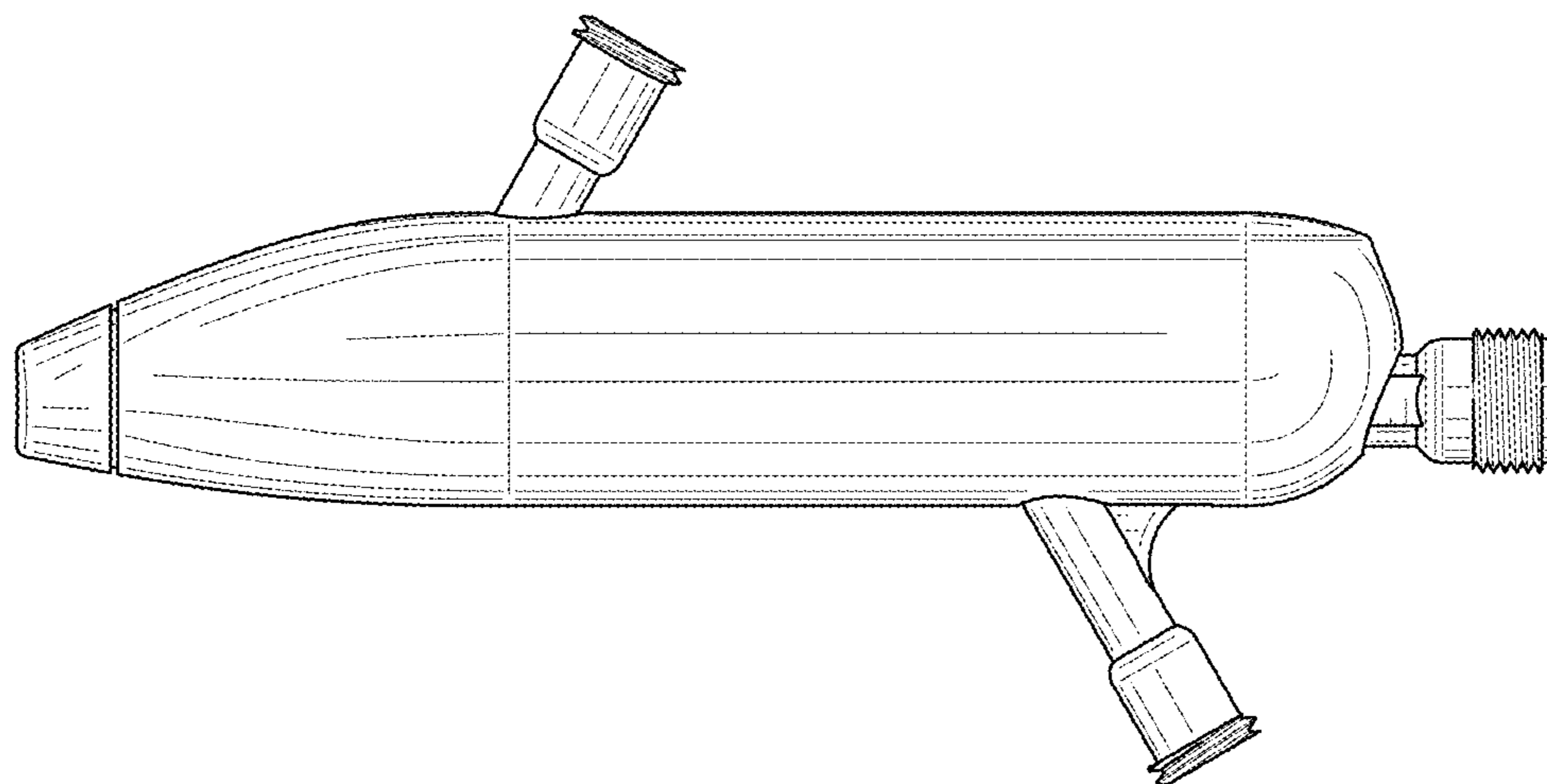


FIG. 5

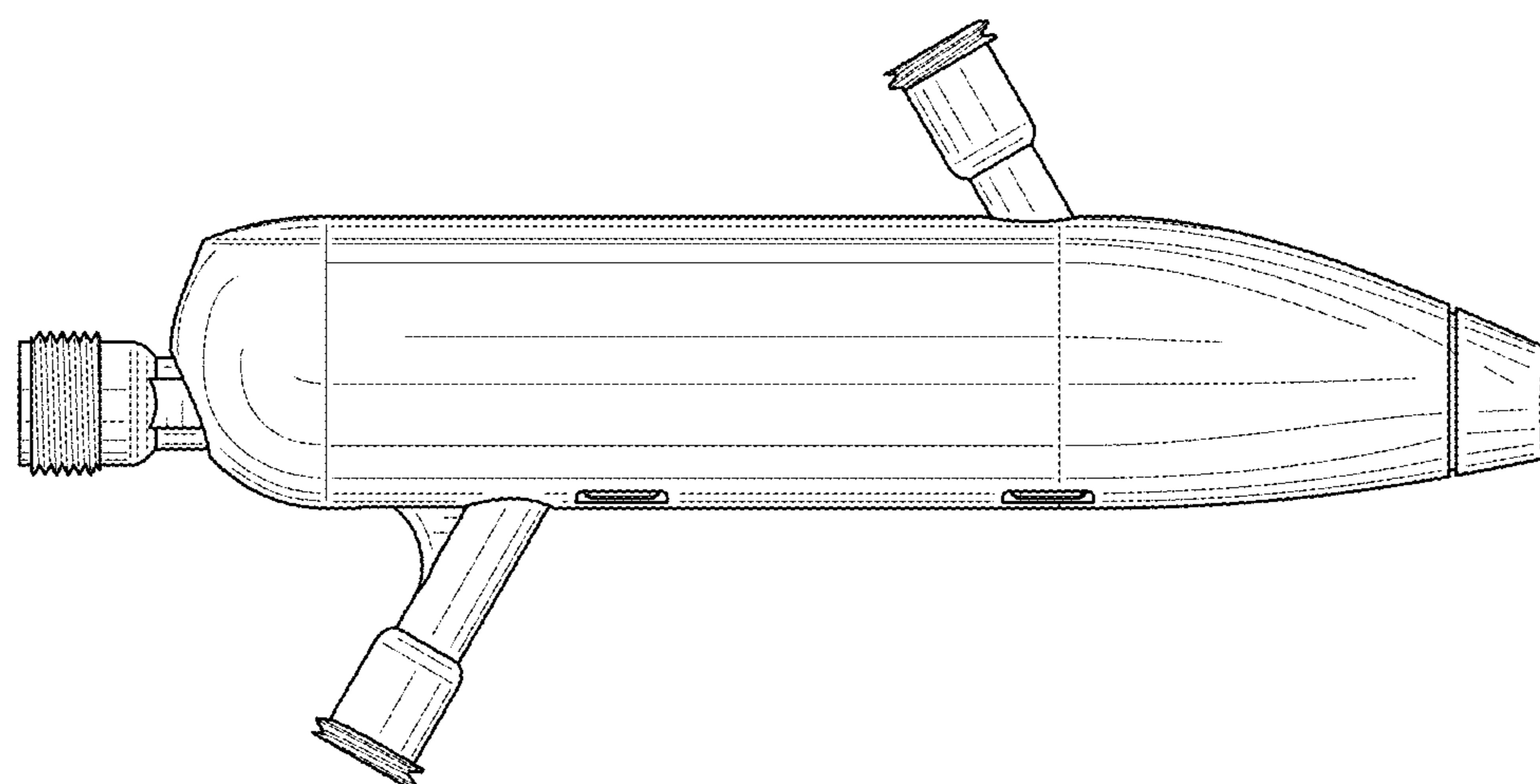


FIG. 6

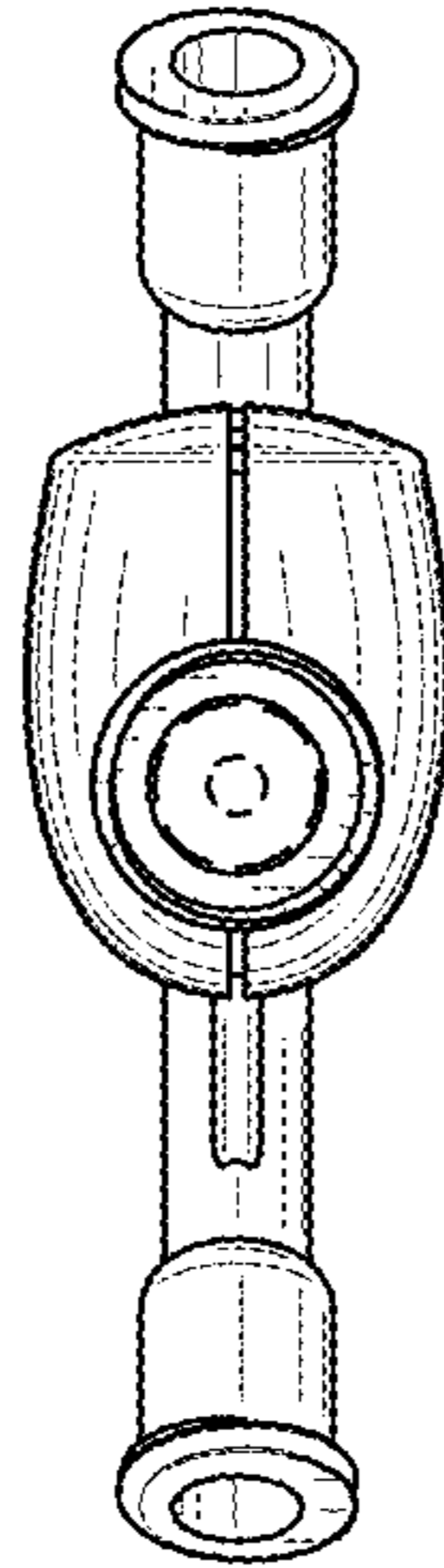


FIG. 7

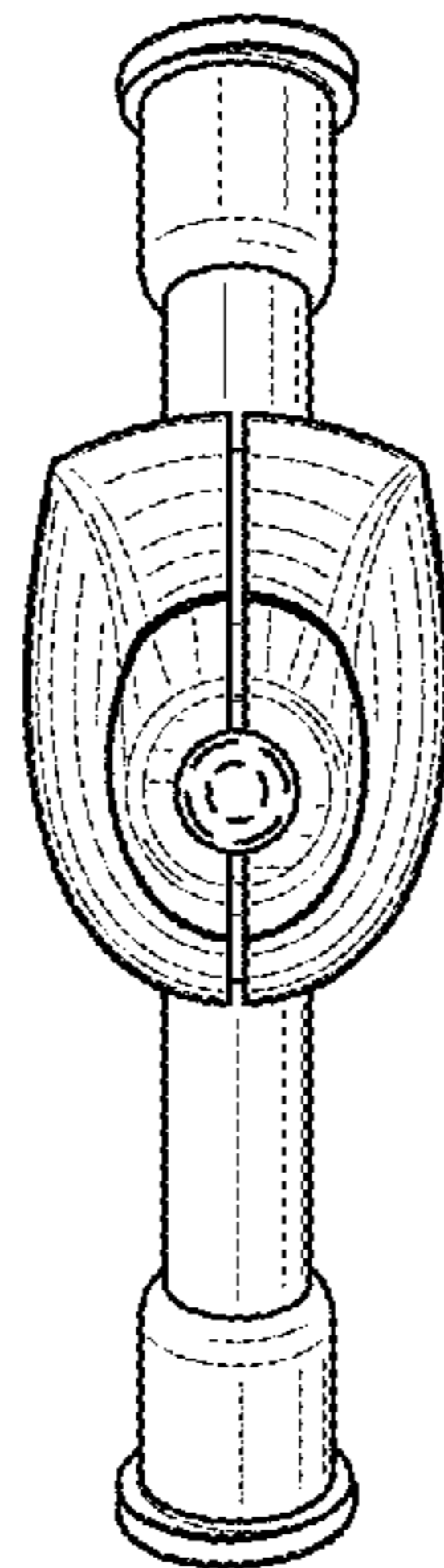


FIG. 8