



US00D790056S

(12) **United States Design Patent**
Colston

(10) **Patent No.:** **US D790,056 S**

(45) **Date of Patent:** **** Jun. 20, 2017**

- (54) **SYRINGE MAGNIFIER**
- (71) Applicant: **Rowena Barney Colston**, Midway, FL (US)
- (72) Inventor: **Rowena Barney Colston**, Midway, FL (US)
- (**) Term: **15 Years**
- (21) Appl. No.: **29/505,829**
- (22) Filed: **Apr. 11, 2016**
- (51) **LOC (10) Cl.** **24-02**
- (52) **U.S. Cl.**
USPC **D24/130**
- (58) **Field of Classification Search**
USPC D24/127–131, 112–114, 133, 186;
606/181, 185; 604/264, 523–528, 272,
604/187, 158, 164.01–164.11, 181, 184,
604/227, 207, 197; 600/101, 139, 143;
128/101, 139, 143; 359/440–442
CPC A61M 5/3129; A61M 2205/585; A61M
2205/583
See application file for complete search history.

- 5,074,848 A * 12/1991 Burt A61M 5/3205
128/919
- D469,530 S * 1/2003 Gomez D24/128
- 6,621,629 B2 * 9/2003 Blumenthal G02B 25/002
359/440
- 6,936,034 B2 * 8/2005 Watkins A61M 5/3243
359/441
- D592,303 S * 5/2009 Chesnin D24/128
- D612,045 S * 3/2010 Sarvazyan D24/133
- D624,645 S * 9/2010 Shaffer D24/129
- D629,514 S * 12/2010 Bierman D24/128
- D640,373 S * 6/2011 Sobiech D24/133
- D649,242 S * 11/2011 Kosinski D24/129
- D690,417 S * 9/2013 Solomon D24/114
- 8,636,702 B2 * 1/2014 Schiller A61M 5/31511
604/181
- D760,385 S * 6/2016 McKee D24/128

* cited by examiner

Primary Examiner — David Muller

(57) **CLAIM**

The ornamental design for a “syringe magnifier,” as shown and described.

DESCRIPTION

FIG. 1 is a perspective view of a syringe magnifier, showing my design;

FIG. 2 is a perspective view of a syringe magnifier, showing my design;

FIG. 3 is a right side elevation view of FIG. 1;

FIG. 4 is a left side elevation view of FIG. 1;

FIG. 5 is a top plan view of FIG. 1;

FIG. 6 is a bottom plan view of FIG. 1; and,

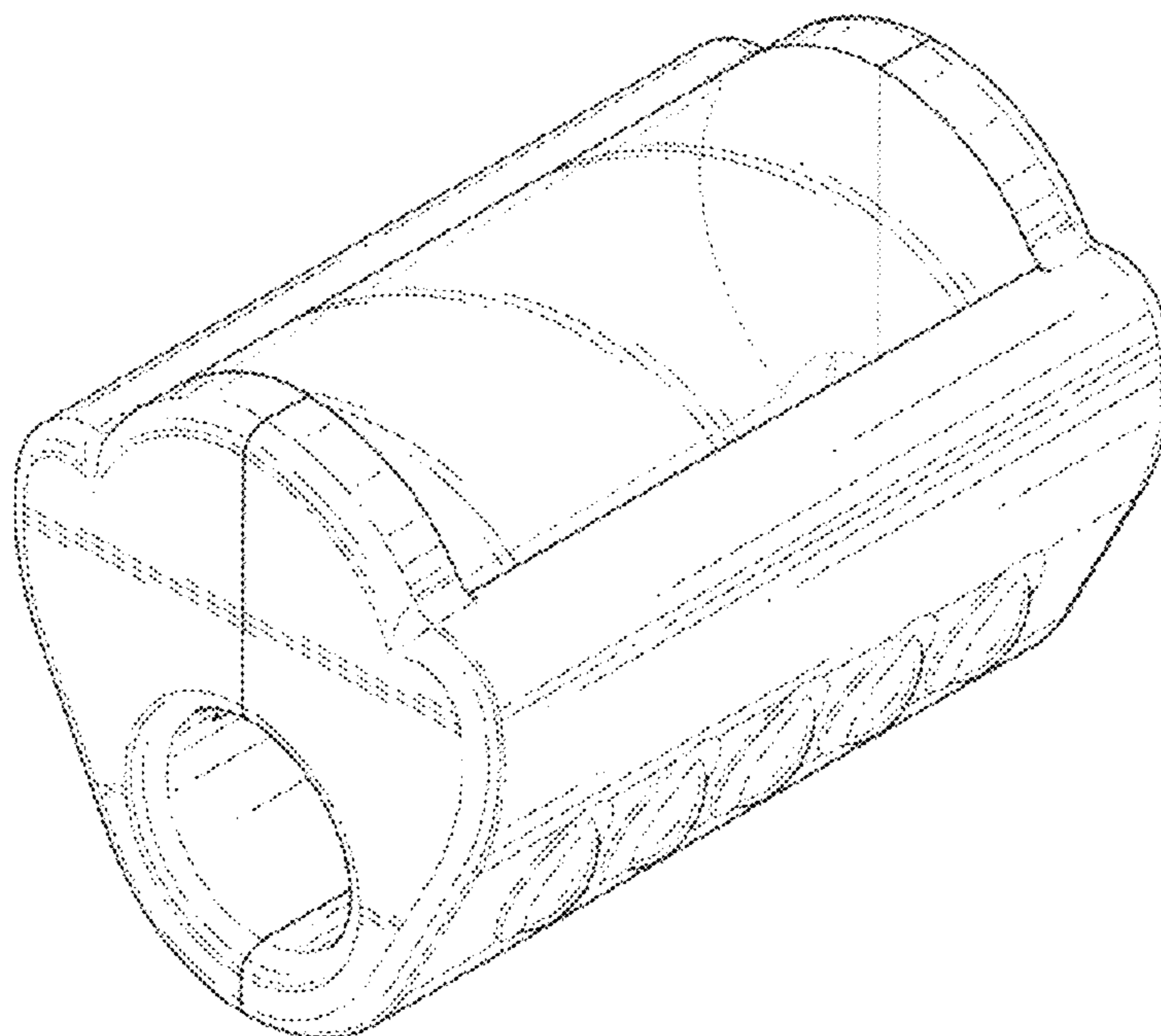
FIG. 7 is a front elevation view of FIG. 1.

1 Claim, 4 Drawing Sheets

(56) **References Cited**

U.S. PATENT DOCUMENTS

- 2,586,581 A * 2/1952 Tschischeck A61M 5/3129
235/70 B
- 3,762,799 A * 10/1973 Shapiro G01B 9/00
359/442
- D280,018 S * 8/1985 Scott D24/130
- 4,743,234 A * 5/1988 Leopoldi A61M 5/3129
604/187
- D302,726 S * 8/1989 Schwobel D24/114



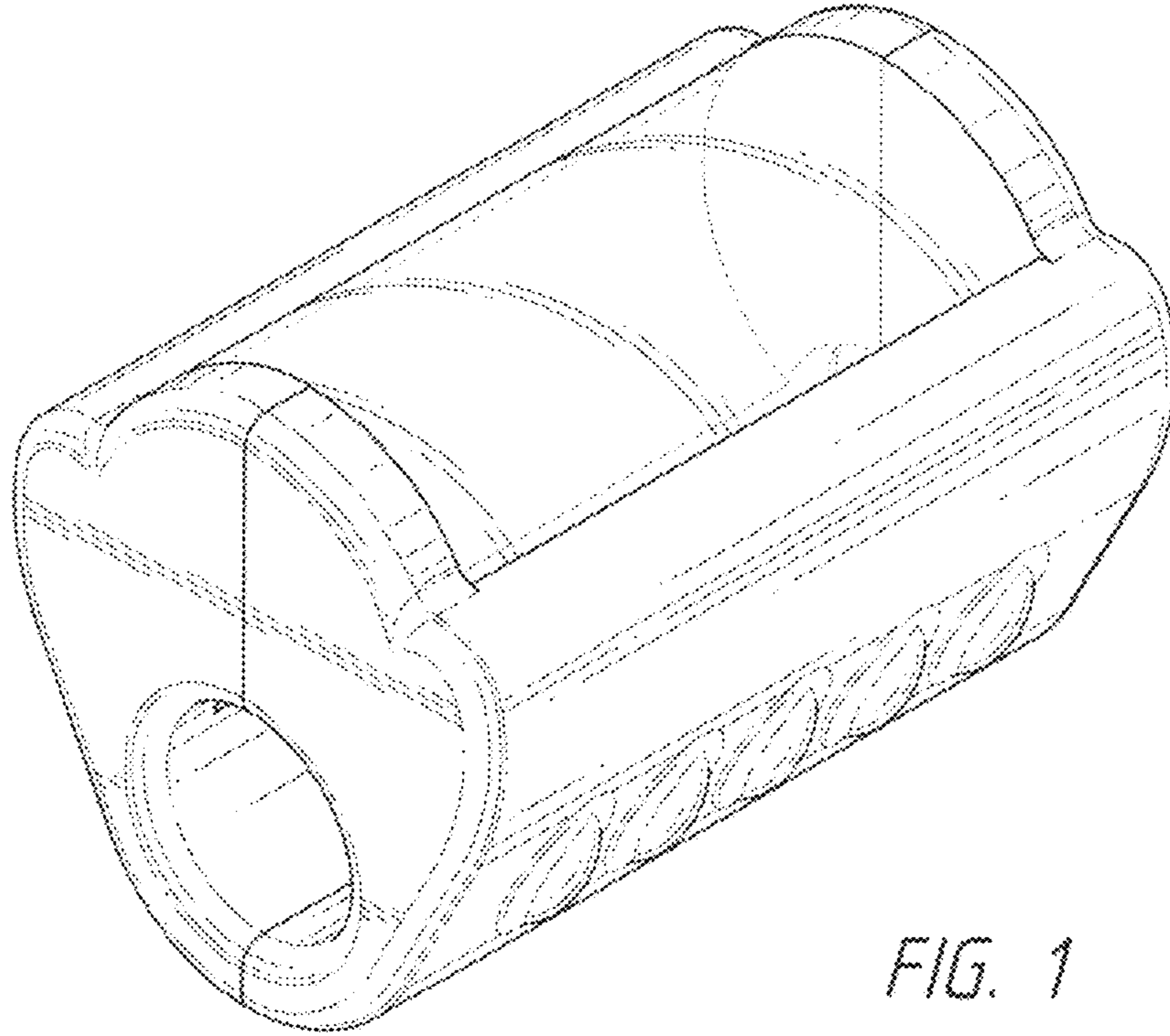


FIG. 1

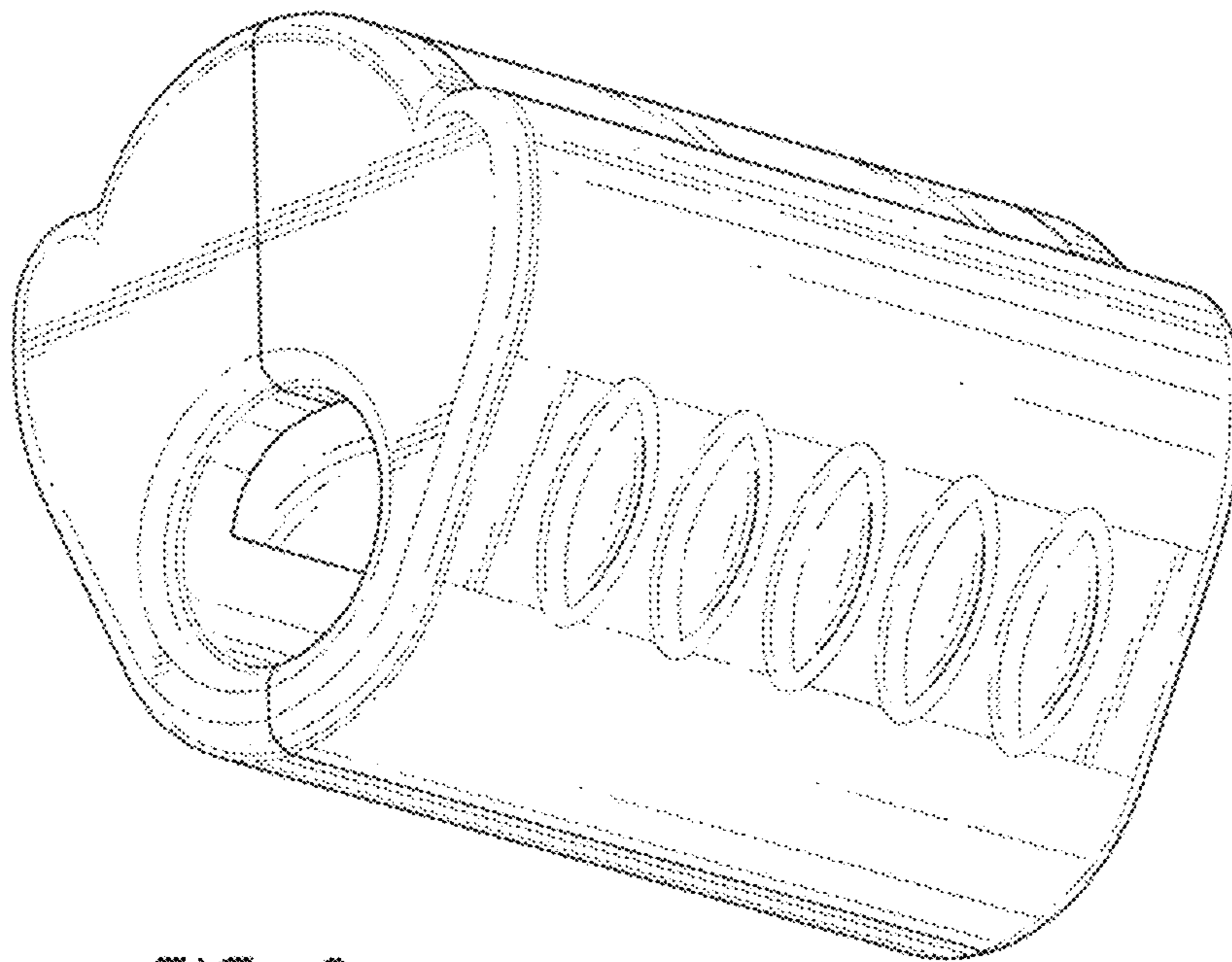


FIG. 2

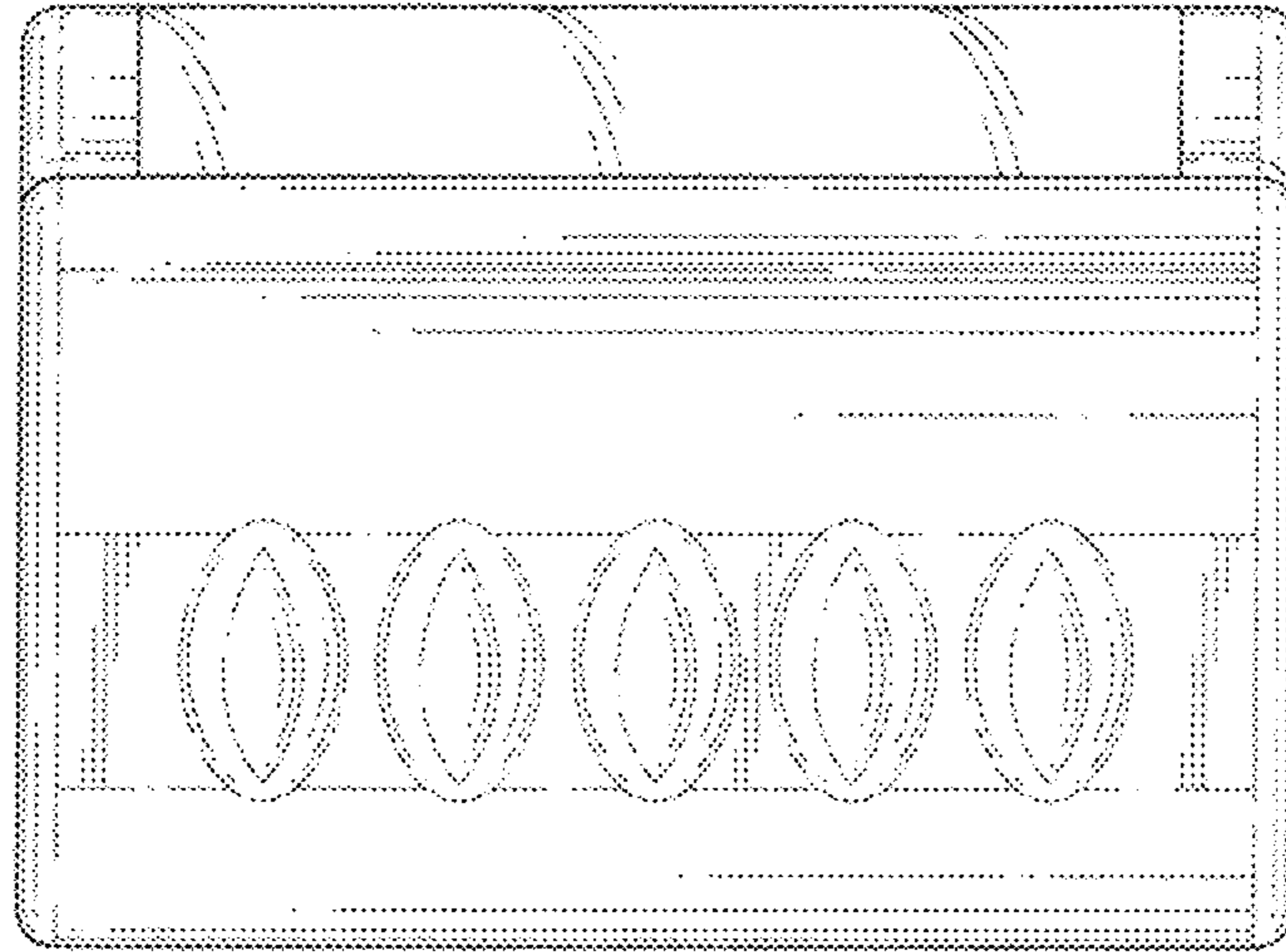


FIG. 3

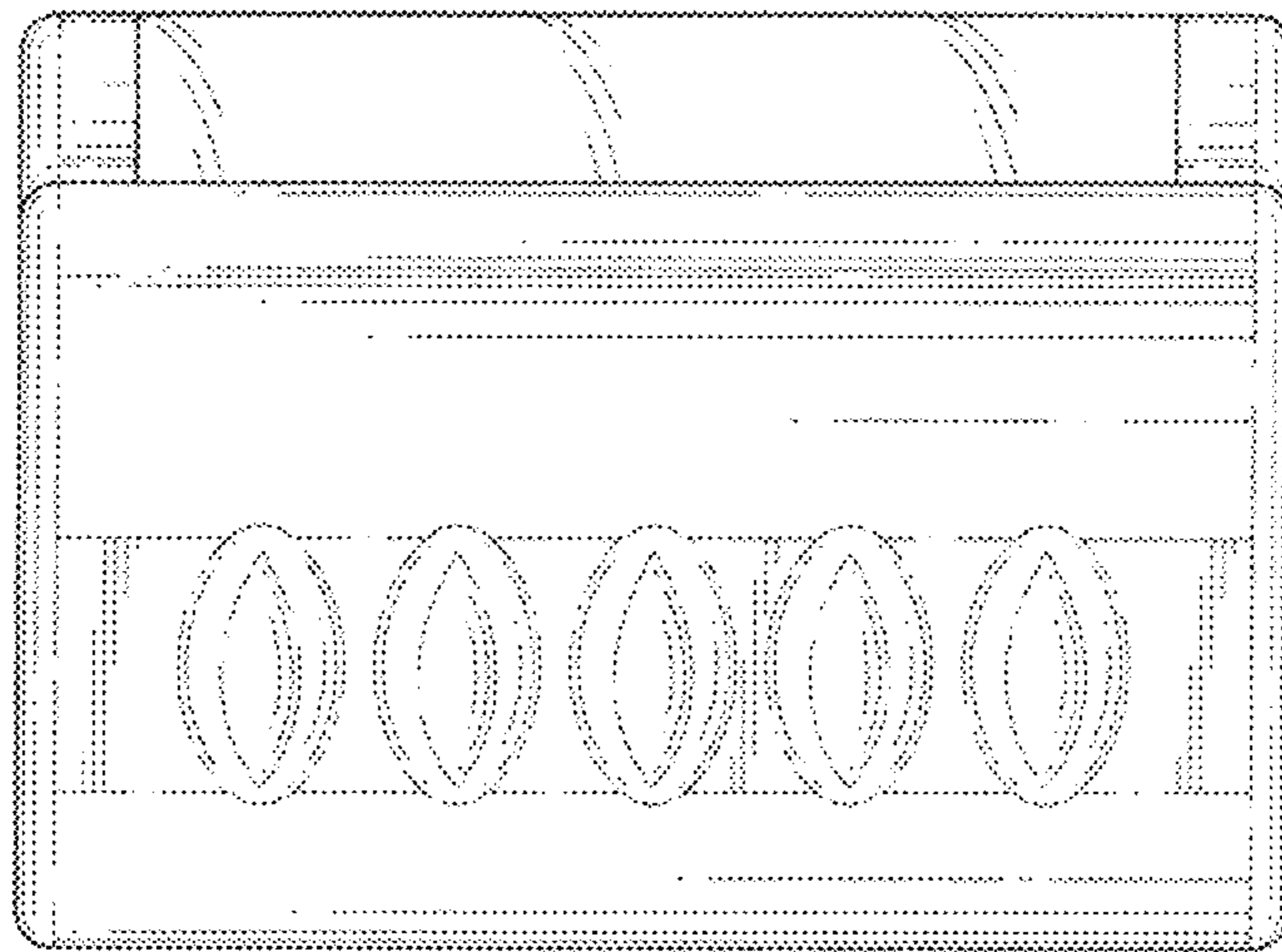


FIG. 4

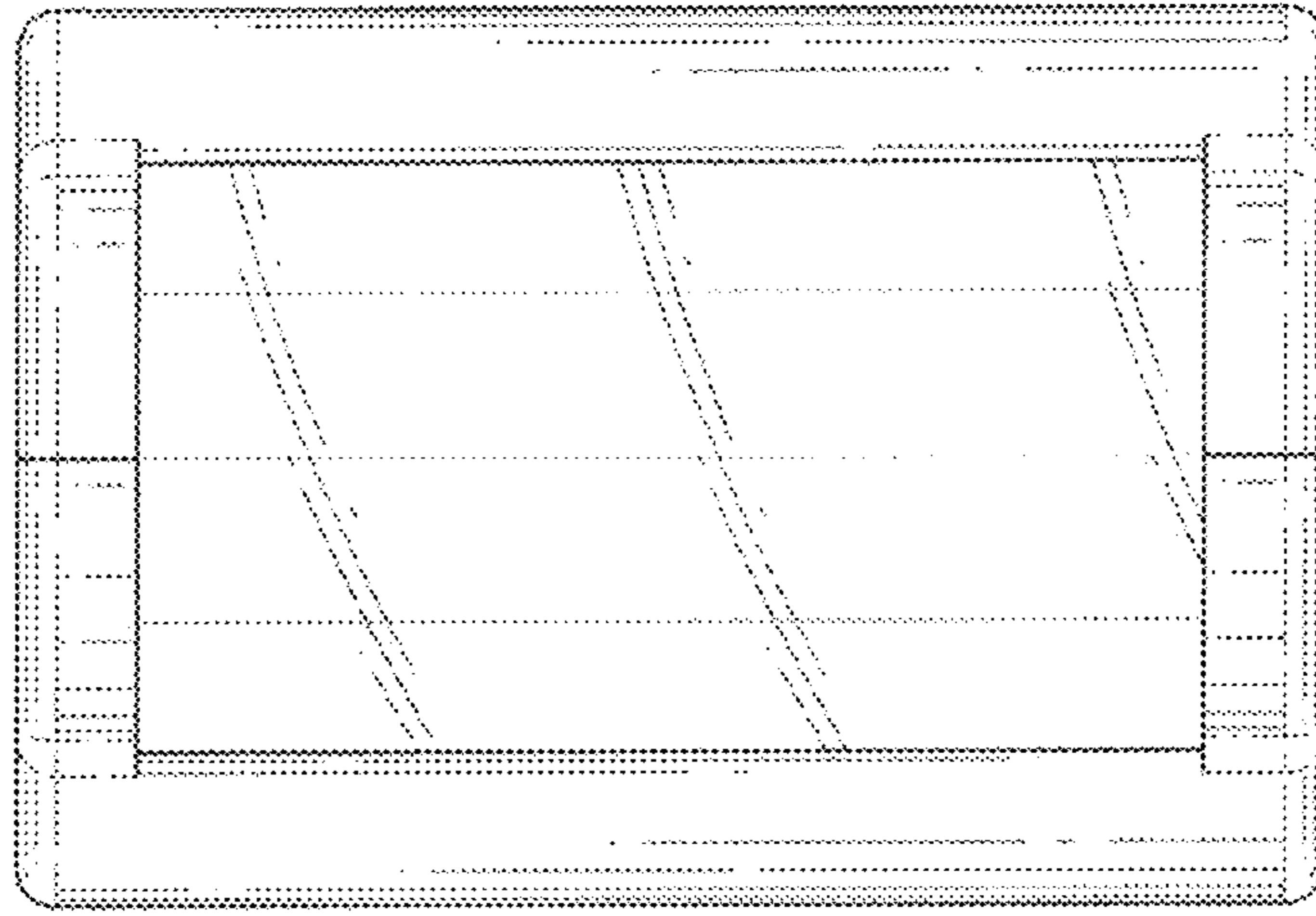


FIG. 5

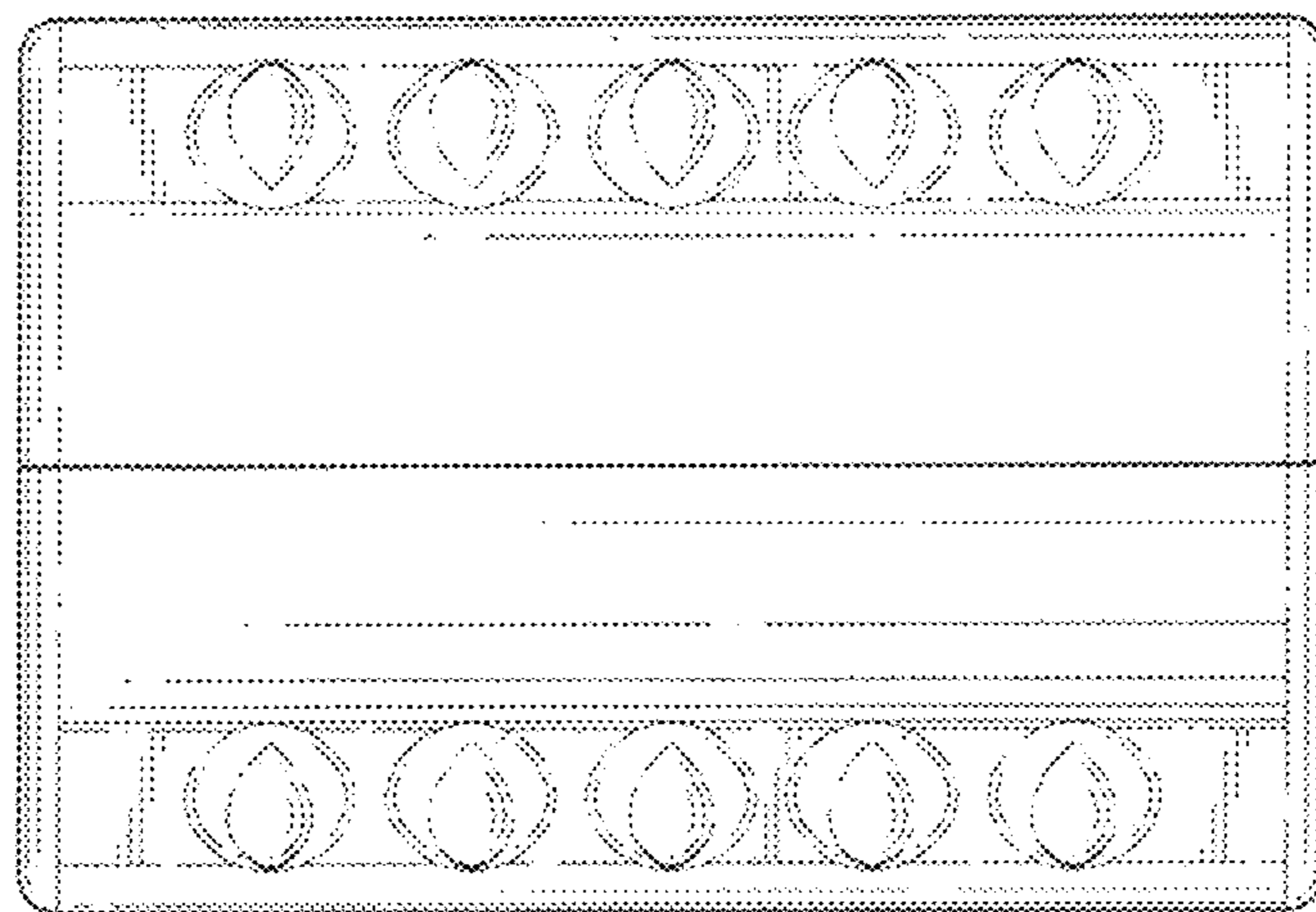


FIG. 6

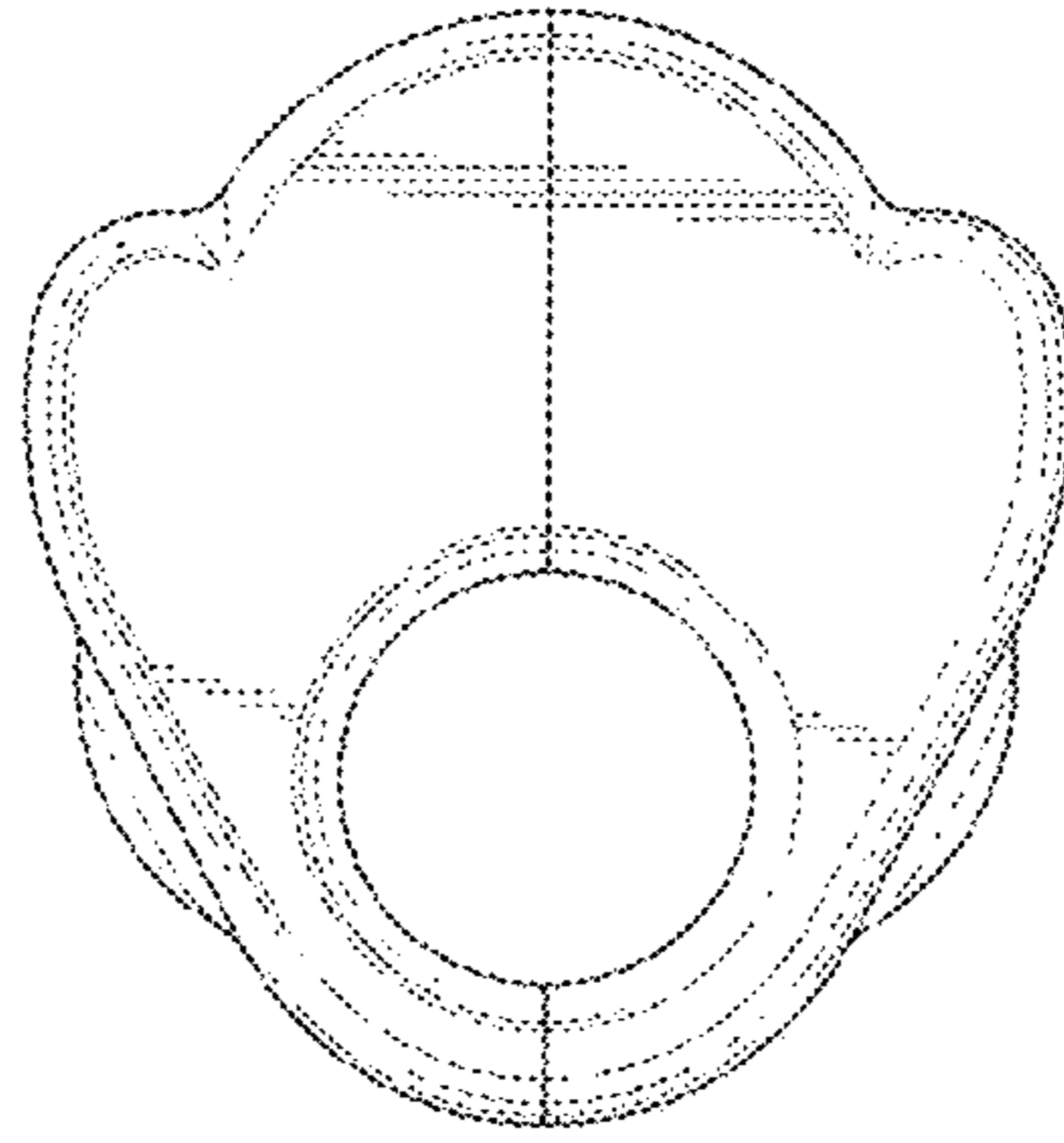


FIG. 7

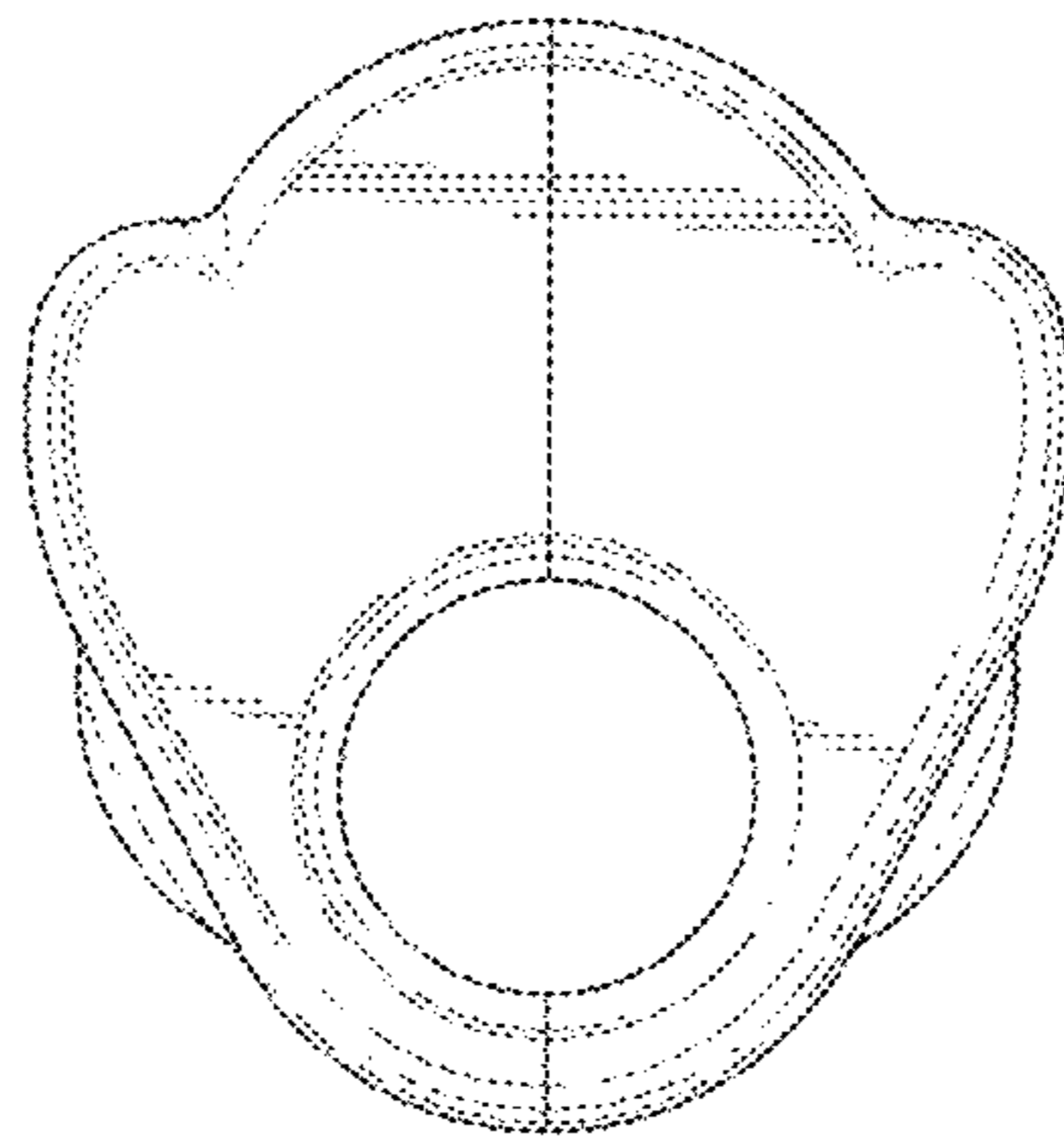


FIG. 8