



US00D790053S

(12) **United States Design Patent**  
**Querrey et al.**

(10) **Patent No.: US D790,053 S**  
(45) **Date of Patent: \*\* Jun. 20, 2017**

(54) **CHROMATOGRAPH EXHAUST VENT BACK PRESSURE DIFFUSER**

(71) Applicant: **Mustang Sampling, LLC**,  
Ravenswood, WV (US)

(72) Inventors: **Timothy L. Querrey**, Murraysville,  
WV (US); **Claude A. Rolston**, St.  
Marys, WV (US); **Kenneth O.  
Thompson**, Ravenswood, WV (US)

(73) Assignee: **Mustang Sampling, LLC**,  
Ravenswood, WV (US)

(\*\*) Term: **15 Years**

(21) Appl. No.: **29/537,590**

(22) Filed: **Aug. 27, 2015**

(51) **LOC (10) Cl. .... 23-04**

(52) **U.S. Cl.**  
USPC ..... **D23/393**

(58) **Field of Classification Search**

USPC ..... D14/356; D10/93, 104.1, 108, 114;  
D8/4, 25, 52; D17/20, 22, 23; D23/323,  
D23/328, 333, 335, 336, 337, 341, 352,  
D23/357, 370, 385, 386, 397, 399, 400,  
D23/406, 411, 413, 499, 382, 388, 391,  
D23/392, 393, 394, 395; D13/182  
CPC ..... H01R 13/5213; B60Q 1/04; B60Q 1/26;  
G10D 3/006; G10D 13/023; G10D  
13/027; B25B 15/001; G10H 3/143;  
G10H 3/181; G10G 5/005; A42B 1/04;  
B64C 11/04; B64C 11/16; B64C 11/18;  
B64C 11/20; B64C 2001/009; F03D  
3/062; F03D 11/04; F04D 19/002; F04D  
25/068; F04D 25/088;

(Continued)

(56) **References Cited**

U.S. PATENT DOCUMENTS

1,509,996 A 9/1924 Elting  
1,953,120 A \* 4/1934 Miller ..... F01N 3/08  
239/402.5

(Continued)

OTHER PUBLICATIONS

Stauff Ruckstromverteiler SRV, image post date Sep. 5, 2013, site visited Feb. 27, 2017, (online), <<http://web.archive.org/web/20130905190053/http://www.stauff.com/index.php?id=4122>>.\*

(Continued)

*Primary Examiner* — Kevin Rudzinski

*Assistant Examiner* — Sean D Lough

(74) *Attorney, Agent, or Firm* — Cahn & Samuels, LLP

(57) **CLAIM**

The ornamental design for a chromatograph exhaust vent back pressure diffuser, as shown and described.

**DESCRIPTION**

FIG. 1 is a top perspective view of the ornamental chromatograph exhaust vent back pressure diffuser design of the invention.

FIG. 2 is a bottom perspective view of the ornamental chromatograph exhaust vent back pressure diffuser design of FIG. 1.

FIG. 3 is a front view of the ornamental chromatograph exhaust vent back pressure diffuser design of FIG. 1.

FIG. 4 is a back view of the ornamental chromatograph exhaust vent back pressure diffuser design of FIG. 1.

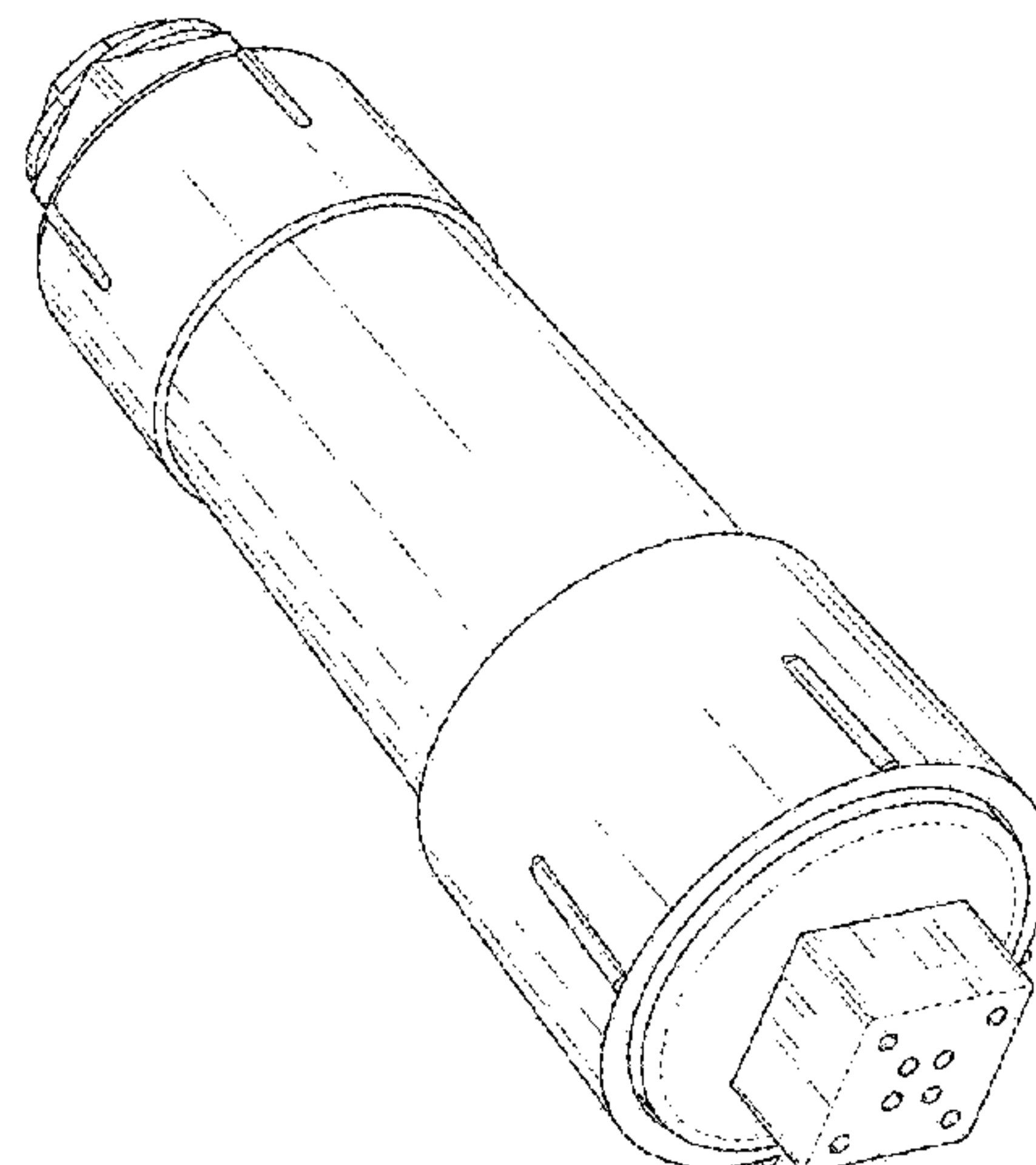
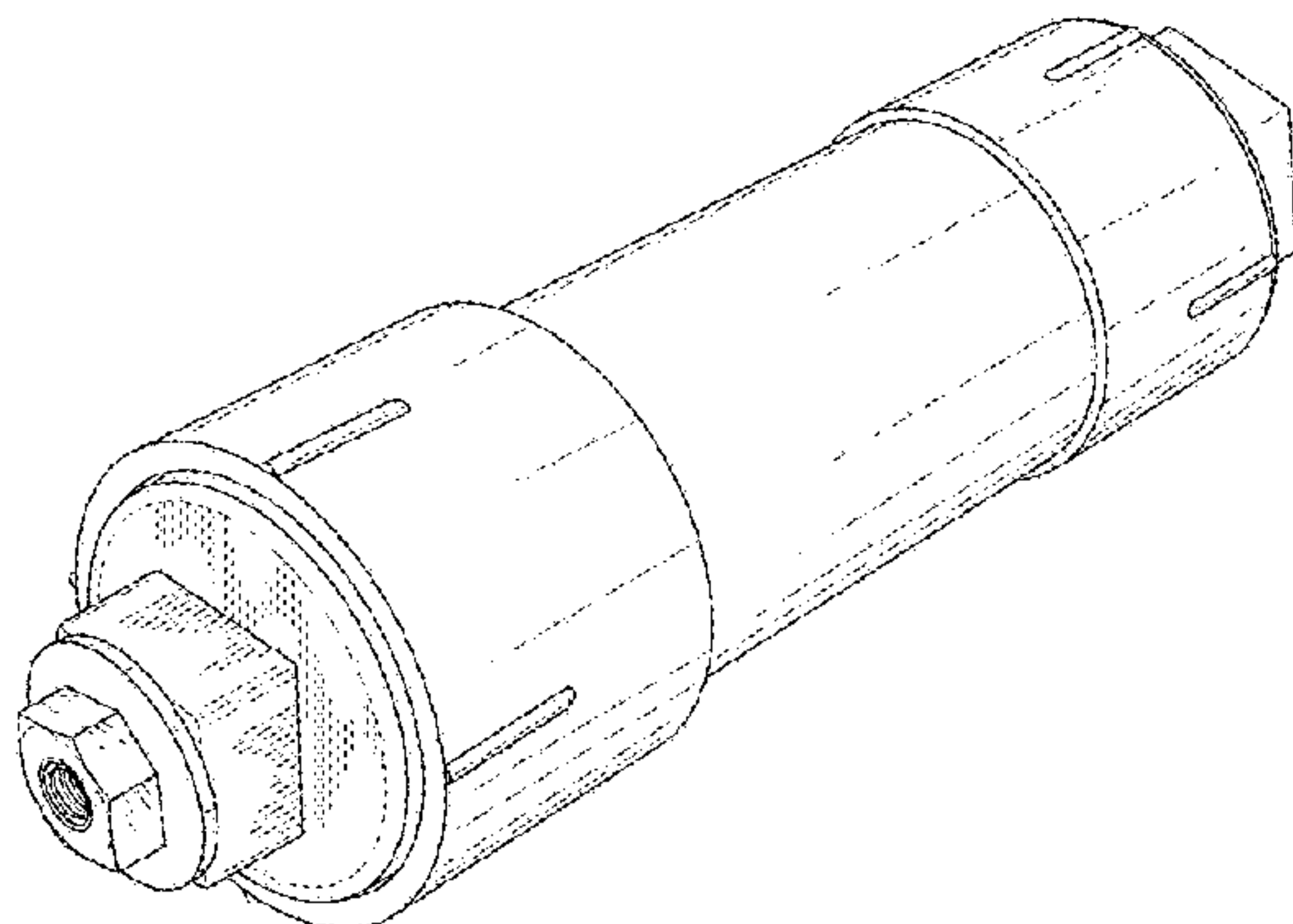
FIG. 5 is a first side view of the ornamental chromatograph exhaust vent back pressure diffuser design of FIG. 1.

FIG. 6 is a second side view of the ornamental chromatograph exhaust vent back pressure diffuser of FIG. 1.

FIG. 7 is a top view of the ornamental chromatograph exhaust vent back pressure diffuser design of FIG. 1; and,

FIG. 8 is a bottom view of the ornamental chromatograph exhaust vent back pressure diffuser design of FIG. 1.

**1 Claim, 4 Drawing Sheets**



(58) **Field of Classification Search**

CPC ..... F24F 1/0018; F24F 13/24; B64D 13/02;  
 B64D 13/00; E04C 2/427; E06B 3/5892;  
 E06B 7/02; B24B 37/04; E04F 17/00;  
 E21F 1/04; F01P 1/02; F17C 13/04;  
 F22B 1/1876; F22B 1/22; F22B 3/04  
 See application file for complete search history.

(56) **References Cited**

U.S. PATENT DOCUMENTS

1,990,520 A \* 2/1935 Binger ..... E06B 7/02  
 181/287  
 2,470,623 A 5/1949 Kice  
 2,511,420 A \* 6/1950 Thompson ..... B01F 3/04446  
 15/322  
 2,584,845 A \* 2/1952 Crawley ..... F17C 13/04  
 285/122.1  
 2,640,413 A 6/1953 Reed  
 2,650,112 A \* 8/1953 Kinkead ..... E04F 17/00  
 285/123.16  
 2,998,733 A \* 9/1961 Thompson ..... G05G 5/04  
 192/141  
 3,072,109 A \* 1/1963 Zoschak ..... F22B 1/22  
 122/478  
 3,205,913 A \* 9/1965 Ehlers ..... F16L 9/128  
 138/109  
 D205,001 S \* 6/1966 Englesberg ..... D23/209  
 3,550,061 A \* 12/1970 Sukup ..... H01R 39/00  
 439/26  
 4,272,312 A \* 6/1981 Thompson ..... B29C 47/0021  
 156/244.11  
 4,506,522 A \* 3/1985 Swaney ..... B64D 13/00  
 123/195 A  
 D349,563 S \* 8/1994 Henszey ..... D23/314  
 5,530,766 A \* 6/1996 Hong ..... F24F 13/24  
 381/71.3  
 D430,482 S \* 9/2000 Stout, Jr. .... D23/262  
 D462,436 S 9/2002 Bennett et al.  
 6,647,977 B2 11/2003 Lesage  
 D492,025 S \* 6/2004 Stout, Jr. .... D23/393  
 6,837,145 B1 \* 1/2005 McBride ..... F15B 13/0402  
 137/625.66  
 7,074,121 B2 7/2006 Zhou et al.  
 D533,840 S \* 12/2006 Park ..... D13/151  
 D535,625 S \* 1/2007 Park ..... D13/151  
 D587,360 S \* 2/2009 Sakairi ..... D23/365  
 D587,361 S \* 2/2009 Sakairi ..... D23/365  
 D593,662 S \* 6/2009 Chen ..... D23/317  
 D637,705 S \* 5/2011 Park ..... D23/360  
 D672,863 S \* 12/2012 Romero Carreras ..... D23/370

8,403,137 B2 \* 3/2013 Gray ..... B65D 5/0227  
 206/321  
 D723,667 S \* 3/2015 Locke ..... D23/266  
 D724,185 S \* 3/2015 Chiproot ..... D23/262  
 D726,869 S \* 4/2015 Lepine ..... D23/209  
 D728,356 S \* 5/2015 Kury ..... D8/397  
 D734,659 S \* 7/2015 Ziaylek ..... D12/133  
 D735,313 S \* 7/2015 Horiguchi ..... D23/365  
 D736,364 S \* 8/2015 Horiguchi ..... D23/365  
 D738,471 S \* 9/2015 Melo ..... D23/262  
 D747,451 S \* 1/2016 Badovick ..... D23/370  
 D748,237 S \* 1/2016 Shibata ..... D23/365  
 9,426,903 B1 \* 8/2016 Morales ..... H05K 5/00  
 D771,792 S \* 11/2016 Smith ..... D23/393  
 2009/0145494 A1 \* 6/2009 Udischas ..... F17C 13/04  
 137/505  
 2010/0024904 A1 \* 2/2010 Hoffman ..... F17C 13/04  
 137/561 R  
 2011/0061742 A1 \* 3/2011 Osteen ..... F17C 13/04  
 137/14  
 2011/0189440 A1 \* 8/2011 Appleby ..... B22C 9/04  
 428/156  
 2013/0051999 A1 2/2013 Wenger et al.  
 2013/0061973 A1 \* 3/2013 Zerbes ..... F16L 9/12  
 138/109  
 2014/0144254 A1 \* 5/2014 Thompson ..... G01N 1/2247  
 73/863.11  
 2014/0263376 A1 \* 9/2014 Rolston ..... F17C 13/00  
 220/694  
 2016/0301916 A1 \* 10/2016 Zhang ..... G06T 7/73  
 2017/0035326 A1 \* 2/2017 King-Smith ..... A61B 5/097

OTHER PUBLICATIONS

Baffles Systems, image post date 2014, site visited Feb. 27, 2017, (online), <<http://www.exportersindia.com/baffles-systems/products.htm>>.\*  
 Vent Silencer for BLNG Project, image post date Apr. 28, 2014, site visited Feb. 27, 2017, (online), <<https://ventsilencer.wordpress.com/tag/steam-silencer/>>.\*  
 2-stage Internal Silencer, image post date Jan. 26, 2011, site visited Feb. 27, 2017, (online), <[http://web.archive.org/web/20110126212054/http://cuseservices.net/noise\\_diff.html](http://web.archive.org/web/20110126212054/http://cuseservices.net/noise_diff.html)>.\*  
 Indiamart Vent Silencers, image post date Mar. 23, 2013, site visited Feb. 27, 2017, (online), <<http://web.archive.org/web/20130323194012/http://dir.indiamart.com/impcat/vent-silencers.html>>.\*  
 Steam Vent Silencer, image post date Sep. 9, 2010, site visited Feb. 27, 2017, (online), <<https://www.tineye.com/search/fca4e8b8754fac2268b72ed789e088a7e4d25d90/>>.\*

\* cited by examiner



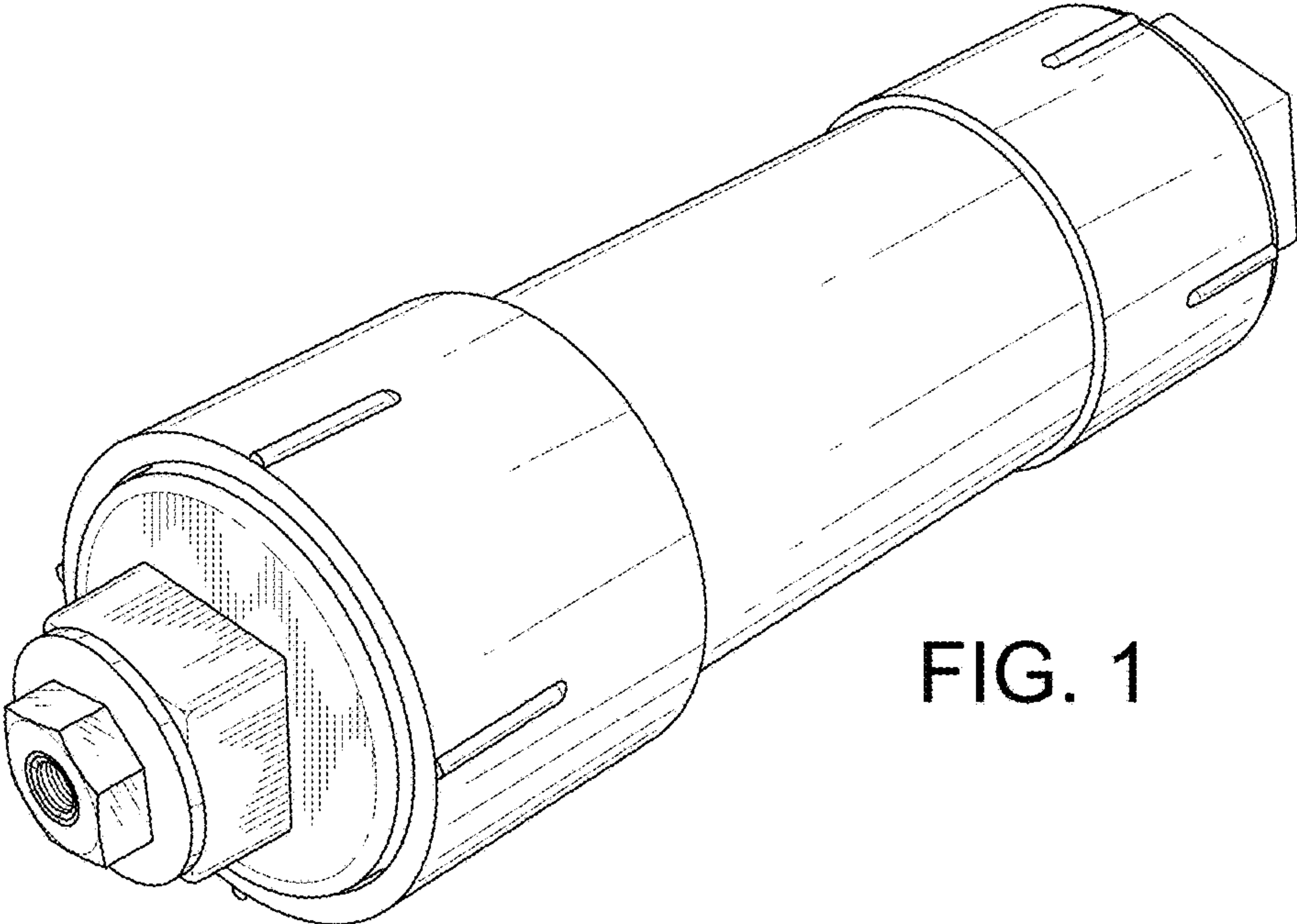


FIG. 1

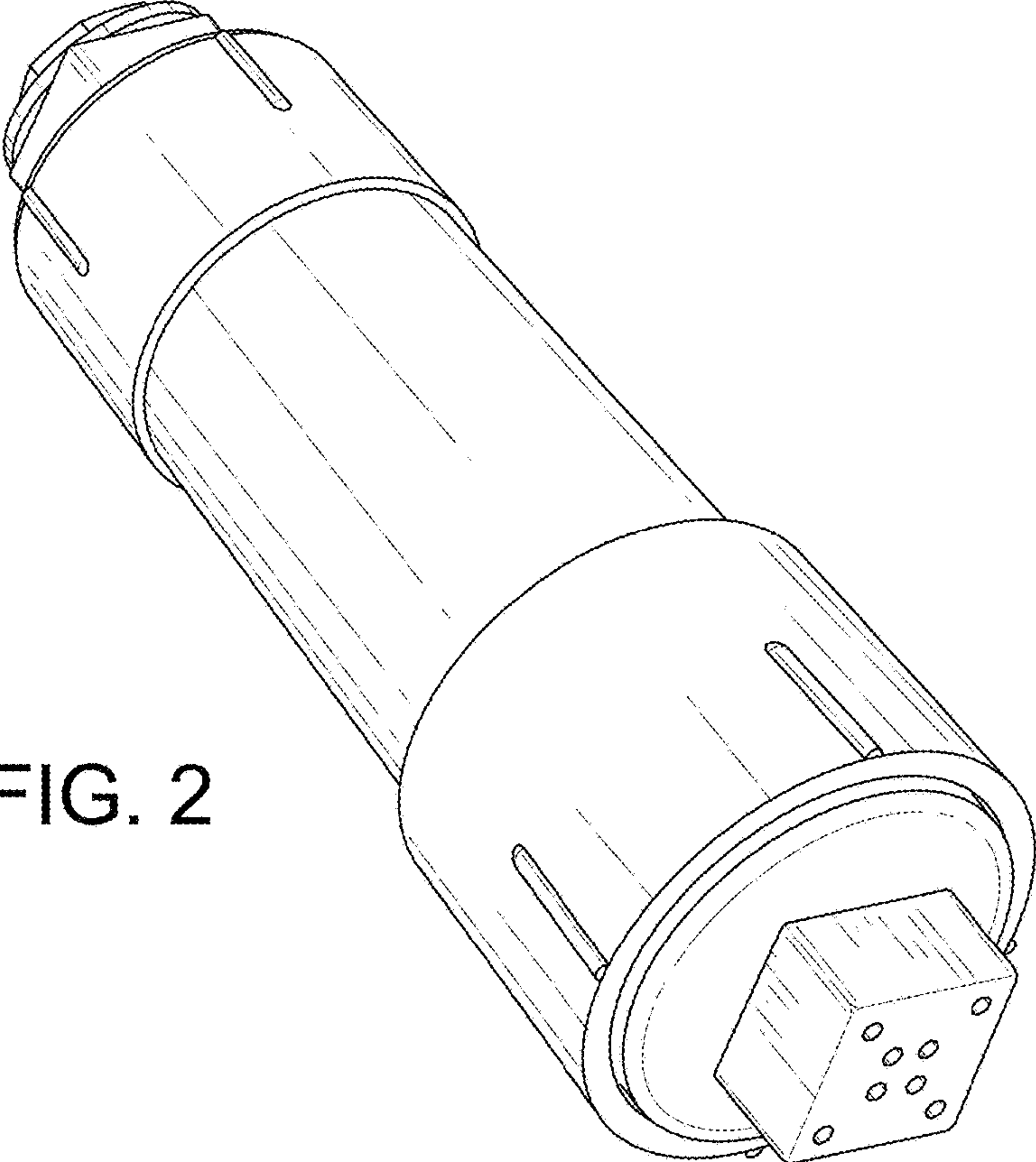
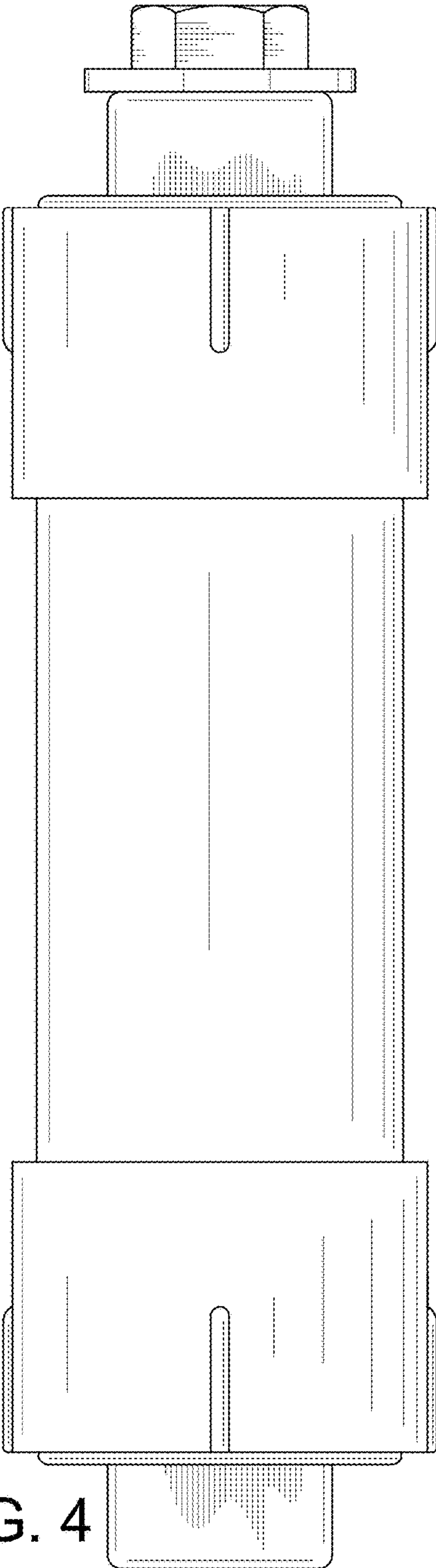
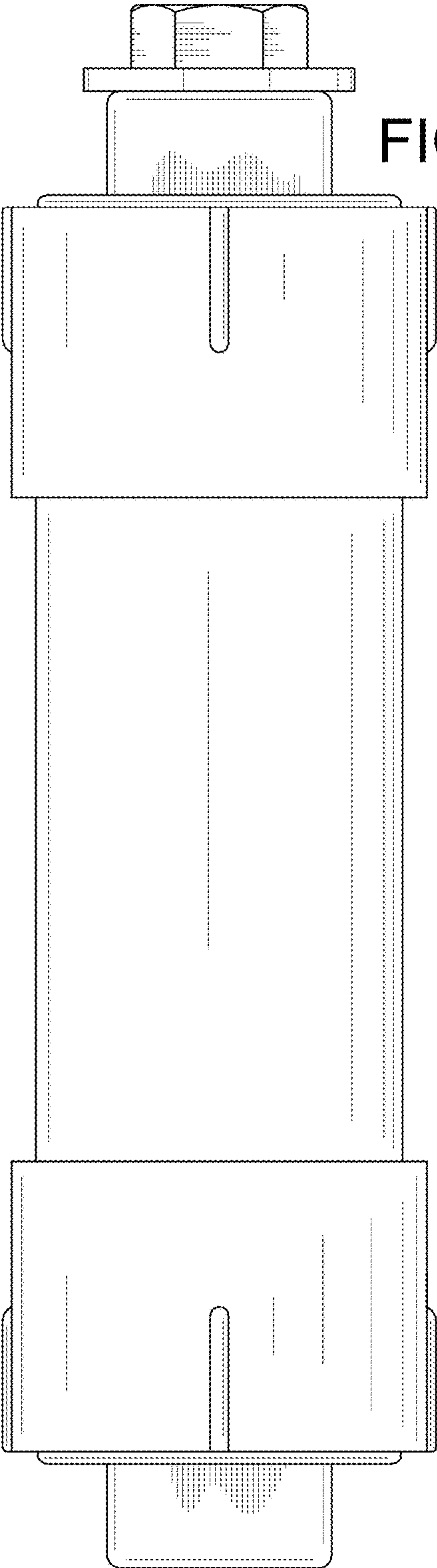


FIG. 2



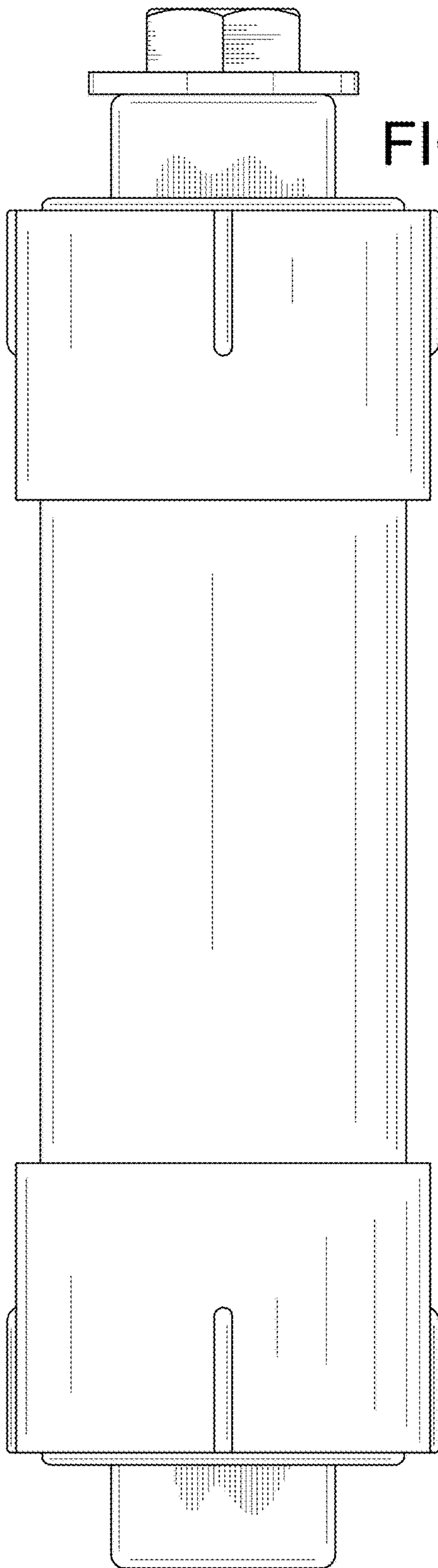


FIG. 5

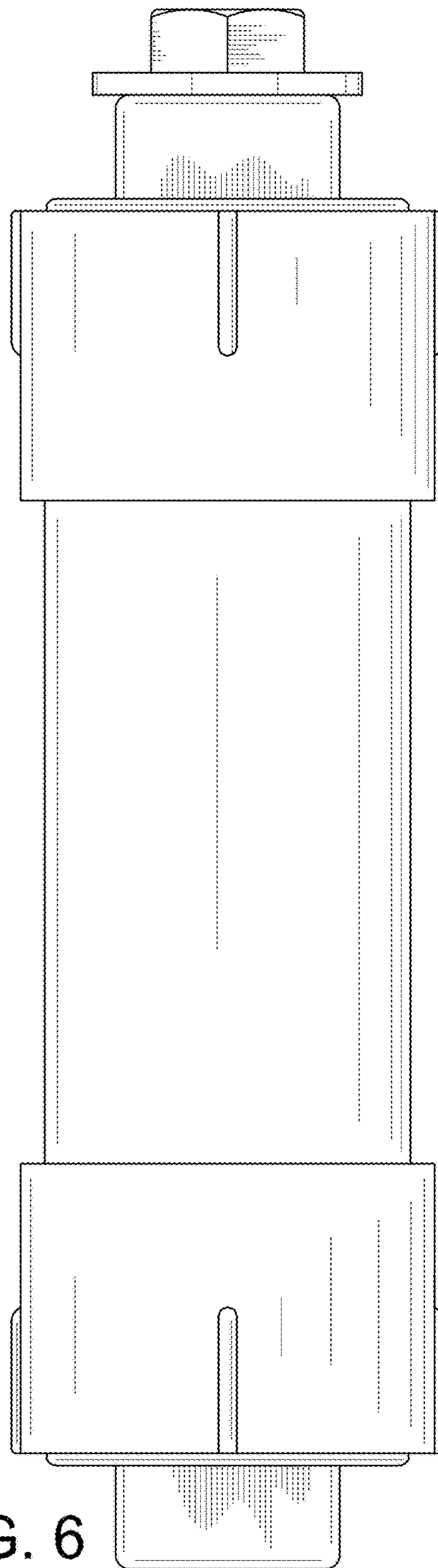


FIG. 6

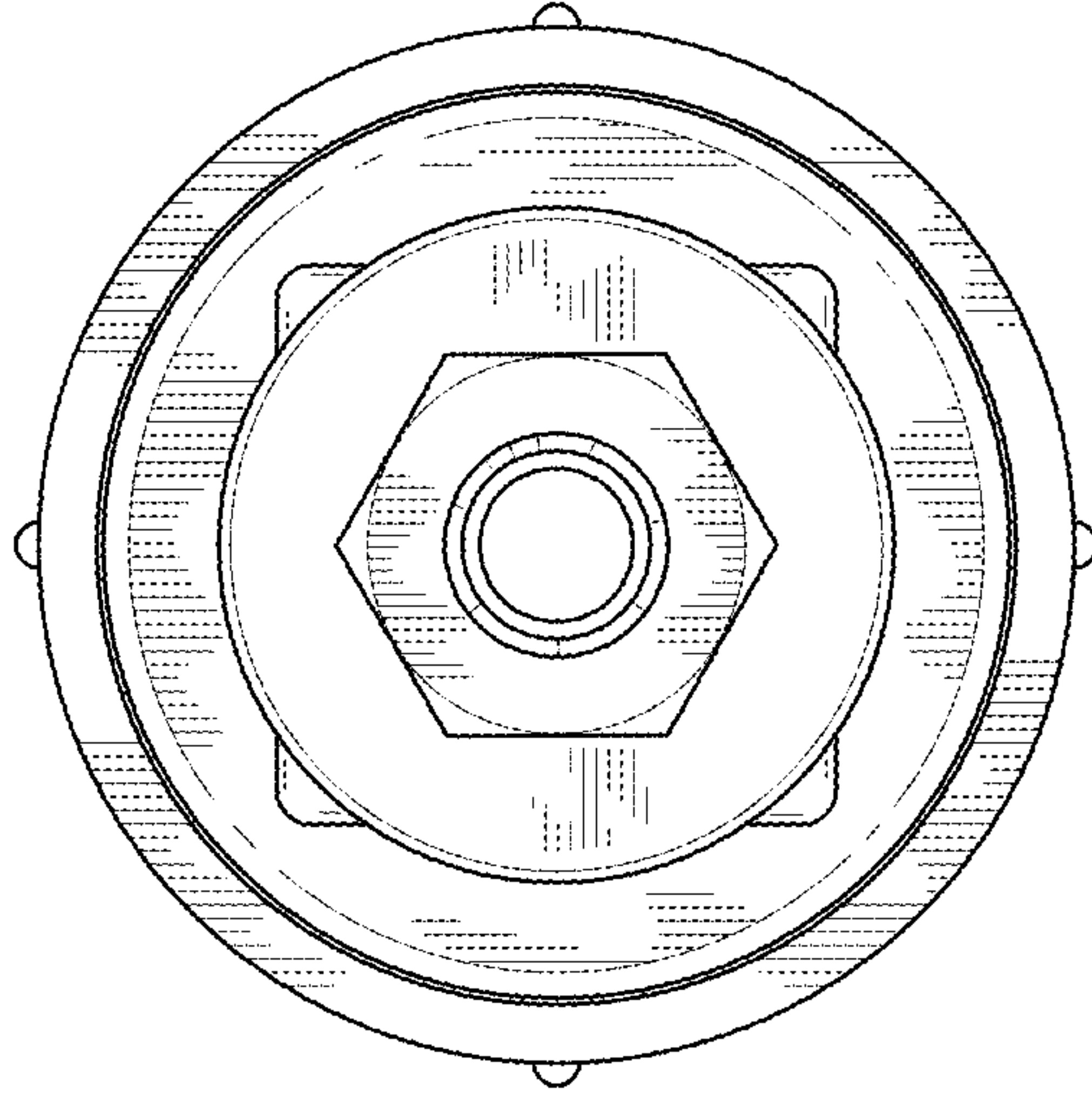


FIG. 7

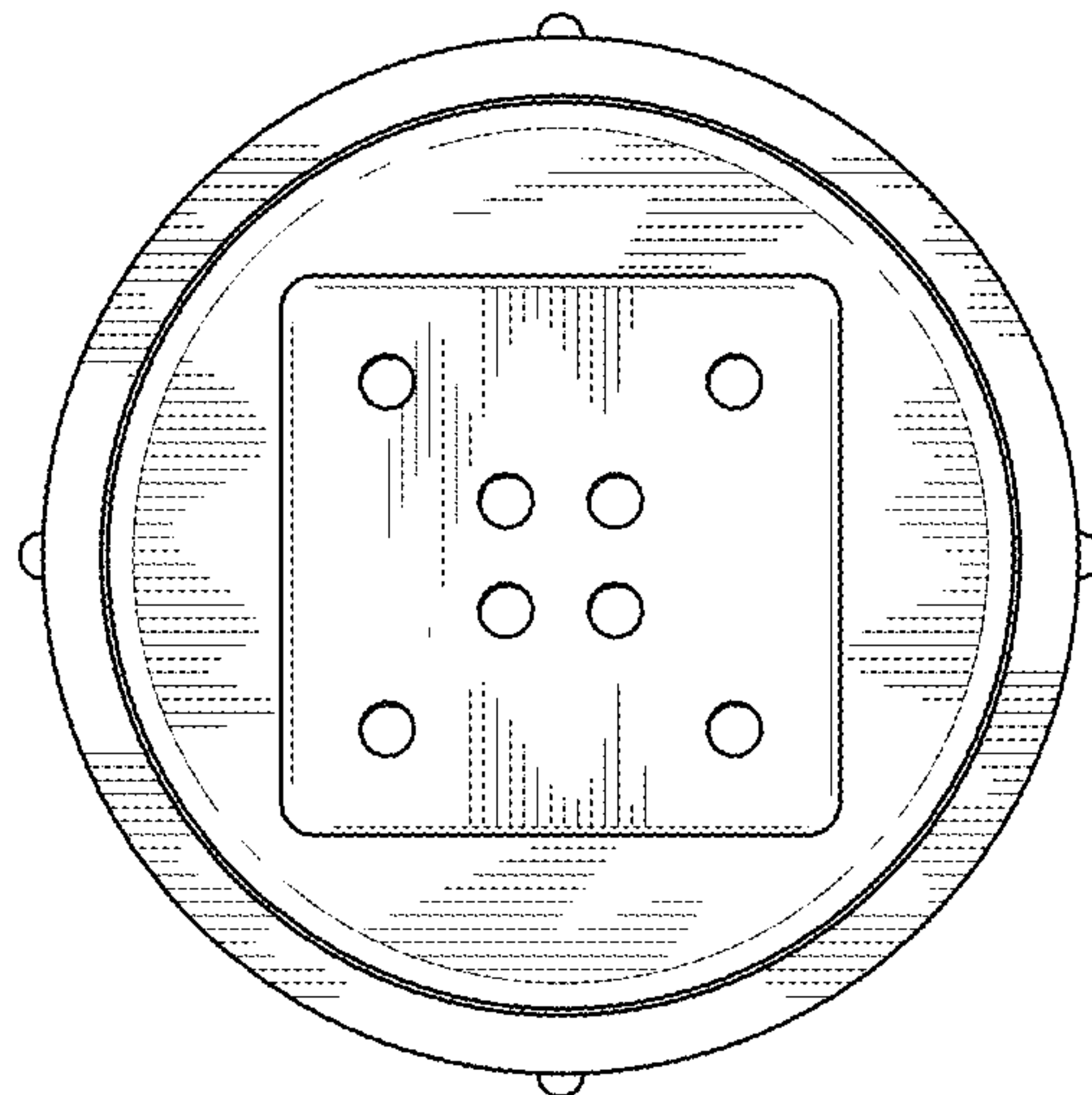


FIG. 8