



US00D790051S

(12) **United States Design Patent**  
**Valentino et al.**

(10) **Patent No.:** **US D790,051 S**  
(45) **Date of Patent:** **\*\* Jun. 20, 2017**

- (54) **FRAGRANCE DIFFUSER BULB**
- (71) Applicant: **Bath & Body Works Brand Management, Inc.**, Reynoldsburg, OH (US)
- (72) Inventors: **Heidi Valentino**, New York, NY (US); **Kathryn Ludwig**, Brooklyn, NY (US)
- (73) Assignee: **Bath & Body Works Brand Management, Inc.**, Reynoldsburg, OH (US)

(\*\*) Term: **15 Years**

(21) Appl. No.: **29/536,460**

(22) Filed: **Aug. 17, 2015**

(51) **LOC (10) Cl.** ..... **28-99**

(52) **U.S. Cl.**  
USPC ..... **D23/366; D23/386**

(58) **Field of Classification Search**  
USPC ..... D9/516, 519, 530, 538, 540-542, D9/544-546, 549, 551, 556, 558, 571, D9/715, 719, 682, 692; D28/5, 7; D27/162; D4/114, 116; D23/366, 385, D23/386  
CPC ..... A24F 1/30; B65D 1/0223; B65D 13/02; B65D 11/04; B65D 1/0276; A47G 19/12; A47G 7/06

See application file for complete search history.

(56) **References Cited**

**U.S. PATENT DOCUMENTS**

- D18,685 S \* 10/1888 Atterbury ..... D9/519
- D62,399 S \* 5/1923 Javal ..... D9/556
- D102,532 S \* 12/1936 Vuilleminot ..... D28/91.1
- D187,244 S \* 2/1960 Morris ..... D9/556
- D187,960 S \* 5/1960 Marina ..... D9/546
- D314,136 S 1/1991 Malvoisin
- D326,411 S \* 5/1992 Wefler ..... D9/552

- D336,036 S \* 6/1993 Wacker ..... D9/544
- D344,236 S 2/1994 Drounau
- D377,903 S \* 2/1997 du Grenier ..... D7/598
- D430,659 S 9/2000 Zaragoza et al.
- 6,236,807 B1 5/2001 Ruffolo et al.
- D463,290 S 9/2002 Wiggins et al.
- D497,422 S 10/2004 Wirthman et al.
- D510,271 S 10/2005 Mero et al.
- D515,933 S 2/2006 Mero et al.
- D522,119 S 5/2006 Baraky et al.
- D530,210 S 10/2006 Chisholm
- D532,314 S 11/2006 Todd

(Continued)

*Primary Examiner* — Ian Simmons

*Assistant Examiner* — Keith Frank

(74) *Attorney, Agent, or Firm* — Andrus Intellectual Property Law, LLP

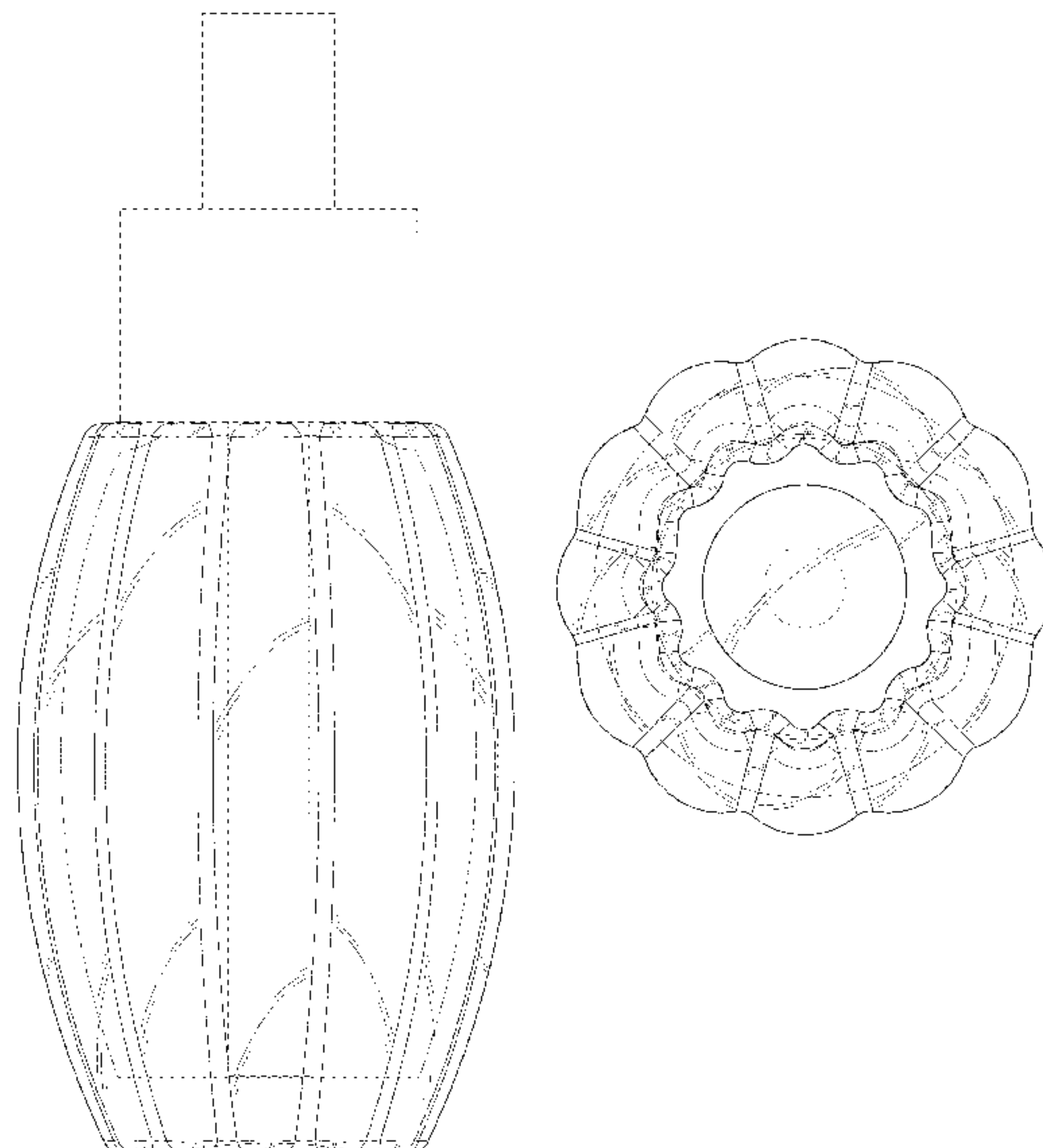
(57) **CLAIM**

The ornamental design for a fragrance diffuser bulb, as shown and described.

**DESCRIPTION**

FIG. 1 is a perspective view of our new and ornamental design for a fragrance diffuser bulb;  
 FIG. 2 is a front elevation view thereof, wherein the rear elevation view is identical to the front elevation view;  
 FIG. 3 is a left side elevation view thereof, wherein the right side elevation view is identical to the left side elevation view;  
 FIG. 4 is a top view thereof;  
 FIG. 5 is a bottom view thereof; and,  
 FIG. 6 is a right side view thereof, showing the fragrance diffuser bulb in use with an electrical fragrance diffuser.  
 The evenly dashed broken lines in FIGS. 1-6 illustrate portions of the fragrance diffuser bulb that form no part of the claimed design. The dash-dot-dash broken lines in FIG. 6 illustrate environmental subject matter of the fragrance diffuser bulb that forms no part of the claimed design.

**1 Claim, 5 Drawing Sheets**



(56)

**References Cited**

U.S. PATENT DOCUMENTS

7,228,981	B2	6/2007	Chisholm	
D553,504	S	10/2007	Goto et al.	
7,277,626	B2	10/2007	Pesu et al.	
D559,694	S	1/2008	Le Bras-Brown et al.	
D567,660	S *	4/2008	Gautier .....	D9/439
D583,038	S *	12/2008	Kay .....	D23/366
D603,709	S	11/2009	Lepoitevin	
RE41,055	E	12/2009	Choke-Arpornchai et al.	
D606,643	S *	12/2009	Butler .....	D23/366
D619,464	S	7/2010	Langley et al.	
D631,756	S *	2/2011	DeMarco .....	D9/691
D633,192	S *	2/2011	Valentino .....	D23/366
D642,923	S	8/2011	Newton	
D642,924	S	8/2011	Newton	
D643,296	S	8/2011	Newton	
D643,724	S *	8/2011	Donnelly .....	D9/435
D647,608	S	10/2011	Young et al.	
D649,478	S *	11/2011	Kim .....	D9/558
D657,040	S	4/2012	Young et al.	
D662,652	S *	6/2012	Browder .....	D26/134
8,301,019	B2	10/2012	Smith et al.	
D672,861	S *	12/2012	Adair .....	D23/366
D672,862	S *	12/2012	Adair .....	D23/366
D683,067	S *	5/2013	Wanders .....	D26/128
D686,721	S *	7/2013	Wirz .....	D23/366
D694,587	S	12/2013	Slocumb et al.	
D738,734	S	9/2015	Cripe et al.	
D742,234	S	11/2015	Cripe et al.	
D763,699	S *	8/2016	Rasgon .....	D9/556
D763,700	S *	8/2016	Rasgon .....	D9/519
D764,298	S *	8/2016	Gordon .....	D9/541

\* cited by examiner

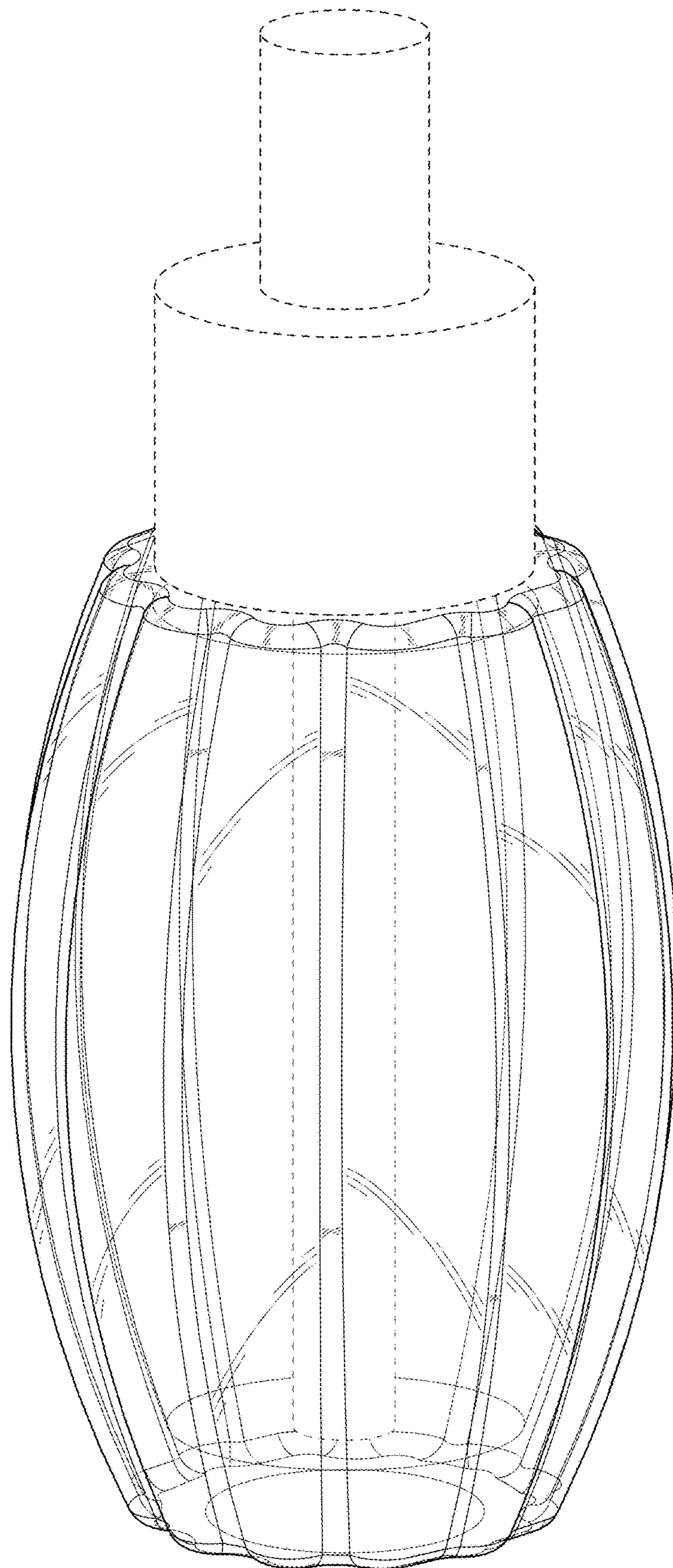


FIG. 1



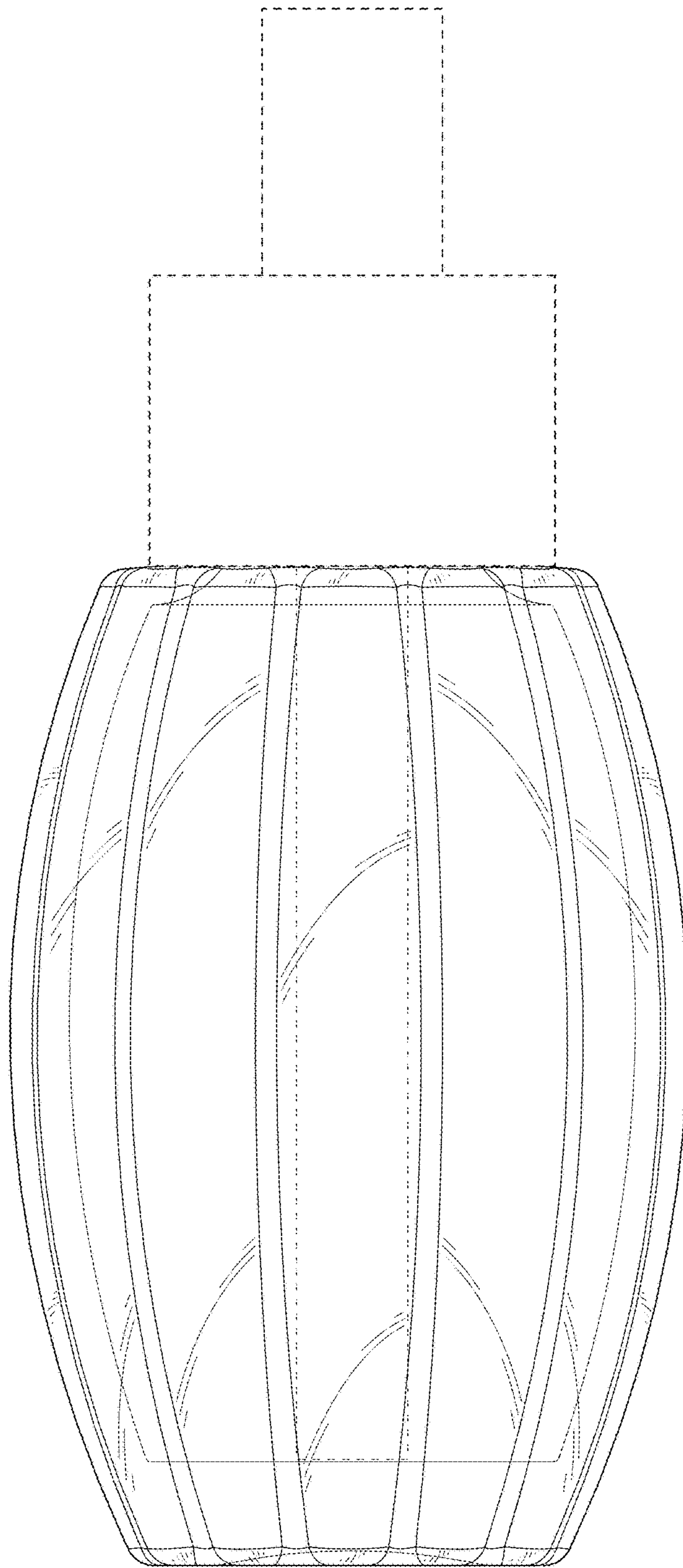


FIG. 2

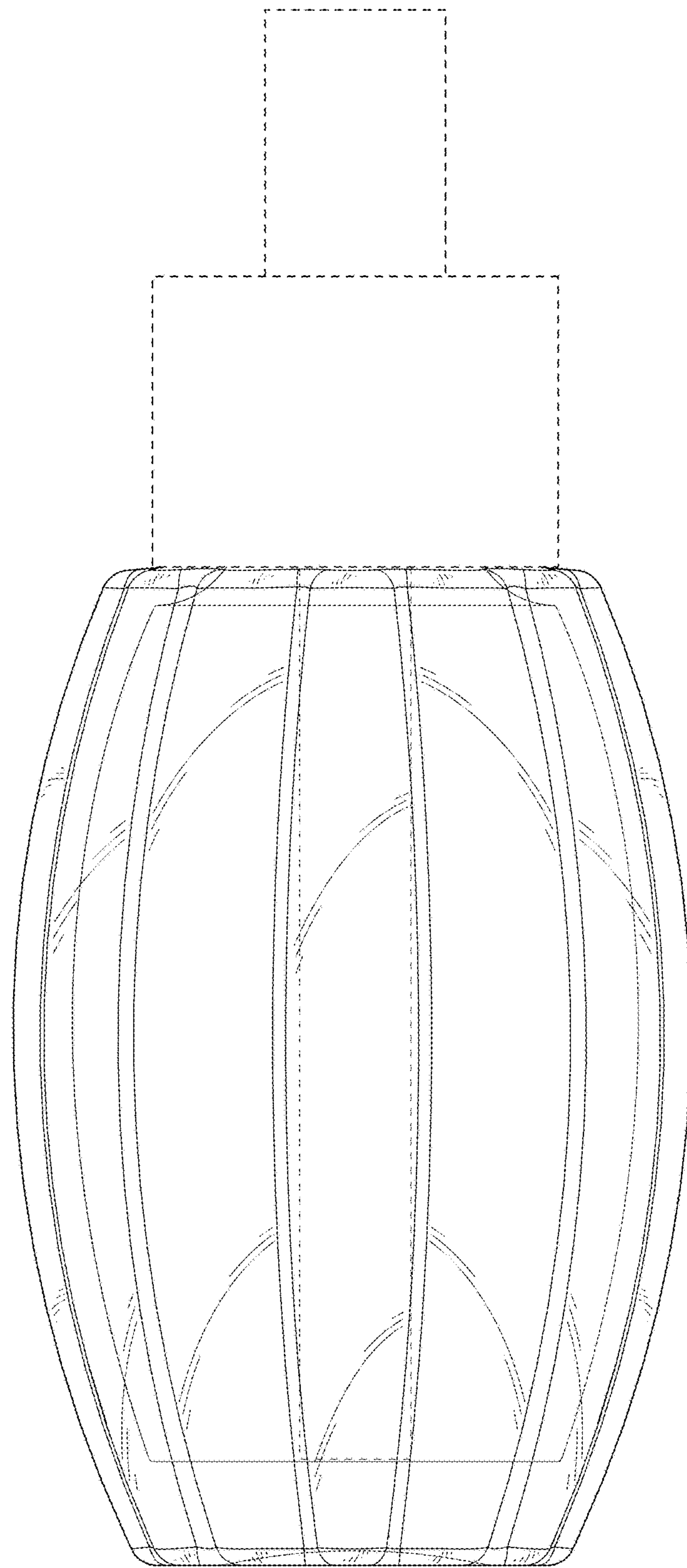


FIG. 3

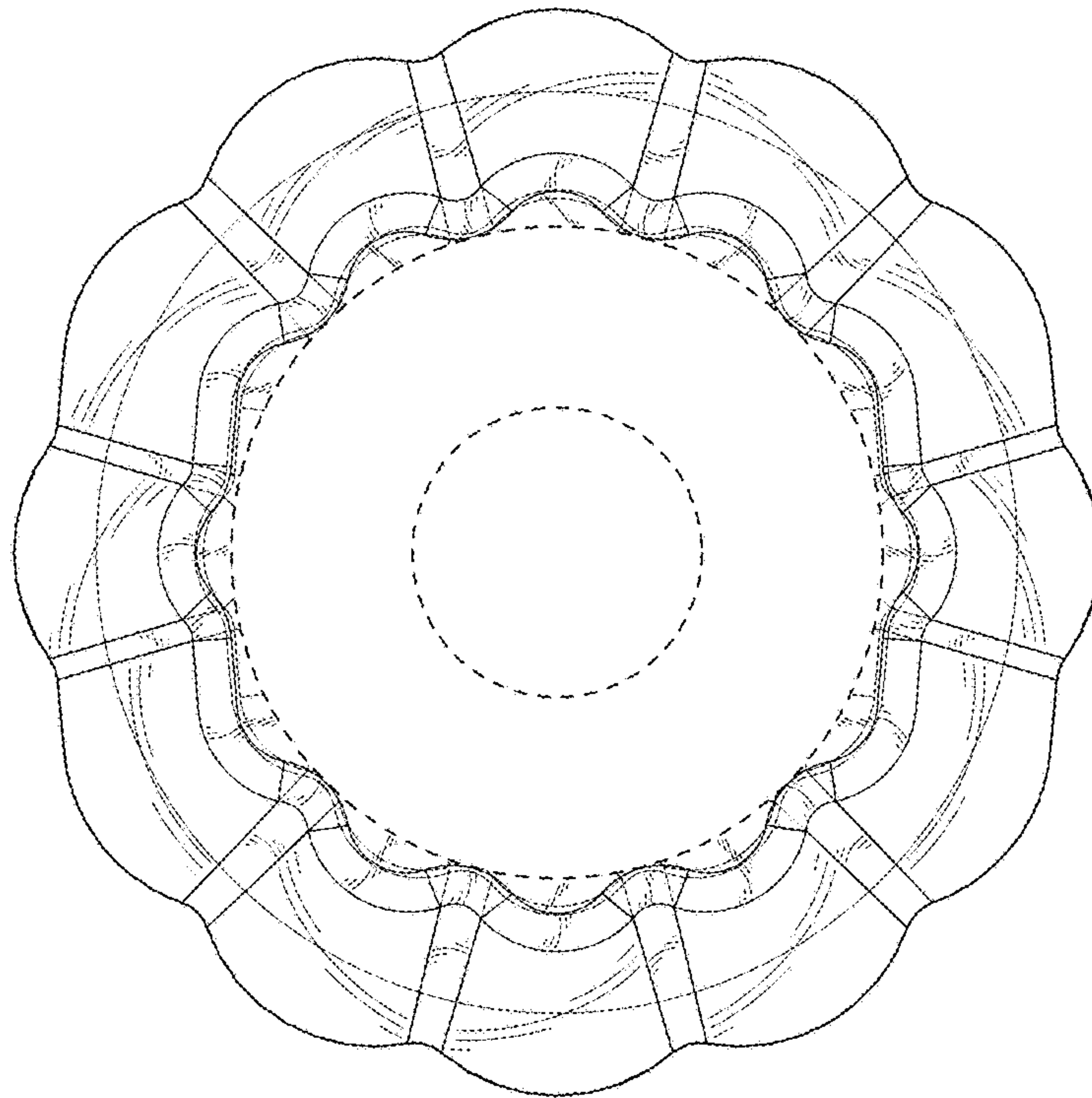


FIG. 4

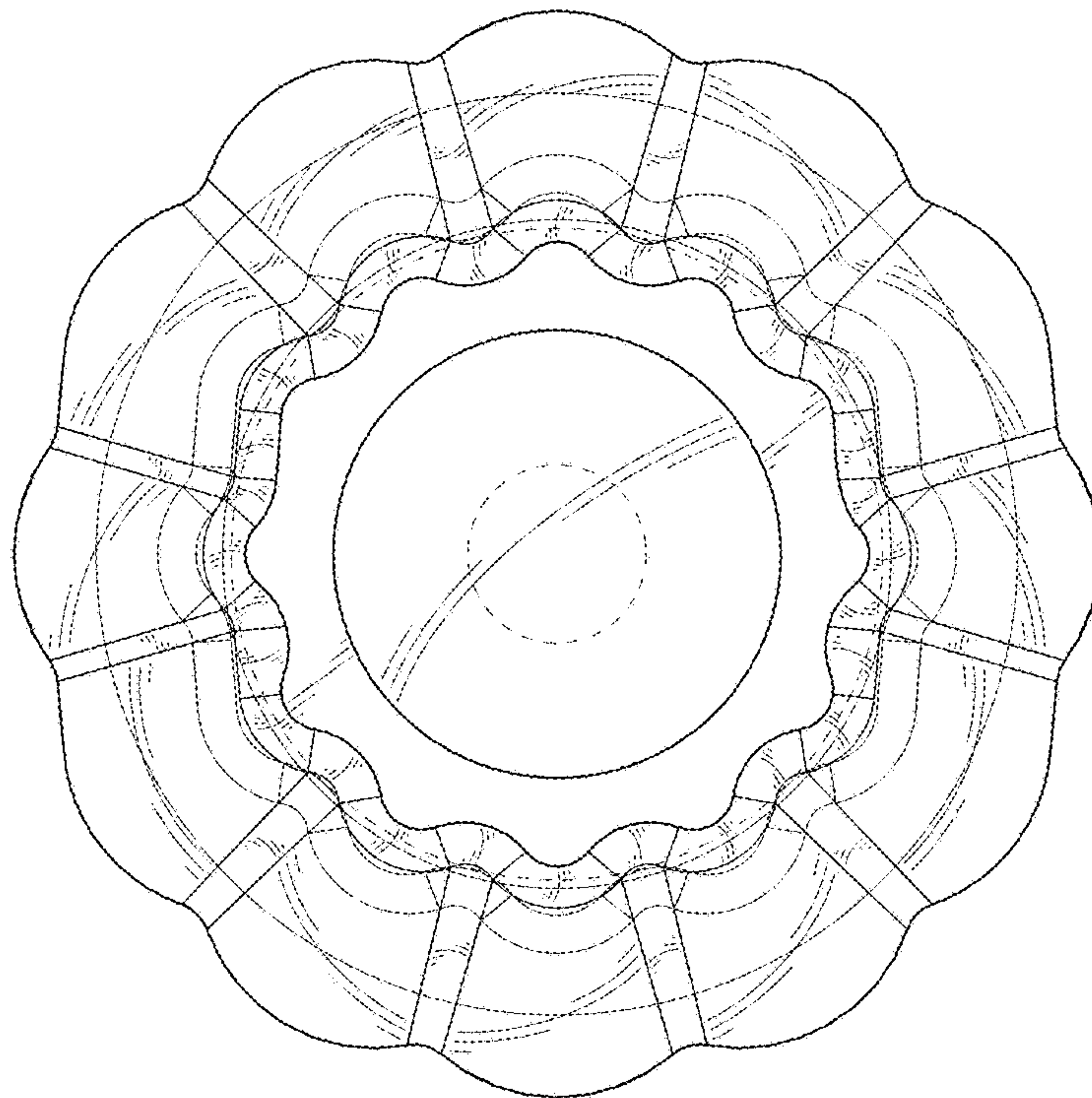


FIG. 5

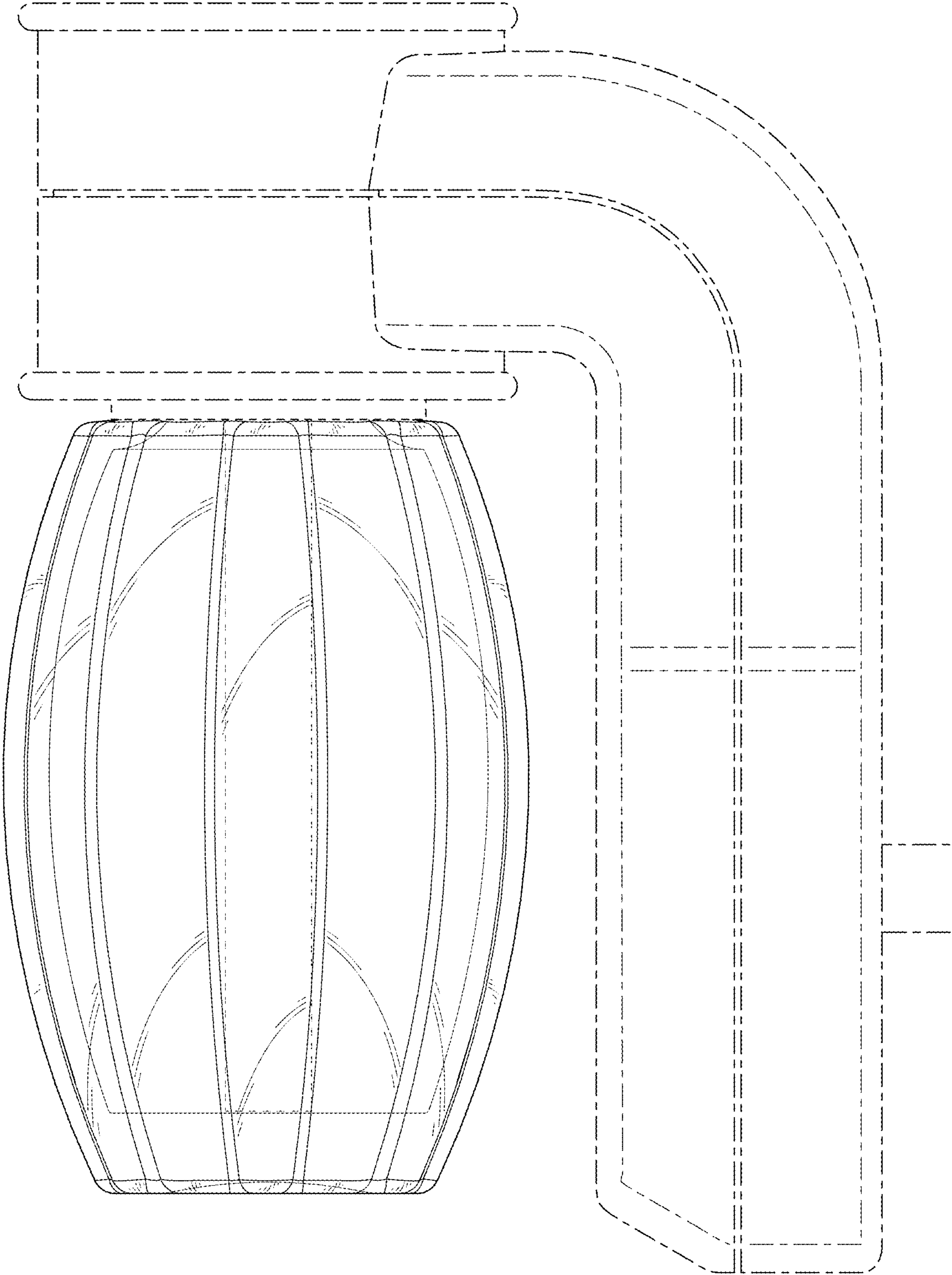


FIG. 6



UNITED STATES PATENT AND TRADEMARK OFFICE  
**CERTIFICATE OF CORRECTION**

PATENT NO. : D790,051 S  
APPLICATION NO. : 29/536460  
DATED : June 20, 2017  
INVENTOR(S) : Heidi Valentino et al.

Page 1 of 2

It is certified that error appears in the above-identified patent and that said Letters Patent is hereby corrected as shown below:

**In the Drawings**

Sheet 5, FIG. 6, the right hand side of the figure has been cut off. Please replace Drawing Sheet 5 with the attached Replacement Sheet 5, including FIG. 6.

Signed and Sealed this  
Eighth Day of August, 2017



Joseph Matal  
*Performing the Functions and Duties of the  
Under Secretary of Commerce for Intellectual Property and  
Director of the United States Patent and Trademark Office*



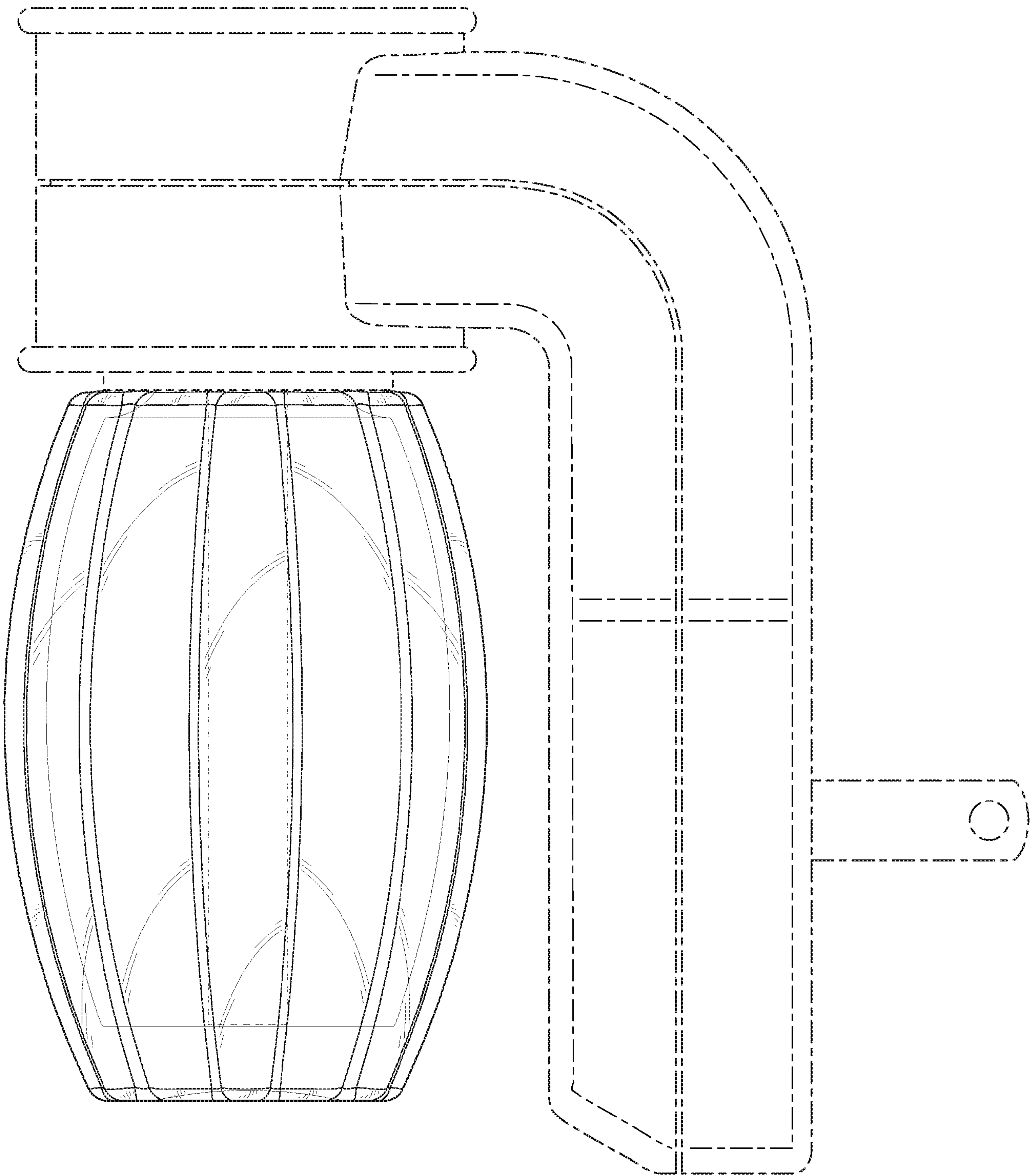


FIG. 6