



US00D790049S

(12) **United States Design Patent**
Eicher

(10) **Patent No.:** **US D790,049 S**

(45) **Date of Patent:** **** *Jun. 20, 2017**

(54) AIR CONDITIONER BASE	3,537,935 A * 11/1970 Withers	B21D 53/02 156/296
(71) Applicant: Friedrich Air Conditioning Co., Ltd., San Antonio, TX (US)	4,284,132 A * 8/1981 Strand, Sr.	F24F 3/048 137/601.01
(72) Inventor: Kevin L. Eicher, Seguin, TX (US)	D302,584 S * 8/1989 DeMars	D23/332
(73) Assignee: Friedrich Air Conditioning Co., Ltd., San Antonio, TX (US)	D363,268 S * 10/1995 Rodriguez	D13/110
	D417,725 S * 12/1999 Viscolosi	D23/351
	D590,339 S * 4/2009 Yang	D13/110
	D687,139 S * 7/2013 Mims	D23/386
	D712,021 S * 8/2014 You	D23/354
	D727,261 S * 4/2015 Kishita	D13/110
(*) Notice: This patent is subject to a terminal disclaimer.	D756,921 S * 5/2016 Benn	D13/110
	2003/0141046 A1 * 7/2003 Ikeda	F28D 1/05366 165/173

(**) Term: **15 Years**

* cited by examiner

(21) Appl. No.: **29/551,997**

Primary Examiner — George D. Kirschbaum

(22) Filed: **Jan. 19, 2016**

Assistant Examiner — Natasha Vujcic

(51) **LOC (10) Cl.** **23-04**

(74) *Attorney, Agent, or Firm* — Gunn, Lee & Cave, P.C.

(52) **U.S. Cl.**
USPC **D23/351**

(57) **CLAIM**

(58) **Field of Classification Search**
USPC D23/333, 335, 341, 342, 351, 353–356,
D23/359, 364, 365, 370, 385, 386, 388,
D23/393

The ornamental design for an air conditioner base, as shown and described.

CPC F24F 1/00; F24F 1/0007; F24F 1/02; F24F
1/08; F24F 1/42; F24F 1/56; F24F 1/60;
F24F 3/044; F24F 3/048; F24F 3/16;
F24F 7/00; F24F 7/04; F24F 12/001;
F24F 12/006

DESCRIPTION

See application file for complete search history.

FIG. 1 is a top view of an air conditioner base showing our new design.

FIG. 2 is a left elevational view of FIG. 1.

FIG. 3 is a front elevational view of FIG. 1.

FIG. 4 is a rear elevational view of FIG. 1.

FIG. 5 is a right side elevational view of FIG. 1.

FIG. 6 is a bottom view of FIG. 1; and,

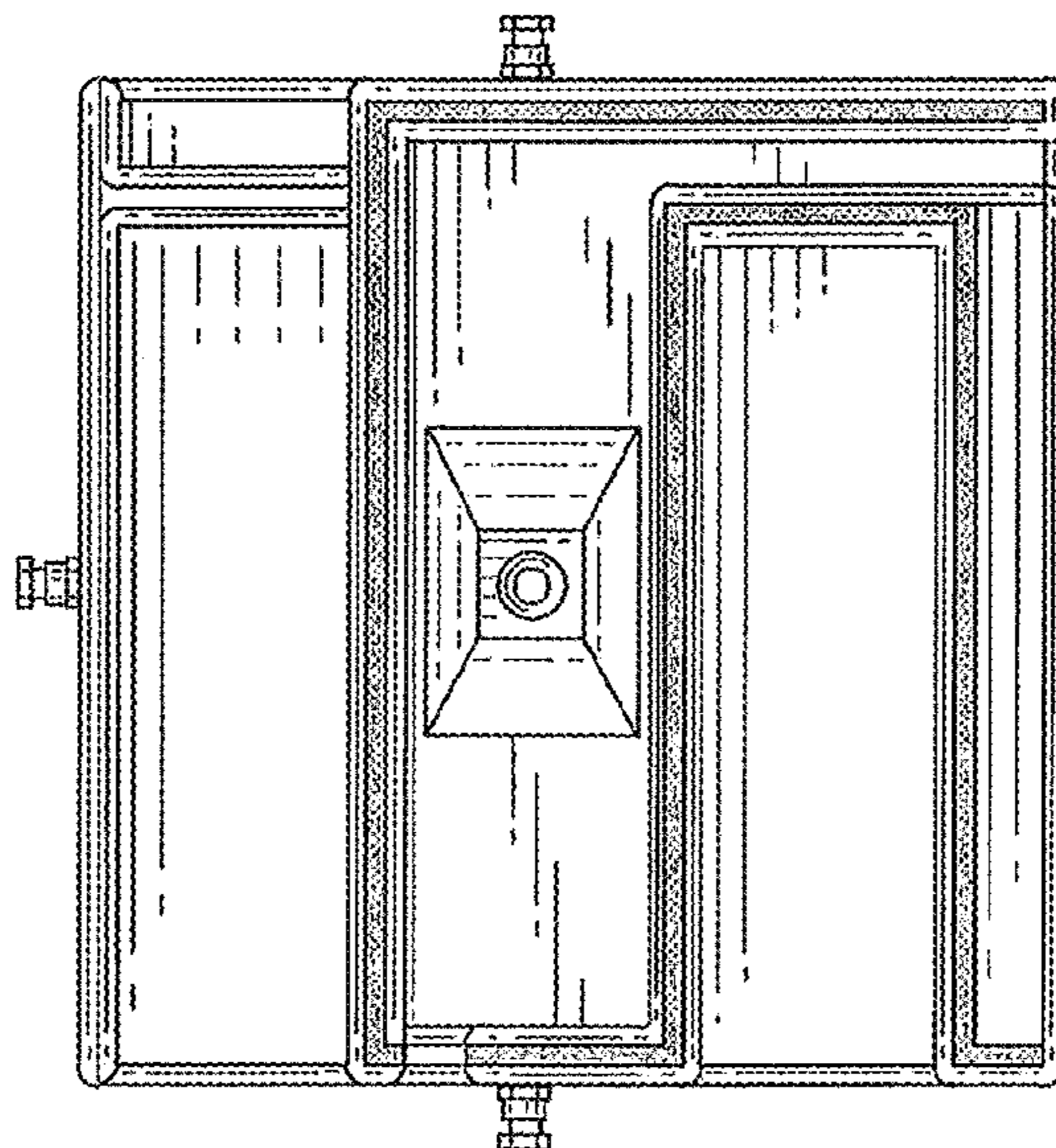
FIG. 7 is an upper perspective view of an air conditioner base showing our new design.

(56) **References Cited**

U.S. PATENT DOCUMENTS

2,236,470 A *	3/1941 De Jonge	A23L 3/22 165/101
D217,915 S *	6/1970 Brenner et al.	D10/80

1 Claim, 3 Drawing Sheets



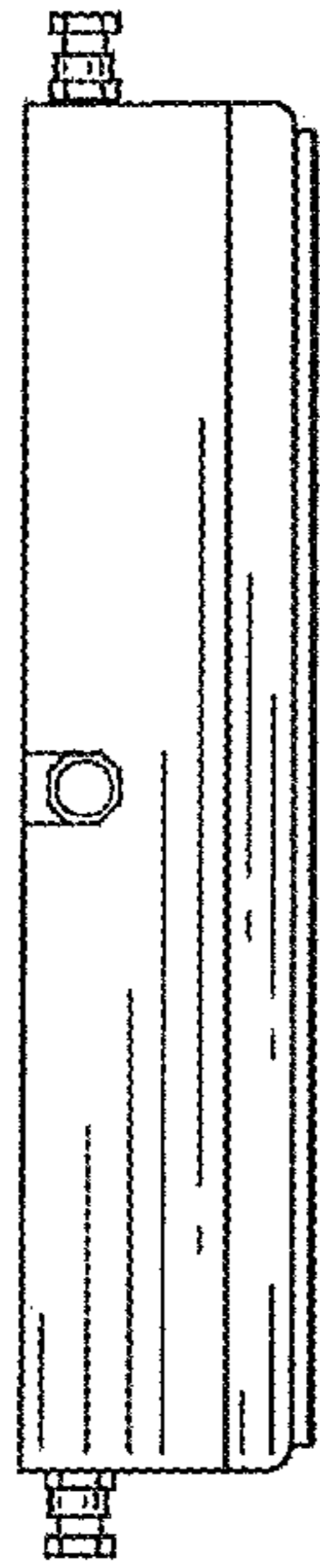


Fig. 2

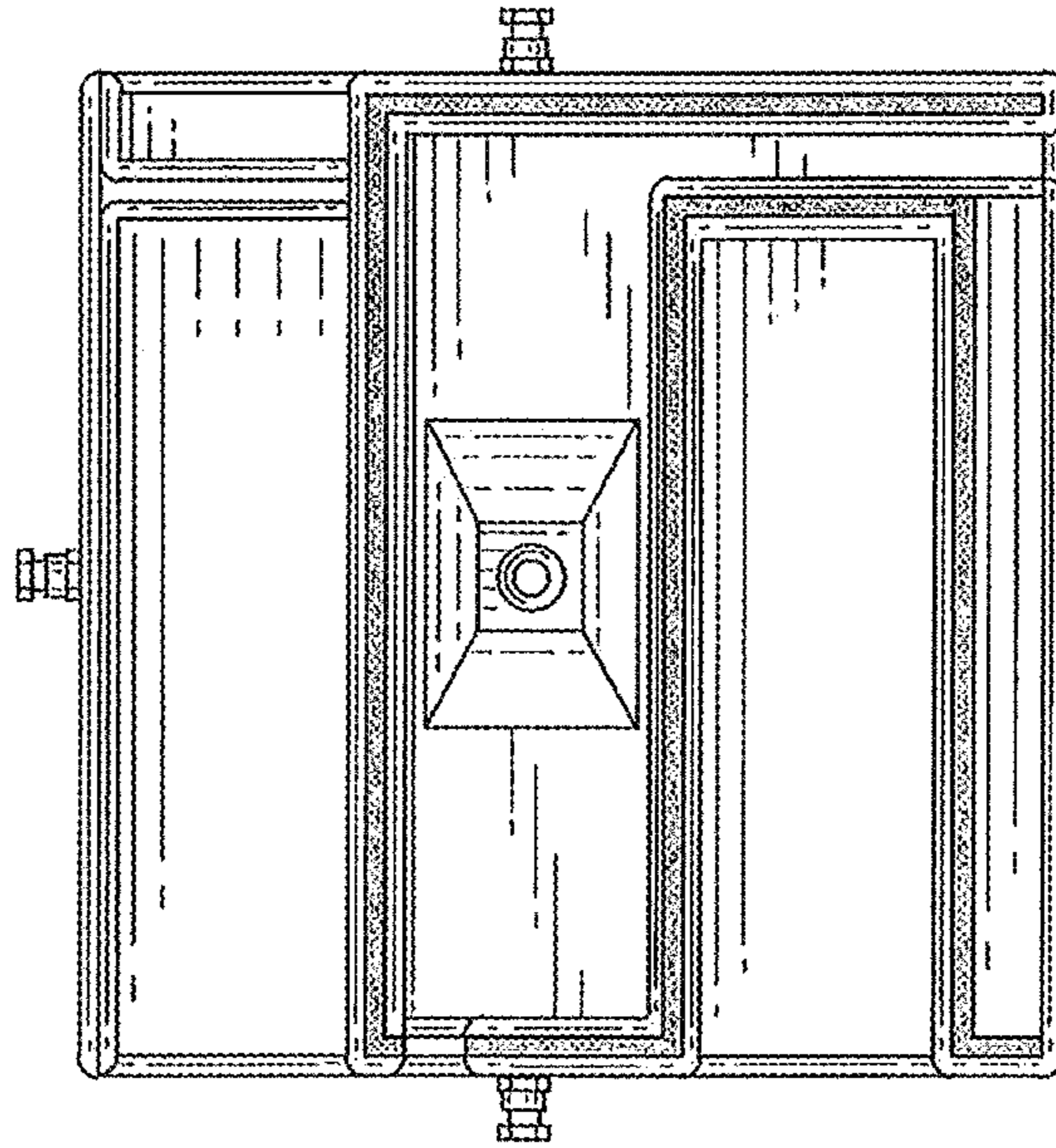


Fig. 1

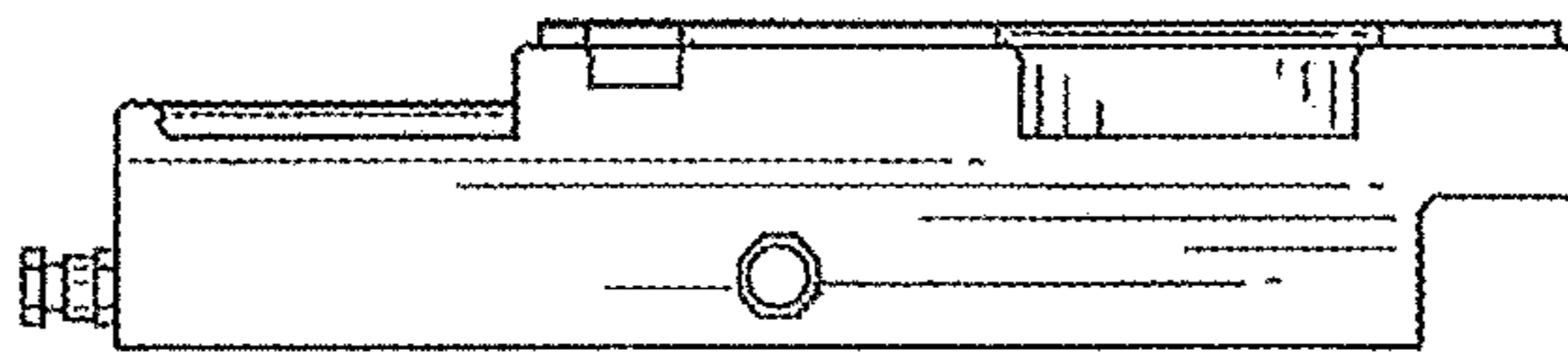


Fig. 3

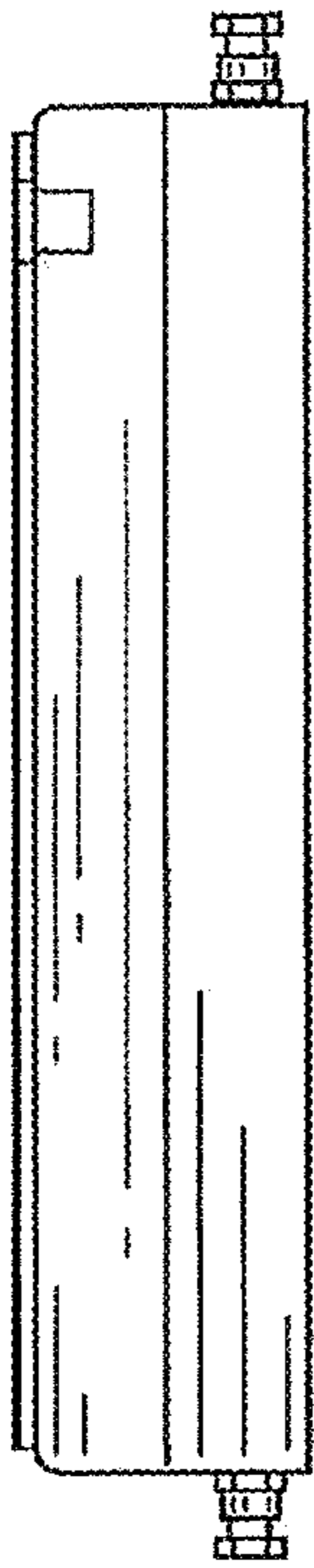


Fig. 5

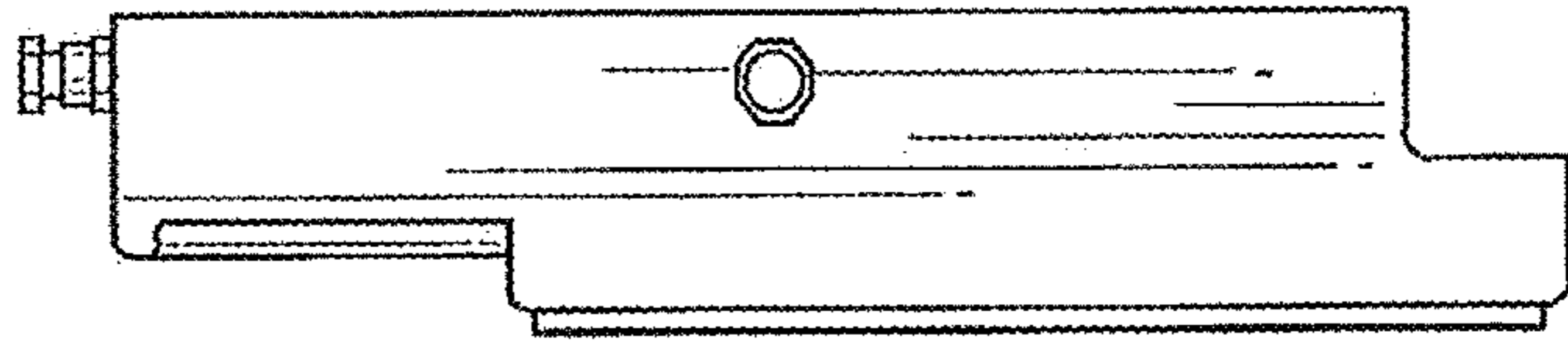


Fig. 4

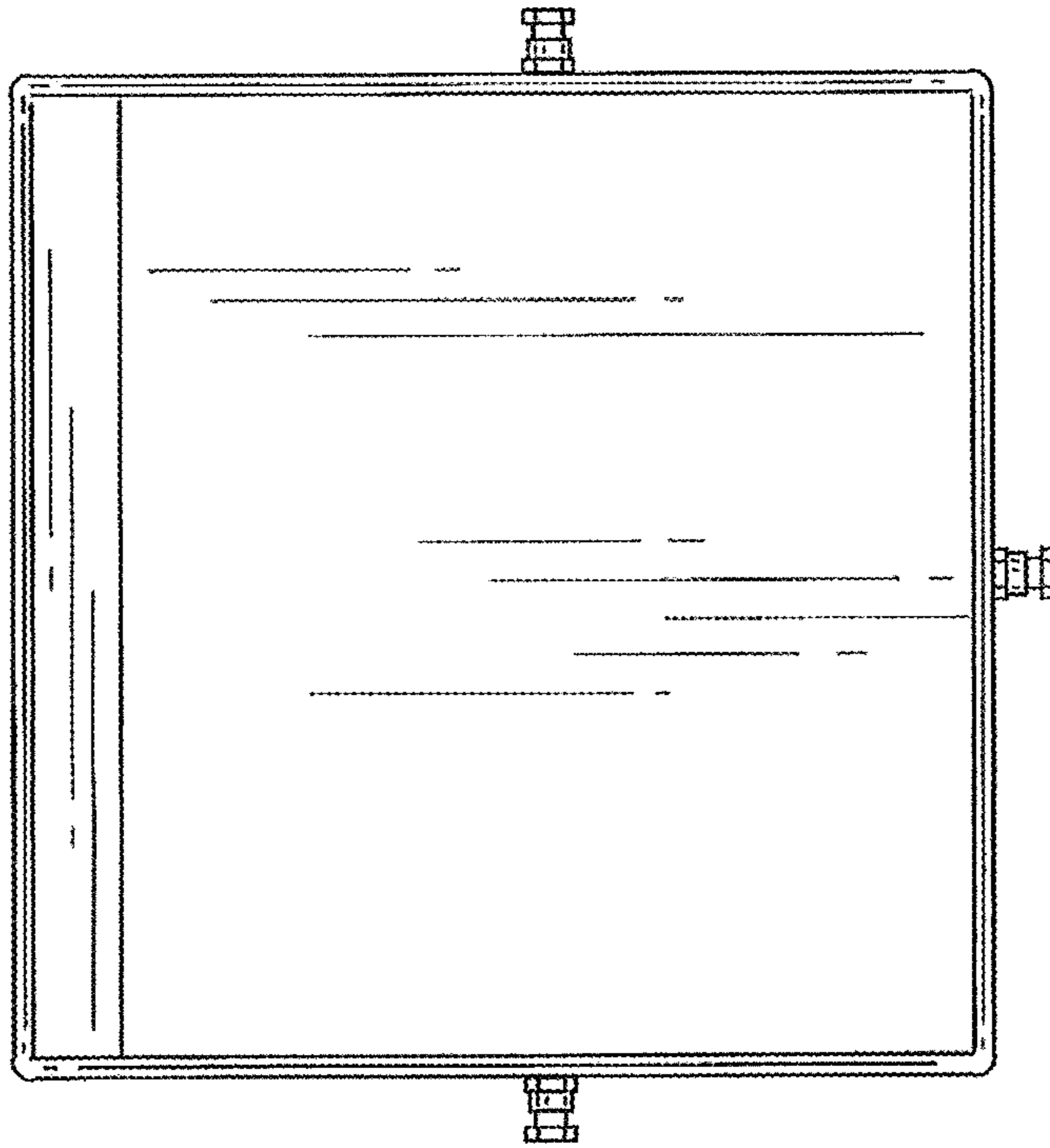


Fig. 6

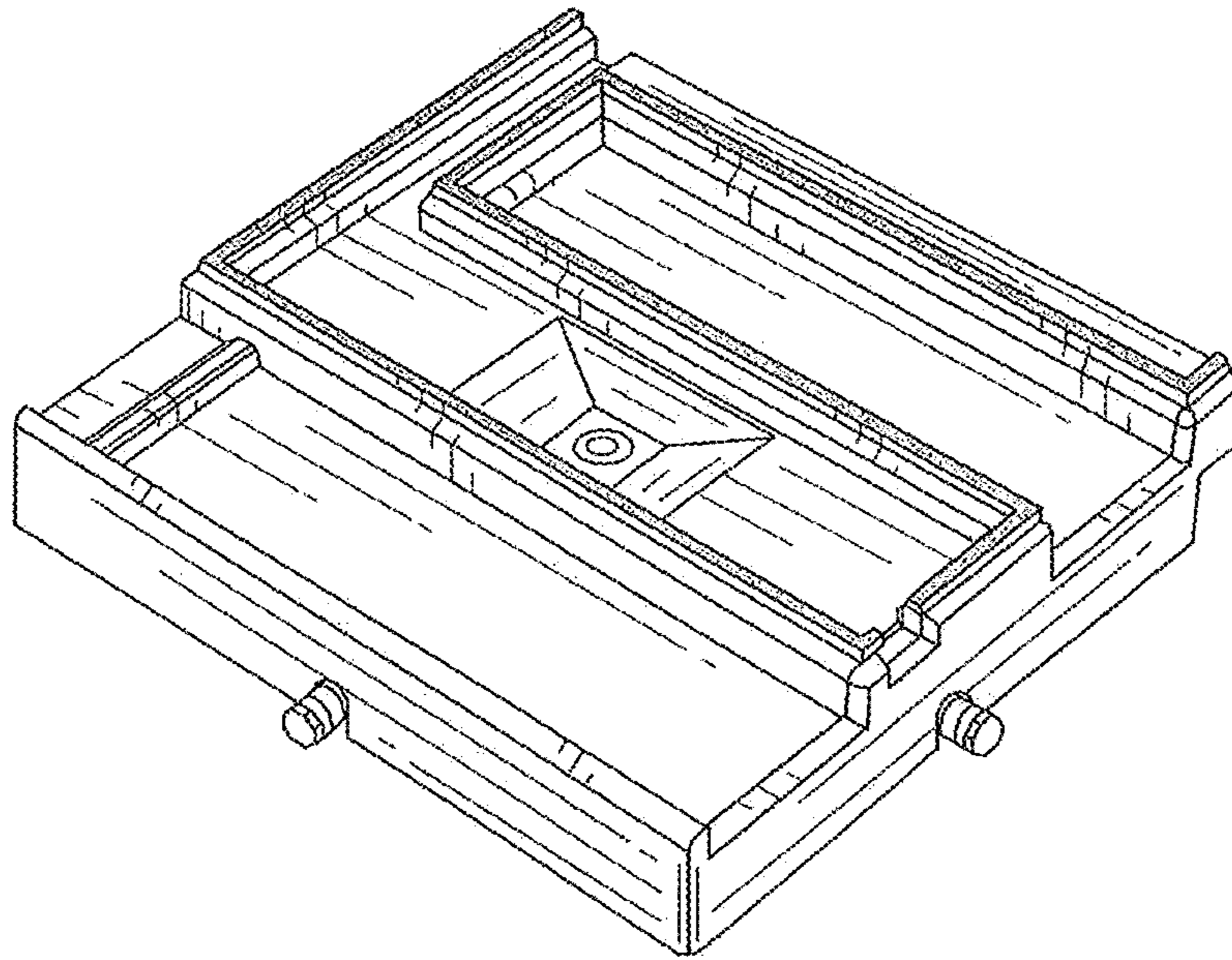


Fig. 7