



US00D790048S

(12) **United States Design Patent**
Emami

(10) **Patent No.:** **US D790,048 S**
(45) **Date of Patent:** **** Jun. 20, 2017**

- (54) **INDUSTRIAL HEATER**
- (71) Applicant: **Arsalan Emami**, Aliso Viejo, CA (US)
- (72) Inventor: **Arsalan Emami**, Aliso Viejo, CA (US)
- (**) Term: **15 Years**
- (21) Appl. No.: **29/527,193**
- (22) Filed: **May 15, 2015**
- (51) **LOC (10) Cl.** **23-03**
- (52) **U.S. Cl.**
USPC **D23/329**
- (58) **Field of Classification Search**
USPC D23/314, 323, 329, 334, 335, 336, 342
CPC F27D 11/02; F27B 5/00; F24H 1/285
See application file for complete search history.

- 2013/0062333 A1* 3/2013 Emami H01L 21/67109
219/438
- 2015/0059245 A1* 3/2015 Appel C10J 3/32
48/111
- 2015/0298079 A1* 10/2015 Normand B01F 7/083
366/84

* cited by examiner

Primary Examiner — T. Chase Nelson
Assistant Examiner — Ania Aman
(74) *Attorney, Agent, or Firm* — Ricky Lam

(57) **CLAIM**

The ornamental design for an industrial heater, as shown and described.

DESCRIPTION

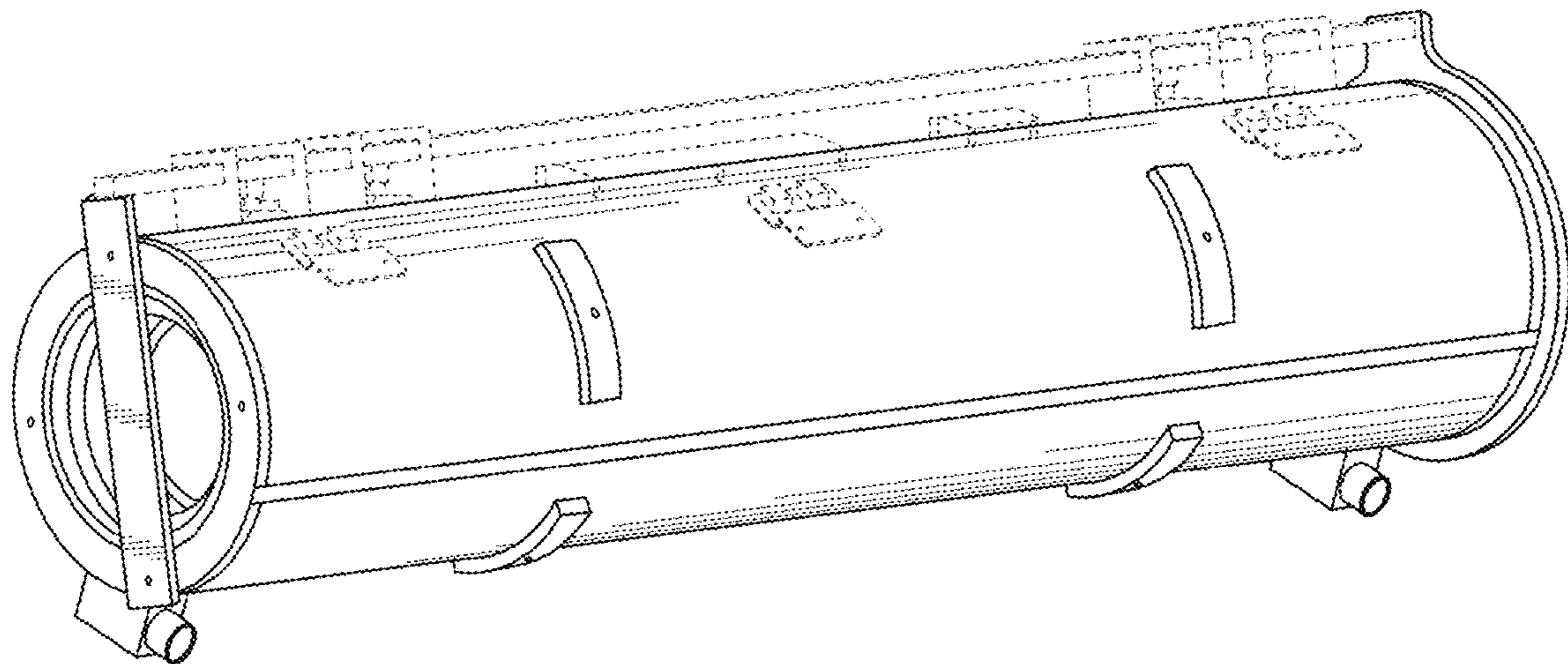
FIG. 1 is a left perspective view of an industrial heater showing my new design;
FIG. 2 is a right perspective view of the industrial heater of FIG. 1;
FIG. 3 is a front view of the industrial heater of FIG. 1;
FIG. 4 is a rear view of the industrial heater of FIG. 1;
FIG. 5 is a top view of the industrial heater of FIG. 1;
FIG. 6 is a bottom view of the industrial heater of FIG. 1;
FIG. 7 is a right-side view of the industrial heater of FIG. 1;
and,
FIG. 8 is a left-side view of the industrial heater of FIG. 1.
In the drawings, the broken lines of FIG. 1, FIG. 2, FIG. 3, FIG. 5, FIG. 6 and FIG. 8 depict environmental subject matter only and form no part of the claimed design.

(56) **References Cited**

U.S. PATENT DOCUMENTS

- 4,340,400 A * 7/1982 Campanile B01D 46/38
165/104.16
- 4,367,789 A * 1/1983 Moranne F28F 9/0219
165/76
- 4,714,052 A * 12/1987 Gilfaut F24H 1/285
122/136 R
- 8,202,721 B2 * 6/2012 Dvorak B09B 3/00
165/902
- 2004/0218913 A1* 11/2004 Melgaard F27B 5/04
392/418
- 2012/0055089 A1* 3/2012 Kavanaugh C10J 3/487
48/89
- 2013/0058372 A1* 3/2013 Emami H01L 21/67109
373/117

1 Claim, 8 Drawing Sheets



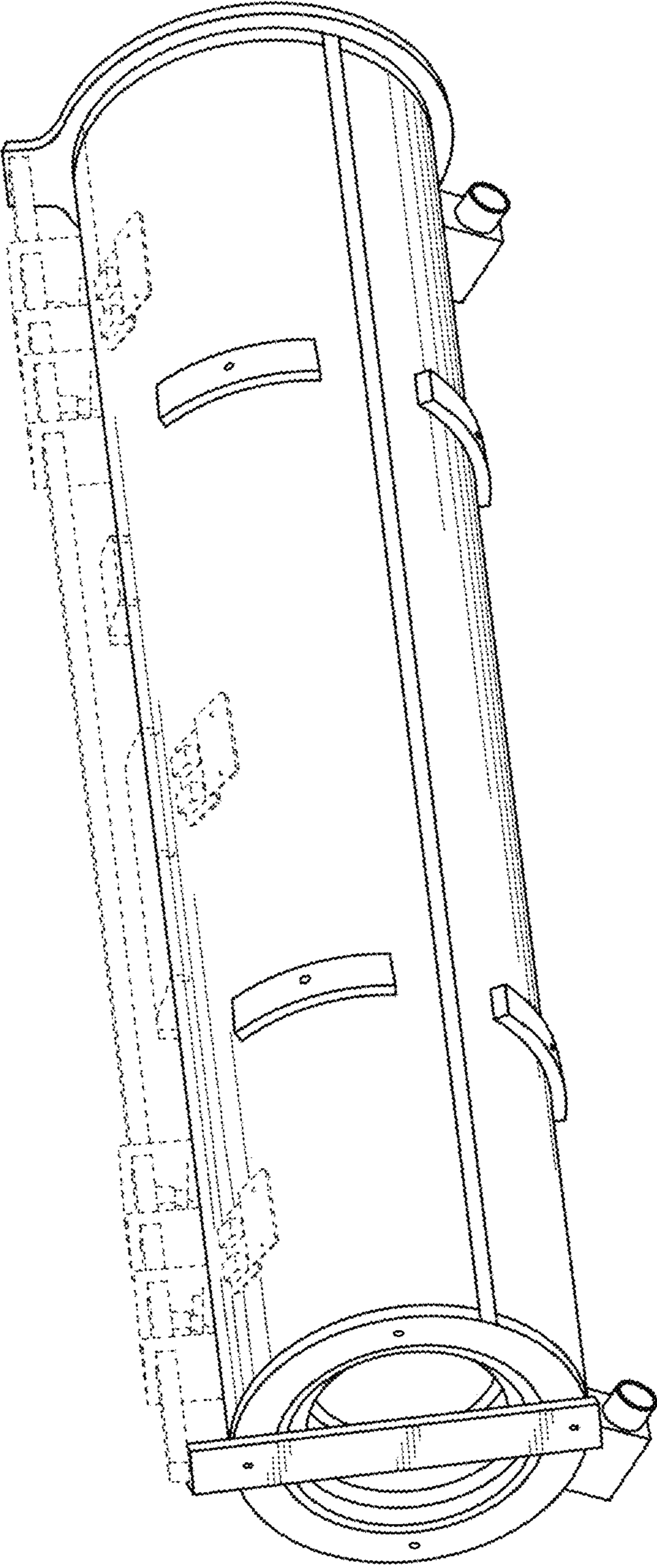


FIG. 1

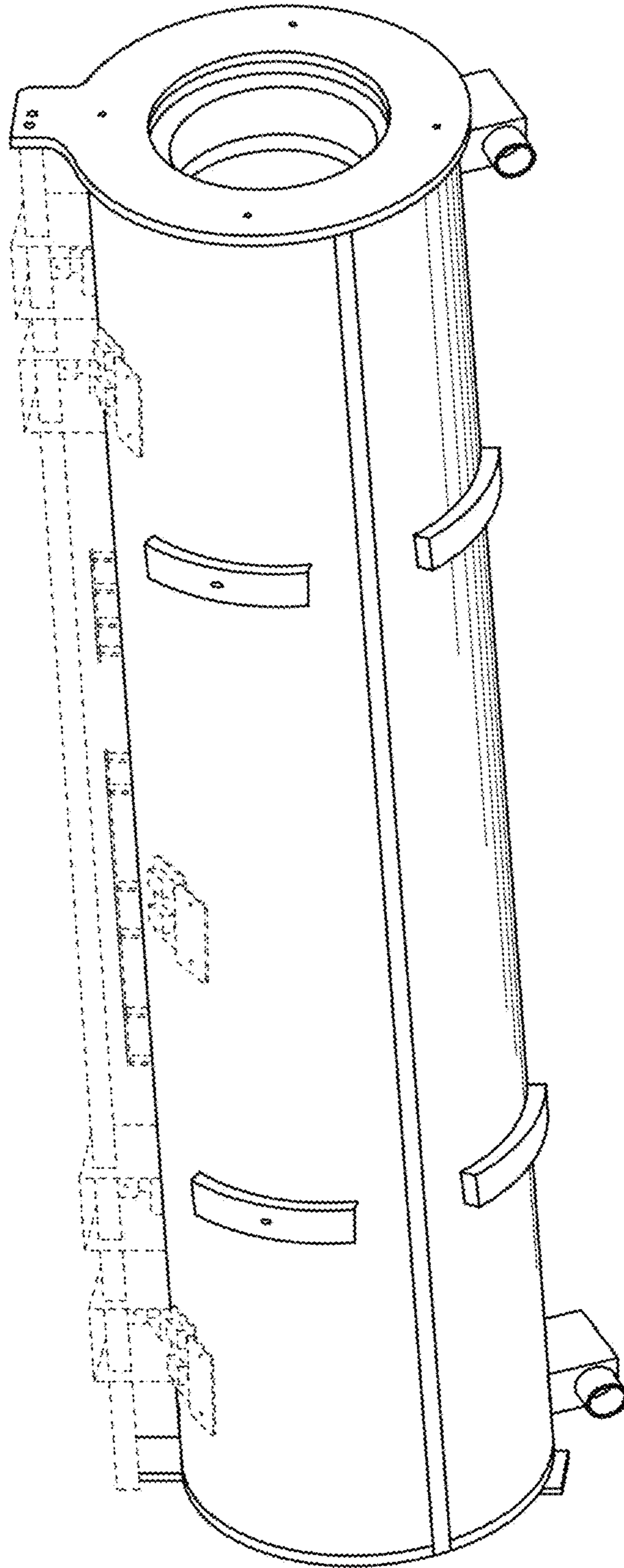


FIG. 2

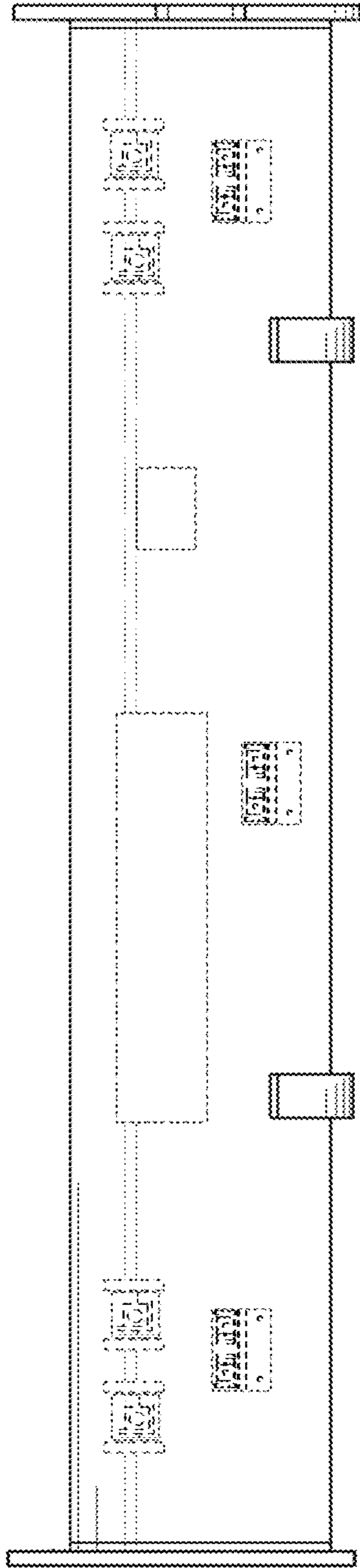


FIG. 3

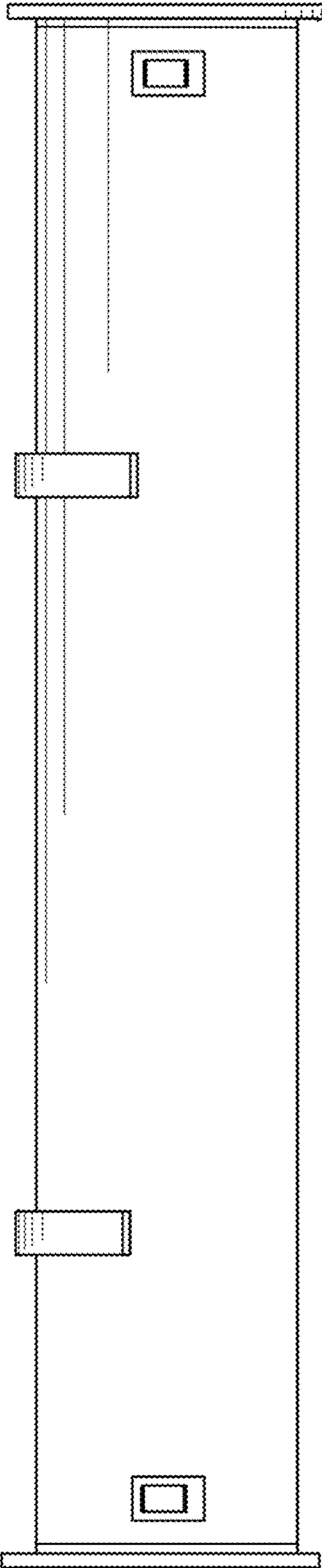


FIG. 4

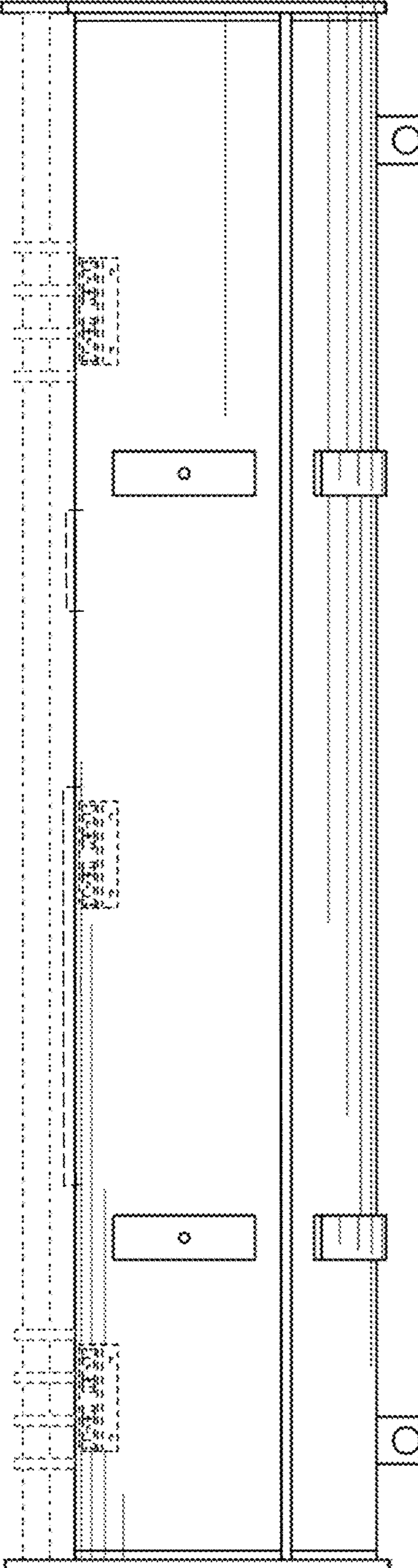


FIG. 5

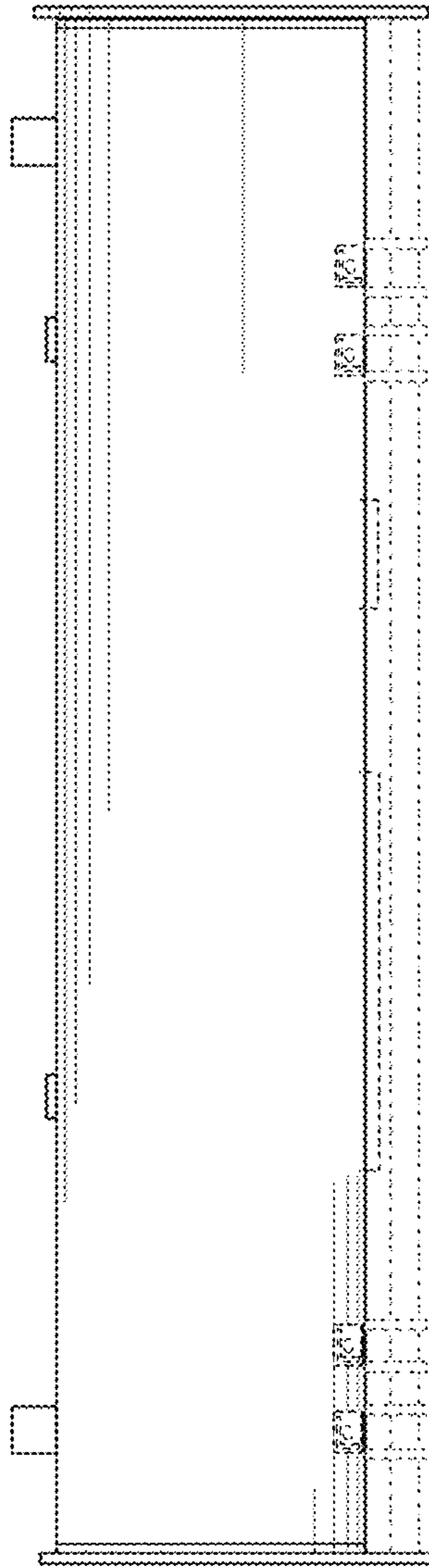


FIG. 6

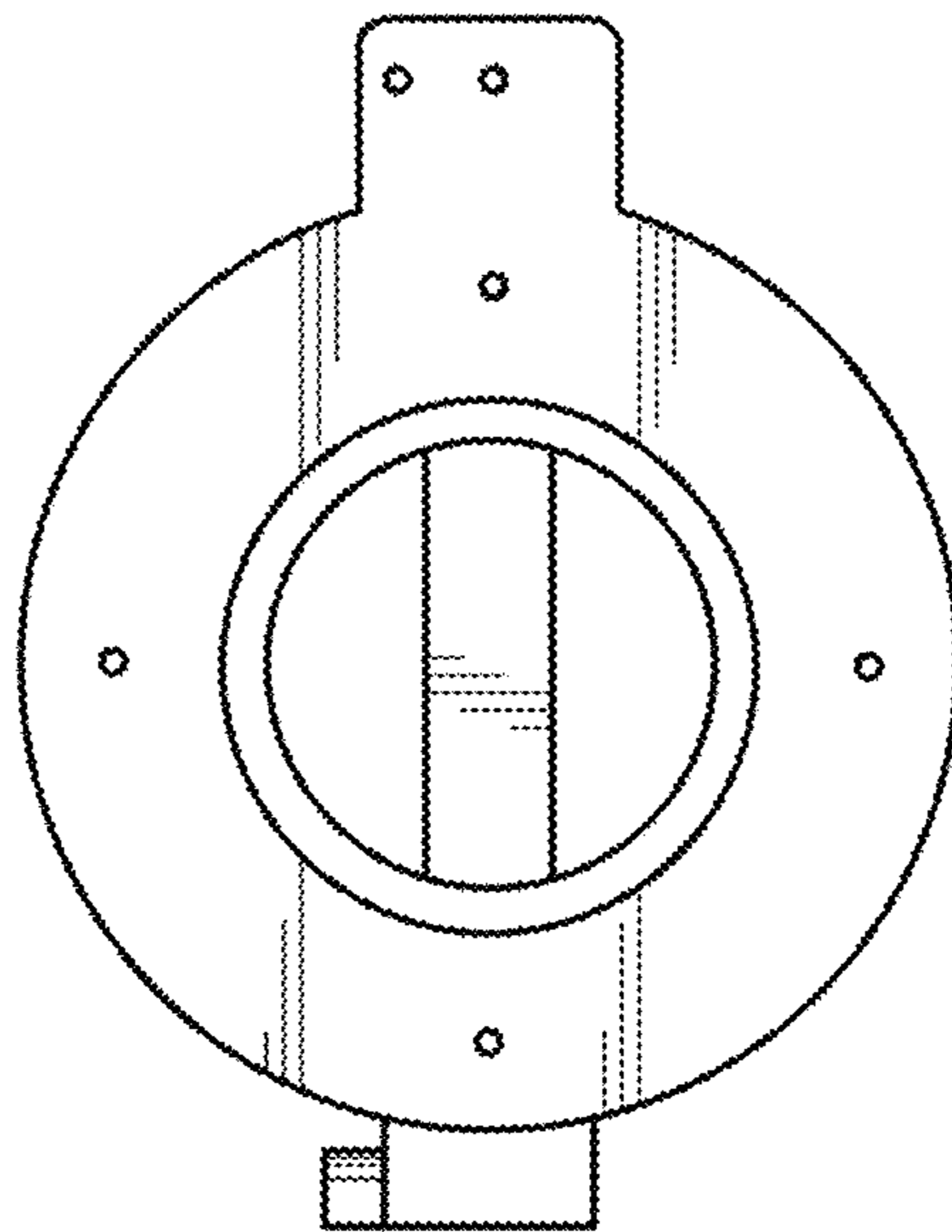


FIG. 7

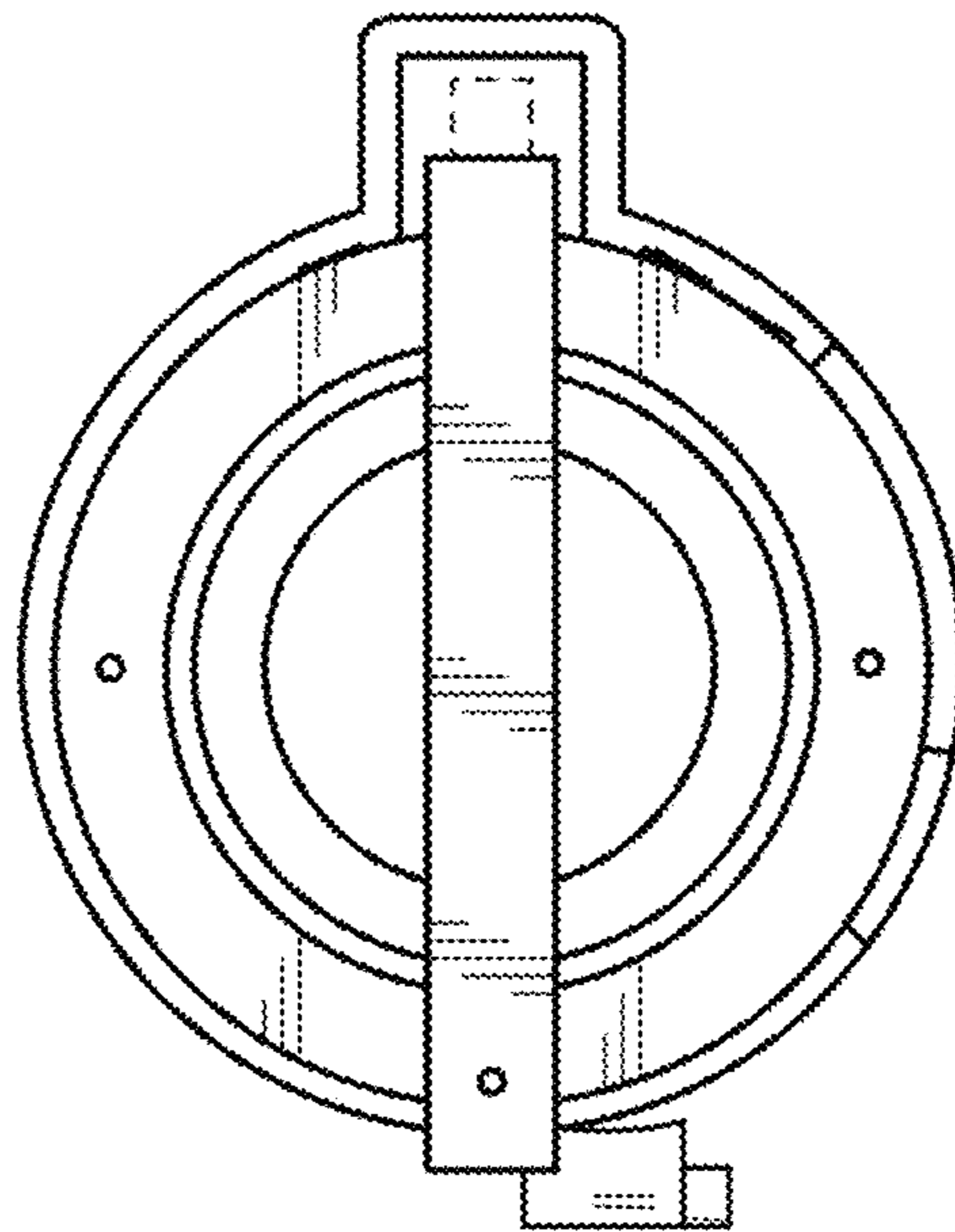


FIG. 8