



US00D790046S

(12) **United States Design Patent** (10) **Patent No.:** **US D790,046 S**
Beall (45) **Date of Patent:** **** Jun. 20, 2017**

(54) **RAIN CHAIN WATER FEATURE**

OTHER PUBLICATIONS

(71) Applicant: **Garm Beall**, Chatsworth, CA (US)

YouTube Website: Rain Chain Water Feautre Kenchiku. <URL: https://www.youtube.com/watch?v=0gksR6sdfvA Published to YouTube by Garm Beall on Aug. 31, 2016. Found Jan. 4, 2017.*

(72) Inventor: **Garm Beall**, Chatsworth, CA (US)

(**) Term: **15 Years**

* cited by examiner

(21) Appl. No.: **29/563,432**

Primary Examiner — Eric Goodman

(22) Filed: **May 4, 2016**

Assistant Examiner — Amy Wierenga

(51) **LOC (10) Cl.** **23-01**

(74) *Attorney, Agent, or Firm* — Kelly & Kelley, LLP

(52) **U.S. Cl.**

USPC **D23/267**

(57) **CLAIM**

(58) **Field of Classification Search**

USPC D23/267, 268, 266, 269; D11/117, 141, D11/148; 59/78, 79.2; 137/615; 52/11, 52/12, 16; 428/24–26

The ornamental design for a rain chain water feature, as shown and described.

CPC . A47G 7/04; A47G 7/08; A47G 7/045; A47G 7/047; A47G 7/085; E04D 13/04; E04D 13/08; E04D 13/076; E04D 13/068; E04D 13/0767; F16L 27/0861

DESCRIPTION

See application file for complete search history.

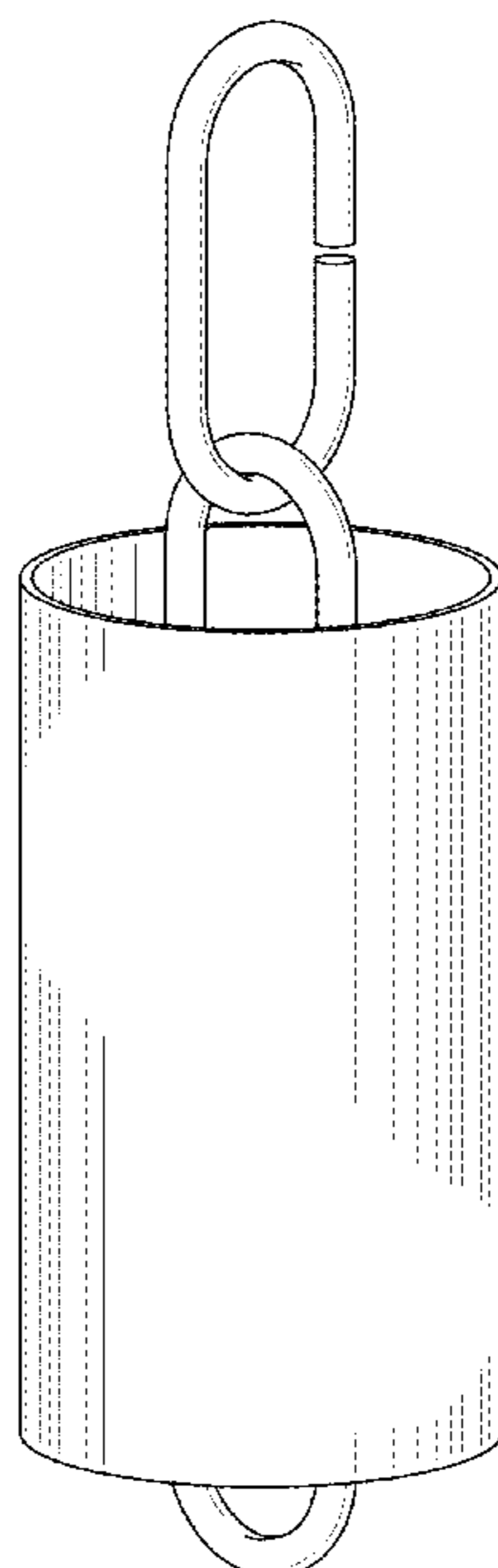
FIG. 1 is a perspective view of the rain chain water feature; FIG. 2 is a front elevational view of the rain chain water feature; FIG. 3 is a side elevational view of the rain chain water feature; FIG. 4 is a top view of the rain chain water feature; FIG. 5 is a bottom view of the rain chain water feature; FIG. 6 is a side cross-sectional view of the rain chain water feature taken along line 6-6 of FIG. 3; FIG. 7 is an exploded and cutaway perspective view of the rain chain water feature; and, FIG. 8 is a perspective view of the rain chain water feature, interconnected to multiple components in a vertical chain in phantom, the additional components shown in phantom show environmental subject matter only that form no part of the claim.

(56) **References Cited**

U.S. PATENT DOCUMENTS

D316,686 S *	5/1991	Tardif	D11/148
D458,866 S *	6/2002	Priest Salmond	D10/116.1
D515,184 S *	2/2006	Beall	D11/148
D519,191 S *	4/2006	Beall	D11/13
D519,600 S *	4/2006	Beall	D23/200
D547,423 S *	7/2007	Lindsay	D23/267
D569,488 S *	5/2008	Lindsay	D23/267
D603,483 S *	11/2009	Lindsay	D23/267
D651,289 S *	12/2011	Beall	D23/261
D651,294 S *	12/2011	Beall	D23/267
D651,295 S *	12/2011	Beall	D23/267
D732,645 S *	6/2015	Beall	D23/267
D737,414 S *	8/2015	Beall	D23/267

1 Claim, 6 Drawing Sheets



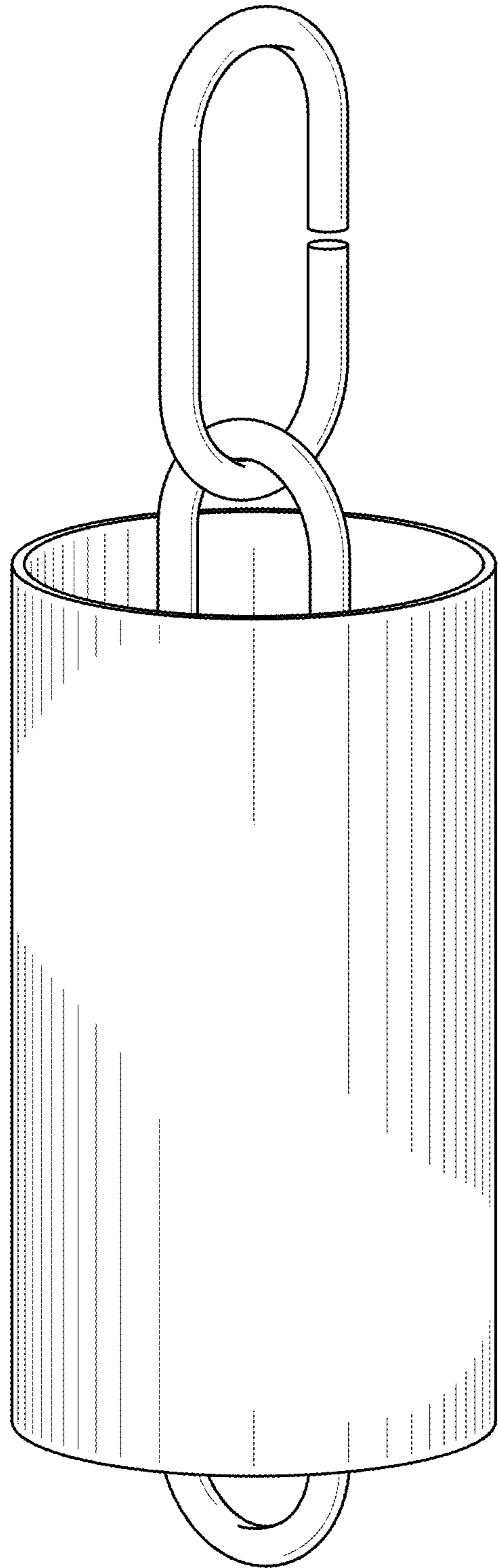


FIG. 1

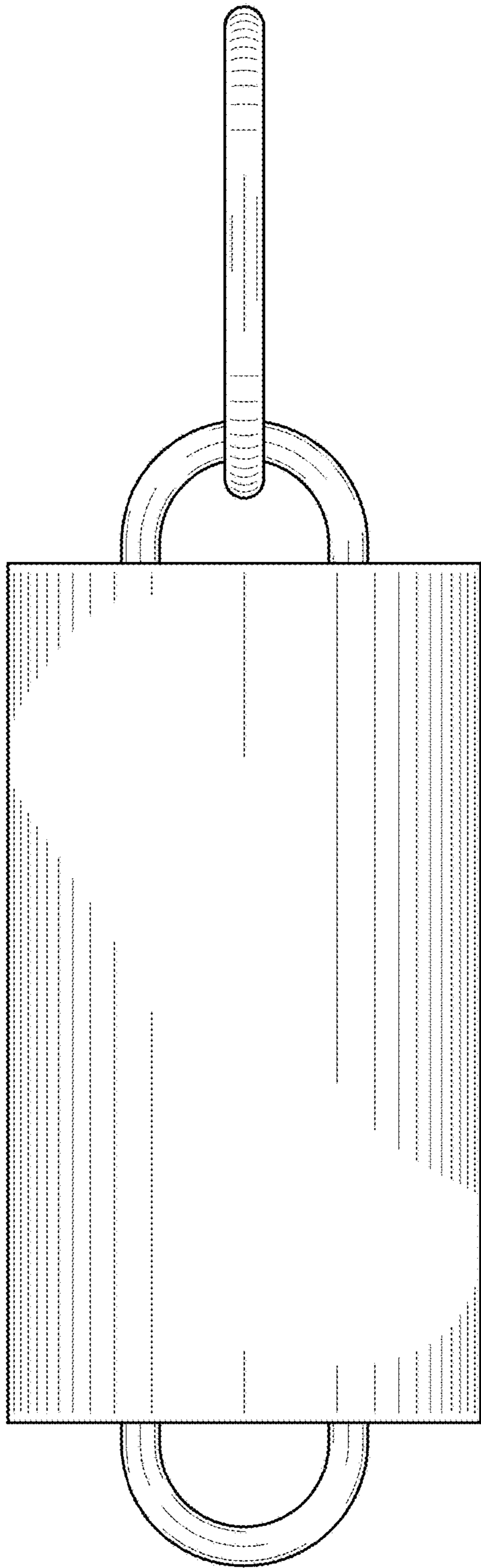


FIG. 2

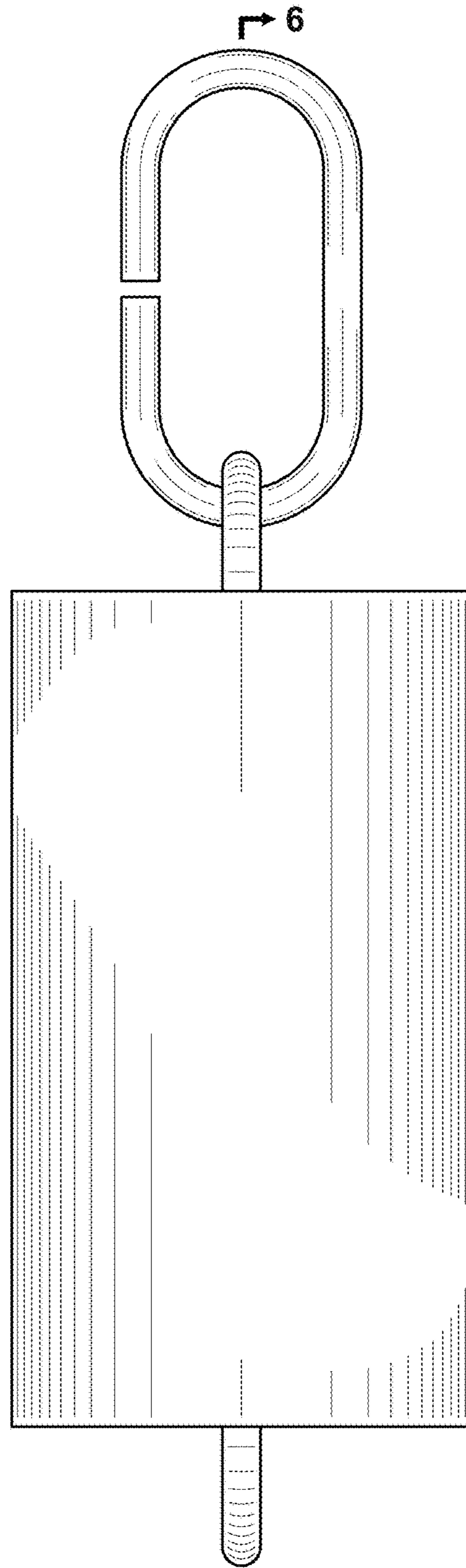


FIG. 3

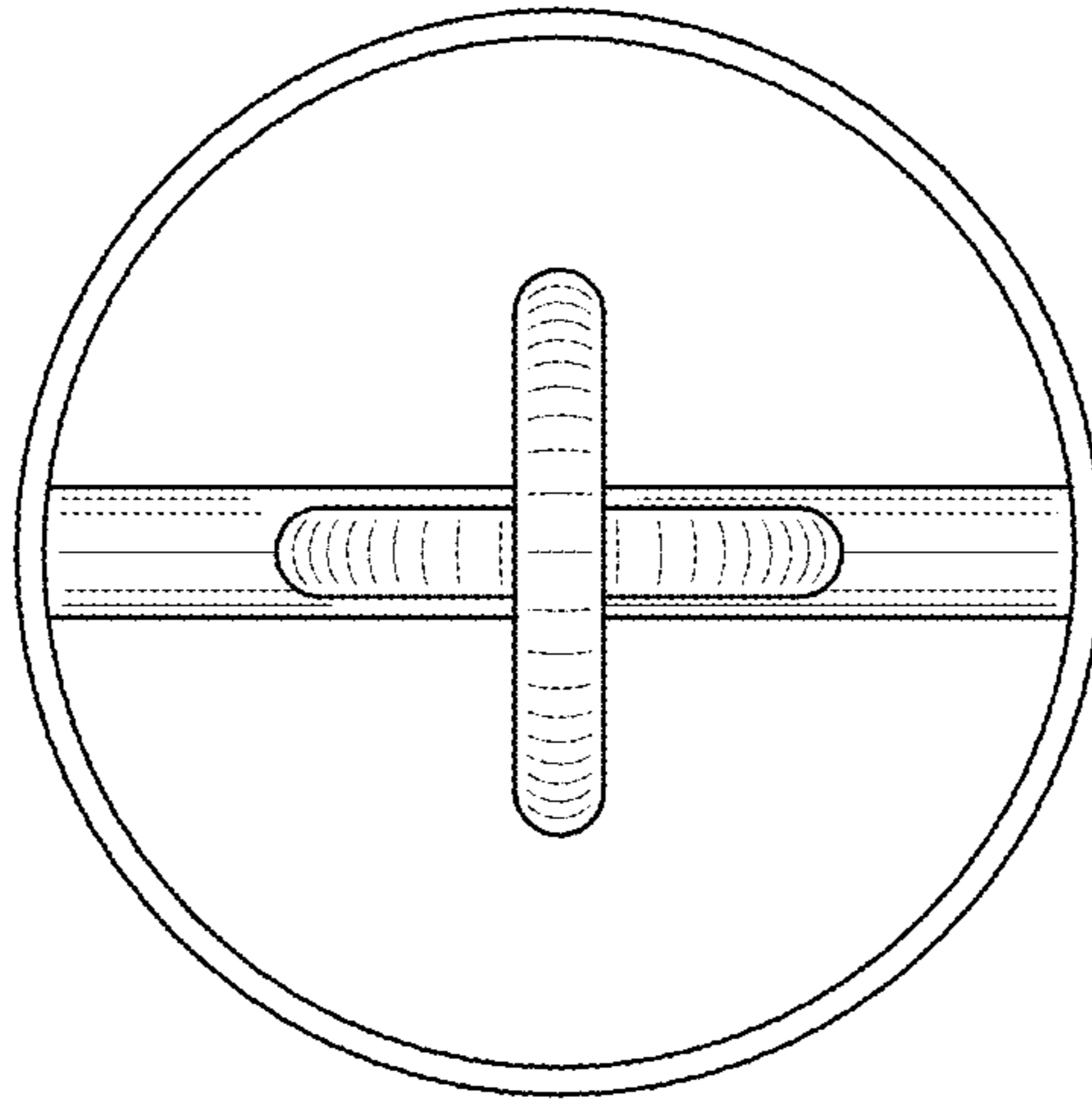


FIG. 4

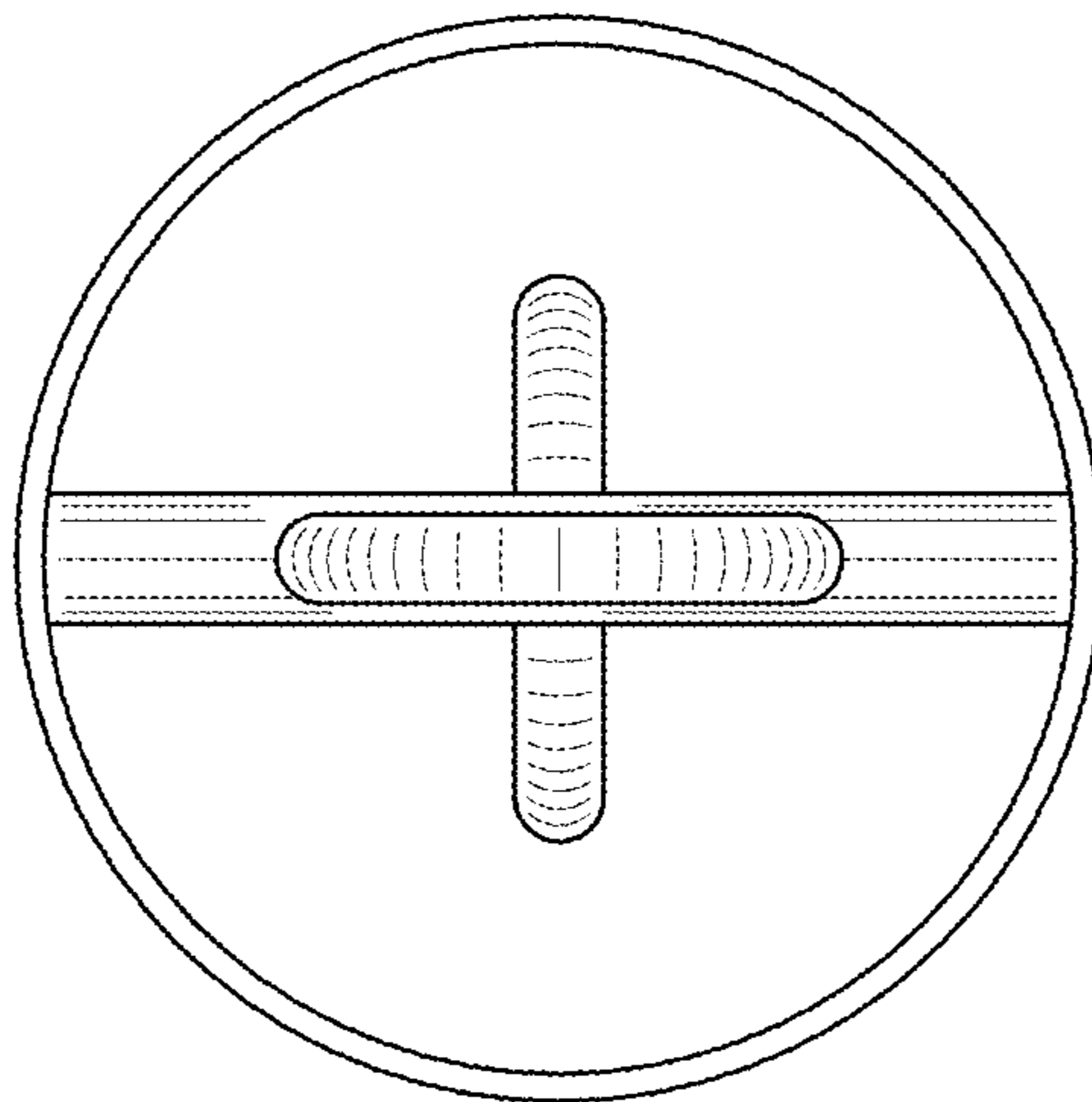


FIG. 5

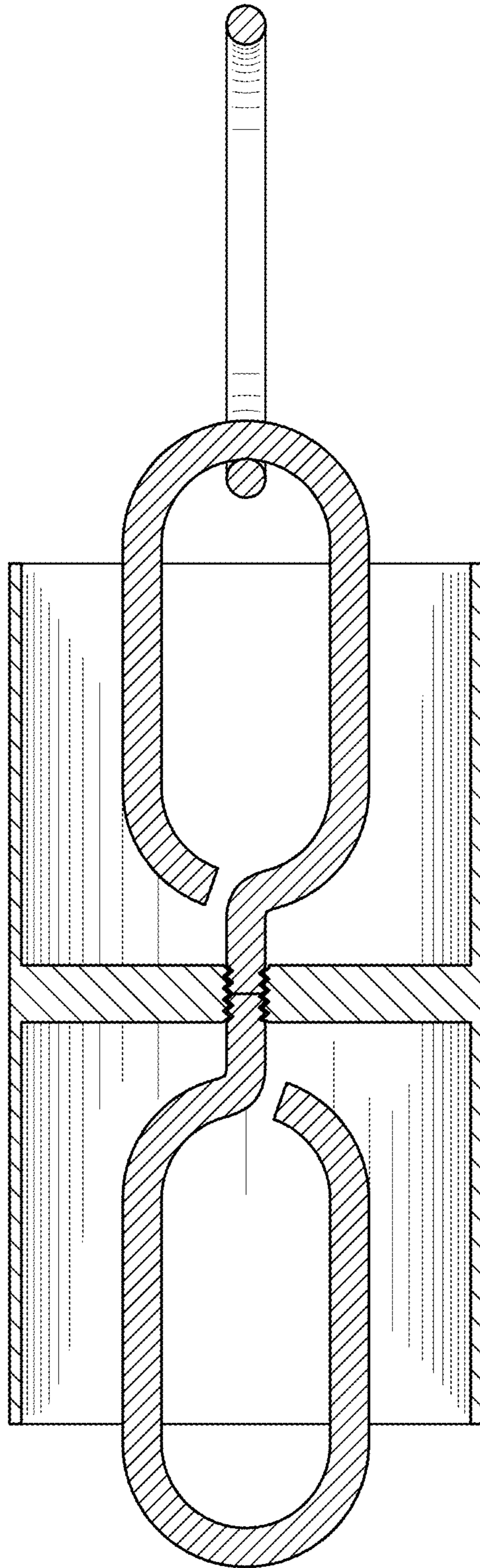


FIG. 6

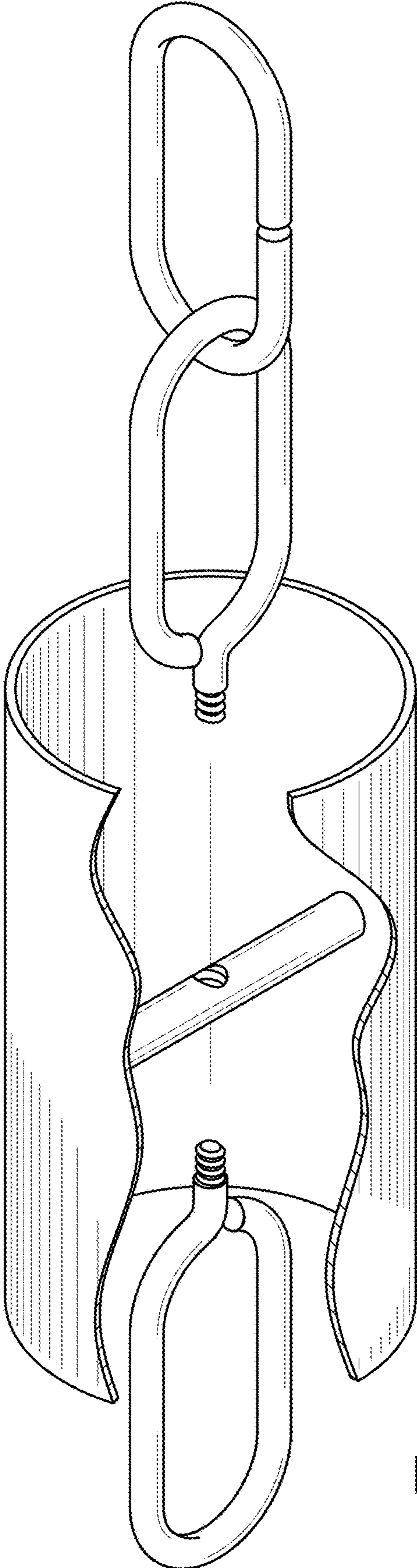


FIG. 7

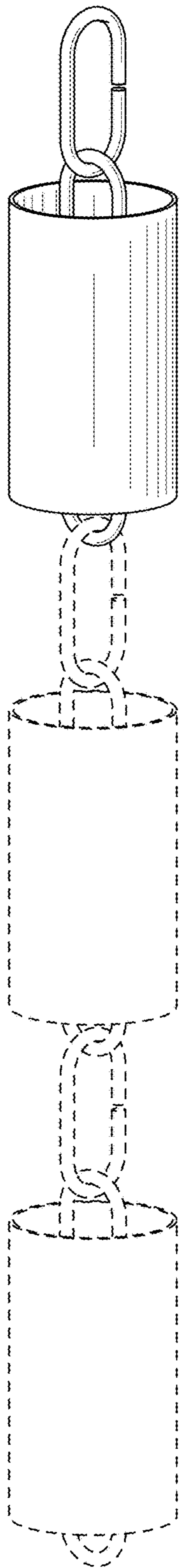


FIG. 8