



US00D790045S

(12) **United States Design Patent**
Beall

(10) **Patent No.:** **US D790,045 S**
(45) **Date of Patent:** **** Jun. 20, 2017**

(54) **RAIN CHAIN COMPONENT**

(71) Applicant: **Garm Beall**, Chatsworth, CA (US)

(72) Inventor: **Garm Beall**, Chatsworth, CA (US)

(**) Term: **15 Years**

(21) Appl. No.: **29/553,702**

(22) Filed: **Feb. 3, 2016**

(51) **LOC (10) Cl.** **23-01**

(52) **U.S. Cl.**
USPC **D23/267**

(58) **Field of Classification Search**

USPC D23/267; 428/24-26; D11/12-13, 117,
D11/141, 148; 59/78, 79.2; 137/615;
52/11, 12, 16; D30/124, 125
CPC . A47G 7/04; A47G 7/08; A47G 7/045; A47G
7/047; A47G 7/085; E04D 13/04; E04D
13/08; E04D 13/076; E04D 13/068; E04D
13/0767; F16L 27/0861

See application file for complete search history.

(56) **References Cited**

U.S. PATENT DOCUMENTS

D547,423 S *	7/2007	Lindsay	D23/267
D569,488 S *	5/2008	Lindsay	D23/267
D603,483 S *	11/2009	Lindsay	D23/267
D651,289 S *	12/2011	Beall	D23/261
D698,102 S *	1/2014	Muhr	D30/124
D698,103 S *	1/2014	Muhr	D30/124
D732,645 S *	6/2015	Beall	D23/267
D737,414 S *	8/2015	Beall	D23/267

OTHER PUBLICATIONS

Youtube: Lotus Rain Chain featured on Hallmark channel TV Show
“Home & Family”: <https://www.youtube.com/watch?v=0FRnZSwuEo> Published by Garm Beall Published on
May 22, 2015. Found Jan. 3, 2017.*

* cited by examiner

Primary Examiner — Eric Goodman

Assistant Examiner — Amy Wierenga

(74) *Attorney, Agent, or Firm* — Kelly & Kelley, LLP

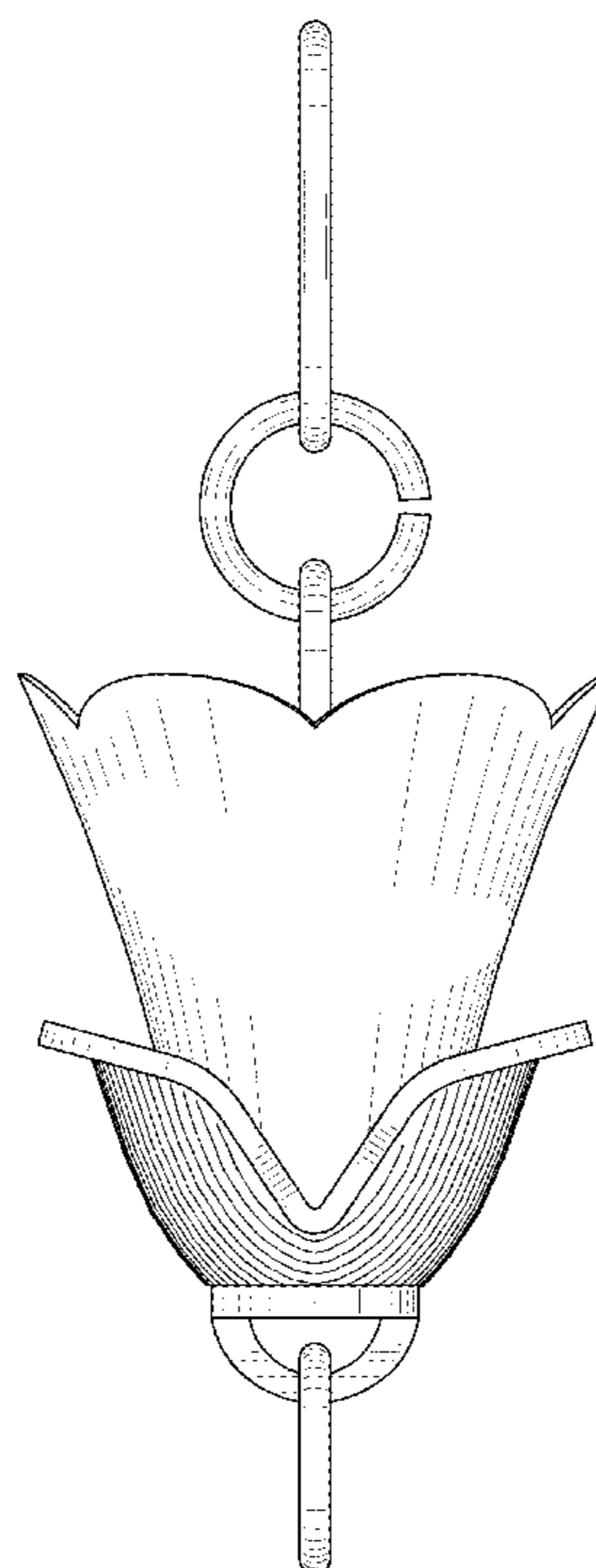
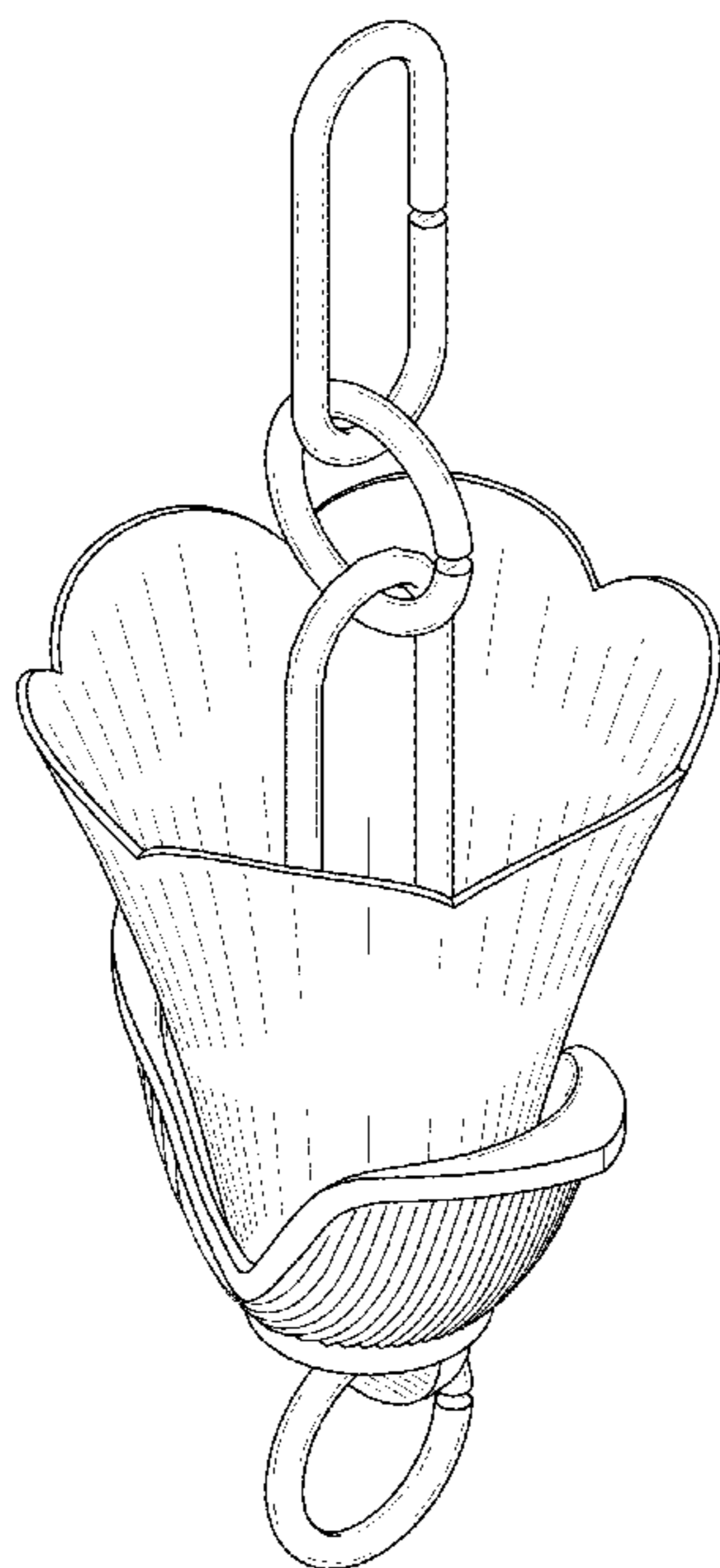
(57) **CLAIM**

The ornamental design for a rain chain component, as shown
and described.

DESCRIPTION

FIG. 1 is an upper perspective view of a rain chain component;
FIG. 2 is a lower perspective view of the rain chain component;
FIG. 3 is a front elevational view of the rain chain component, the rear view being a mirror image thereof;
FIG. 4 is a side elevational view of the rain chain component, the opposite side view being a mirror image thereof;
FIG. 5 is a top plan view of the rain chain component;
FIG. 6 is a bottom plan view of the rain chain component;
and,
FIG. 7 is an upper perspective view of the rain chain component shown in a position of use interconnected to multiple components to form a rain chain.
The broken lines are for the purpose of illustrating environment only that form no part of the claim.

1 Claim, 6 Drawing Sheets



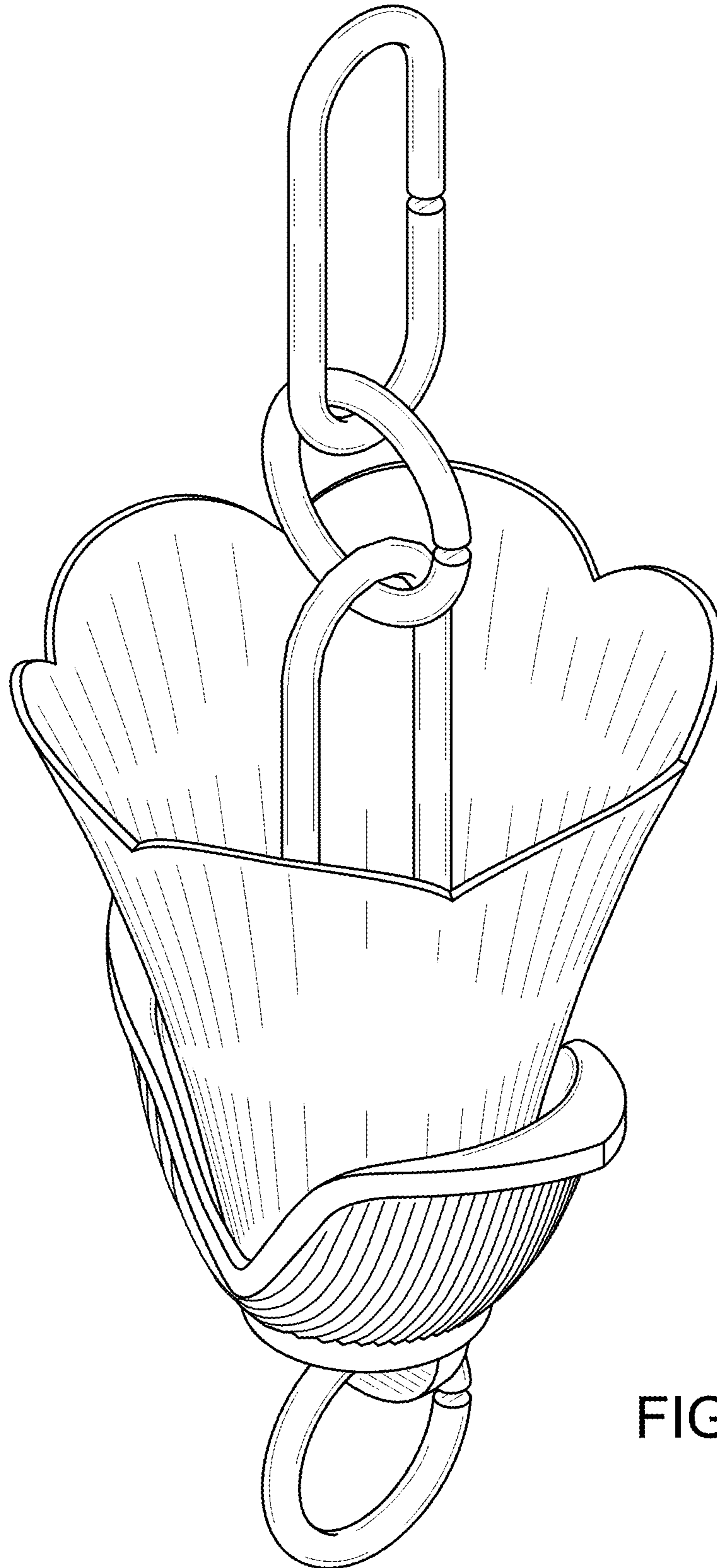


FIG. 1

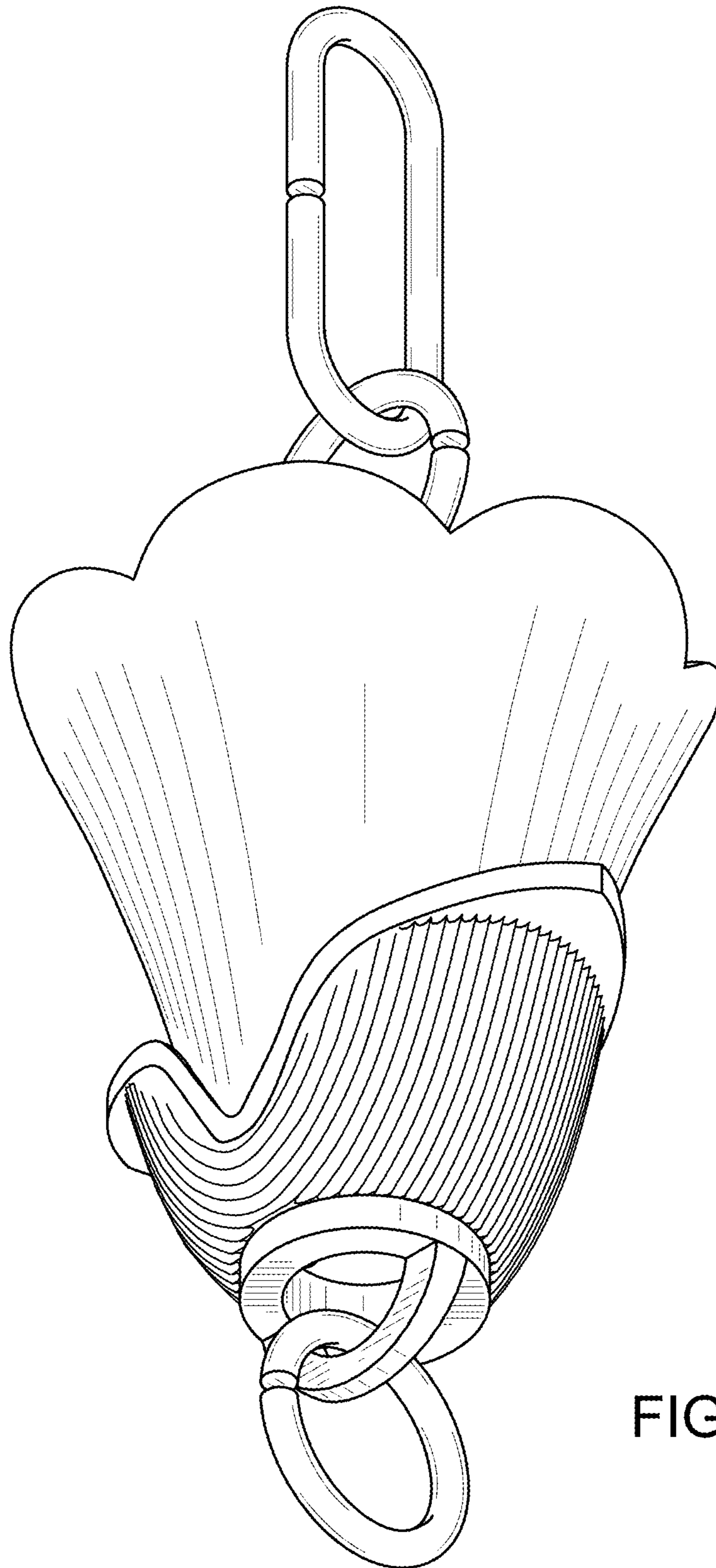


FIG. 2

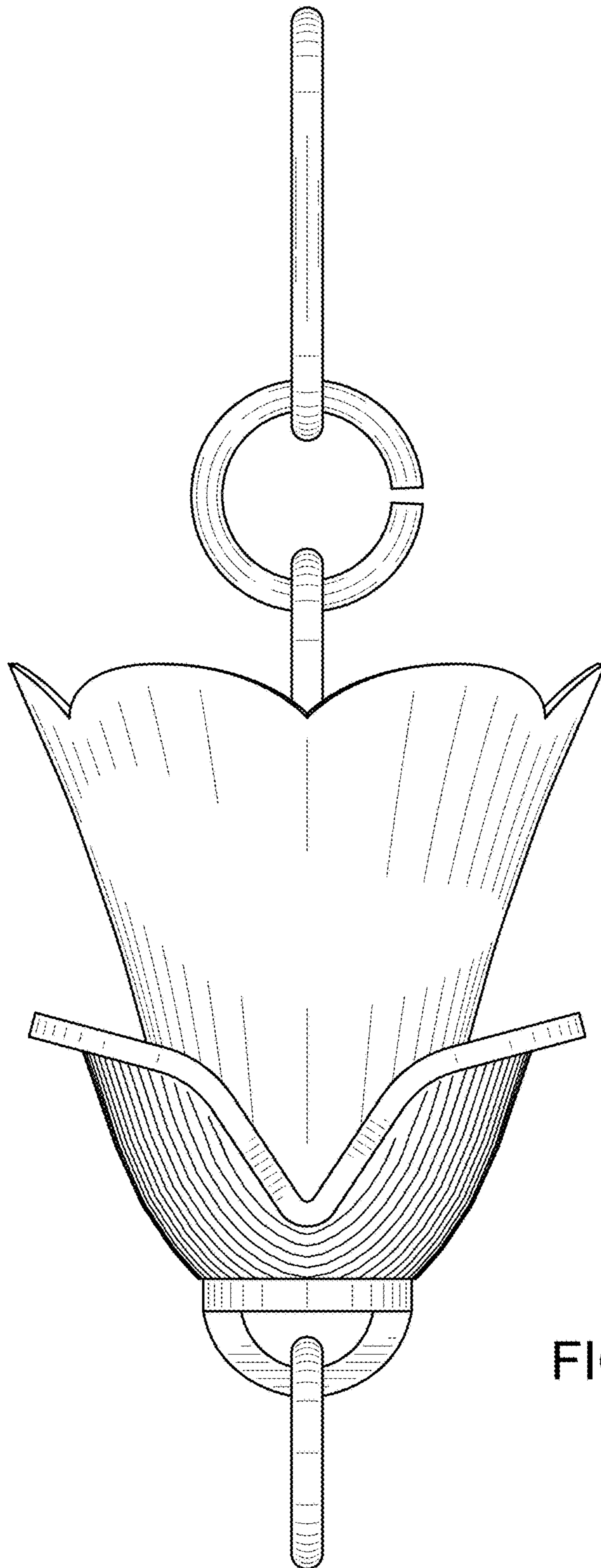


FIG. 3

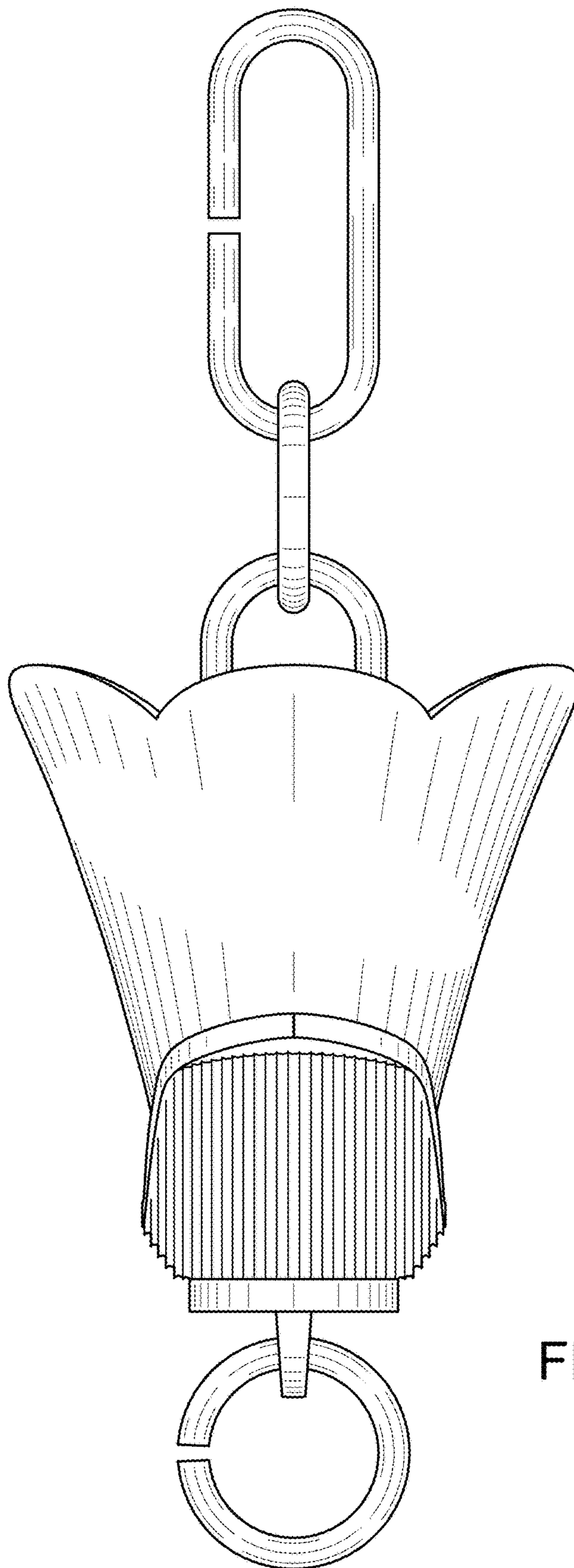


FIG. 4

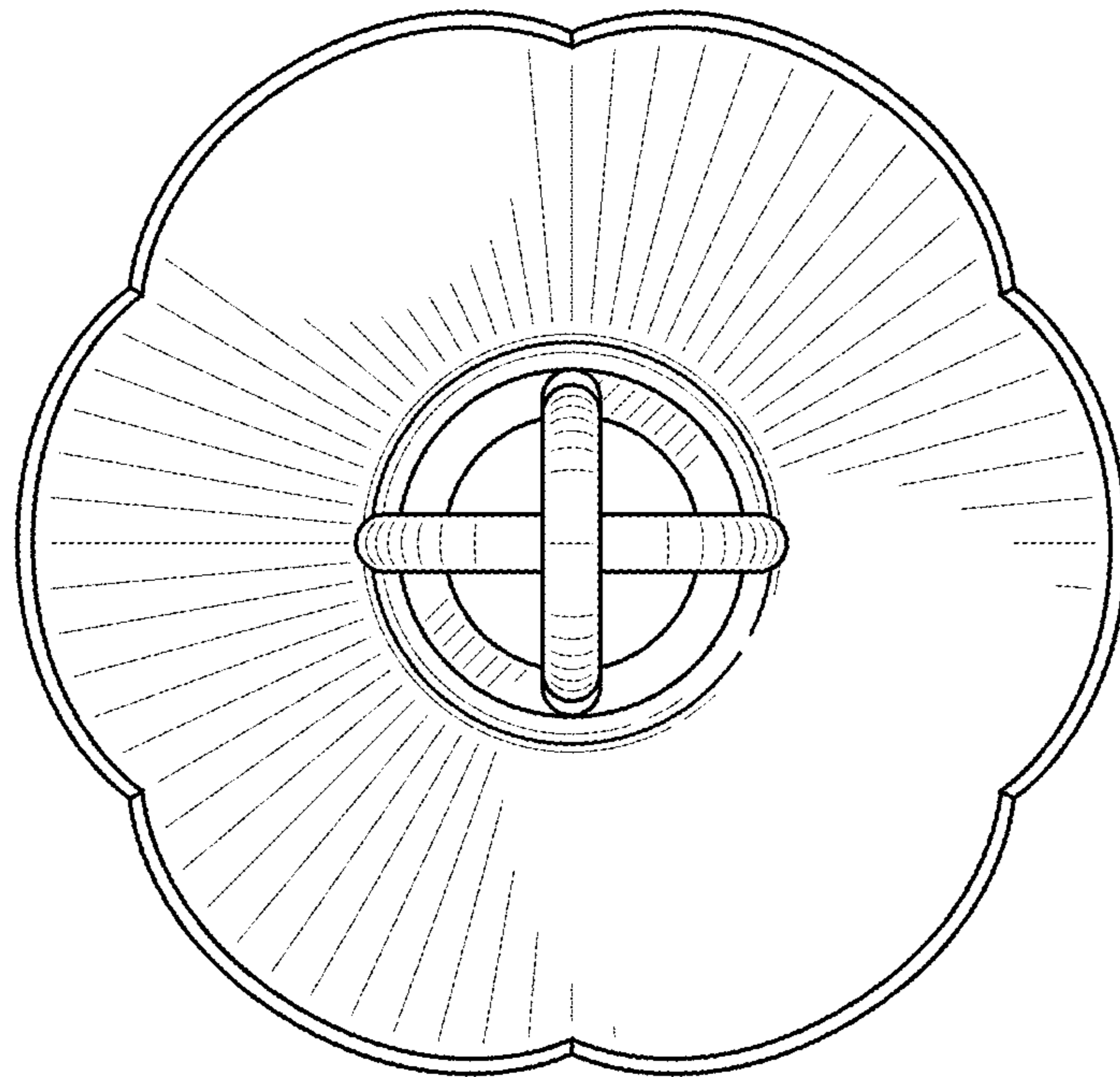


FIG. 5

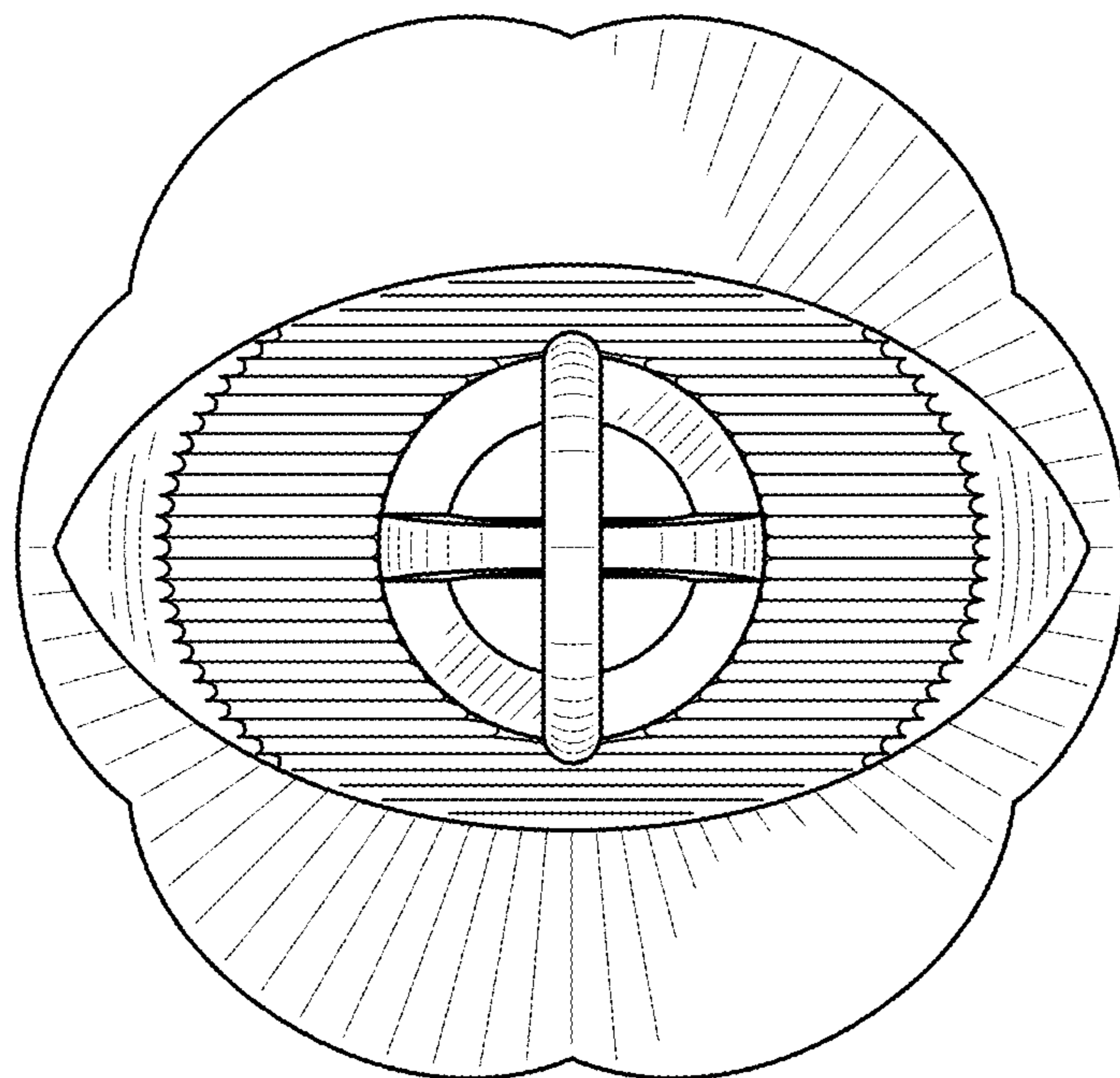


FIG. 6

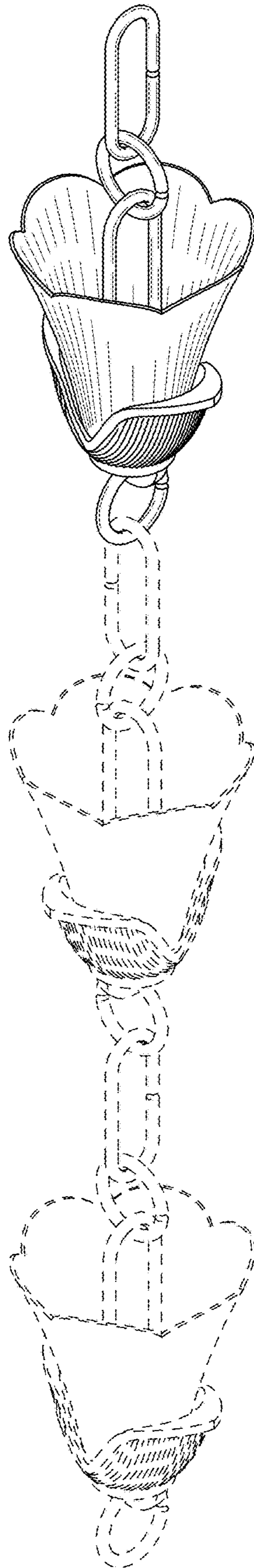


FIG. 7