



US00D790044S

(12) **United States Design Patent**
Li

(10) **Patent No.:** **US D790,044 S**
(45) **Date of Patent:** **** Jun. 20, 2017**

(54) **CONNECTOR**

(71) Applicant: **Zhi Li**, Dafang (CN)

(72) Inventor: **Zhi Li**, Dafang (CN)

(**) Term: **15 Years**

(21) Appl. No.: **29/565,285**

(22) Filed: **May 19, 2016**

(51) **LOC (10) Cl.** **23-01**

(52) **U.S. Cl.**
USPC **D23/262**

(58) **Field of Classification Search**
USPC D23/259–265, 268–269, 233; D24/129;
D8/382–383, 387, 397; 251/144, 148,
251/149.1, 149.3, 149.6, 152, 150;
285/11–12, 34–35, 275; D13/133,
D13/150–151, 154; 439/135, 246, 252,
439/306
CPC ... F16L 37/091; F16L 37/0842; F16L 37/113;
F16L 37/252; F16L 19/061; F16L 19/10;
F16L 19/0265; F16L 33/224; F16L 15/04
See application file for complete search history.

(56) **References Cited**

U.S. PATENT DOCUMENTS

2,106,444	A *	1/1938	Tornblom	H02G 3/088	285/386
3,162,470	A *	12/1964	Owens	F16L 37/113	285/272
5,028,078	A *	7/1991	Schwarz	F16L 19/10	285/12
5,368,058	A *	11/1994	Gold	B01D 61/10	137/1
D397,413	S *	8/1998	Sapp	D23/262	
5,980,175	A *	11/1999	Zimmerman	H01R 13/73	285/46

6,554,320	B2 *	4/2003	Cresswell	F16L 37/088	285/256
D543,259	S *	5/2007	Chueh	D23/262	
D554,237	S *	10/2007	Lewis	D23/259	
D612,716	S *	3/2010	Lutz	D8/397	
7,980,599	B2 *	7/2011	Schindel	F16L 37/28	285/277
D664,504	S *	7/2012	Alrutz	D13/151	
D694,280	S *	11/2013	Frazier	D15/21	
8,641,013	B2 *	2/2014	Liu	F16L 37/42	251/149.6
D706,126	S *	6/2014	Orow	D8/397	
2016/0040812	A1 *	2/2016	Lai	F16L 37/091	285/70
2016/0230911	A1 *	8/2016	Taylor	F16L 19/061	

* cited by examiner

Primary Examiner — Eric Goodman
Assistant Examiner — Amy Wierenga
(74) *Attorney, Agent, or Firm* — Shimokaji IP

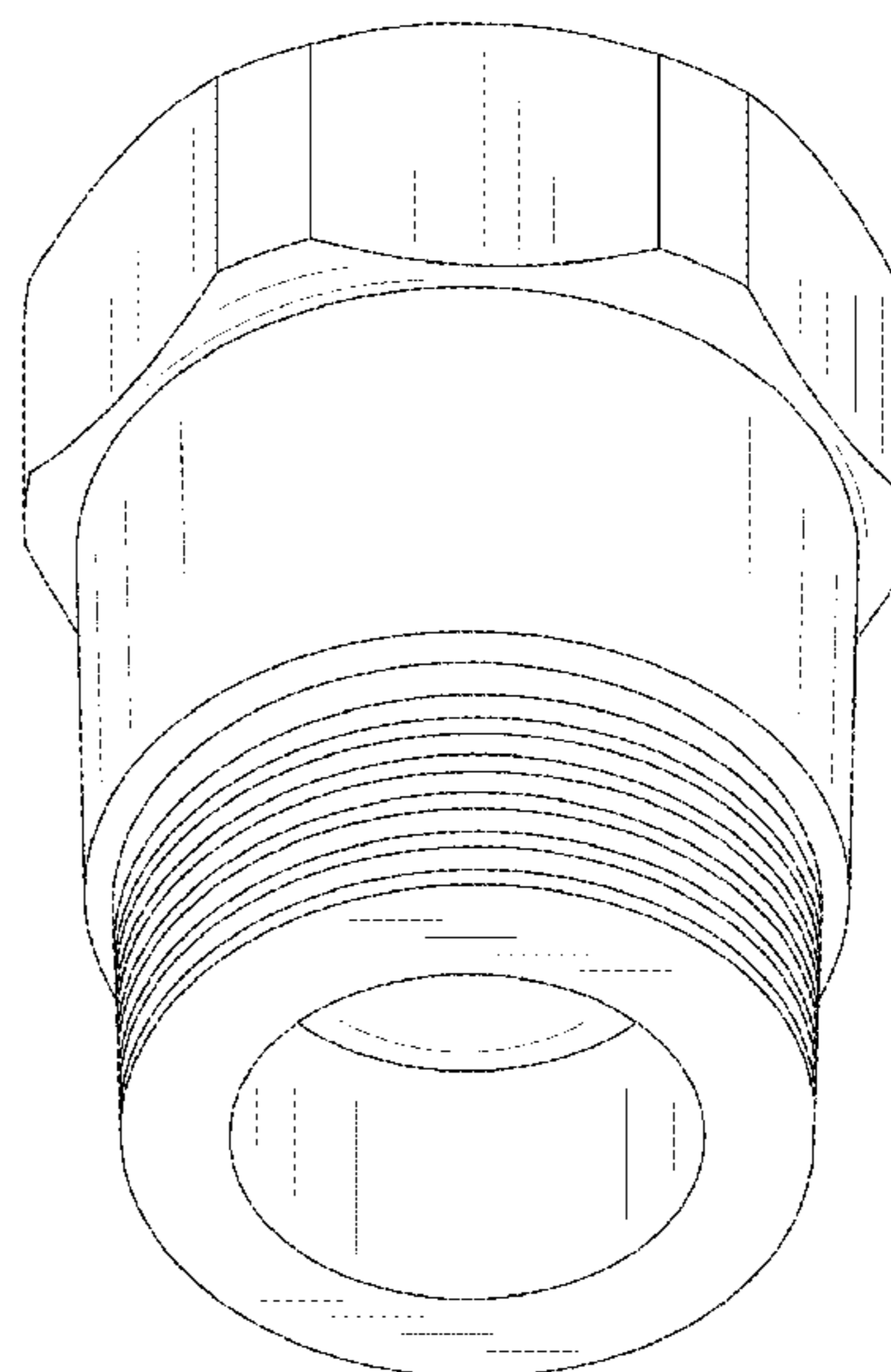
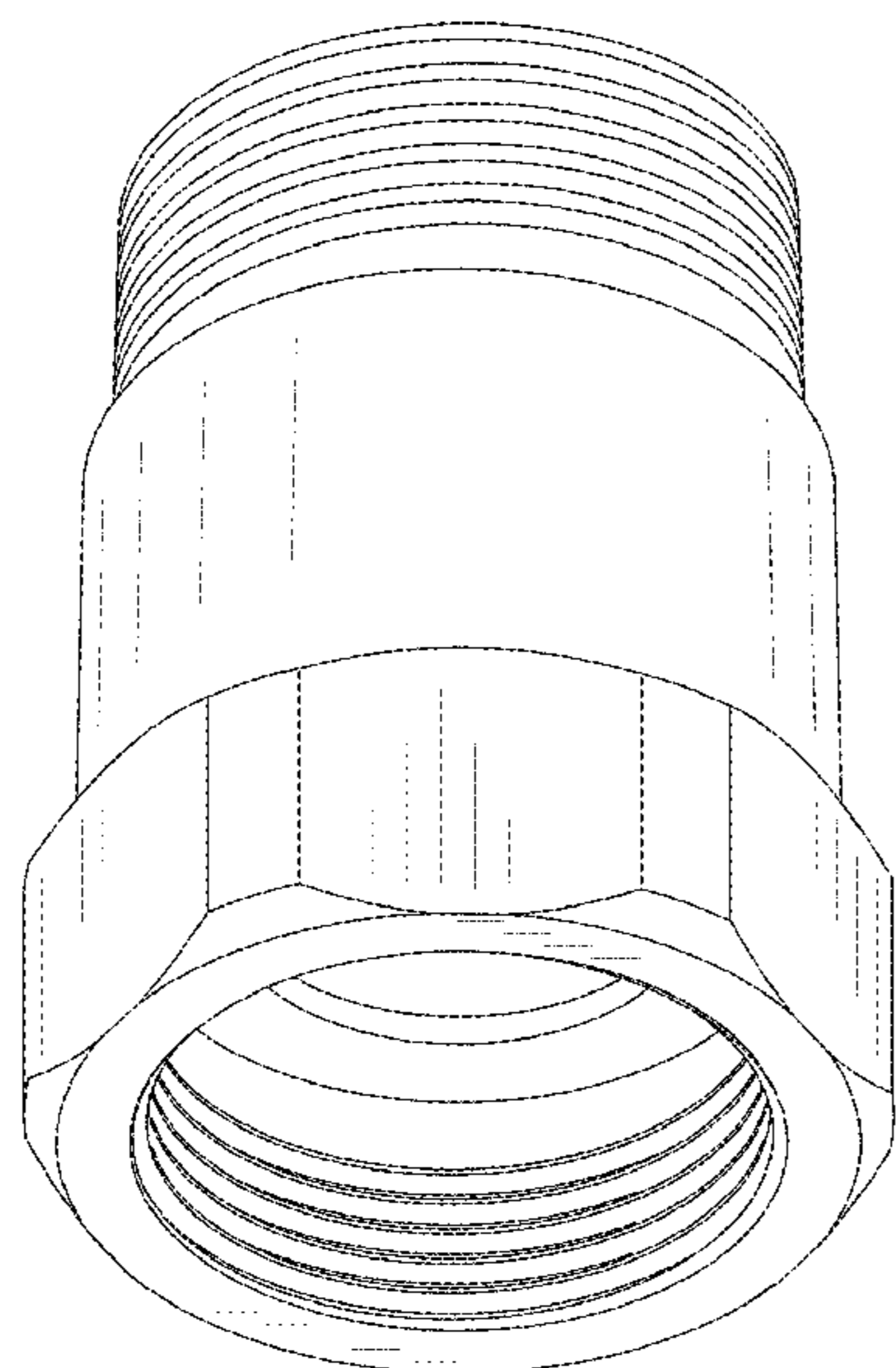
(57) **CLAIM**

The ornamental design for a connector, as shown and described.

DESCRIPTION

FIG. 1 is a front elevational view of a connector showing my new design;
FIG. 2 is a rear elevational view thereof;
FIG. 3 is a left side elevational view thereof;
FIG. 4 is a right side elevational view thereof;
FIG. 5 is a top plan view thereof;
FIG. 6 is a bottom plan view thereof;
FIG. 7 is a bottom perspective view thereof;
FIG. 8 is a top perspective view thereof; and,
FIG. 9 is a sectional view taken along line 9-9 of FIG. 5.

1 Claim, 8 Drawing Sheets



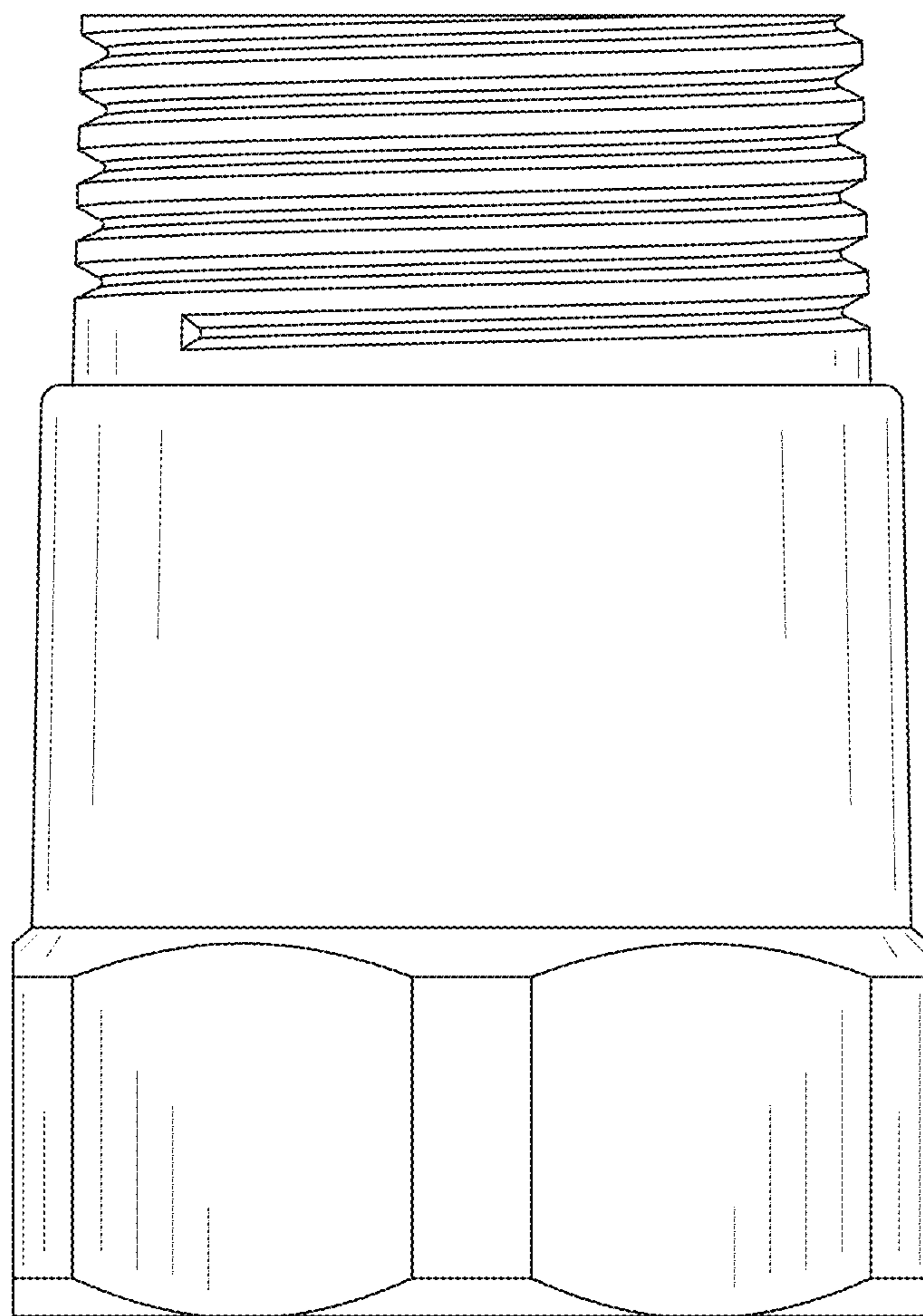


FIG.1

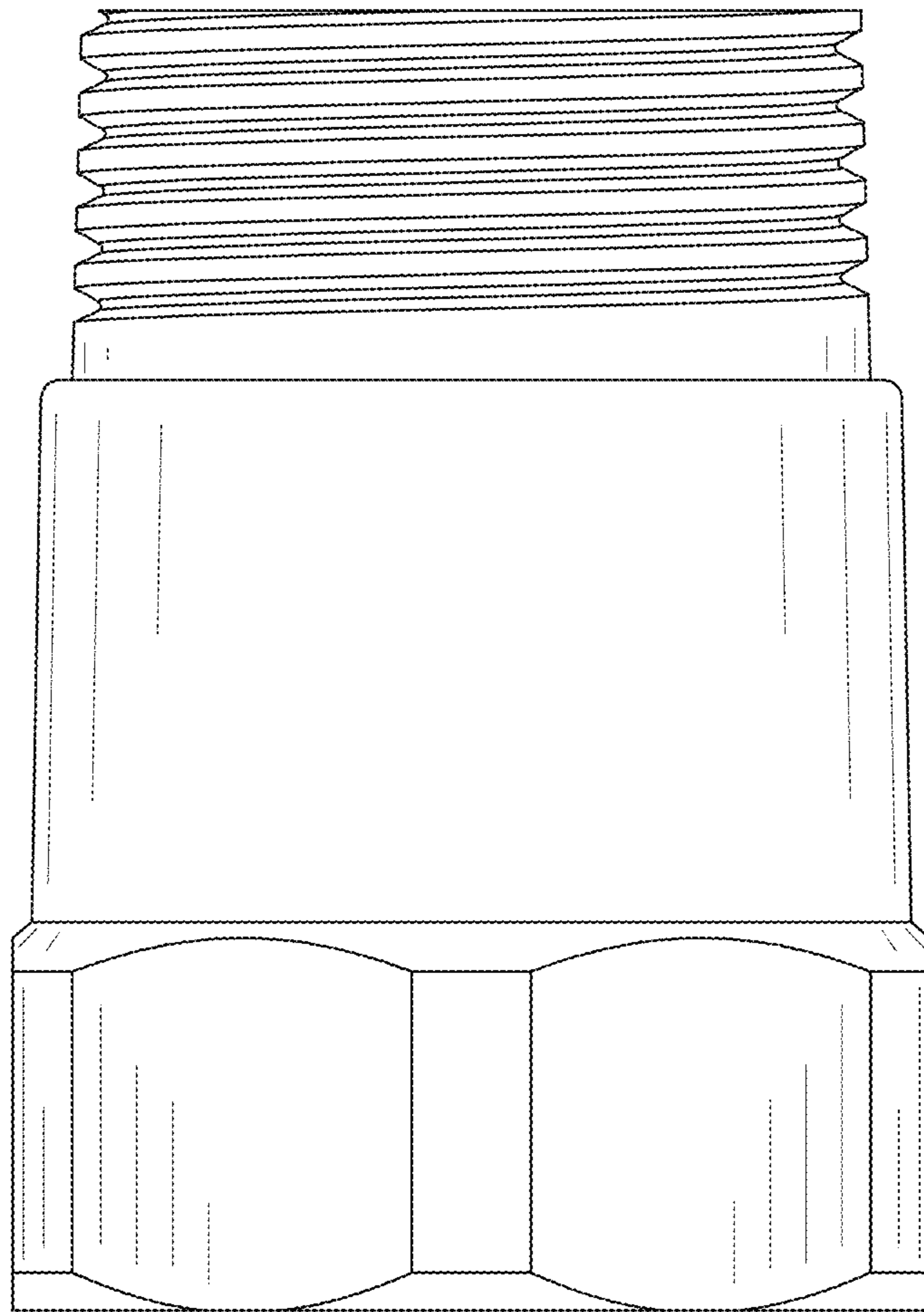


FIG.2

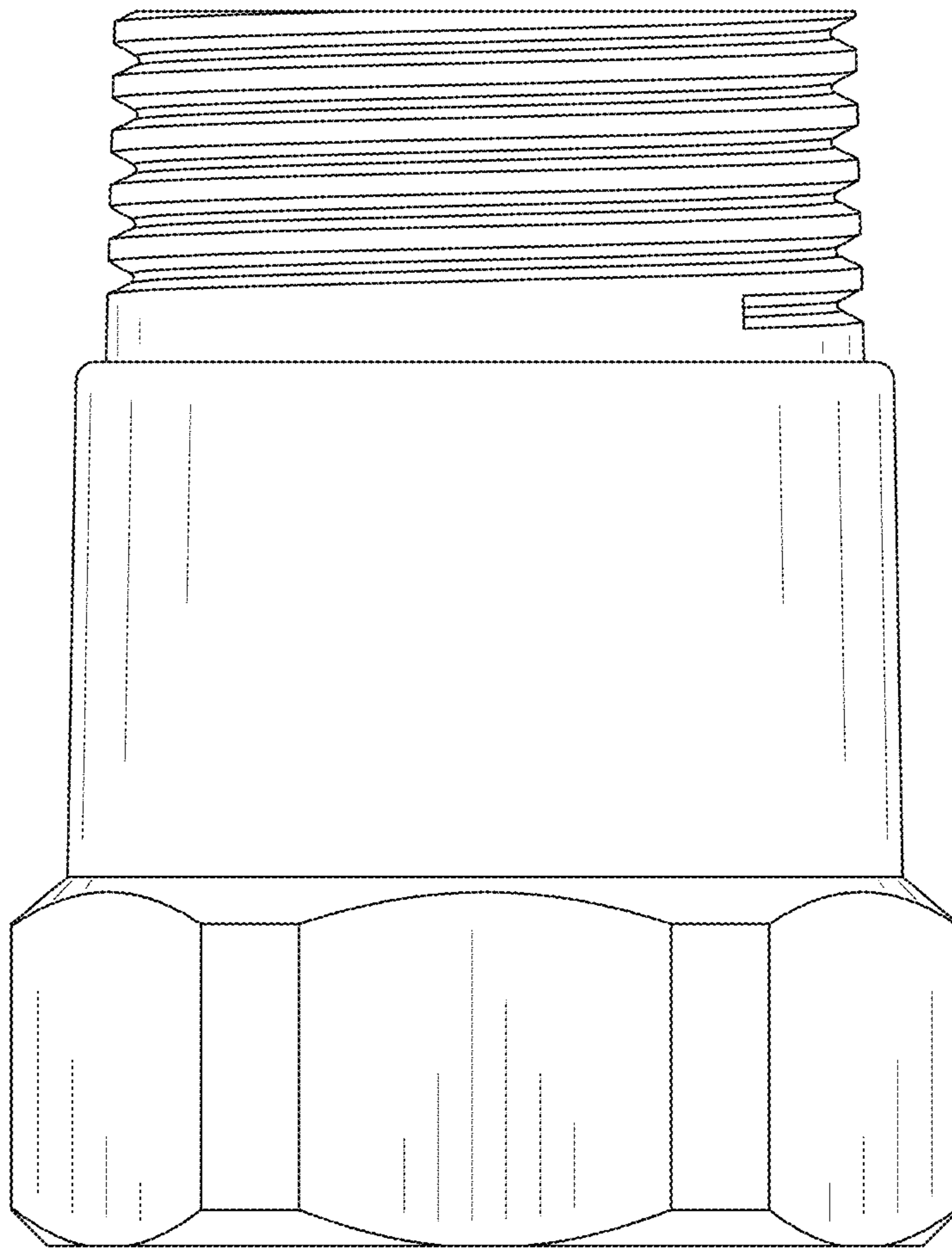


FIG.3

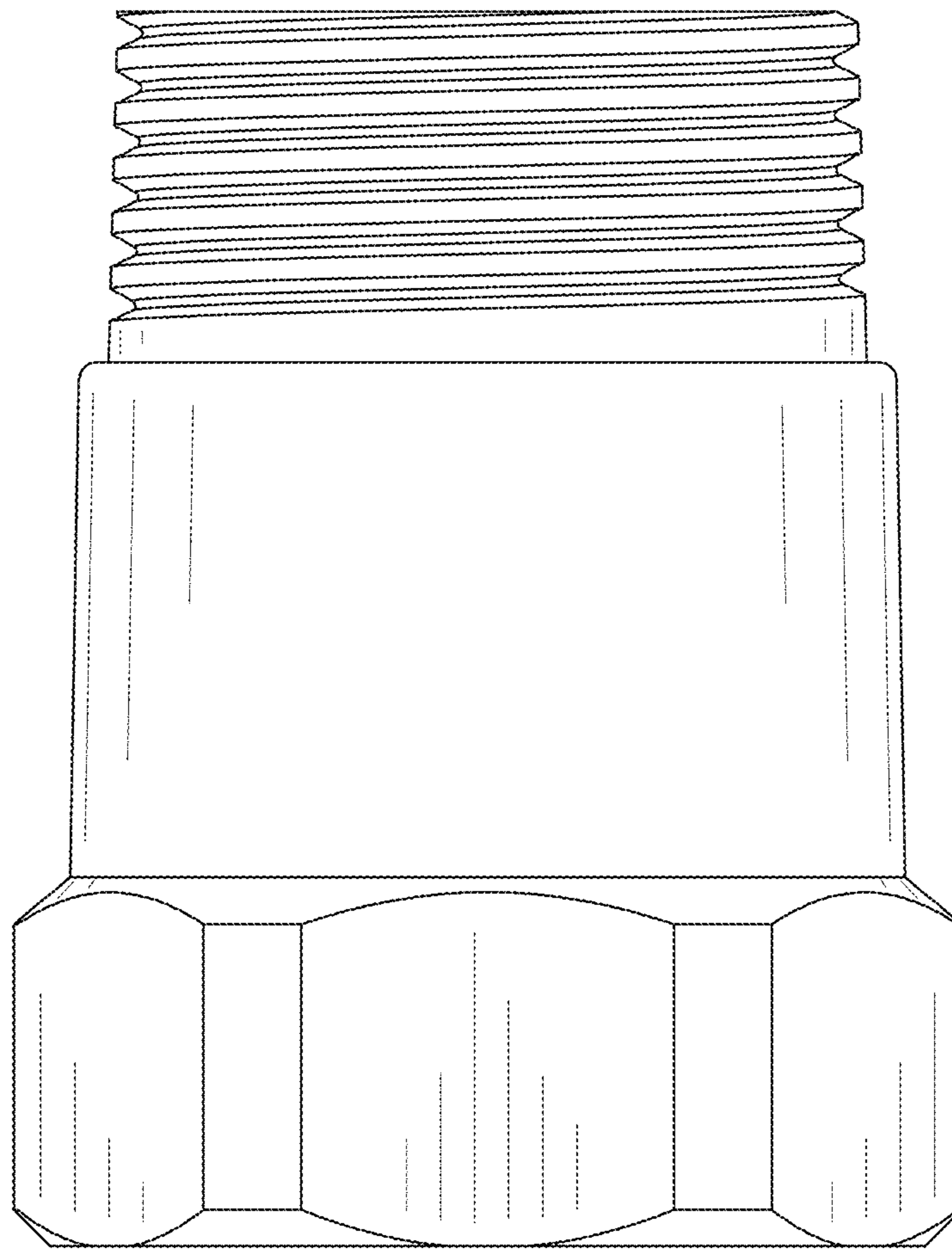


FIG.4

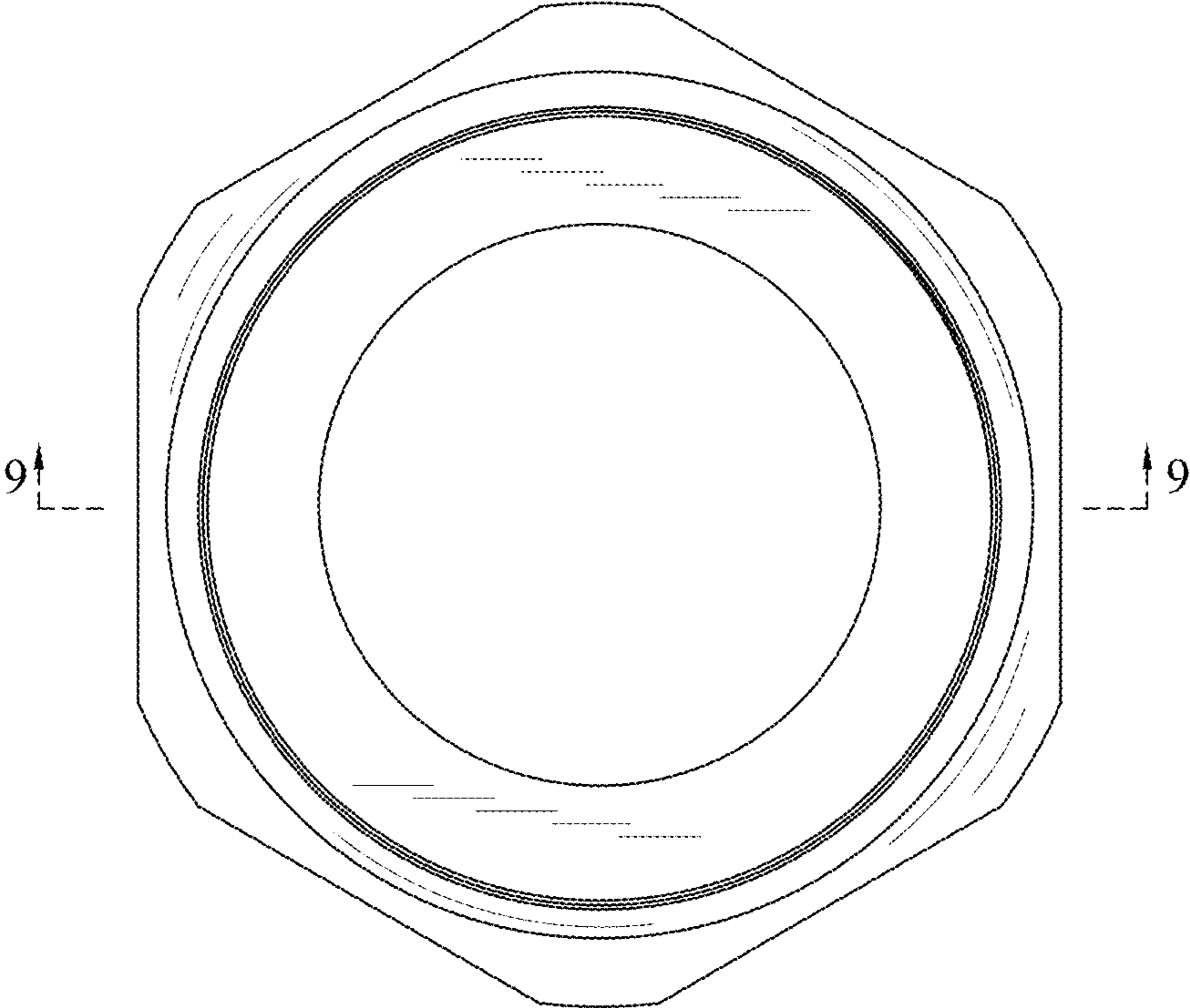


FIG.5

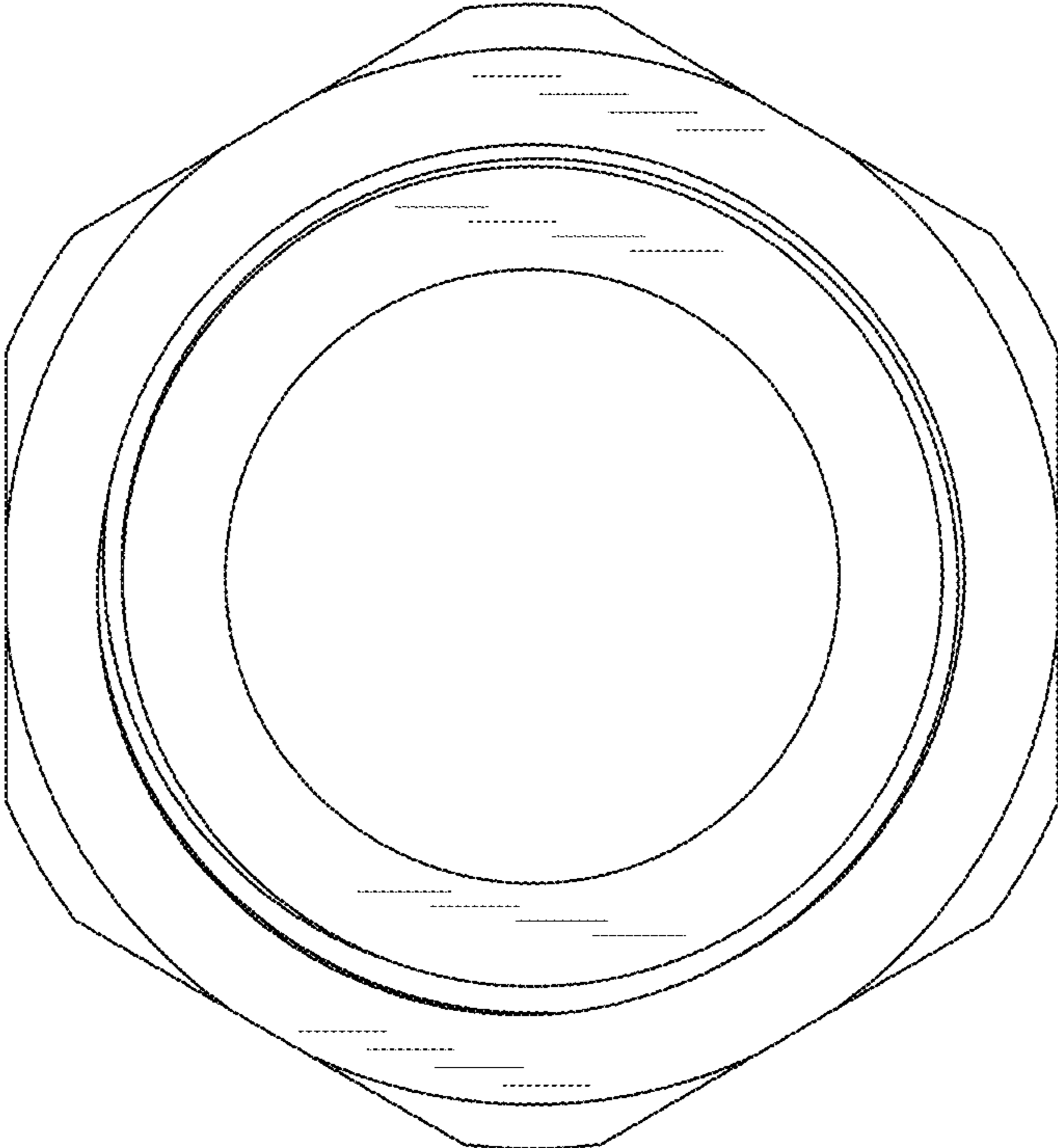


FIG.6

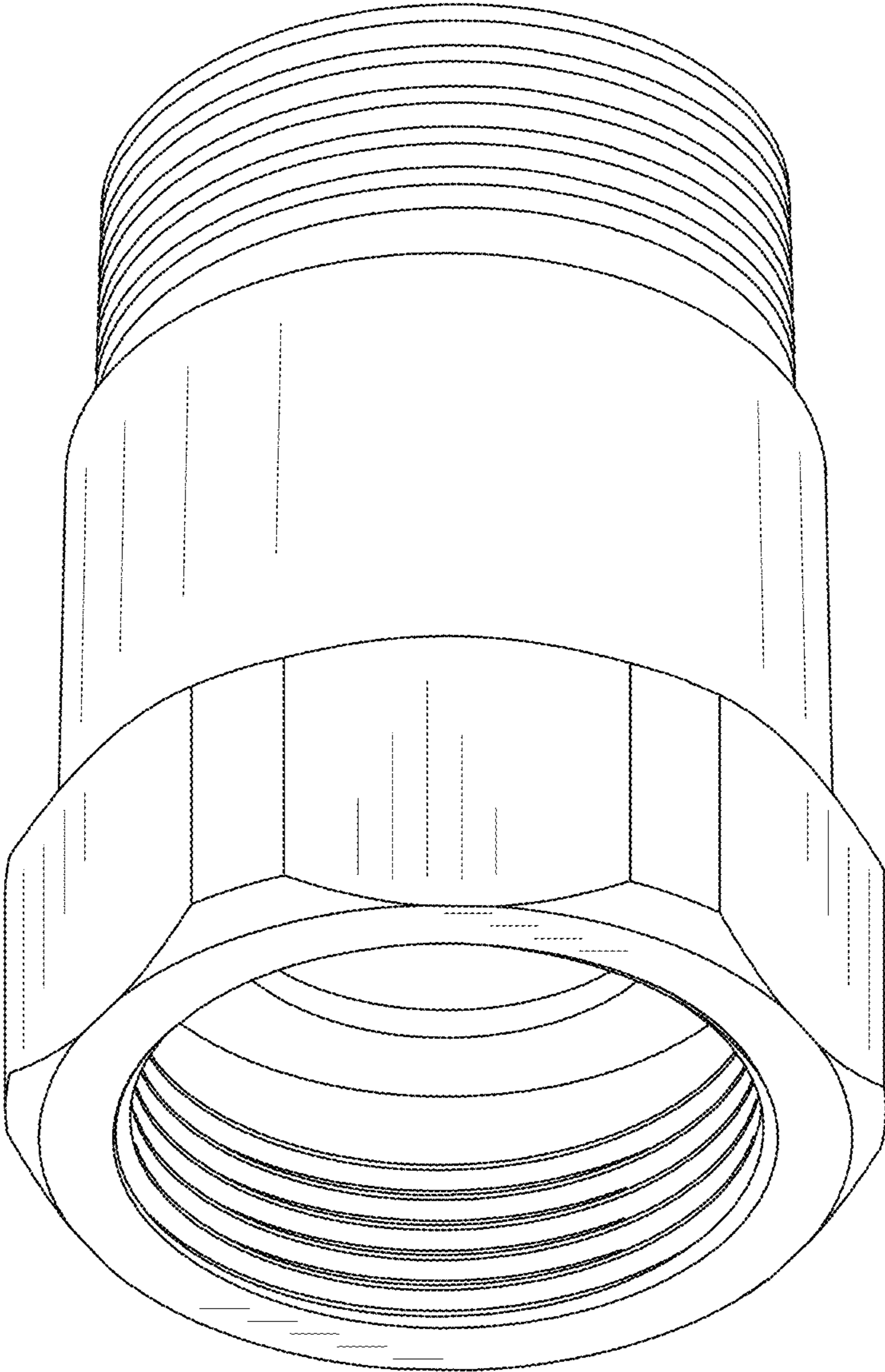


FIG.7

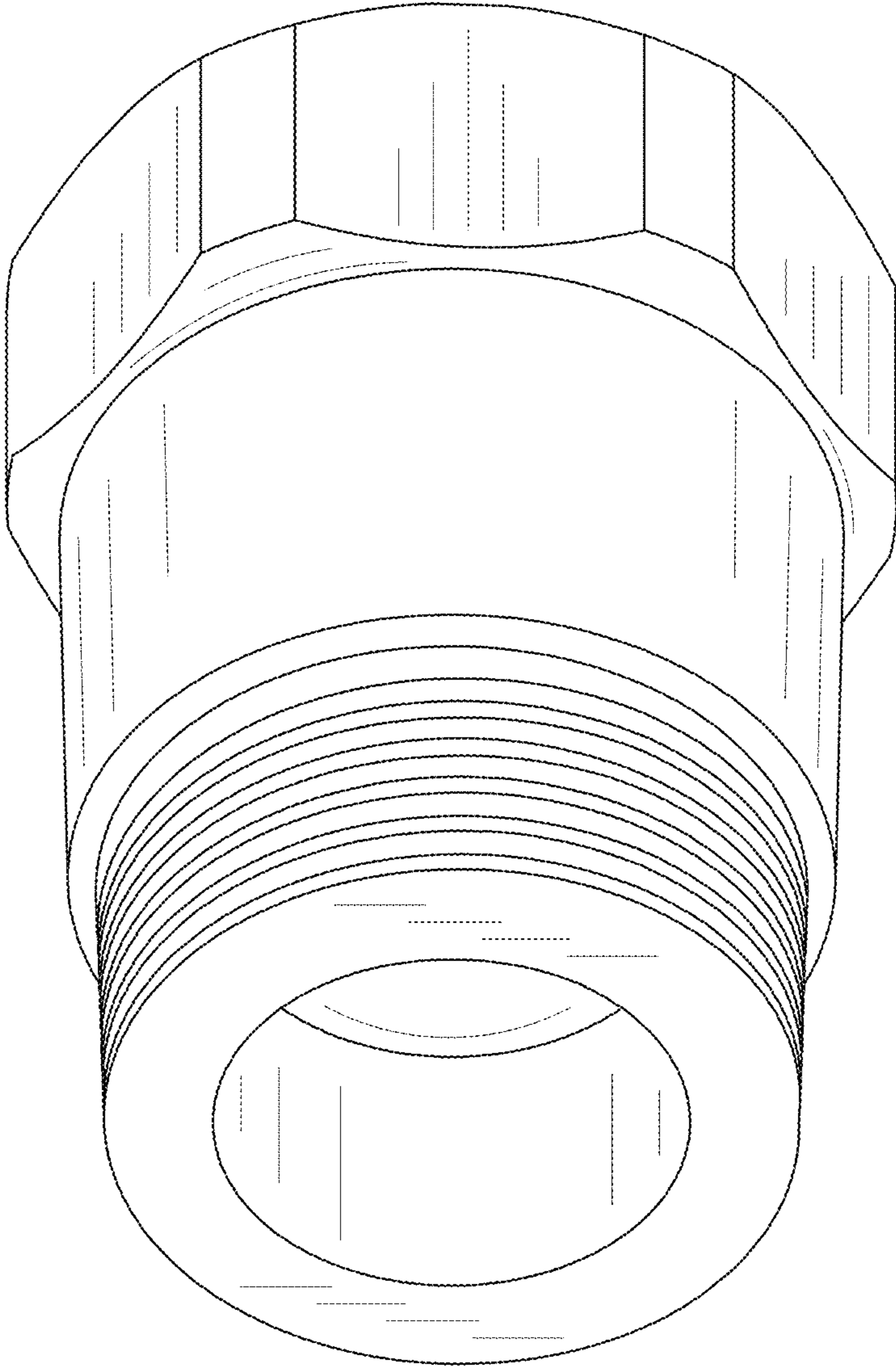


FIG.8

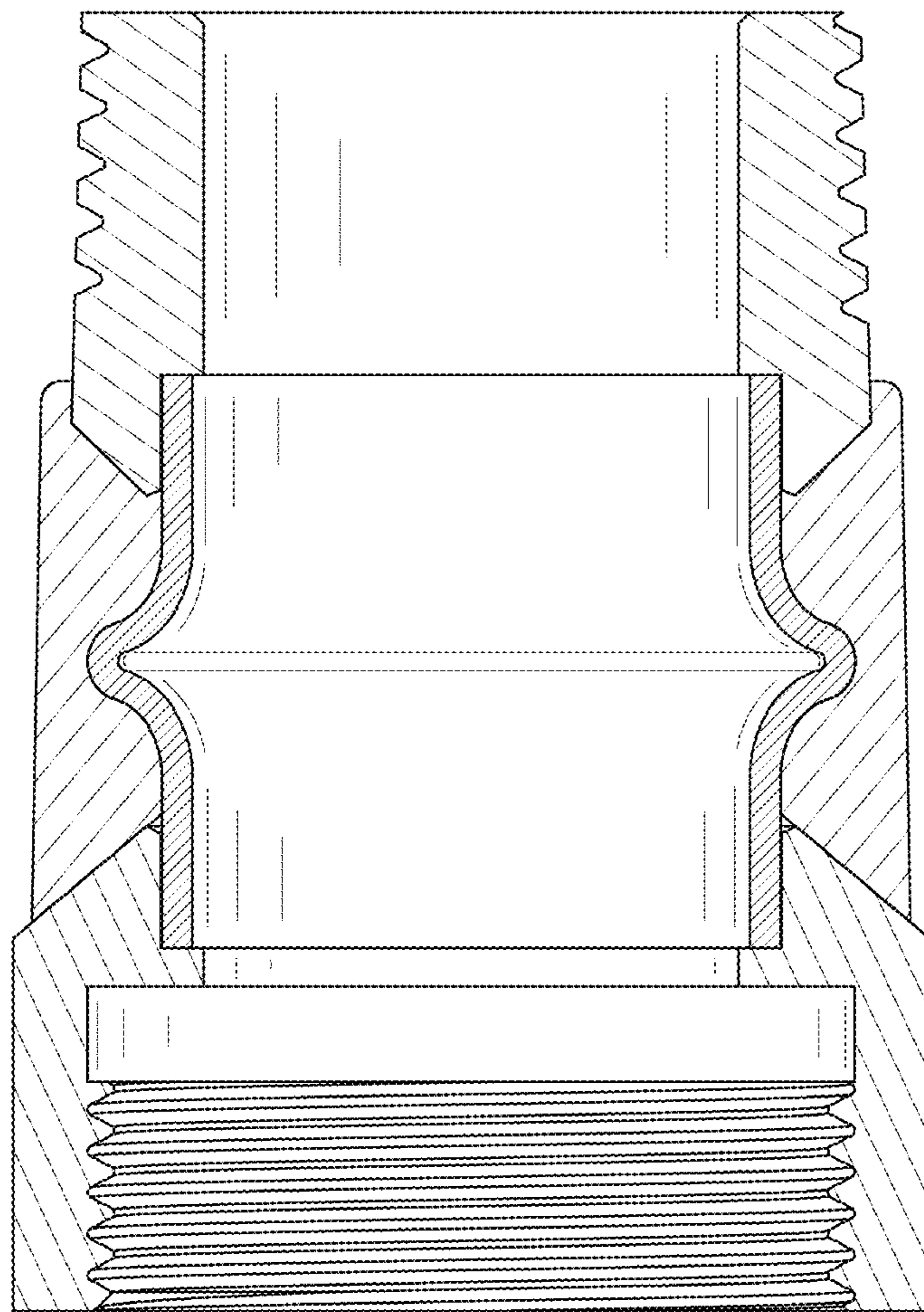


FIG.9