



US00D790043S

(12) **United States Design Patent**
Stout

(10) **Patent No.:** **US D790,043 S**

(45) **Date of Patent:** **** Jun. 20, 2017**

- (54) **UNIVERSAL DRAIN ADAPTER**
- (71) Applicant: **Clark Everett Stout**, Ellisville, MO (US)
- (72) Inventor: **Clark Everett Stout**, Ellisville, MO (US)
- (73) Assignee: **Metaltech, Inc.**, Kirkwood, MO (US)
- (**) Term: **15 Years**

- 5,511,829 A 4/1996 Sicotte
- 5,813,701 A 9/1998 Noble
- 6,007,110 A 12/1999 Amatsutsu
- 6,041,825 A * 3/2000 Smith F16L 11/15
138/109
- 6,830,065 B2 * 12/2004 Sinur F16K 15/03
137/527.8
- 7,017,614 B2 3/2006 Handley
- D671,624 S * 11/2012 Harman D23/267
- D673,249 S * 12/2012 Harman D23/267

(Continued)

- (21) Appl. No.: **29/549,276**
- (22) Filed: **Dec. 21, 2015**
- (51) **LOC (10) Cl.** **23-01**
- (52) **U.S. Cl.**
USPC **D23/262; D23/267**
- (58) **Field of Classification Search**
USPC D23/259–262, 265–269, 393; 285/4, 64,
285/148.24, 184, 226, 239, 404, 424, 903;
52/16; 138/119
CPC E04D 13/09; E04D 13/064; E04D 13/076;
E04D 13/07228; E04D 2013/0833; E04D
2013/082; E04D 2013/0866; E04D
2013/086; E04D 2013/0813; B01D 23/16;
B01D 23/18; F16L 11/15; F16L 25/14;
F16L 25/0009; F16L 25/0045; F16L
25/0063

See application file for complete search history.

(56) **References Cited**

U.S. PATENT DOCUMENTS

- 1,322,189 A * 11/1919 Holt E04D 13/064
285/368
- 2,480,791 A 8/1949 Valerius
- 3,471,179 A * 10/1969 Sixt F16L 21/005
138/89
- D234,596 S 3/1975 Sixt
- 4,173,361 A 11/1979 Gagas
- D278,077 S * 3/1985 Lott D23/267
- 5,150,930 A 9/1992 Petty
- D345,039 S * 3/1994 Doyle D34/28

OTHER PUBLICATIONS

Corrugated Drain Tile Downspout Adapter [Online]. Menards, Oct. 16, 2015. Retrieved from the Internet: <URL: www.menards.com/main/skin/plumbing/rough-plumbing/pipe-tubing-hoses-fittings-accessories/pipe/corrugated-pipe-fittings/4-corrugated-drain-tile-downspout-adapter-4-x-3-2/p-2733929.htm?tptm=pf>.

(Continued)

Primary Examiner — Eric Goodman
Assistant Examiner — Amy Wierenga
(74) *Attorney, Agent, or Firm* — CreatiVenture Law, LLC;
Dennis J M Donahue, III

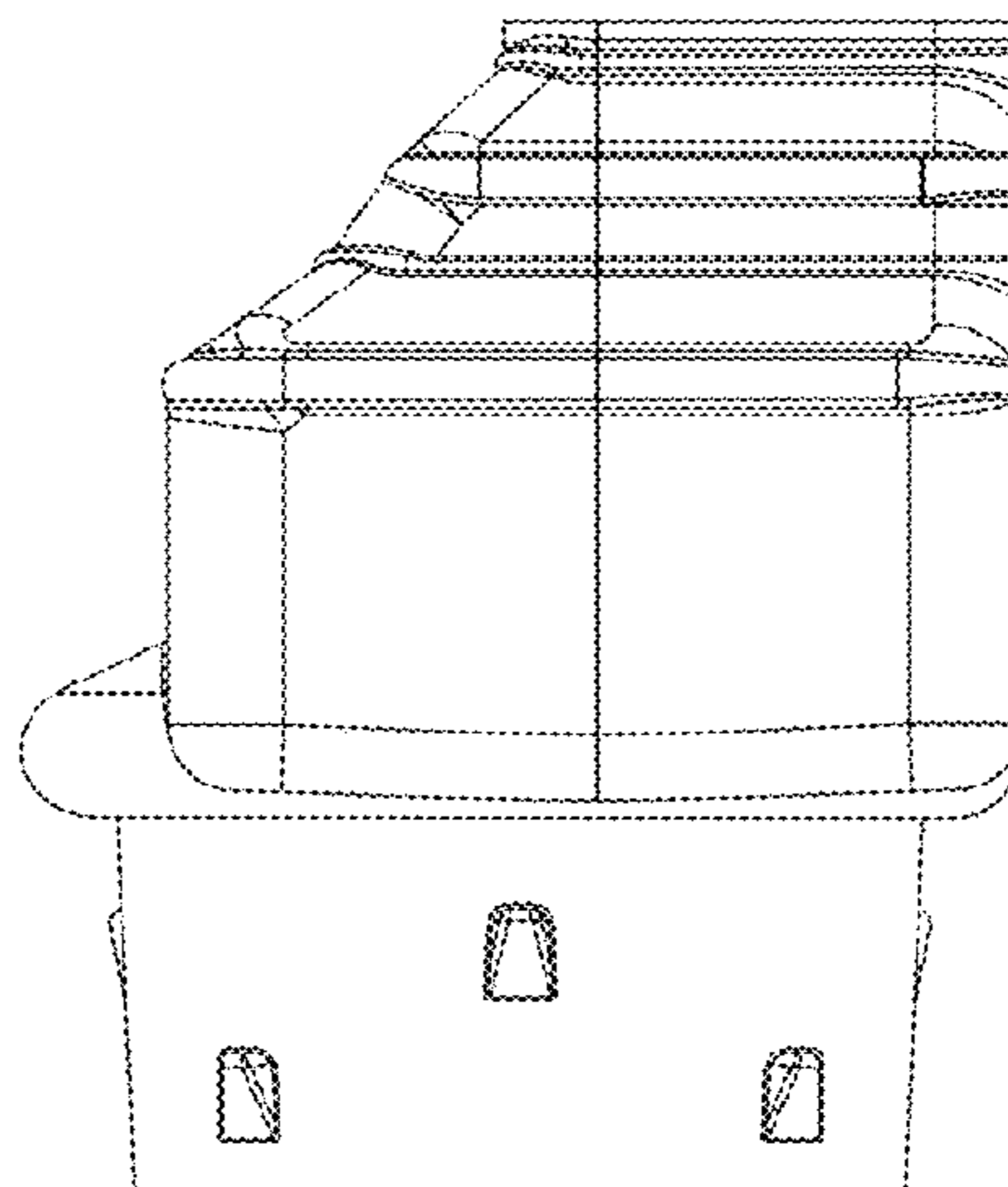
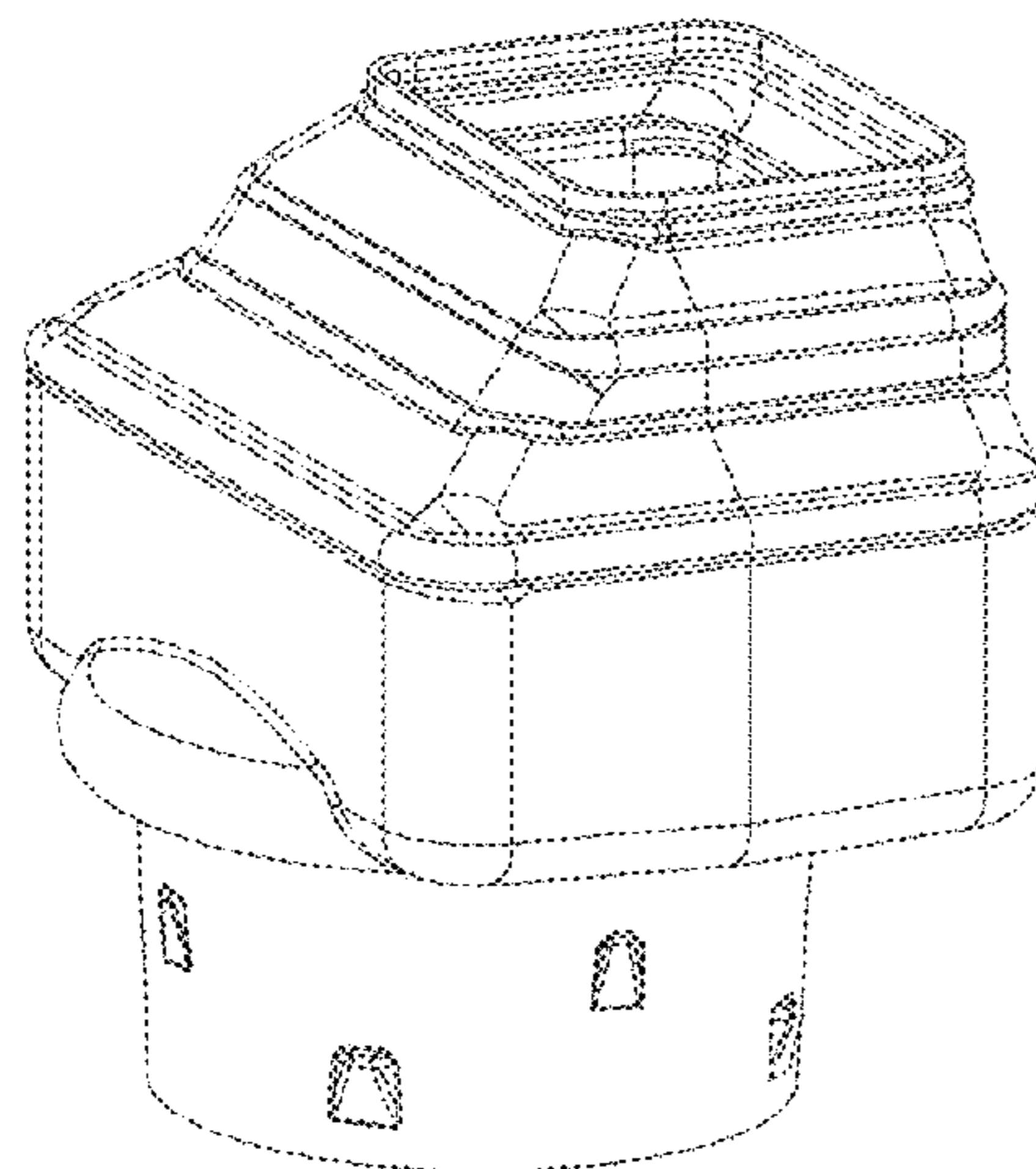
(57) **CLAIM**

The ornamental design for a universal drain adapter, as shown and described.

DESCRIPTION

FIG. 1 is a front perspective view of a universal drain adapter;
FIG. 2 is a back perspective view thereof;
FIG. 3 is a top perspective view thereof;
FIG. 4 is a top view thereof;
FIG. 5 is a front view thereof;
FIG. 6 is a right side view thereof;
FIG. 7 is a back view thereof; and,
FIG. 8 is a bottom view thereof.
The left side view mirrors the right side view.

1 Claim, 2 Drawing Sheets



(56)

References Cited

U.S. PATENT DOCUMENTS

9,022,429 B2 5/2015 Heindl
D761,397 S * 7/2016 DeNooy D23/262
2005/0086883 A1* 4/2005 Wade E04D 13/0645
52/302.1
2011/0041416 A1* 2/2011 Schmidt E04D 13/08
52/16
2012/0049511 A1* 3/2012 Bell F16L 27/11
285/226
2014/0117661 A1* 5/2014 Harman E04D 13/08
285/179

OTHER PUBLICATIONS

Downspout Adapter (4" x4" x3") [Online] Atlanta Turfgrass, Nov. 16, 2015. Retrieved from the Internet: <URL: www.atlantaturfgrass.com/product/downspout-adapter-4-x-4-x-3>.

Downspout Adapter [Online] eGutter, Nov. 16, 2015. Retrieved from the Internet: <URL: www.egutter.com/Downpipe-Aluminum/Down-Spout-Adapter>.

* cited by examiner

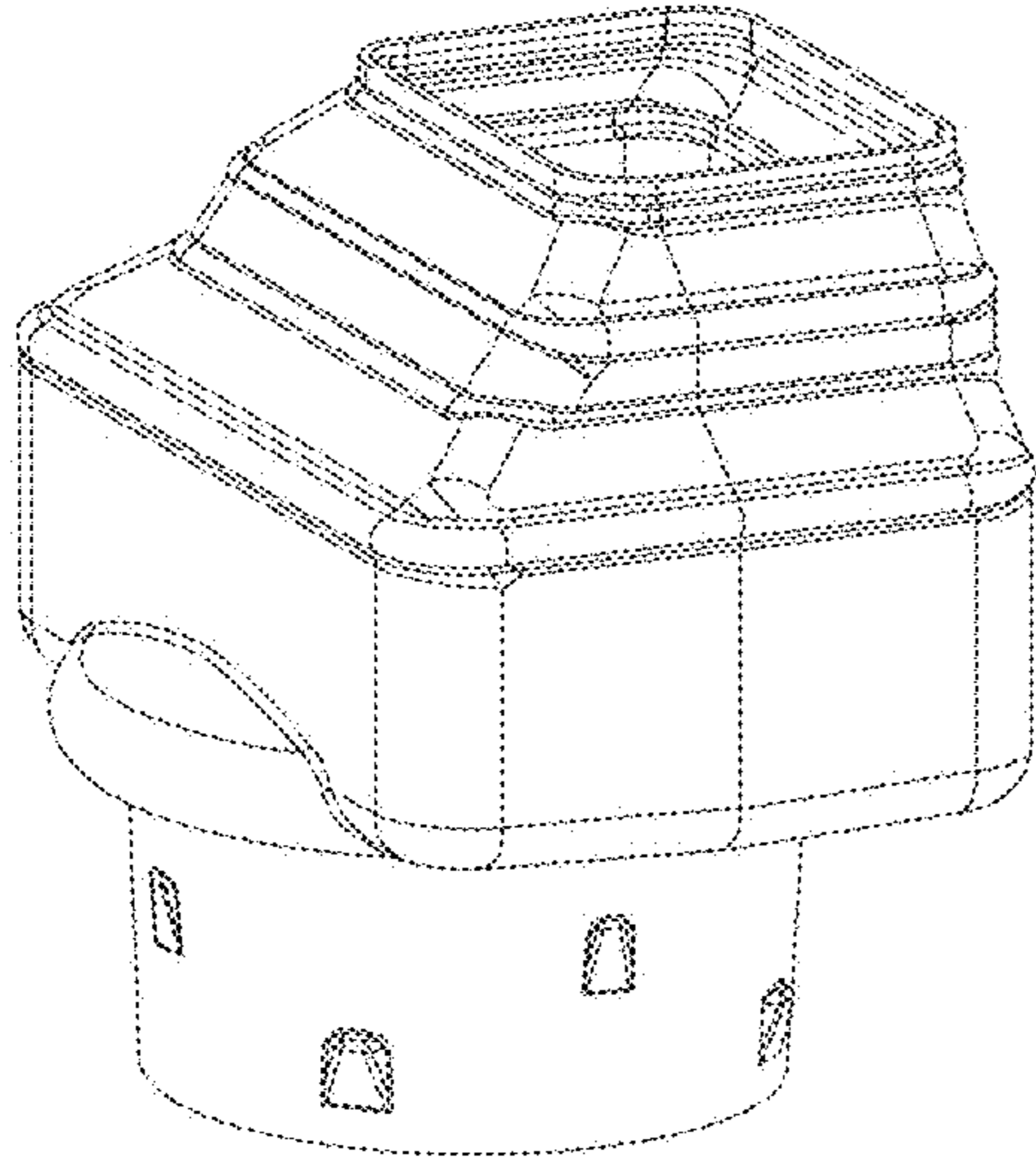


FIG. 1

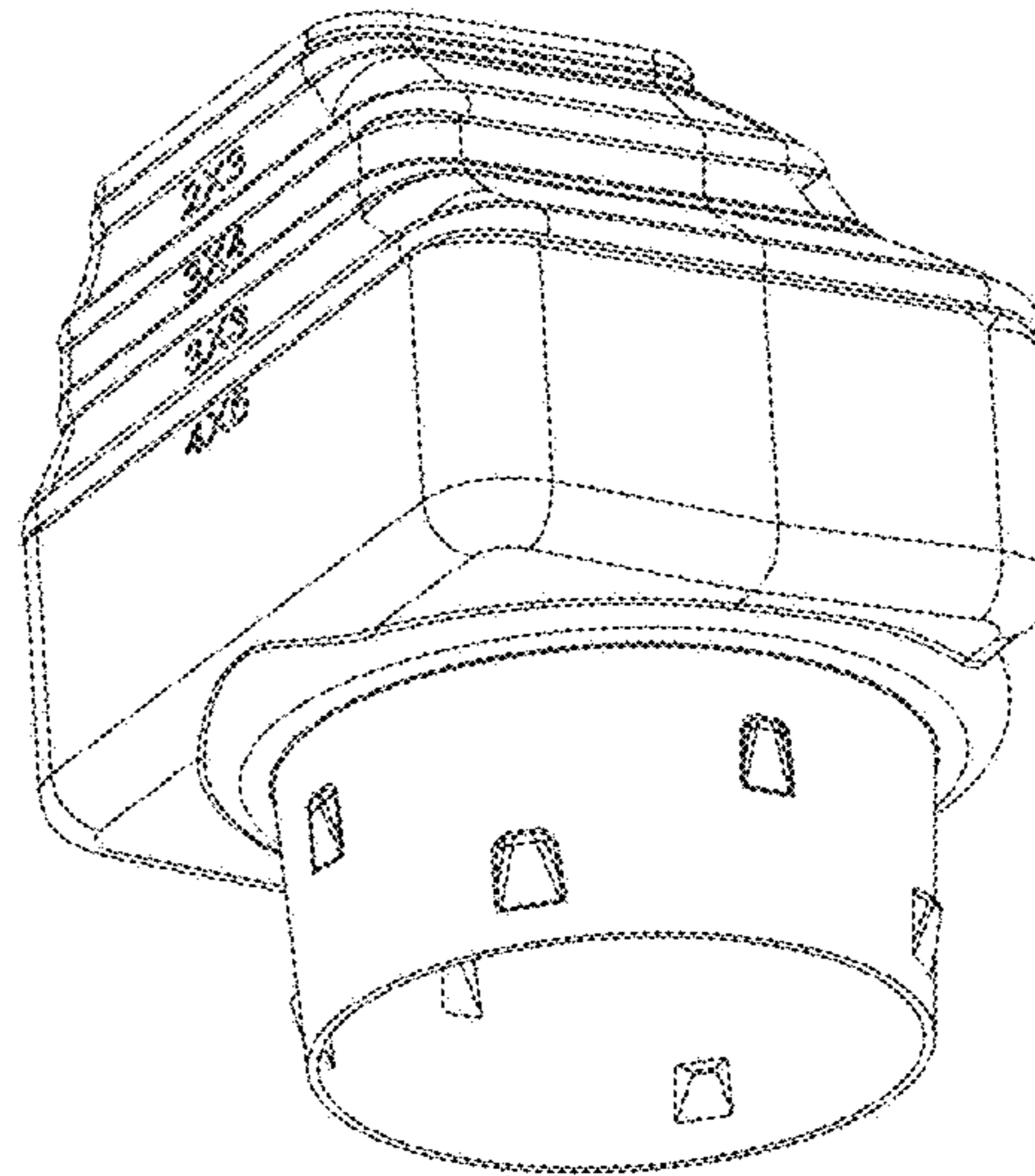


FIG. 2

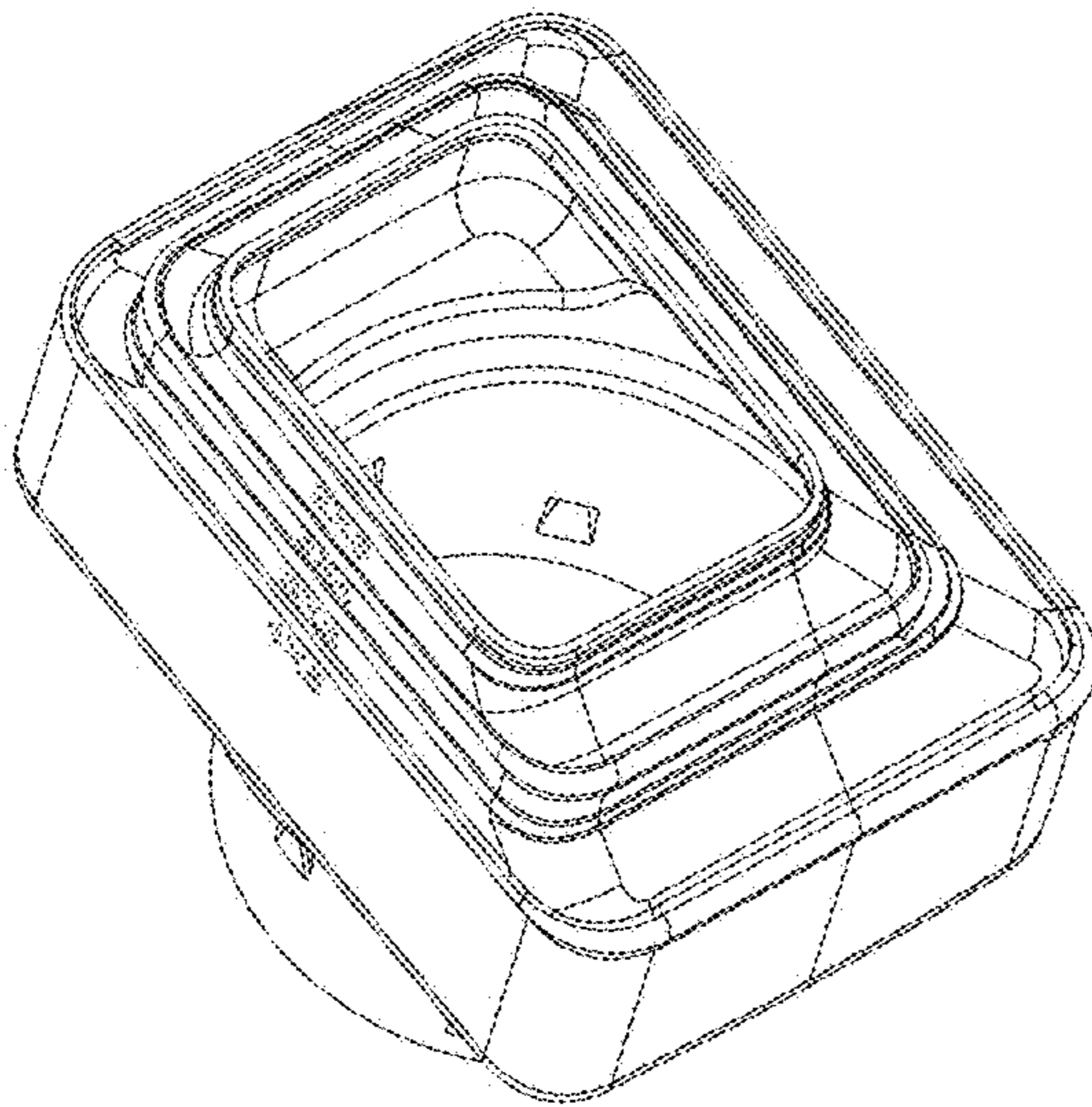


FIG. 3

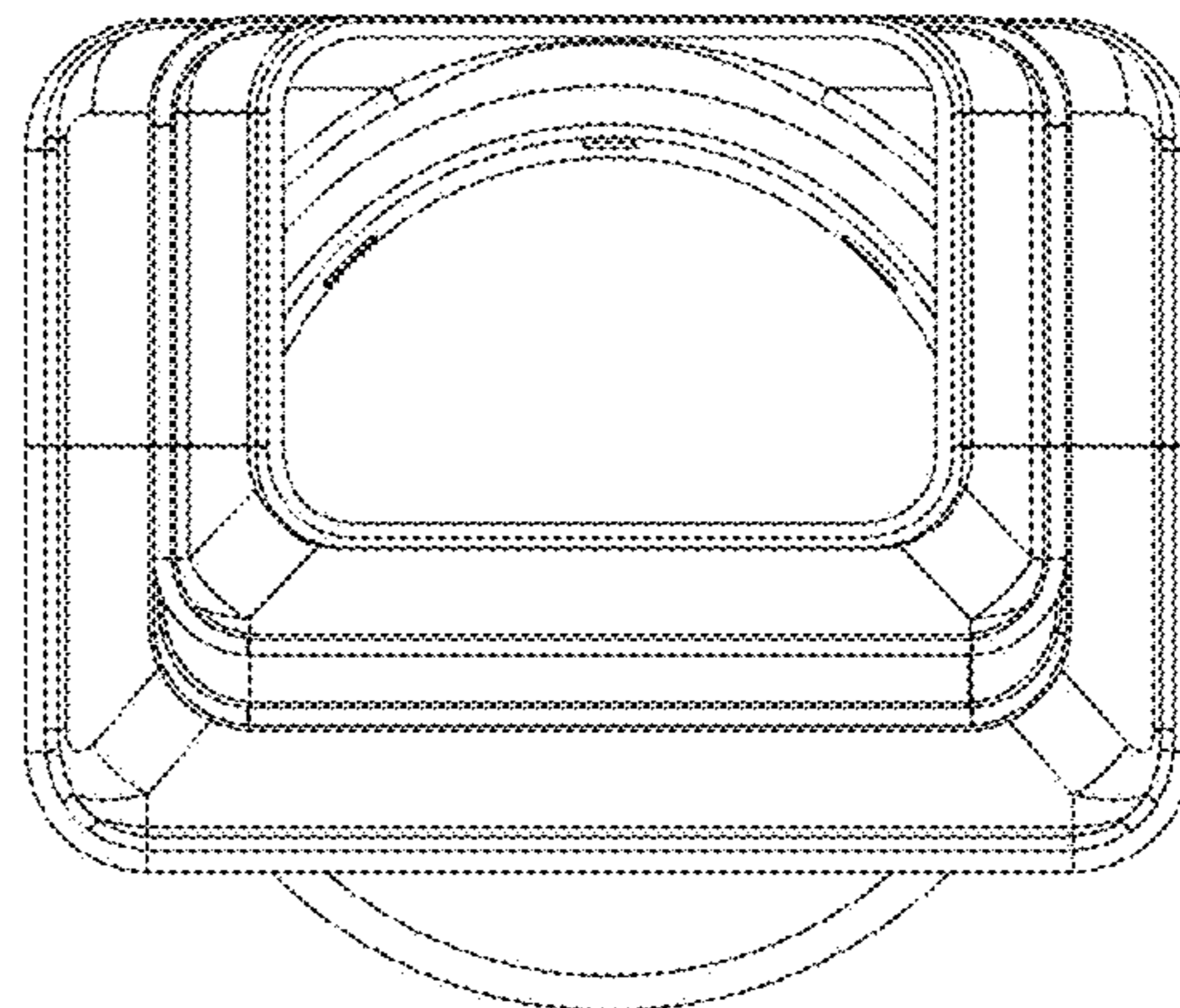


FIG. 4

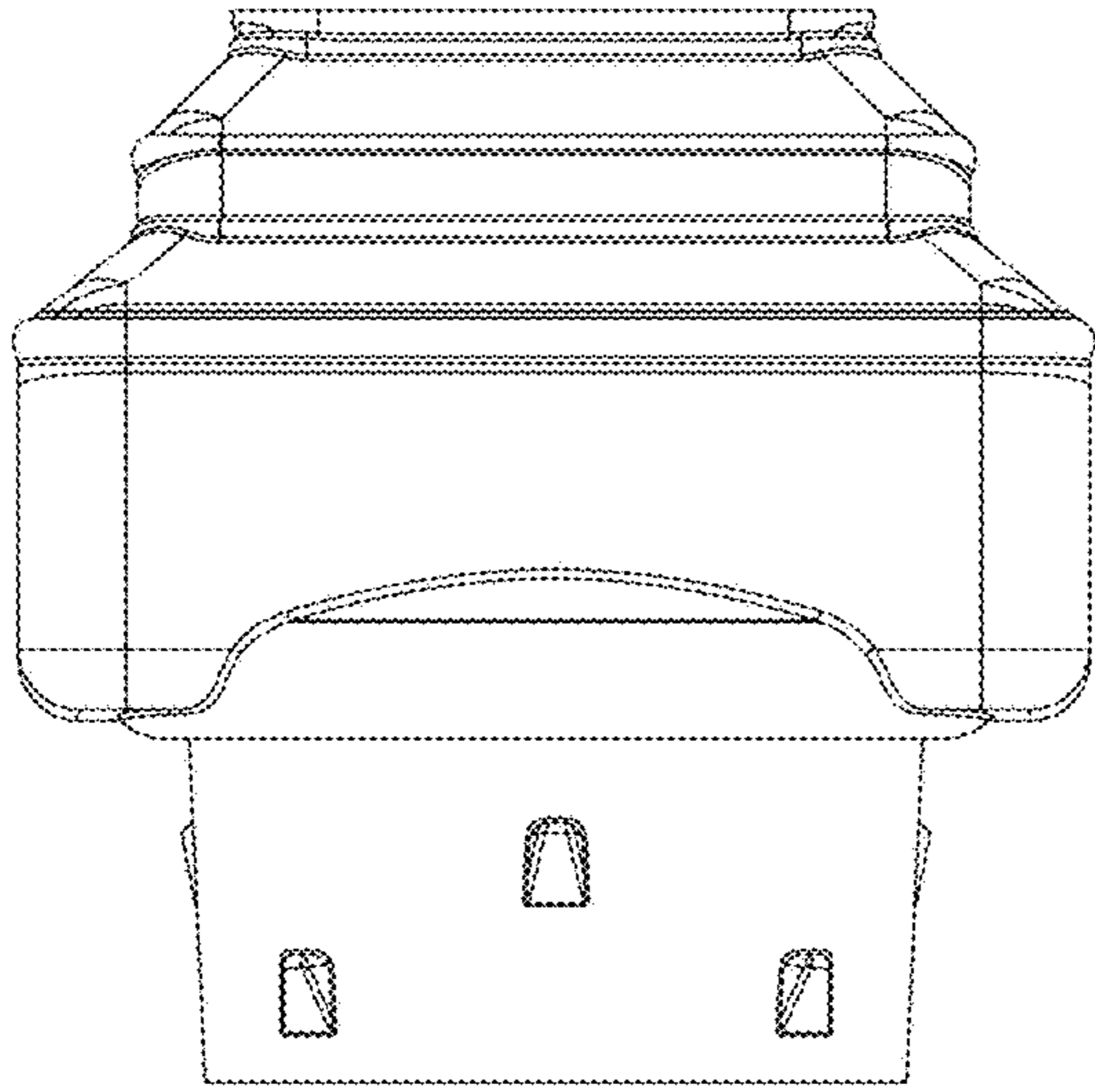


FIG. 5

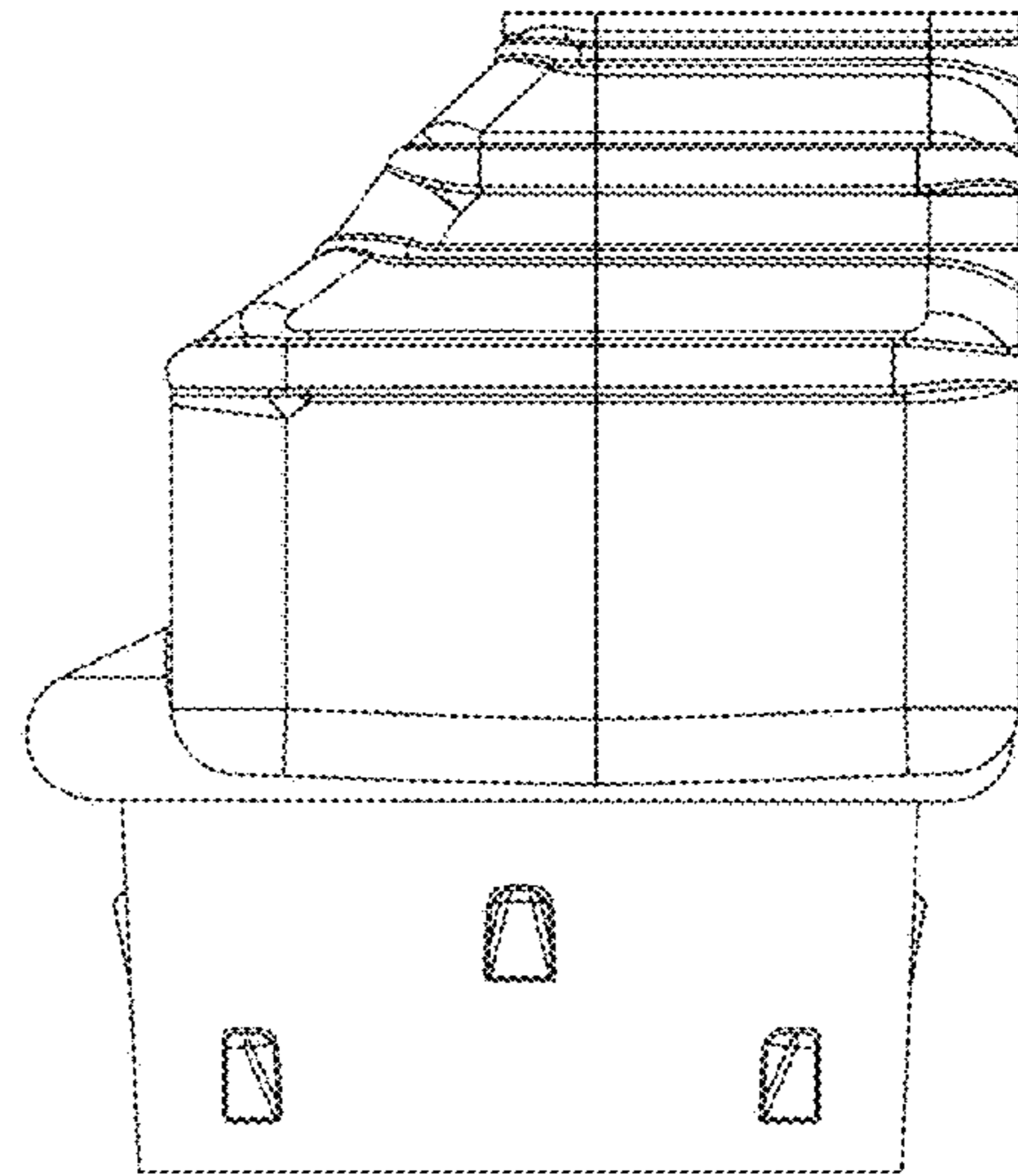


FIG. 6

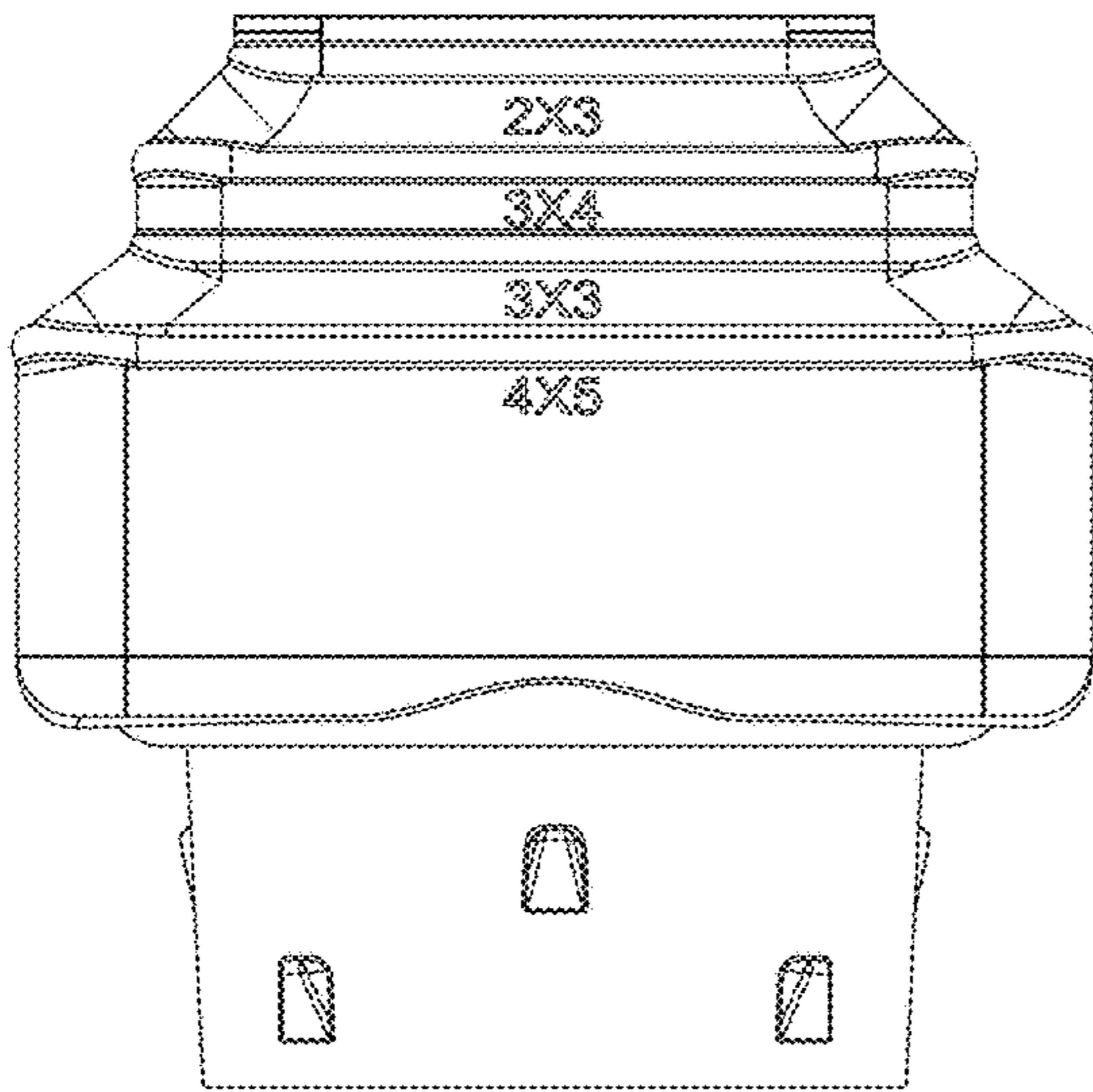


FIG. 7

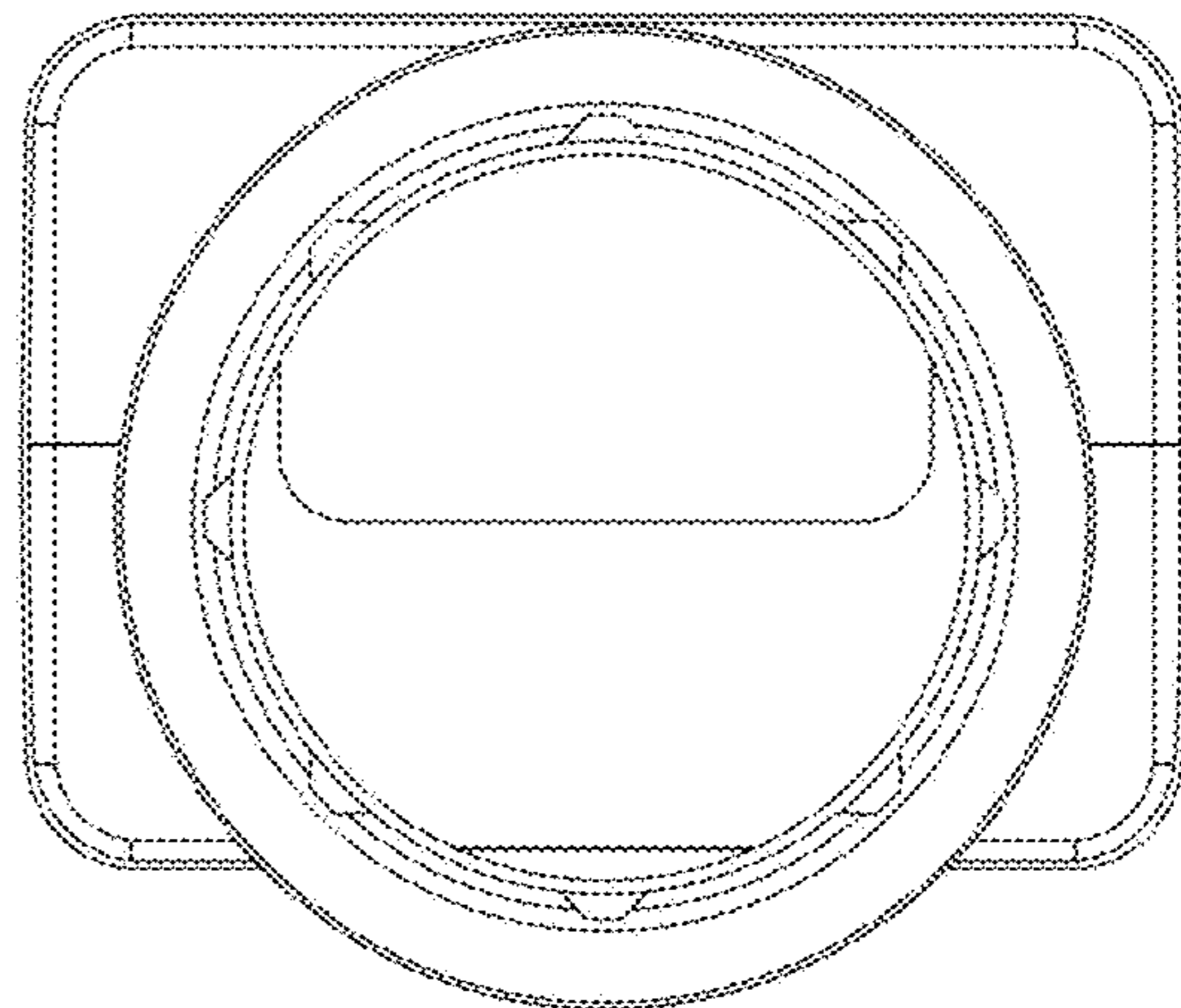


FIG. 8