



US00D790040S

(12) **United States Design Patent** (10) **Patent No.:** **US D790,040 S**
Yamamoto et al. (45) **Date of Patent:** **** Jun. 20, 2017**

(54) **VALVE FOR OIL CHANGE OR THE LIKE**

FOREIGN PATENT DOCUMENTS

(71) Applicant: **FUMOTO GIKEN CO., LTD.**,
Miura-gun, Kanagawa (JP)

CH 163683 A 8/1933
DE 102015209919 A1 3/2015

(Continued)

(72) Inventors: **Ryohei Yamamoto**, Miura-gun (JP);
Yuho Yamamoto, Miura-gun (JP)

OTHER PUBLICATIONS

(73) Assignee: **FUMOTO GIKEN CO., LTD.**,
Miura-gun (JP)

Fumoto Giken Co., Ltd., Publication of US trademark application
No. 85-837,373, Published on Apr. 22, 2014.

(Continued)

(**) Term: **15 Years**

(21) Appl. No.: **29/548,320**

Primary Examiner — Cynthia Ramirez

Assistant Examiner — Gino Colan

(22) Filed: **Dec. 11, 2015**

(74) *Attorney, Agent, or Firm* — Masuvalley & Partners

(51) **LOC (10) Cl.** **23-01**

(52) **U.S. Cl.**
USPC **D23/245**

(57) **CLAIM**

(58) **Field of Classification Search**
USPC D23/233, 235, 237, 244, 245, 246, 247,
D23/248, 250, 257, 258, 264; 137/1, 59,
137/377, 315.18, 315.35, 625.5, 625.27,
137/625.44, 625.48, 385, 382, 549, 315.2,
137/315.37; 251/288, 99, 59, 294, 298,
251/349-354, 96, 98, 315.1
CPC F16K 5/06; F16K 37/0075; F16K 5/0647;
Y10T 137/7043
See application file for complete search history.

The ornamental design for a valve for oil change or the like,
as shown and described.

DESCRIPTION

(56) **References Cited**

U.S. PATENT DOCUMENTS

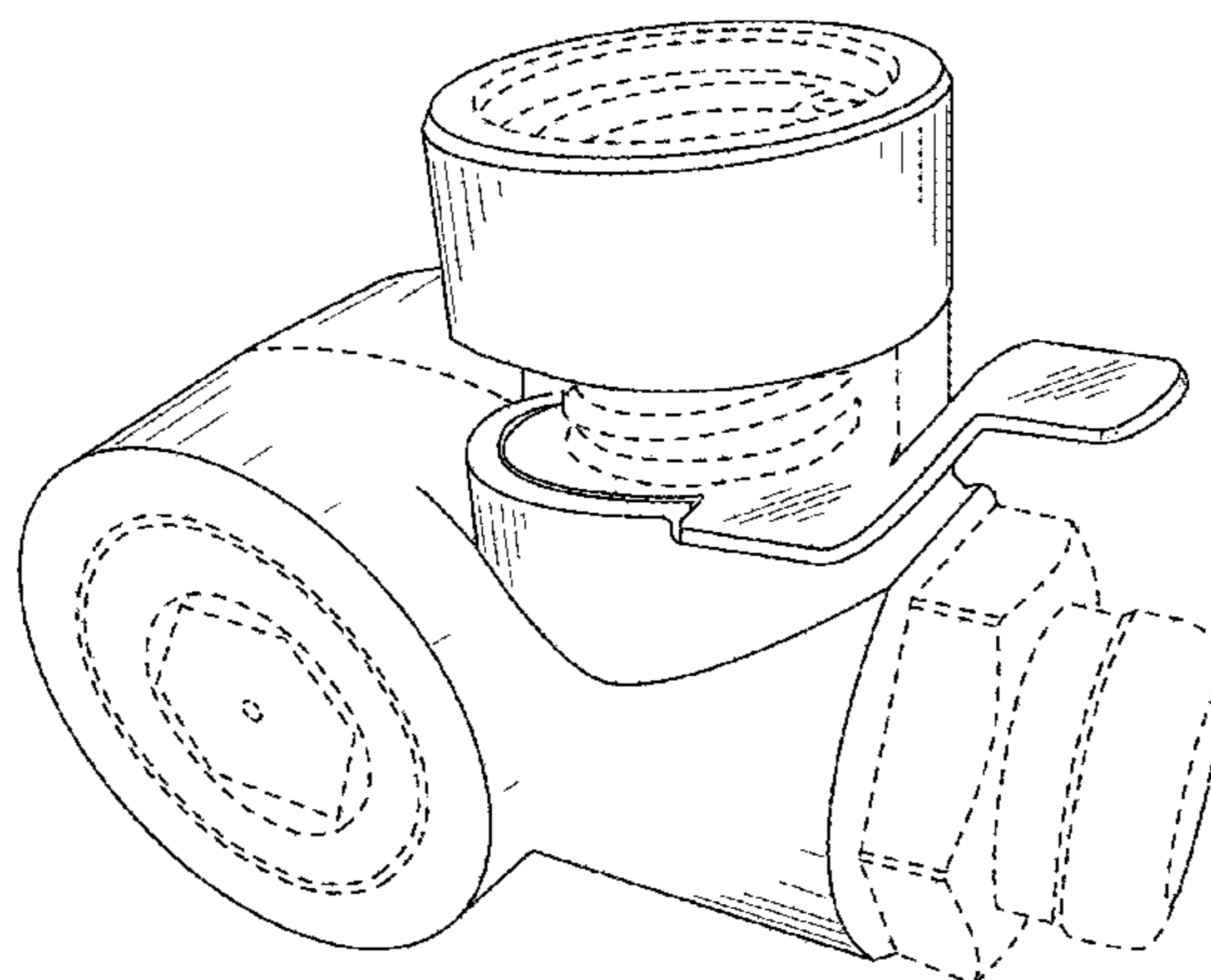
D56,925 S 1/1921 Humphrey
D56,926 S 1/1921 Humphrey
3,623,698 A 11/1971 Couper et al.
3,726,503 A 4/1973 Fawkes
3,954,250 A 5/1976 Grace
4,078,763 A 3/1978 Yamamoto
4,380,247 A 4/1983 Douglas
D297,354 S 8/1988 Wirth
4,964,614 A 10/1990 Sands et al.
5,072,913 A 12/1991 Carroll
5,275,200 A 1/1994 Yamamoto
D375,141 S 10/1996 Valley

(Continued)

FIG. 1 is a perspective view of a valve for oil change or the like showing our new design;
FIG. 2 is a front elevation view of the valve for oil change or the like of FIG. 1;
FIG. 3 is a rear elevation view of the valve for oil change or the like of FIG. 1;
FIG. 4 is a left side elevation view of the valve for oil change or the like of FIG. 1,
FIG. 5 is a right side elevation view of the valve for oil change or the like of FIG. 1;
FIG. 6 is a top plan view of the valve for oil change or the like of FIG. 1; and,
FIG. 7 is a bottom plan view of the valve for oil change or the like of FIG. 1.

The broken lines shown in the figures are included for the purpose of illustrating portions of the valve for oil change or the like and forms no part of the claimed design.

1 Claim, 7 Drawing Sheets



(56)

References Cited

U.S. PATENT DOCUMENTS

6,325,355 B1 12/2001 Johnson
 D455,818 S 4/2002 Yamamoto
 6,371,155 B1 4/2002 Balocca
 D500,123 S 12/2004 Pelletz
 D505,184 S 5/2005 Trappa
 D516,678 S 3/2006 Tripp et al.
 7,226,285 B2 6/2007 Tsai
 7,849,877 B2 12/2010 Tan et al.
 8,327,867 B2 12/2012 Caleffi
 D681,170 S 4/2013 Yamamoto
 D681,171 S 4/2013 Yamamoto
 D701,945 S 4/2014 Mitsuoka
 D701,946 S 4/2014 Mitsuoka
 D730,491 S 5/2015 Yamamoto et al.
 2003/0205687 A1 11/2003 McPeak et al.
 2006/0191960 A1 8/2006 Shelton
 2007/0163654 A1 7/2007 Elliott
 2010/0313966 A1 12/2010 Murg et al.
 2014/0124056 A1 5/2014 Zeyfang
 2015/0041689 A1 2/2015 Rucinski
 2015/0345659 A1 12/2015 Yamamoto et al.

FOREIGN PATENT DOCUMENTS

EP 2110589 A2 10/2009
 GB 473048 A 10/1937

GB 521848 A 6/1940
 GB 526708 A 9/1940
 GB 1173090 A 12/1969
 GB 1222210 A 2/1971
 JP 349-38917 Y 10/1974
 JP S59-113374 A 6/1984
 JP S59-113375 A 6/1984
 JP S59-147171 A 8/1984
 JP S59-231274 A 12/1984
 JP S60-260773 A 12/1985
 JP 337859 S 5/1992
 JP H05-79137 U 10/1993
 JP 105-83560 U 11/1993
 JP 337859 S 4/1995
 JP 2546566 Y2 5/1997
 JP D1113929 S 7/2001
 JP 2002-106731 A 4/2002
 JP 2005-233395 A 9/2005
 JP 2015-161337 A 9/2015
 JP 2016-6346 A 1/2016

OTHER PUBLICATIONS

Fumoto Giken Co., Ltd., Publication of US trademark application

No. 85-828,222, Published on Apr. 22, 2014.

FIG. 1

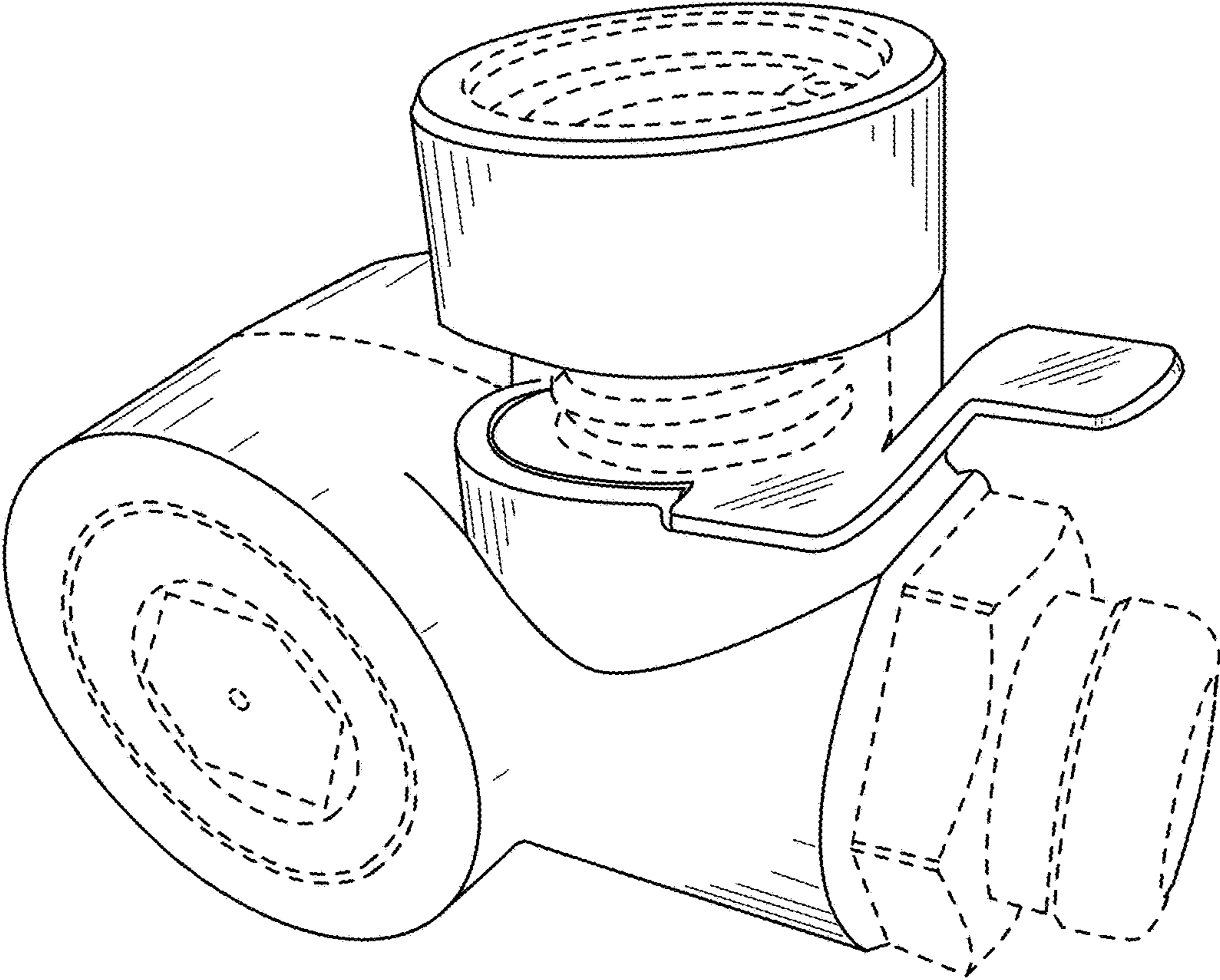


FIG. 2

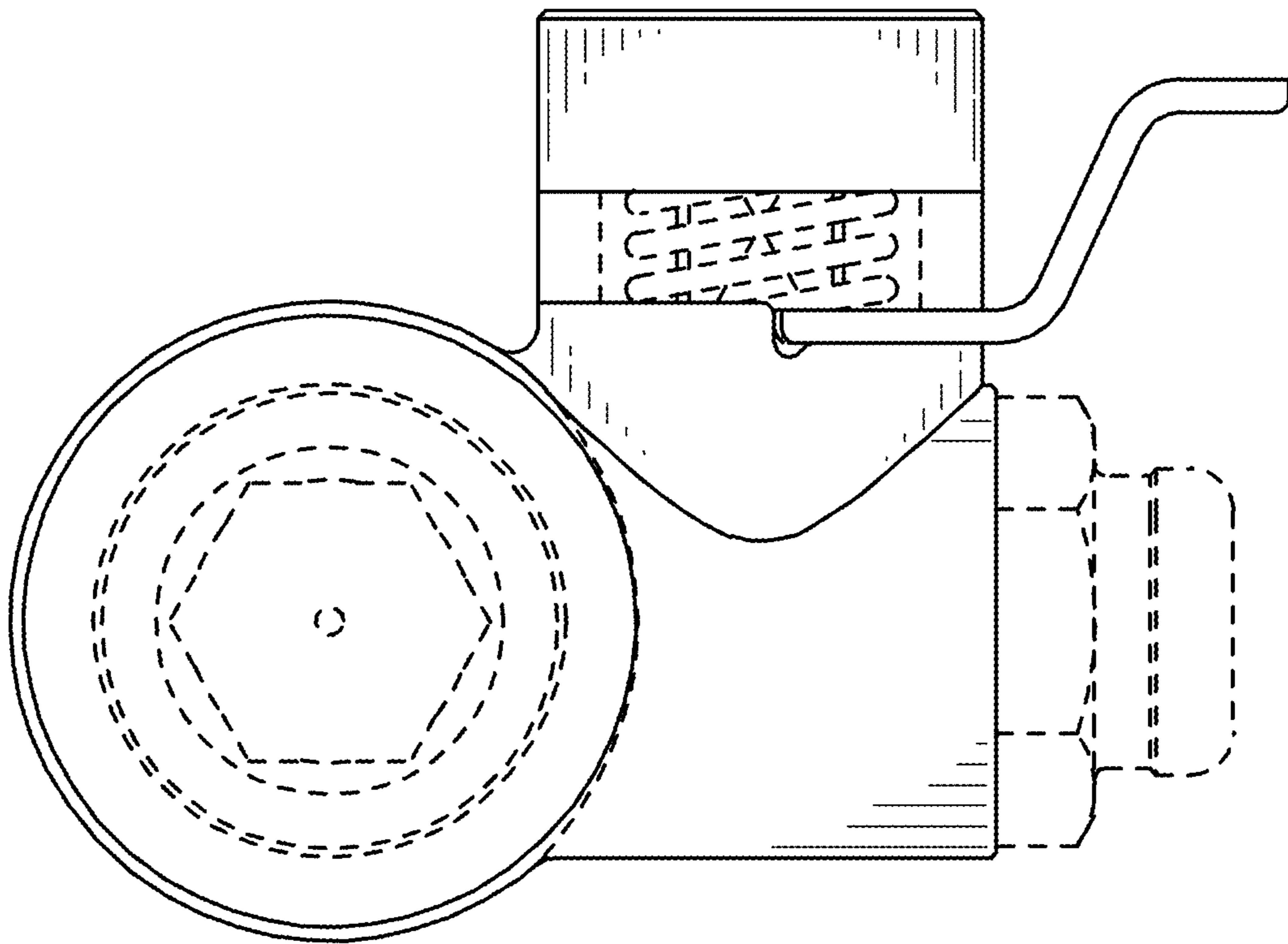


FIG. 3

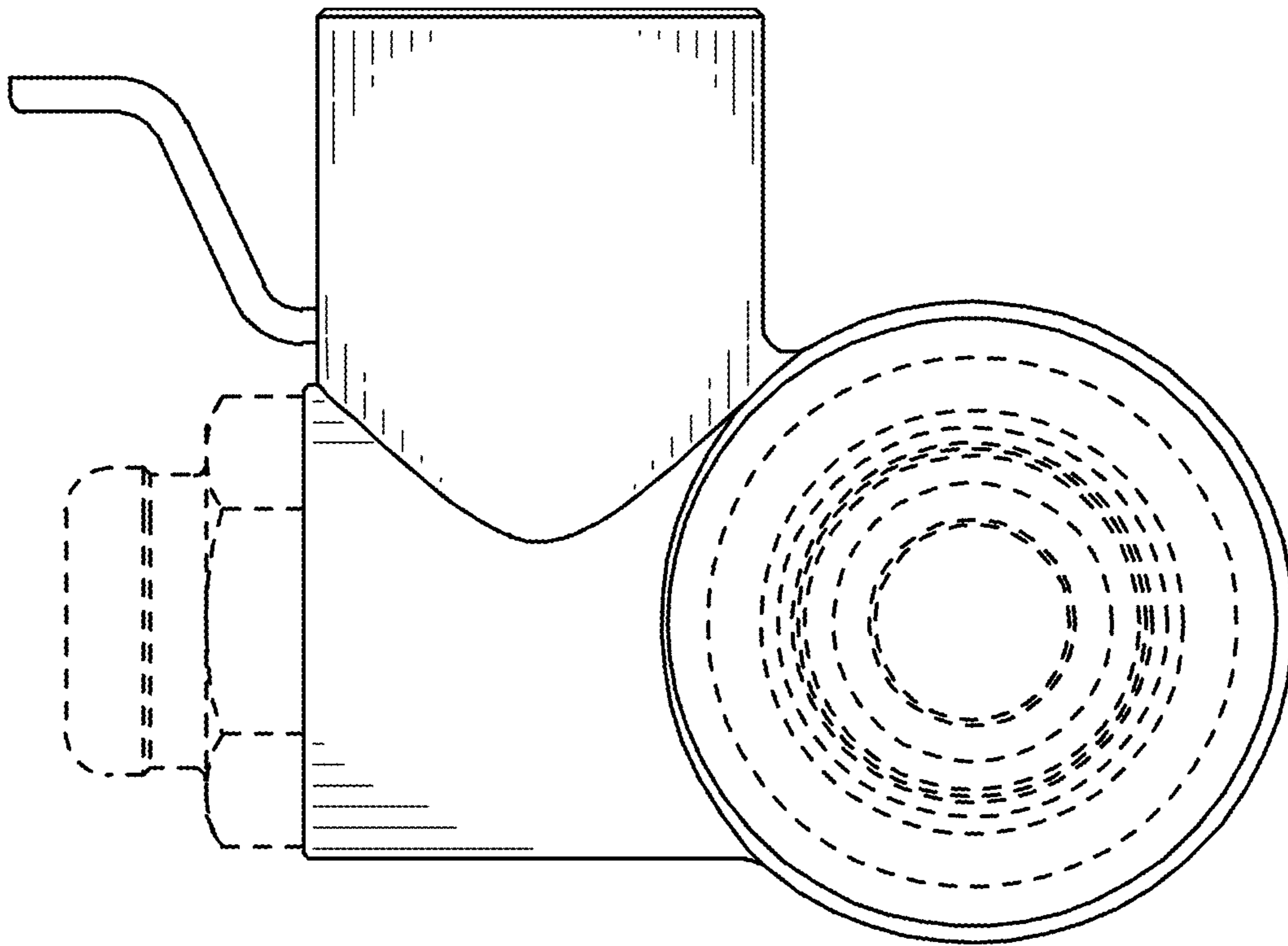


FIG. 4

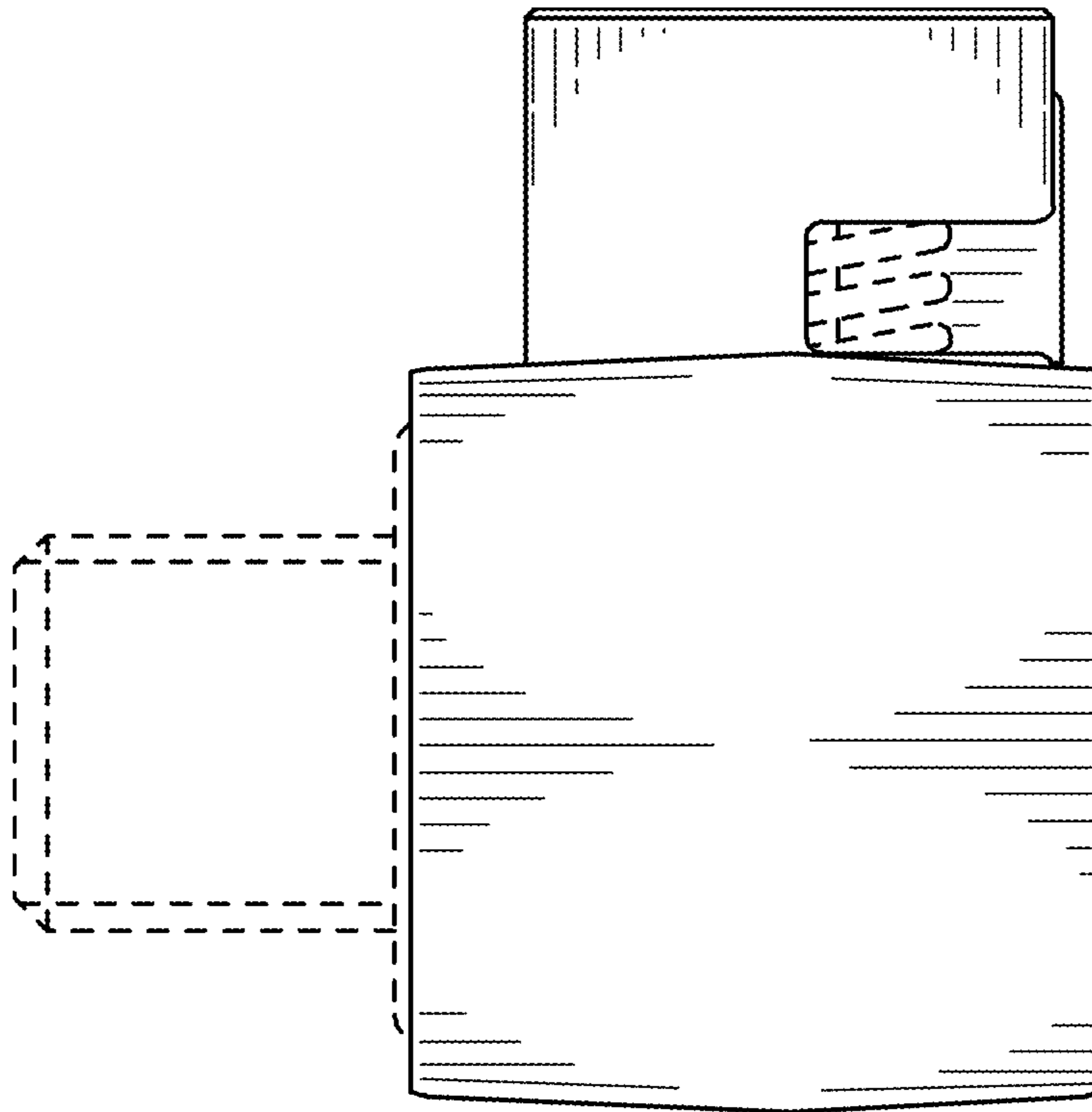


FIG. 5

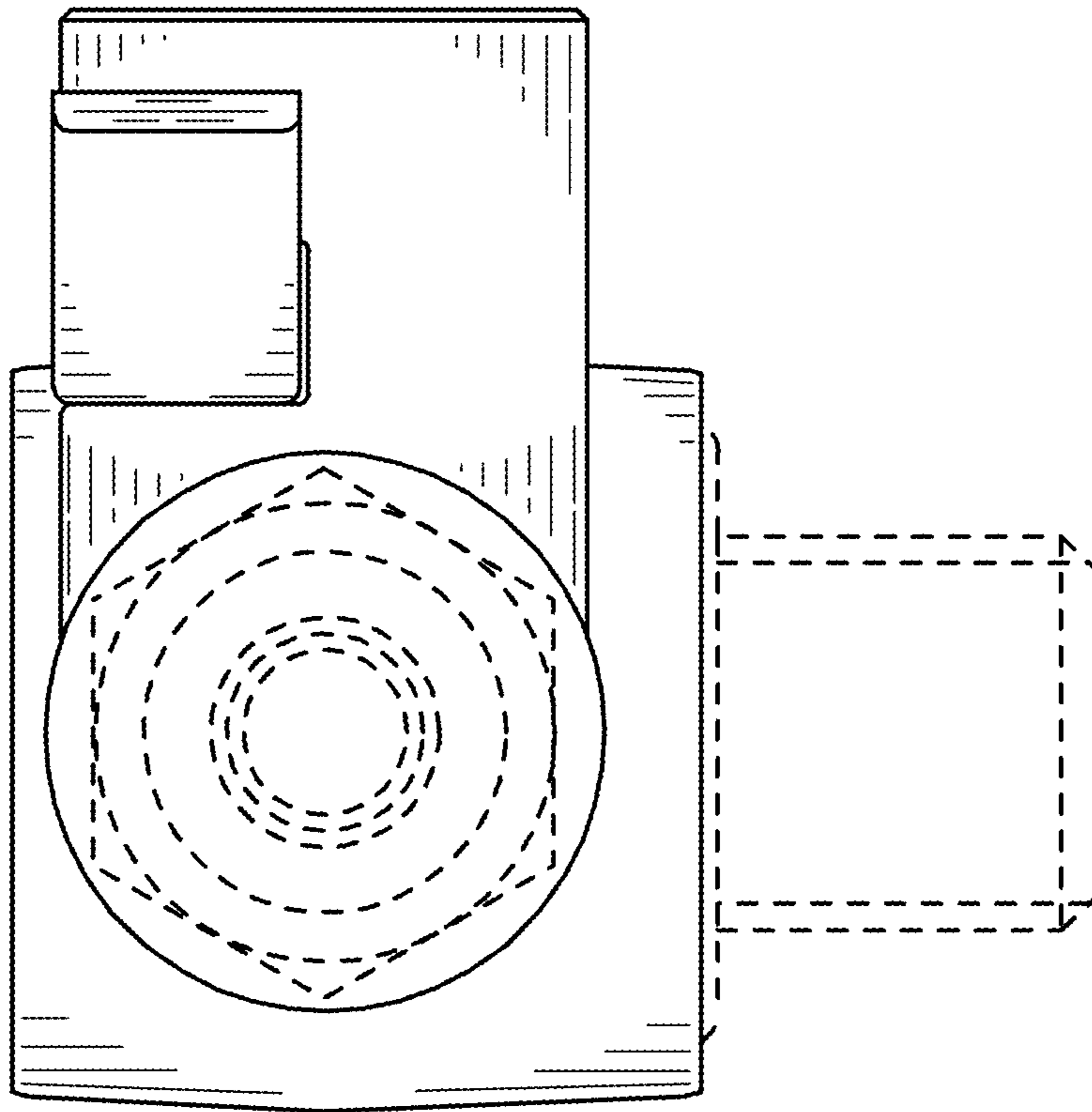


FIG. 6

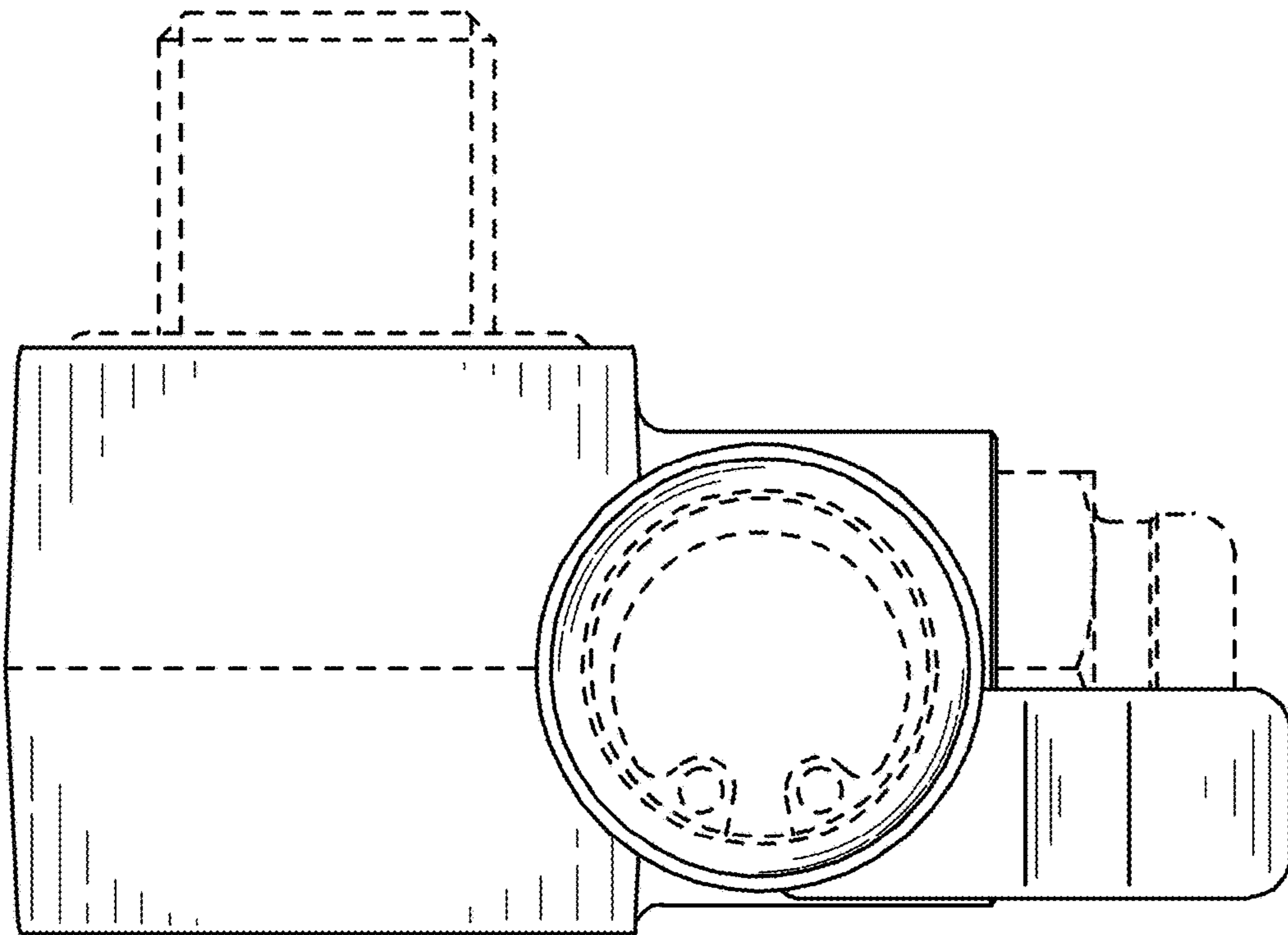


FIG. 7

