



US00D790037S

(12) **United States Design Patent**
Gerhards et al.

(10) **Patent No.:** **US D790,037 S**
(45) **Date of Patent:** **** Jun. 20, 2017**

- (54) **TOILET RIM BLOCKS**
- (71) Applicant: **Henkel AG & Co. KGaA**, Duesseldorf (DE)
- (72) Inventors: **Katja Gerhards**, Duesseldorf (DE);
Bodo Warden, Moenchengladbach (DE)
- (73) Assignee: **Henkel AG & Co. KGaA** (DE)
- (**) Term: **15 Years**
- (21) Appl. No.: **29/579,948**
- (22) Filed: **Oct. 4, 2016**

Related U.S. Application Data

- (62) Division of application No. 35/500,160, filed on Jul. 13, 2015 (U.S. filing date under 35 U.S.C. 384), and having an international filing date of Jul. 13, 2015, now Pat. No. Des. 772,378.

- (51) **LOC (10) Cl.** **23-01**
- (52) **U.S. Cl.**

USPC **D23/208**

- (58) **Field of Classification Search**

USPC D23/208, 355-369; 261/DIG. 17, 261/DIG. 42, DIG. 65, DIG. 88, DIG. 89; 239/34, 44, 53, 55, 56, 326; 392/386, 392/390, 392, 394, 395

CPC A61L 9/00; A61L 9/02; A61L 9/03; A61L 9/032; A61L 9/035; A61L 9/037; A61L 9/04; A61L 9/12; A61L 9/22

See application file for complete search history.

- (56) **References Cited**

U.S. PATENT DOCUMENTS

D212,420 S 10/1968 Wilson
D212,753 S 11/1968 Tughan

D451,978 S	12/2001	Hood et al.	
D506,805 S	6/2005	Nguyen et al.	
D507,628 S	7/2005	McLellan et al.	
D508,106 S	8/2005	Nguyen et al.	
D512,480 S	12/2005	Nguyen et al.	
D520,103 S	5/2006	Johnson et al.	
D523,923 S	6/2006	Nguyen et al.	
D548,305 S	8/2007	King et al.	
D556,854 S	12/2007	Cheung et al.	
D613,368 S	4/2010	Padain et al.	
D655,778 S	3/2012	Muehlhausen	
D656,575 S	3/2012	Muehlhausen	
D656,576 S	3/2012	Muehlhausen	
D659,793 S	5/2012	Muehlhausen	
D679,778 S	4/2013	Gerhards	
D689,167 S	9/2013	Gerhards	
D690,793 S	10/2013	Wortley et al.	
D720,427 S	12/2014	Wang et al.	
D720,428 S	12/2014	Wang et al.	
D720,830 S	1/2015	Wang et al.	
D748,222 S	1/2016	Gerhards	
D751,683 S	3/2016	Furner et al.	
D772,376 S *	11/2016	Gerhards	D23/208
D772,377 S *	11/2016	Gerhards	D23/208

(Continued)

Primary Examiner — Keli L Hill

(74) *Attorney, Agent, or Firm* — P. Scott Smith

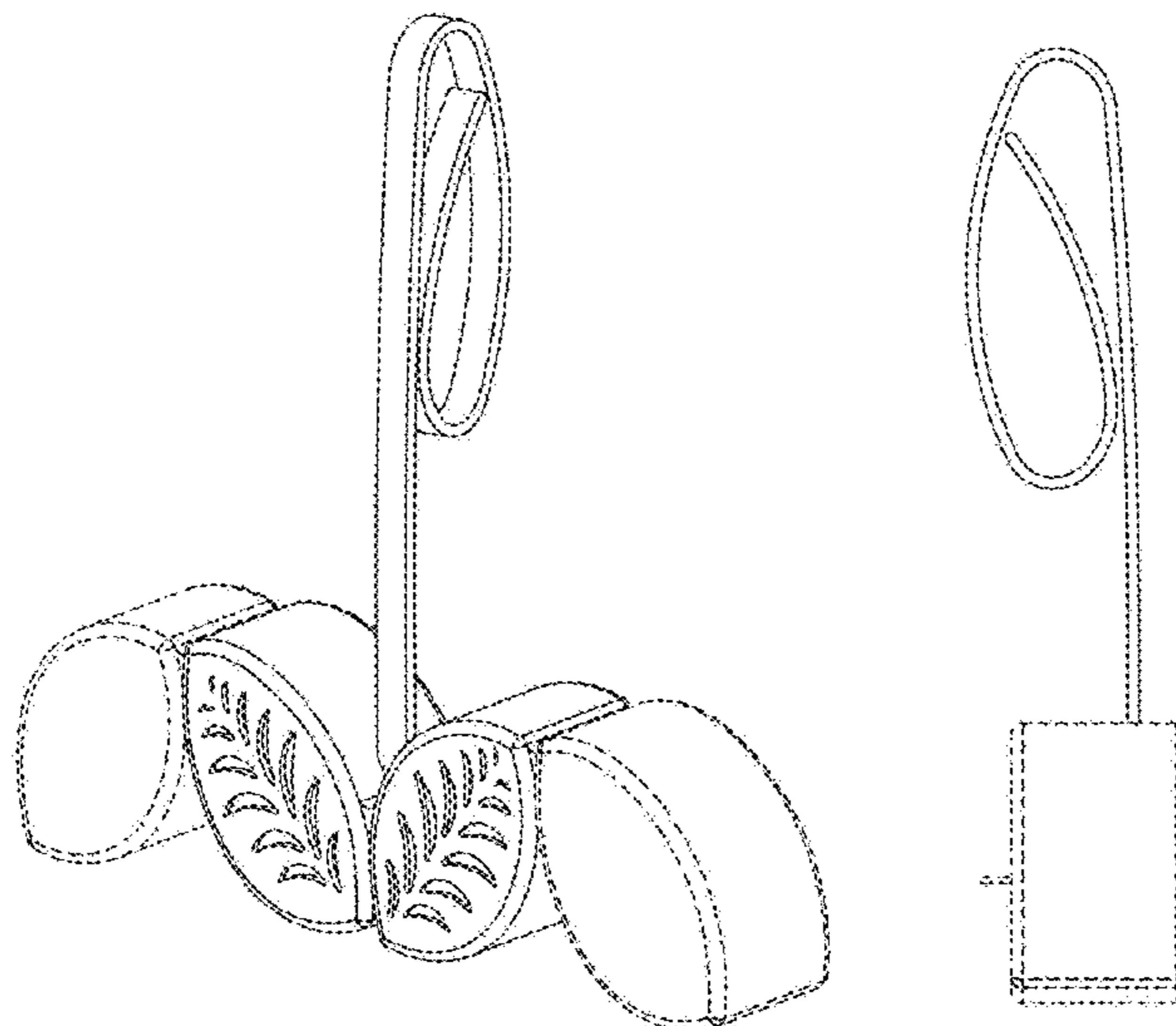
(57) **CLAIM**

The ornamental design for toilet rim blocks, as shown and described.

DESCRIPTION

FIG. 1 is a front perspective view of toilet rim blocks embodying our new design;
FIG. 2 is a front side elevation view thereof;
FIG. 3 is a rear side elevation view thereof;
FIG. 4 is a left side elevation view thereof;
FIG. 5 is a right side elevation view thereof;
FIG. 6 is a top plan view thereof; and,
FIG. 7 is a bottom plan view thereof.

1 Claim, 5 Drawing Sheets



(56)

References Cited

U.S. PATENT DOCUMENTS

D772,378 S * 11/2016 Gerhards D23/208
2012/0047640 A1 3/2012 Workotsch et al.

* cited by examiner

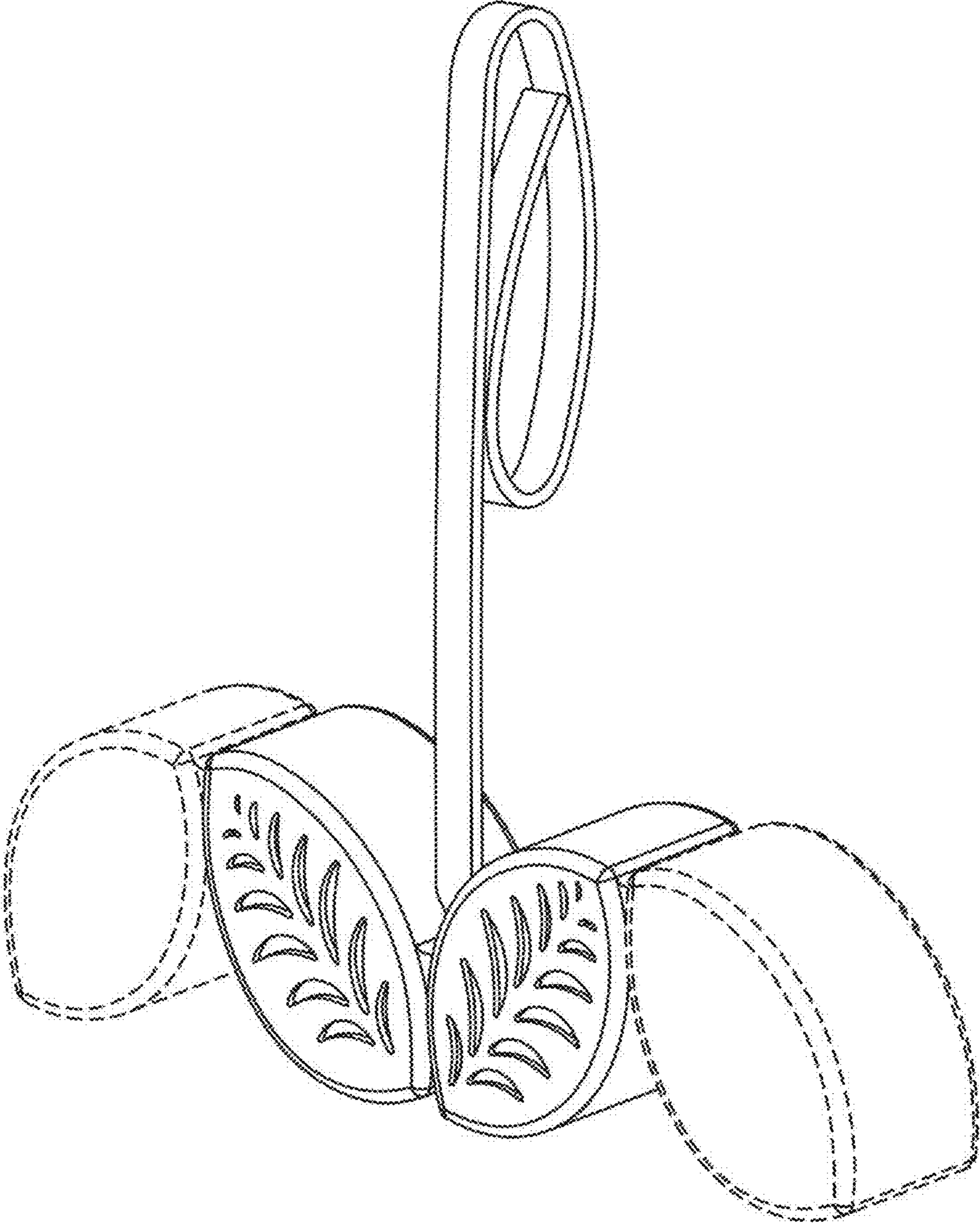


FIG. 1

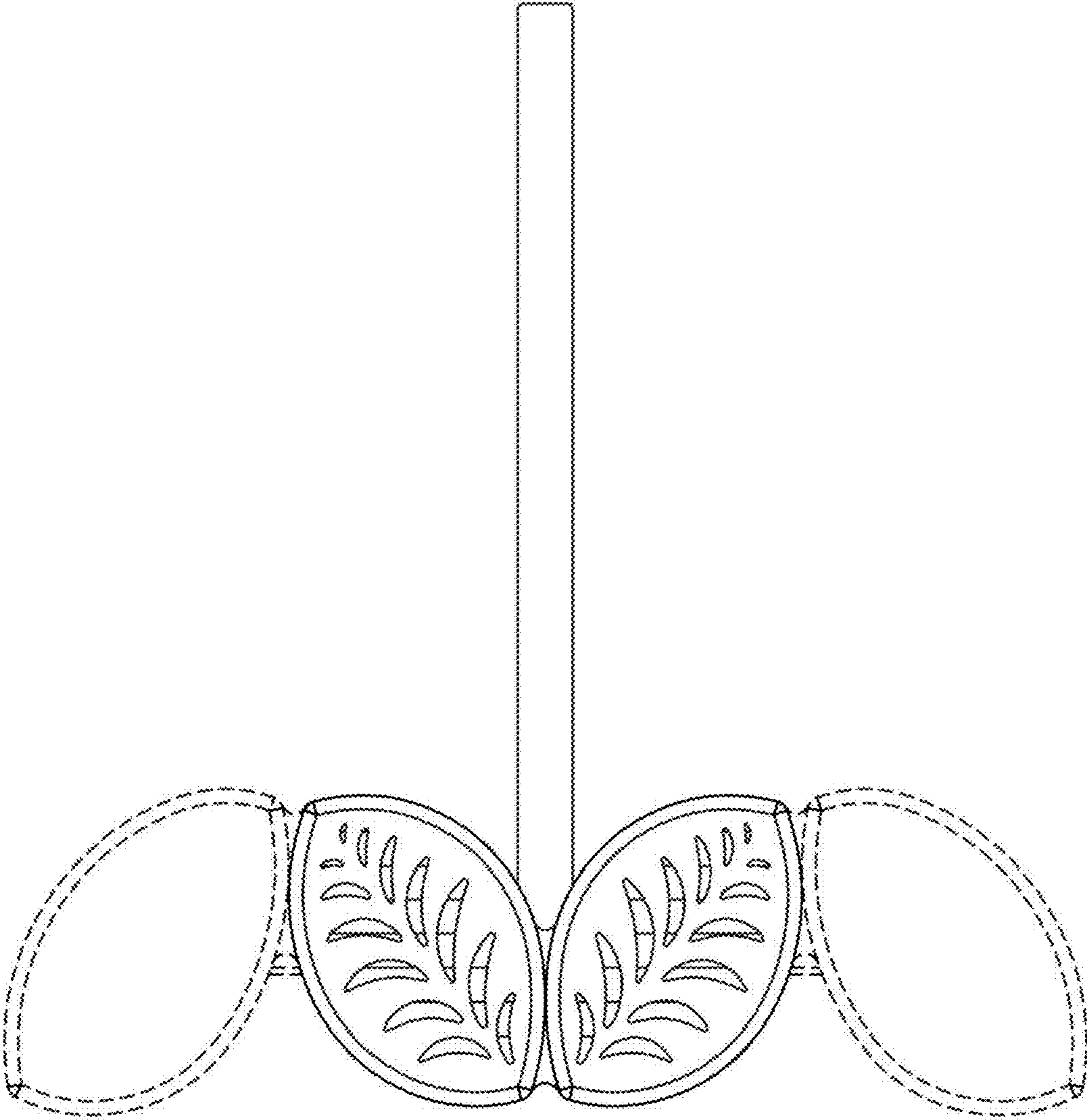


FIG. 2

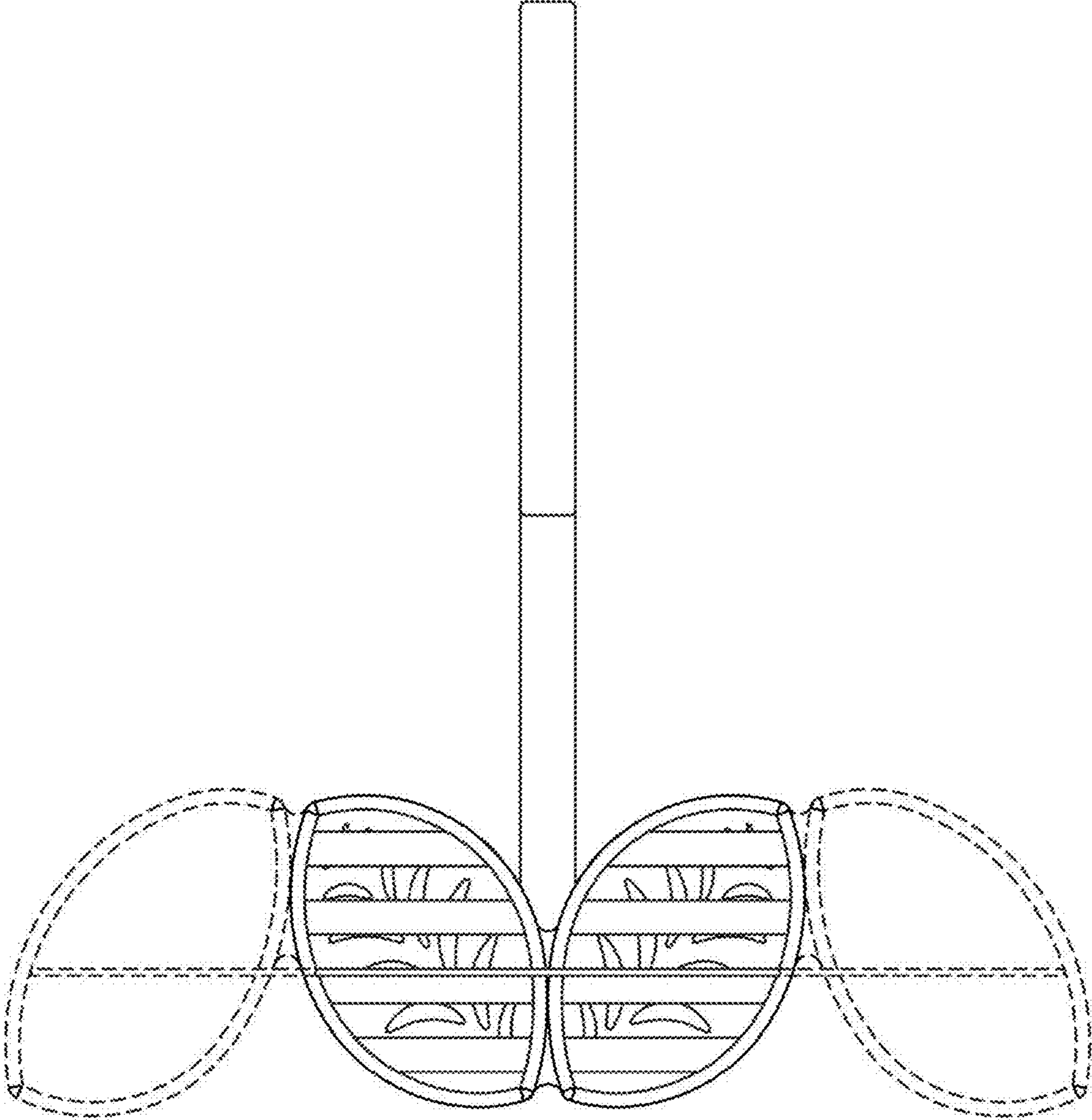


FIG. 3

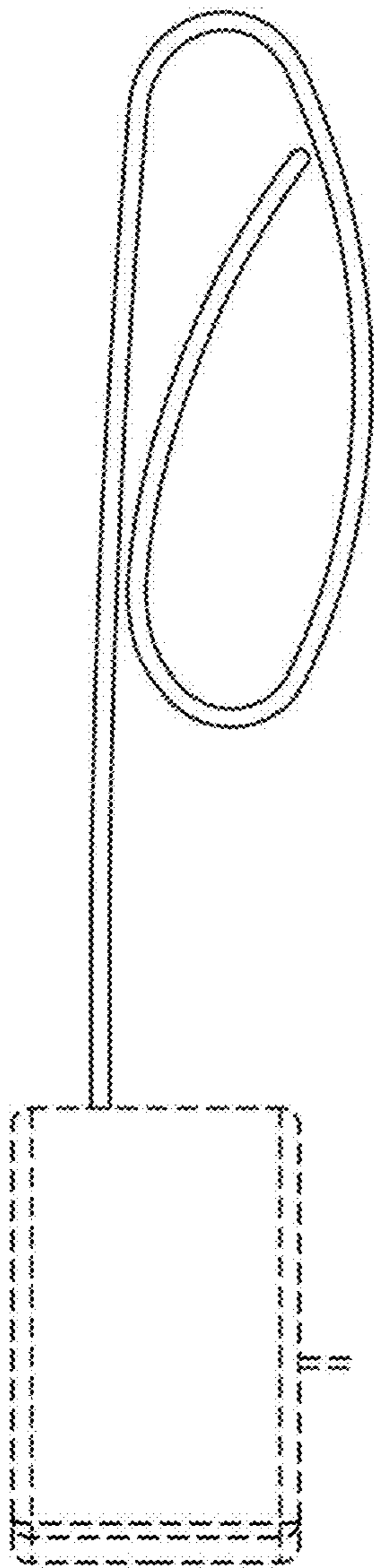


FIG. 4

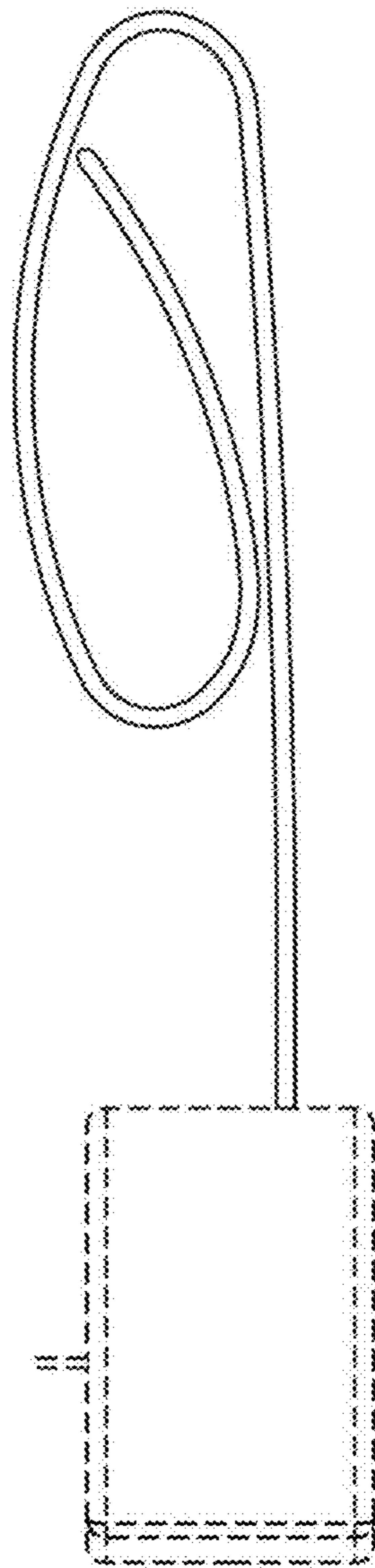


FIG. 5

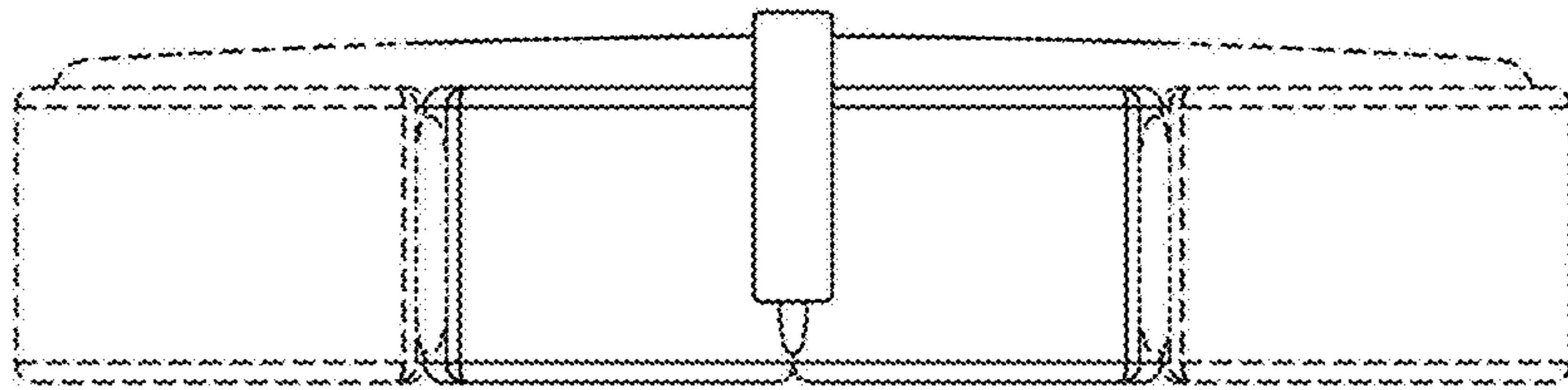


FIG. 6

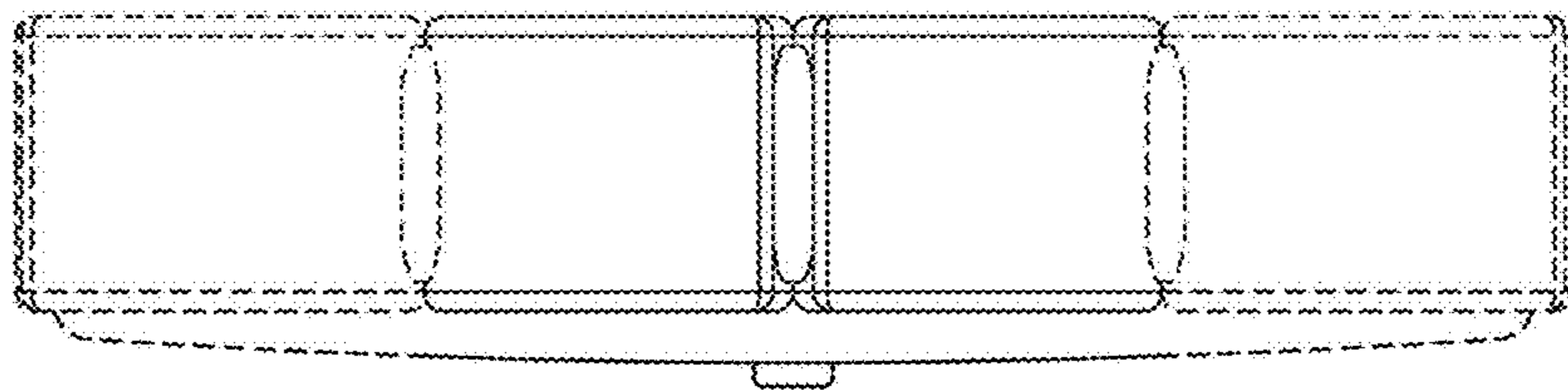


FIG. 7