



US00D790033S

(12) **United States Design Patent**  
**Kremerman**

(10) **Patent No.:** **US D790,033 S**

(45) **Date of Patent:** **\*\* Jun. 20, 2017**

- (54) **DISTILLATION KEY**
- (71) Applicant: **Elliot Kremerman**, Scotts Valley, CA  
(US)
- (72) Inventor: **Elliot Kremerman**, Scotts Valley, CA  
(US)
- (\*\*) Term: **15 Years**
- (21) Appl. No.: **29/589,345**
- (22) Filed: **Dec. 30, 2016**
- (51) **LOC (10) Cl.** ..... **23-01**
- (52) **U.S. Cl.**  
USPC ..... **D23/207**
- (58) **Field of Classification Search**  
USPC ..... D23/207, 209, 213; 202/83, 255, 257,  
202/270; 203/81; D9/439, 544  
CPC ..... B01D 3/04; B01D 3/008; B01D 5/0051;  
B01D 3/143  
See application file for complete search history.

D463,851 S	10/2002	Eastman	
D469,167 S	1/2003	Eastman	
D485,584 S *	1/2004	Lovullo	..... D21/402
D550,819 S	9/2007	Seehoff	
D597,181 S	7/2009	Jones	
D604,809 S	11/2009	Mannella	
D610,225 S *	2/2010	Swain	..... D23/209
D631,527 S *	1/2011	Swain	..... B01D 35/153 D23/209
D673,247 S	12/2012	Eylon	
D680,628 S	4/2013	Houck	
D683,436 S	5/2013	Feliciano	
D690,794 S *	10/2013	Swain	..... D23/209
D695,066 S	12/2013	Nakajima	
D728,078 S	4/2015	Scott	
D730,493 S	5/2015	Sehl	
D767,712 S *	9/2016	Huda	..... D23/207

\* cited by examiner

*Primary Examiner* — Robin V Webster  
(74) *Attorney, Agent, or Firm* — Michael J. Feigin, Esq.;  
Feigin and Fridman

(57) **CLAIM**

The ornamental design for a distillation key, as shown and described.

(56) **References Cited**

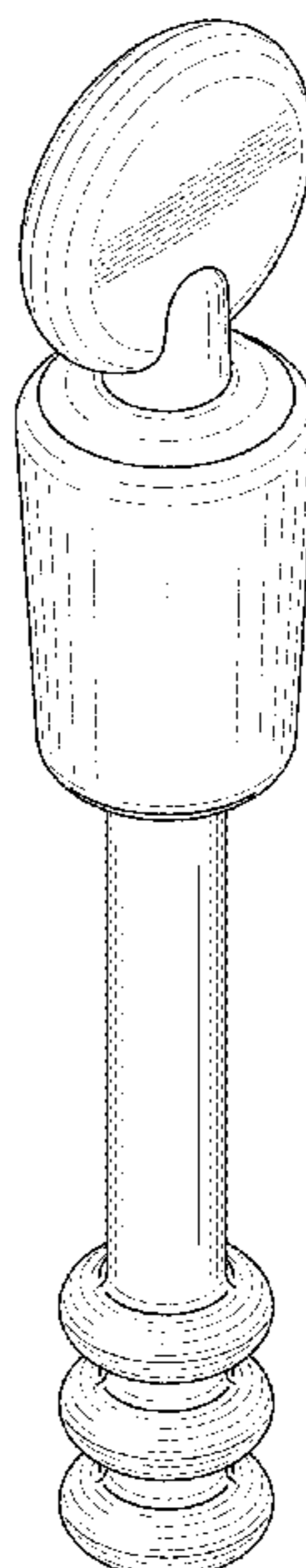
U.S. PATENT DOCUMENTS

D9,683 S *	12/1876	Steele	..... D9/439
D23,176 S *	4/1894	Tatum	..... D9/439
4,065,261 A	12/1977	Fukada	
D248,133 S	6/1978	Shames	
D248,134 S	6/1978	Shames	
4,316,294 A	2/1982	Baldwin	
4,346,059 A	8/1982	Spector	
4,349,042 A	9/1982	Shimizu	
4,370,543 A	1/1983	Nemeth	
4,597,404 A	7/1986	Van Marcke	
4,765,003 A	8/1988	Chang	
D364,917 S	12/1995	Wolf	
D392,371 S	3/1998	Holcombe	
D402,355 S	12/1998	Bahar	
D409,736 S	5/1999	Koehn	

**DESCRIPTION**

FIG. 1 shows a bottom and side perspective view of a distillation key.  
FIG. 2 shows a top and reverse side perspective view thereof.  
FIG. 3 shows a side view, the reverse side being a mirror image thereof.  
FIG. 4 shows a front view, the reverse side being a mirror image thereof.  
FIG. 5 shows a top plan view thereof; and,  
FIG. 6 shows a bottom plan view thereof.

**1 Claim, 3 Drawing Sheets**



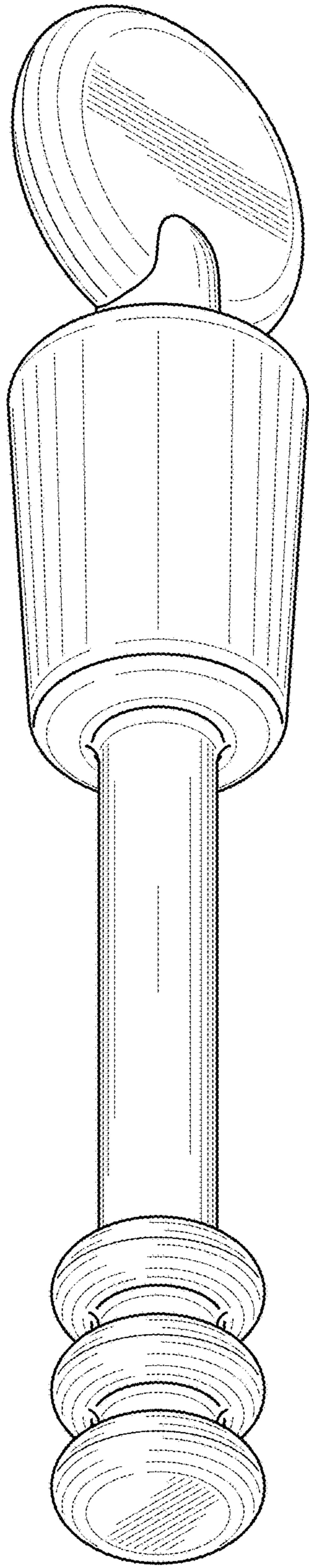


FIG. 1

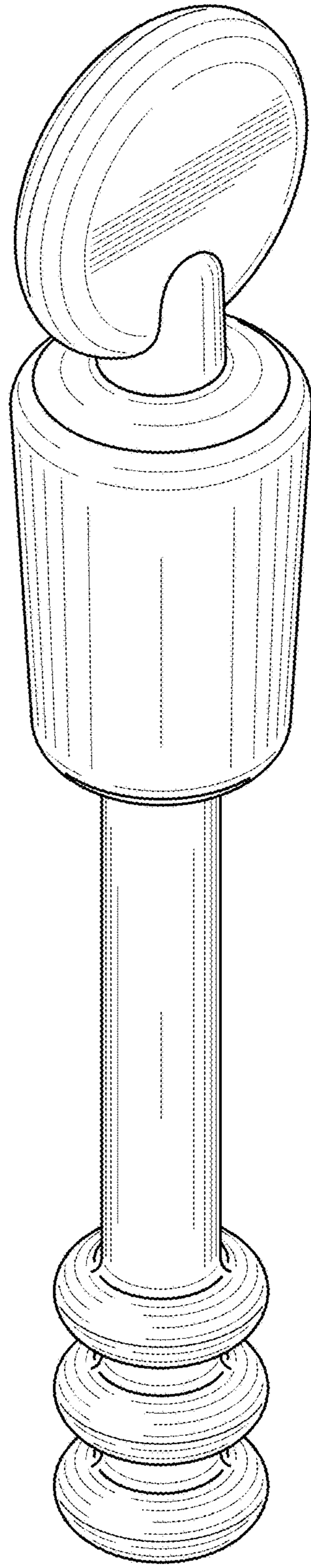


FIG. 2

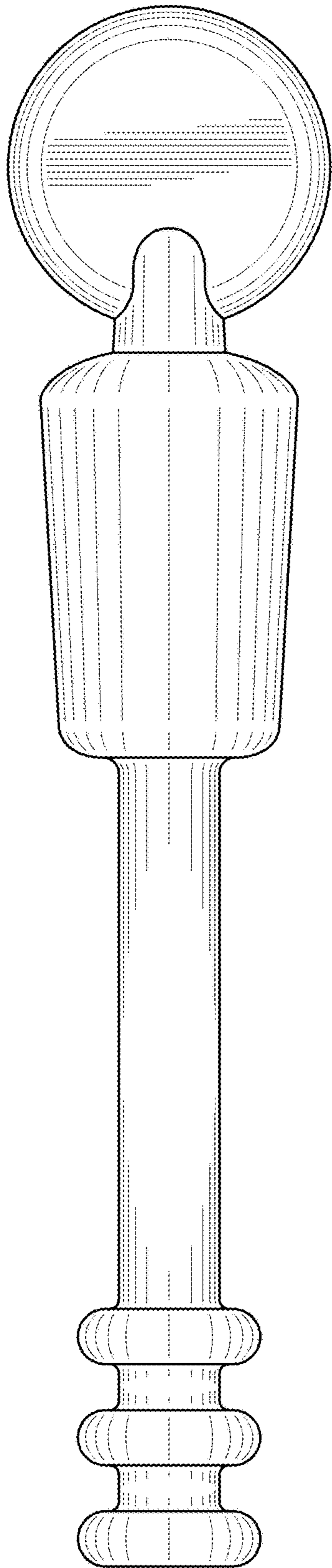


FIG. 3

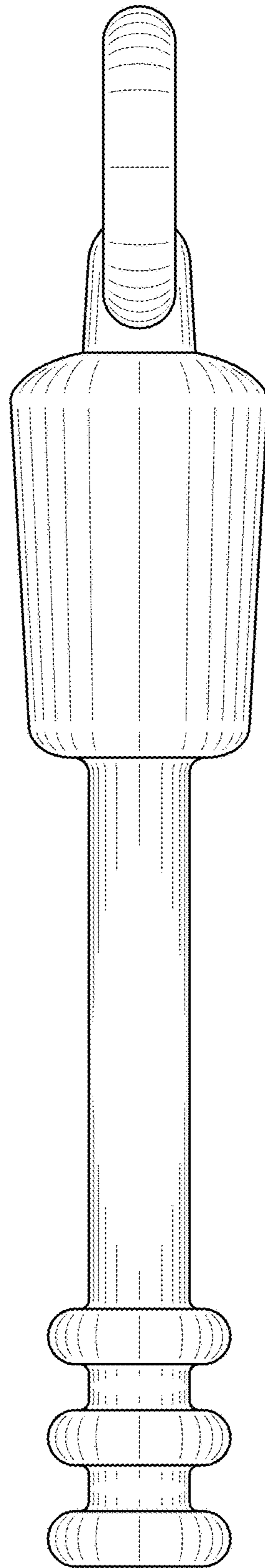


FIG. 4

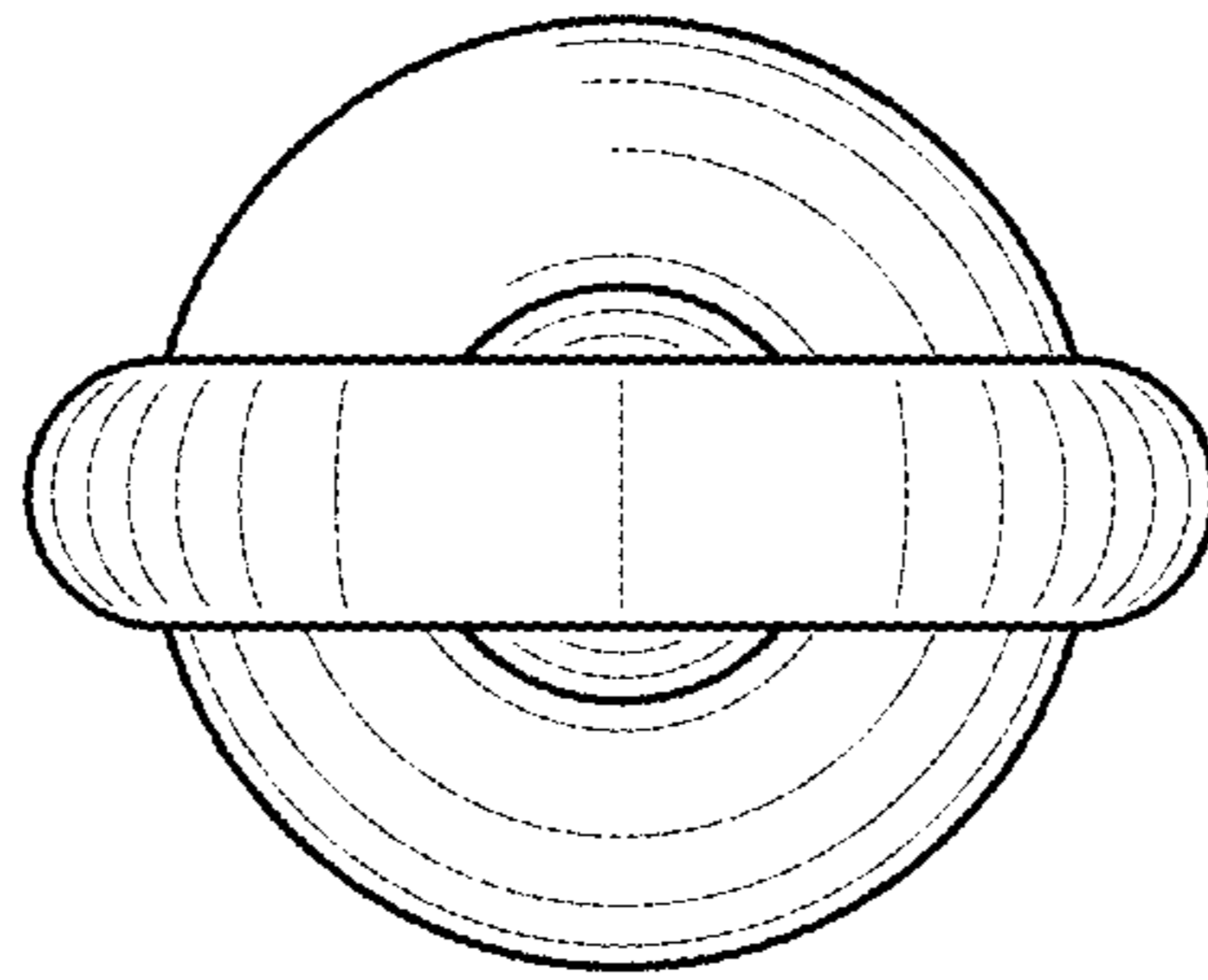


FIG. 5

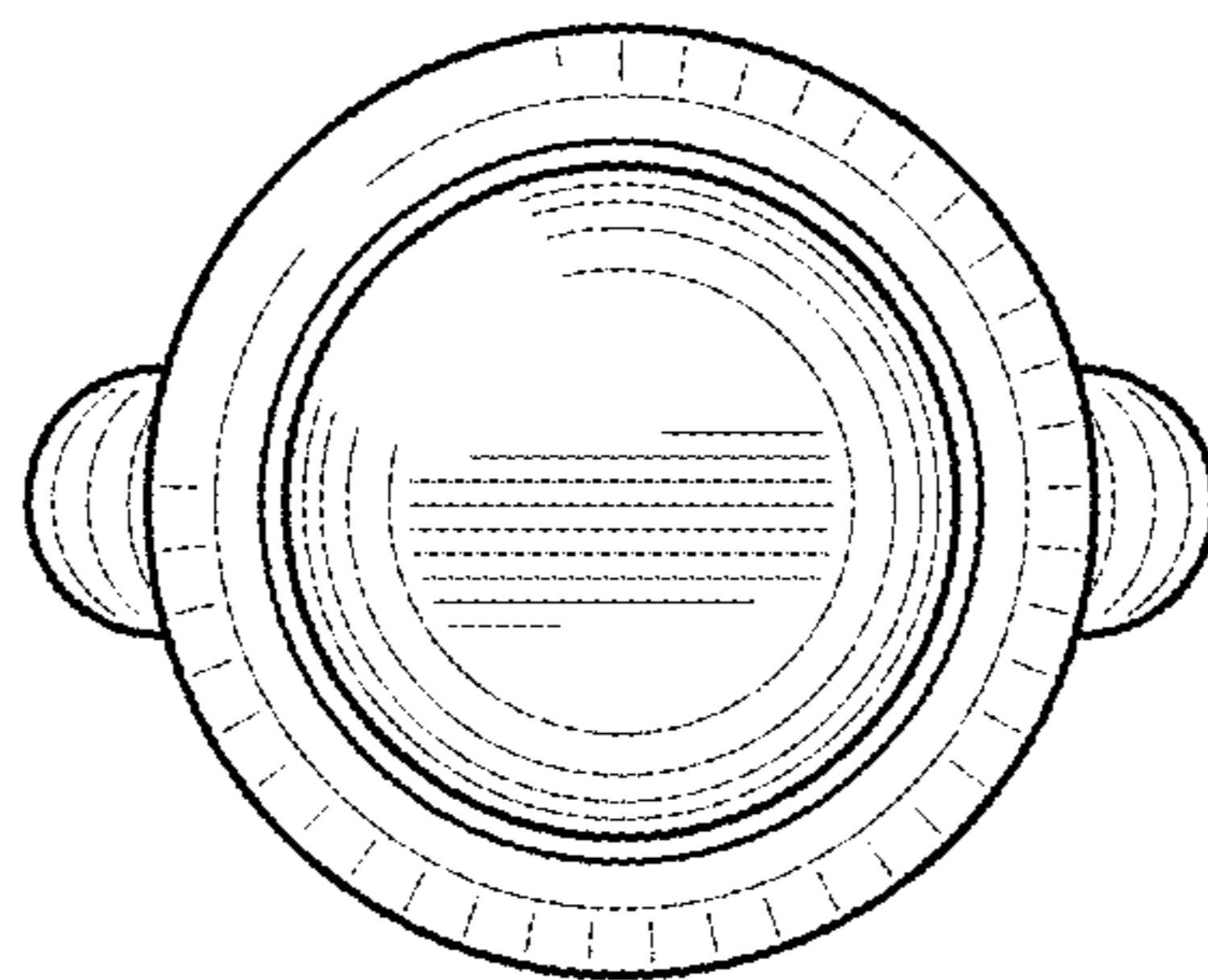


FIG. 6