

US00D790032S

(12) **United States Design Patent**  
**Stone**

(10) **Patent No.:** **US D790,032 S**

(45) **Date of Patent:** **\*\* Jun. 20, 2017**

(54) **ICE FISHING PAN**

(71) Applicant: **James Ryan Stone**, Garden City, UT  
(US)

(72) Inventor: **James Ryan Stone**, Garden City, UT  
(US)

(\*\*) Term: **15 Years**

(21) Appl. No.: **29/562,590**

(22) Filed: **Apr. 27, 2016**

(51) **LOC (10) Cl.** ..... **22-05**

(52) **U.S. Cl.**  
USPC ..... **D22/134**

(58) **Field of Classification Search**  
USPC ..... D22/134, 199; 43/4, 4.5; D7/501, 506,  
D7/553.4  
CPC ..... A01K 69/00; A01K 97/00; A01K 97/01  
See application file for complete search history.

(56) **References Cited**

**U.S. PATENT DOCUMENTS**

5,956,882 A \* 9/1999 Deimel ..... A01K 97/01  
43/4  
D448,622 S \* 10/2001 Horvat ..... D7/501

D467,988 S \* 12/2002 Kemper ..... D22/134  
D518,550 S \* 4/2006 Bertin ..... D22/134  
D648,819 S \* 11/2011 Bronk ..... D22/122  
D649,216 S \* 11/2011 Dodge ..... D22/134  
8,943,733 B2 \* 2/2015 Katz ..... A01K 97/01  
43/4  
D778,397 S \* 2/2017 Zhang ..... D22/122

\* cited by examiner

*Primary Examiner* — Catheri Oliver-Garcia

(74) *Attorney, Agent, or Firm* — Workman Nydegger

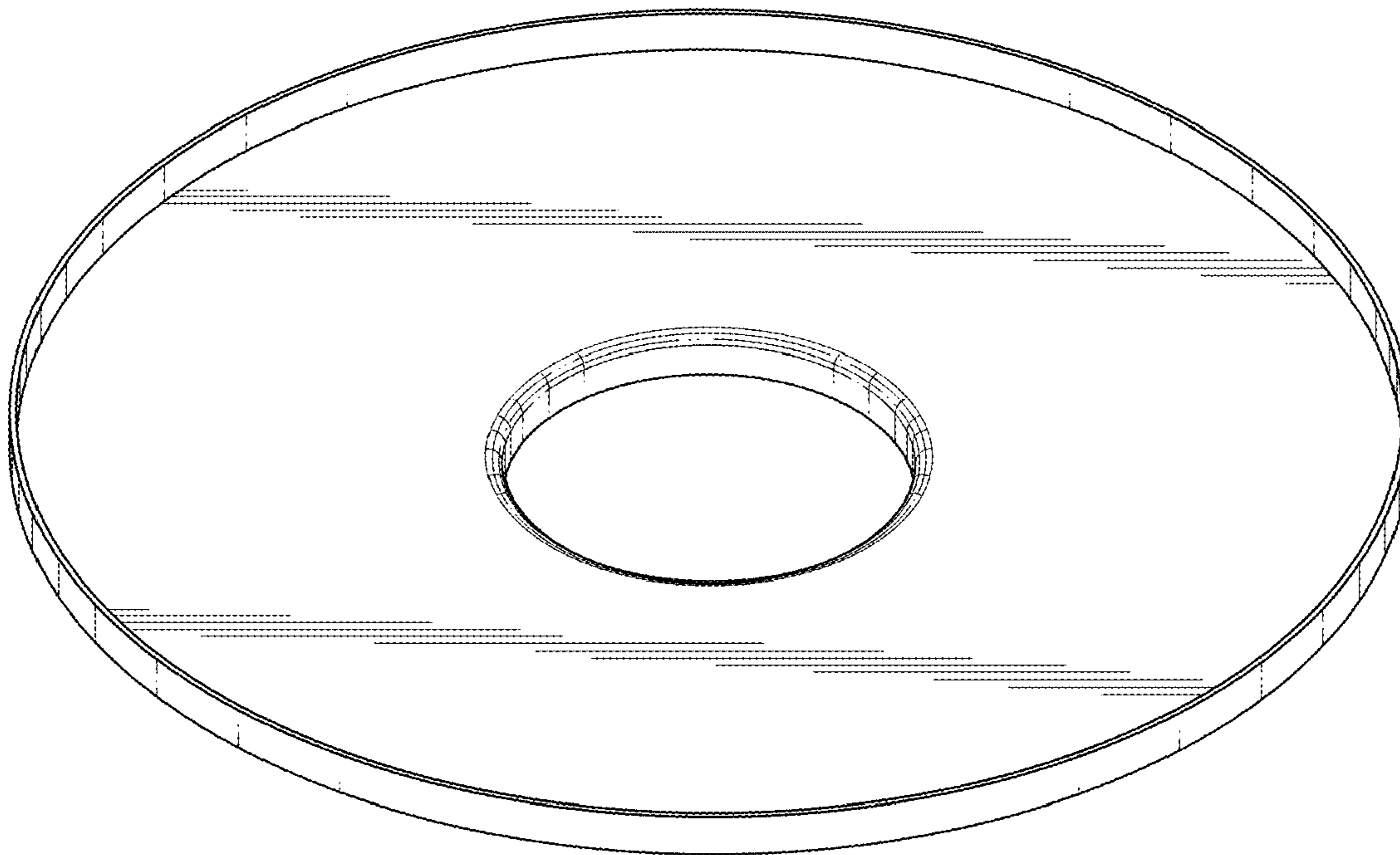
(57) **CLAIM**

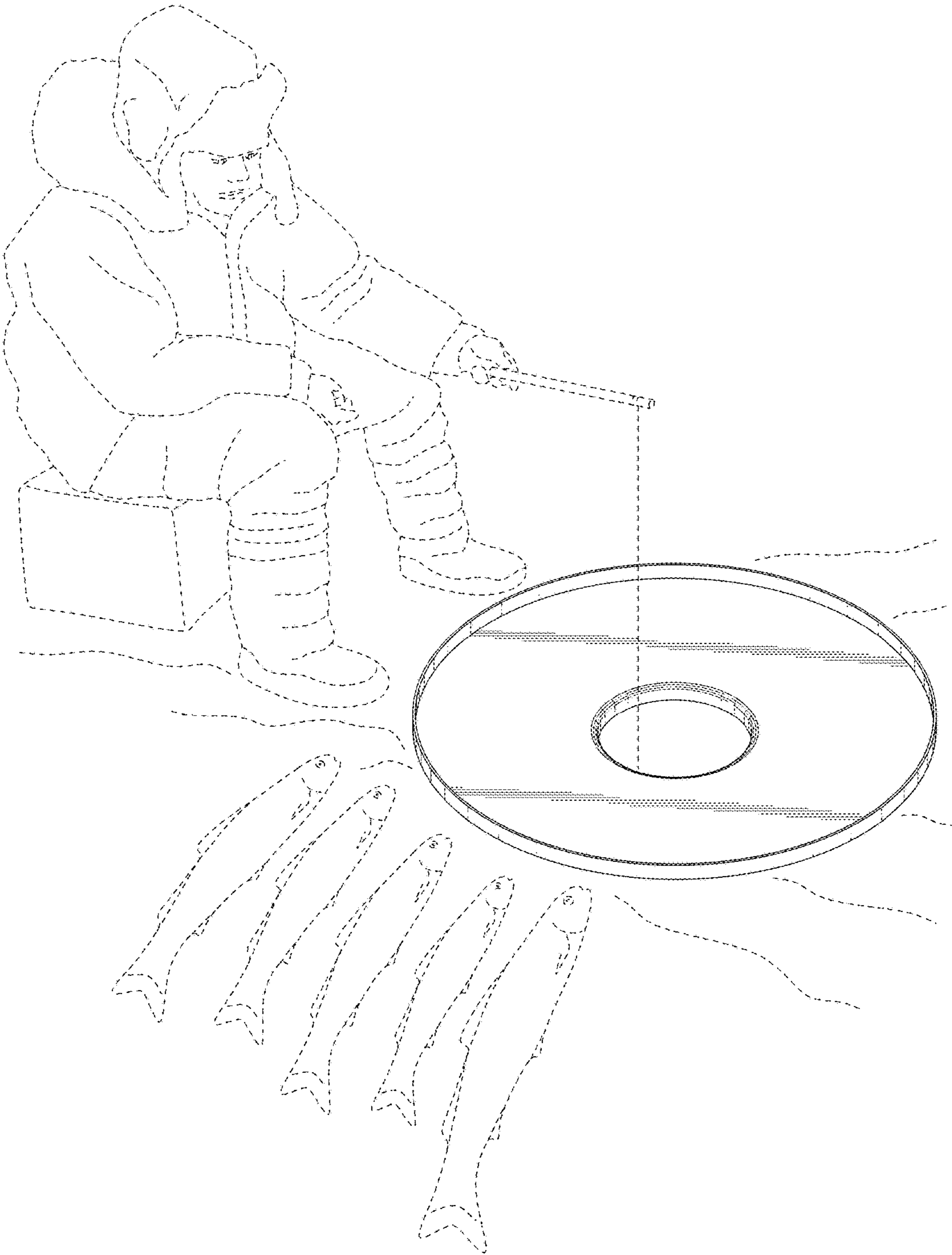
The ornamental design for an ice fishing pan, as shown and described.

**DESCRIPTION**

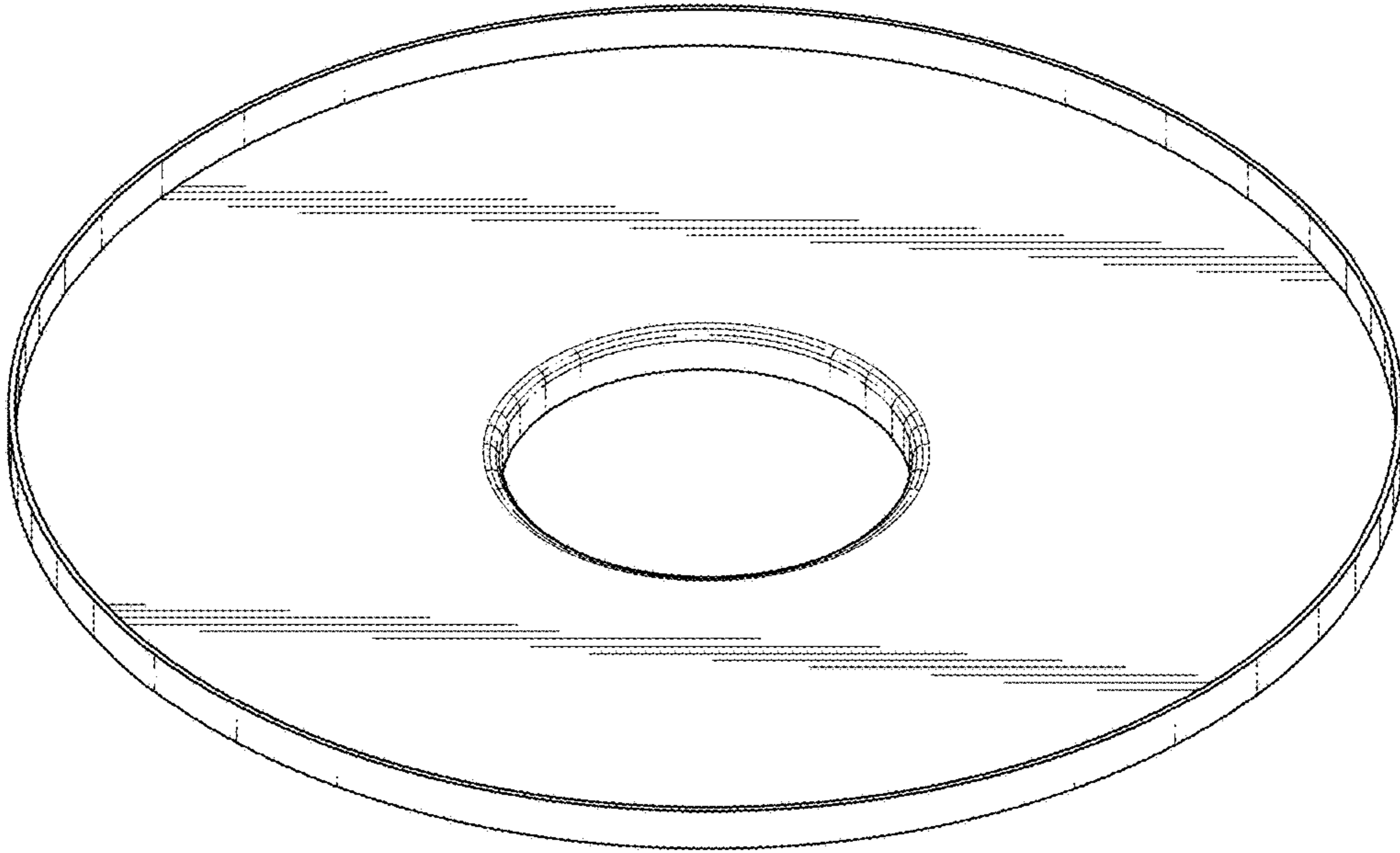
FIG. 1 is a perspective view of an ice fishing pan in an environment of use showing the new design;  
FIG. 2 is a top perspective view of an ice fishing pan showing the new design;  
FIG. 3 is a bottom perspective view thereof;  
FIG. 4 is a top plan view thereof;  
FIG. 5 is a side elevational view thereof; and,  
FIG. 6 is a bottom plan view thereof.  
In the drawings, the broken lines depict environmental subject matter only and form no part of the claimed design.

**1 Claim, 4 Drawing Sheets**

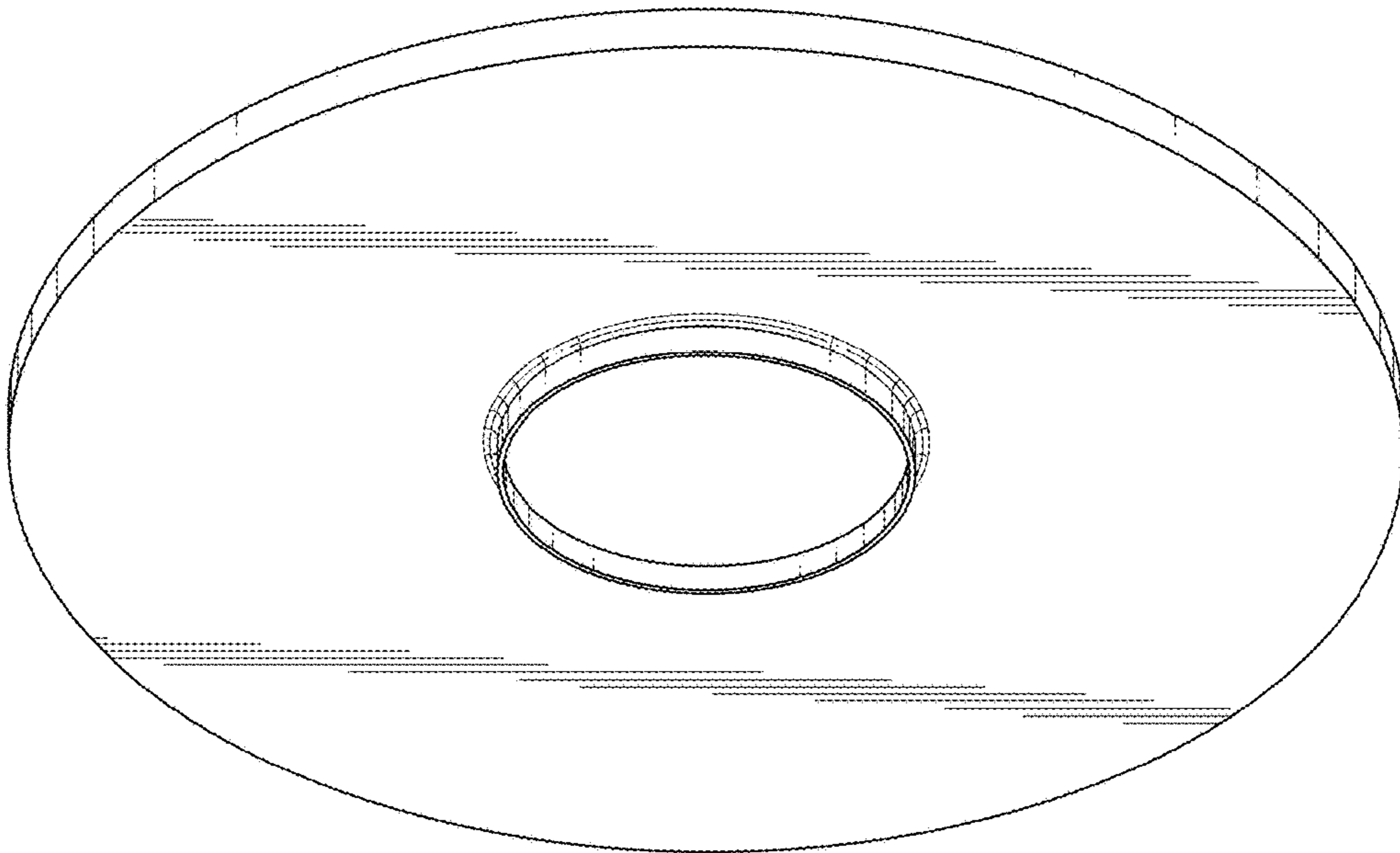




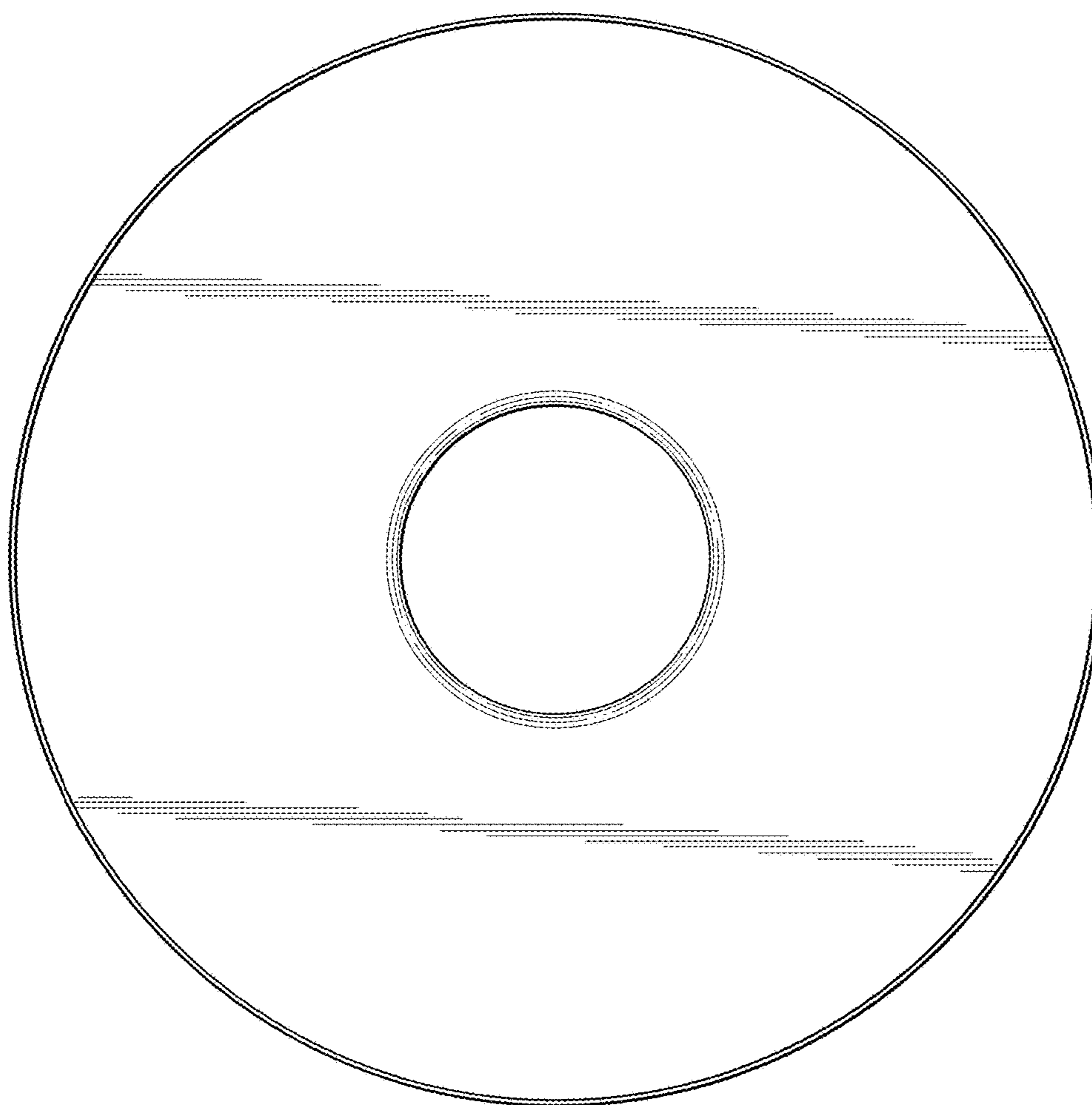
**FIG. 1**



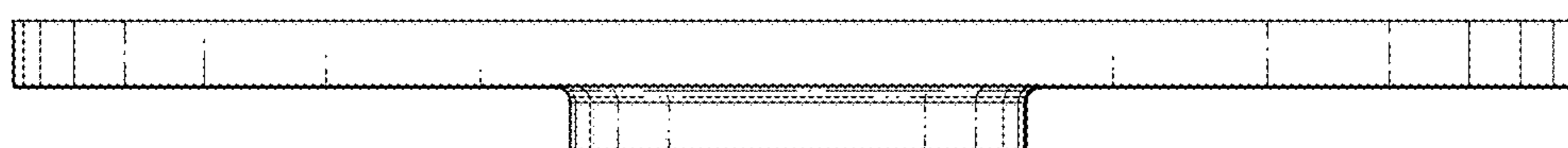
**FIG. 2**



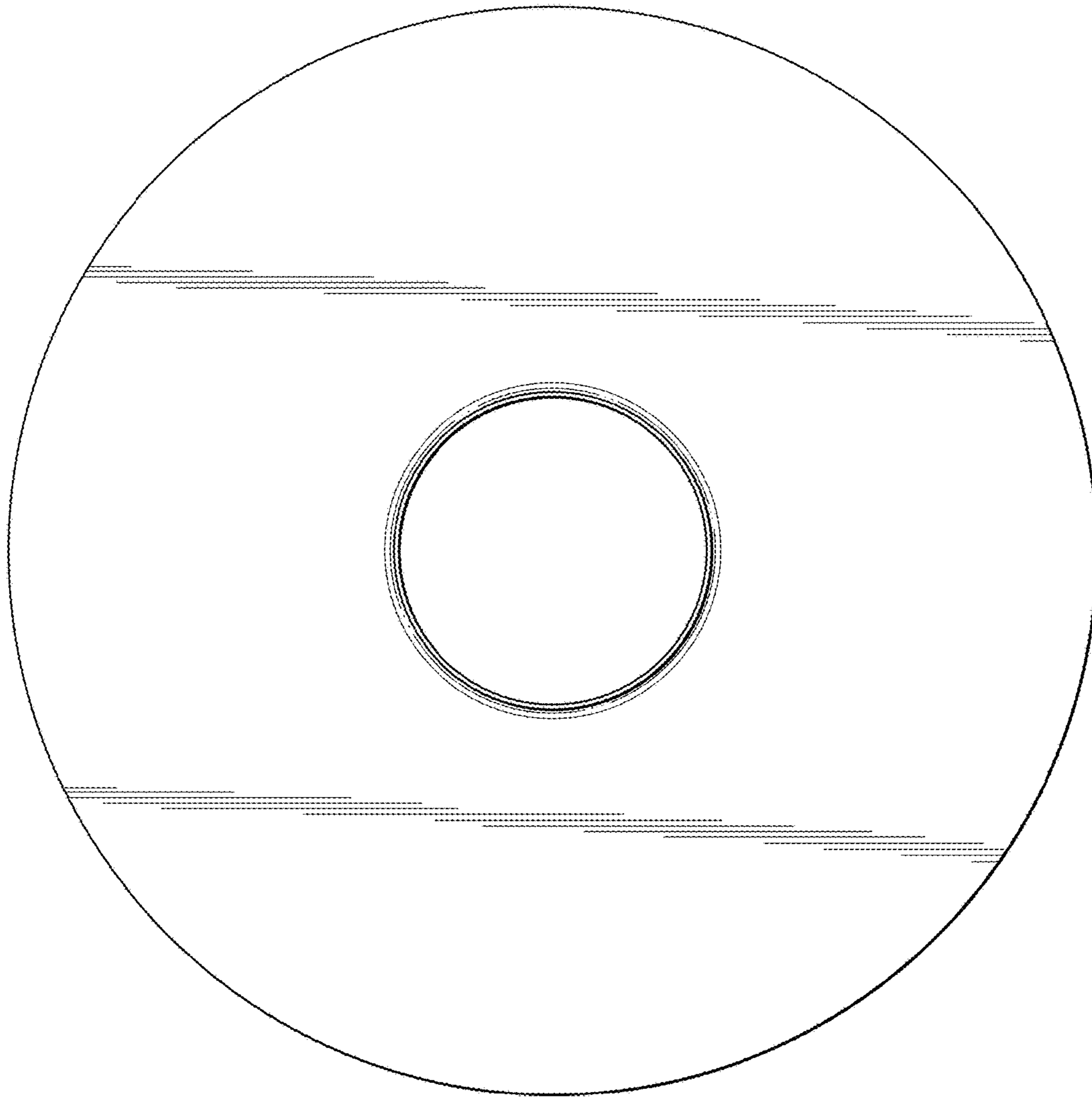
**FIG. 3**



**FIG. 4**



**FIG. 5**



**FIG. 6**