



US00D790031S

(12) **United States Design Patent** (10) **Patent No.:** **US D790,031 S**  
**Hall** (45) **Date of Patent:** **\*\* Jun. 20, 2017**

(54) **FISH TAPE LEADER**  
(71) Applicant: **Marie Hall**, Conyers, GA (US)  
(72) Inventor: **Clarence Hall**, Conyers, GA (US)  
(\*\*) Term: **15 Years**  
(21) Appl. No.: **29/533,109**  
(22) Filed: **Jul. 14, 2015**  
(51) **LOC (10) Cl.** ..... **22-05**  
(52) **U.S. Cl.**  
USPC ..... **D22/134**  
(58) **Field of Classification Search**  
USPC ..... D21/473, 474, 803; D22/121, 125, 126,  
D22/136, 137, 146; D32/29.37, 53  
CPC ..... A01K 97/00; A01K 97/02; A01K 97/04;  
B63B 17/00; A01G 31/02; B65D 25/00;  
B65G 45/04  
See application file for complete search history.

2003/0046857 A1\* 3/2003 Paulsen ..... A01K 95/00  
43/42.06  
2004/0068916 A1\* 4/2004 Harris ..... A01K 97/02  
43/44.99  
2007/0147173 A1\* 6/2007 Park ..... G01S 7/521  
367/107  
2007/0180758 A1\* 8/2007 Patton ..... A01K 91/06  
43/44.92  
2008/0022579 A1\* 1/2008 Osenbach ..... A01K 91/02  
43/43.1  
2008/0236020 A1\* 10/2008 Murrell ..... A01K 83/06  
43/4.5  
2013/0049237 A1\* 2/2013 Al-Anzi ..... A01K 61/02  
261/120  
2014/0027358 A1\* 1/2014 Sayre ..... C02F 1/688  
210/85

\* cited by examiner

*Primary Examiner* — Manpreet Matharu  
*Assistant Examiner* — Suzanne Tisdell  
(74) *Attorney, Agent, or Firm* — Michael J. Bootcheck,  
LLC

(56) **References Cited**

U.S. PATENT DOCUMENTS

2,534,709 A \* 12/1950 Goertzen ..... A01K 75/02  
362/203  
2,614,358 A \* 10/1952 Adams ..... A01K 97/02  
43/43.1  
D300,344 S \* 3/1989 Boulette, III ..... D22/126  
D302,842 S \* 8/1989 Holzman ..... D22/129  
5,031,351 A \* 7/1991 Rogel ..... A01K 95/00  
43/43.12  
D442,256 S \* 5/2001 Haney ..... D22/146  
D466,582 S \* 12/2002 Haney ..... D22/146  
D562,934 S \* 2/2008 Haney ..... D22/146  
D616,524 S \* 5/2010 Haroian ..... D22/134  
D691,694 S \* 10/2013 Marshall ..... D22/126  
D747,434 S \* 1/2016 Gibbs ..... D22/126

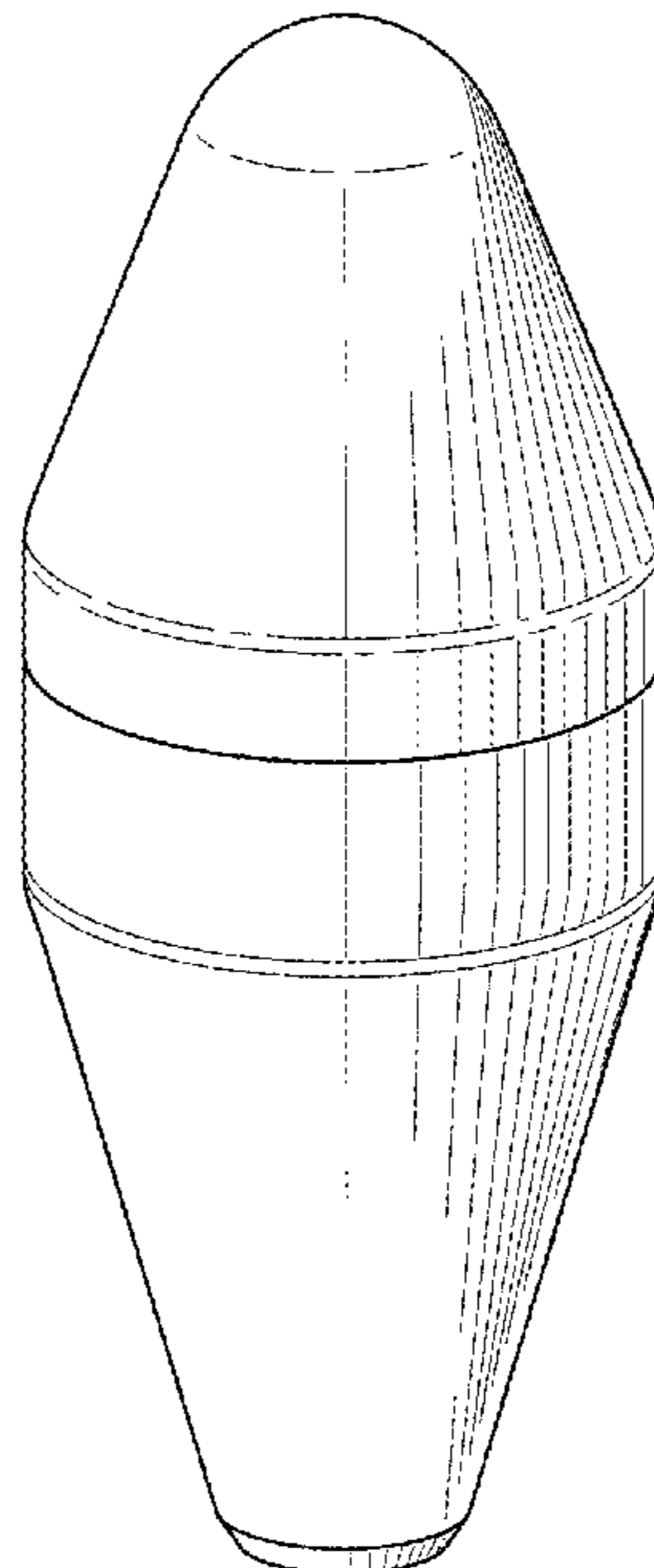
(57) **CLAIM**

The ornamental design for a fish tape leader, as shown and described.

**DESCRIPTION**

FIG. 1 is a perspective view of the fish tape leader with a tape extending therefrom;  
FIG. 2 is an exploded perspective view thereof;  
FIG. 3 is a side view thereof;  
FIG. 4 is a front view thereof; and,  
FIG. 5 is a rear view thereof.  
The broken lines shown represent unclaimed subject matter and form no part of the claimed design.

**1 Claim, 2 Drawing Sheets**



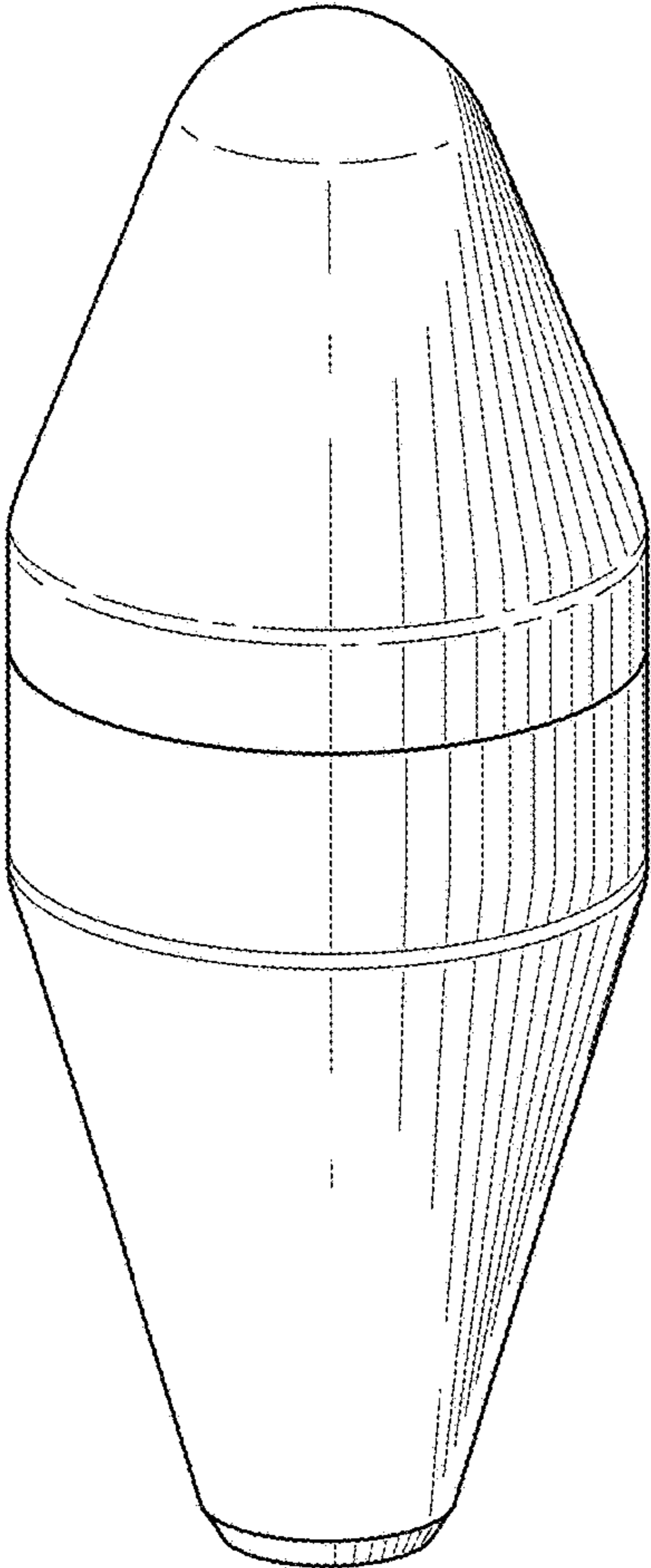


FIG. 1

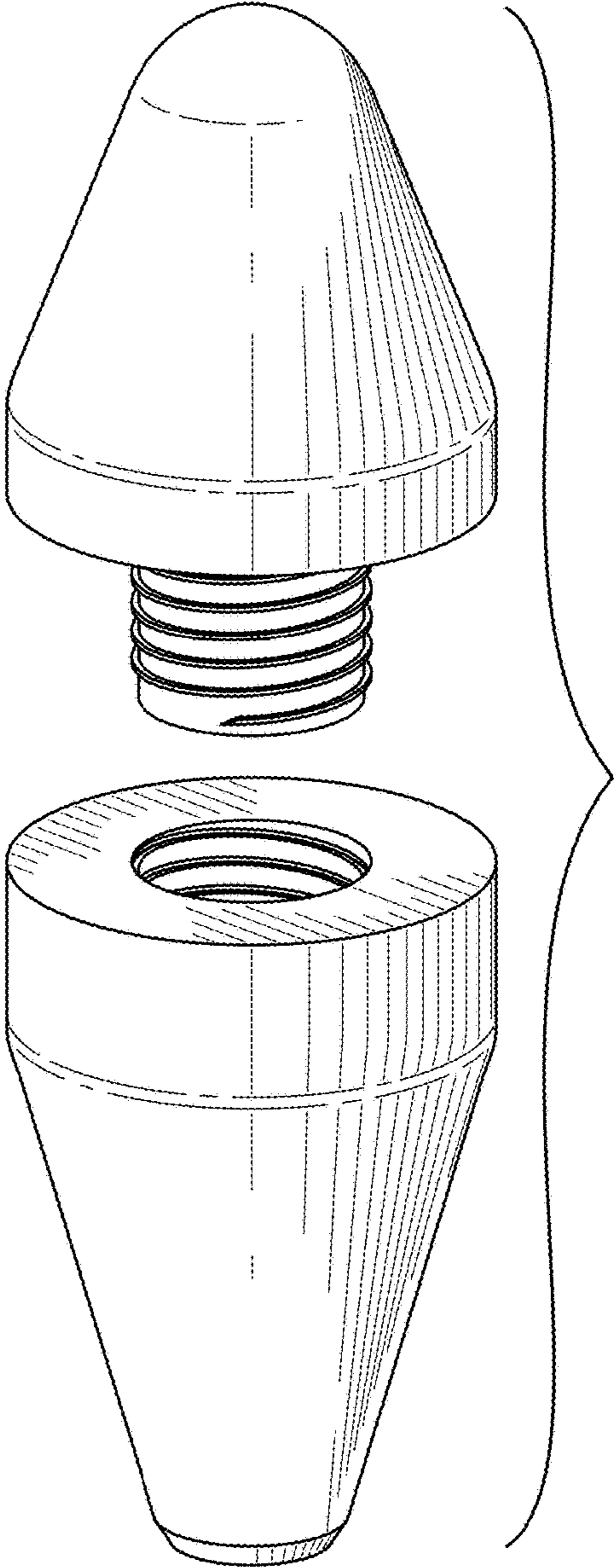


FIG. 2

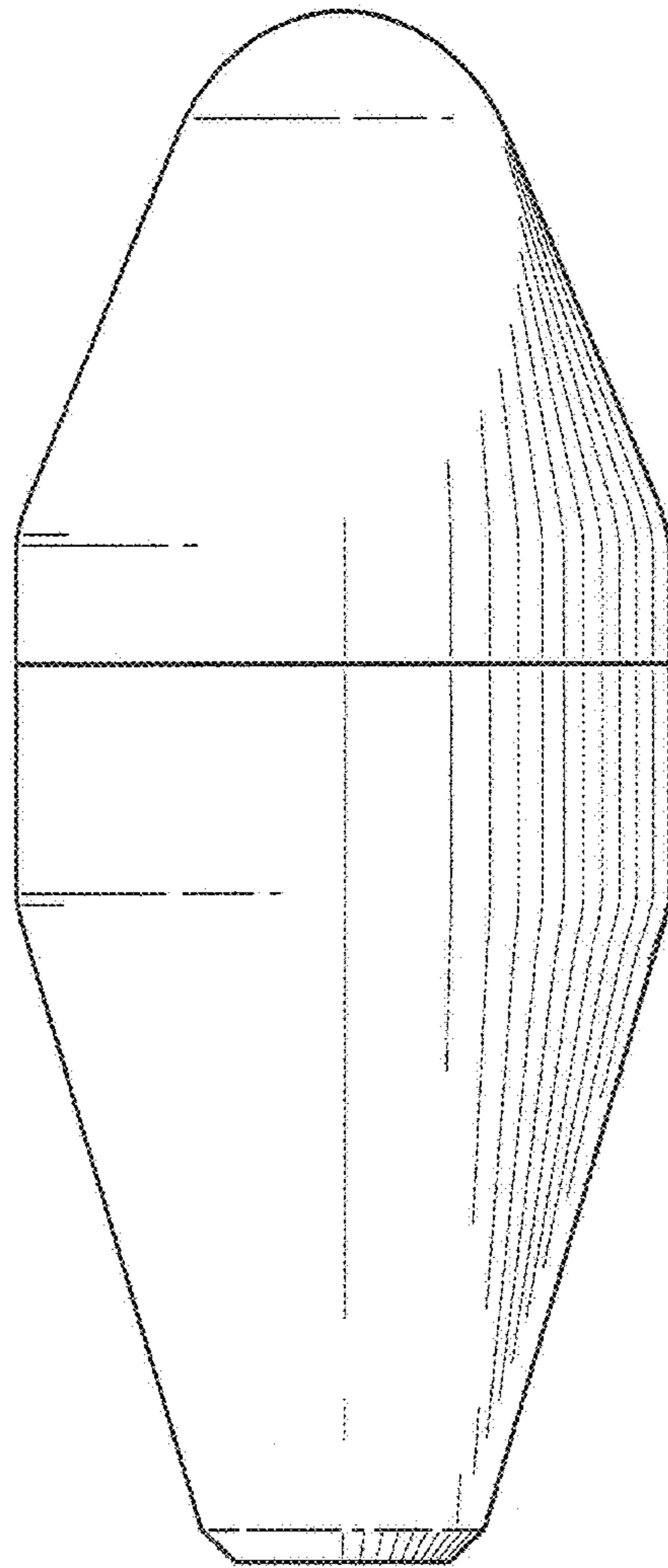


FIG. 3

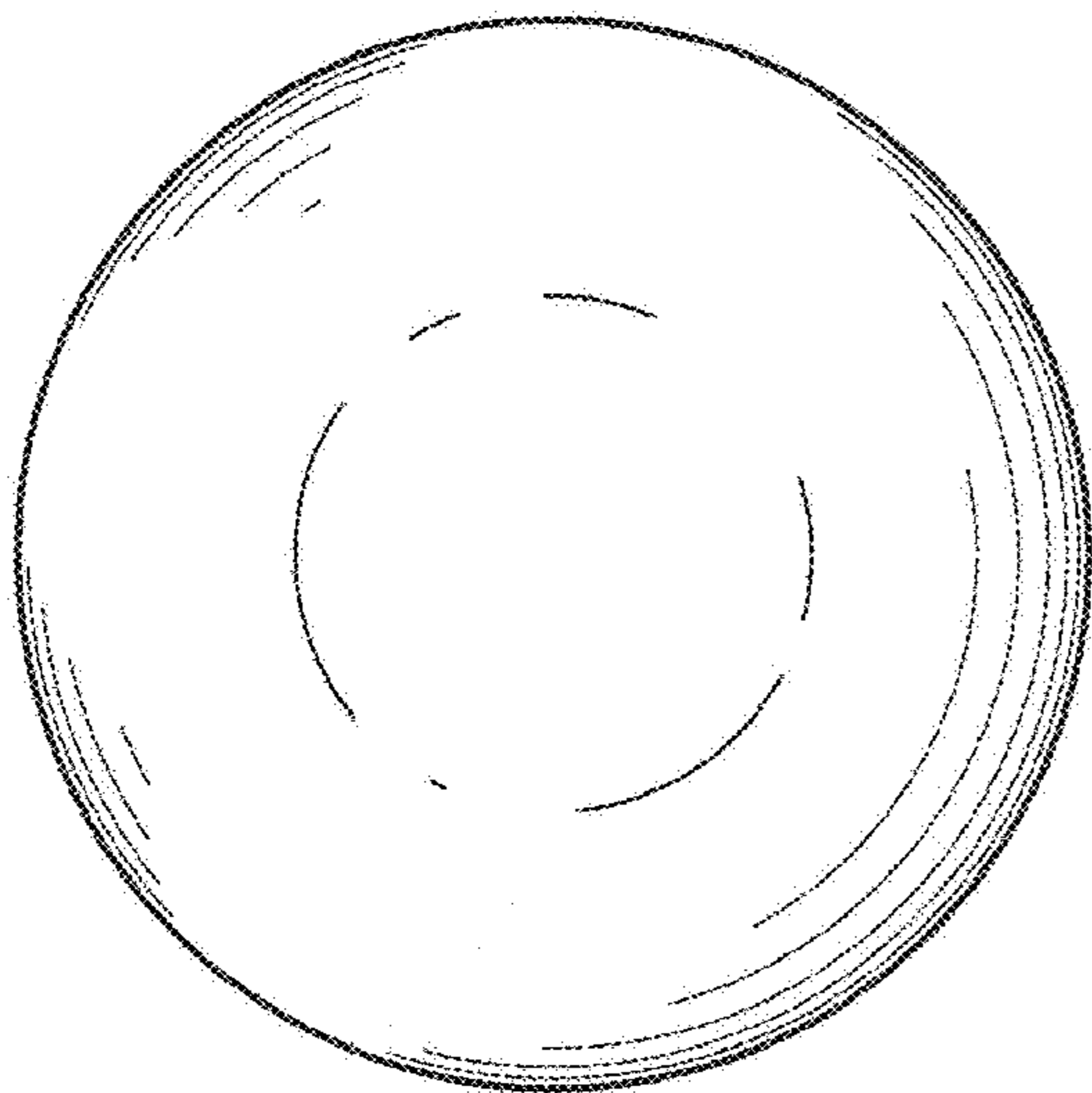


FIG. 4

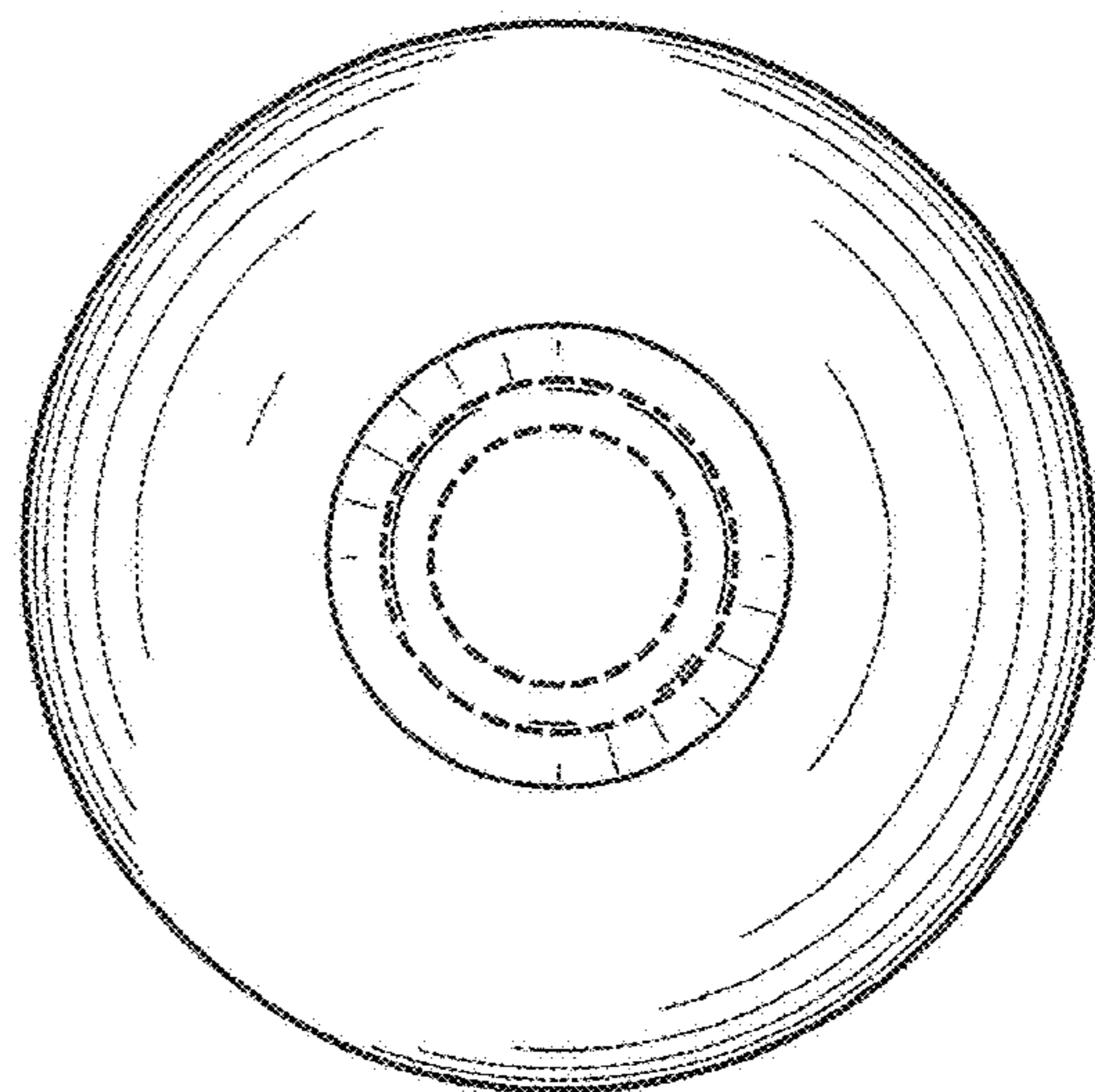


FIG. 5