



US00D790028S

(12) **United States Design Patent**
Geissele

(10) **Patent No.:** **US D790,028 S**
(45) **Date of Patent:** **** Jun. 20, 2017**

- (54) **BOLT CARRIER**
- (71) Applicant: **WHG Properties, LLC**, North Wales, PA (US)
- (72) Inventor: **William H. Geissele**, Lower Gwynedd, PA (US)
- (73) Assignee: **WHG Properties, LLC**, North Wales, PA (US)
- (**) Term: **15 Years**
- (21) Appl. No.: **29/553,586**
- (22) Filed: **Feb. 3, 2016**
- (51) **LOC (10) Cl.** **22-01**
- (52) **U.S. Cl.**
USPC **D22/108**
- (58) **Field of Classification Search**
USPC D22/108; 89/17, 19, 20.2, 21, 191.01, 89/191.02, 192; 42/16-19
CPC F41C 27/00; F41A 5/00; F41A 5/18
See application file for complete search history.

- (56) **References Cited**
- U.S. PATENT DOCUMENTS
- D641,451 S * 7/2011 Gomez F41A 5/20
D22/108
- 2010/0319527 A1* 12/2010 Giefing F41A 3/26
89/185

OTHER PUBLICATIONS

Rainier Arms, Bootleg Adjustable Carrier 5.56, Publication Date Unknown, [site visited Jan. 16, 2017], Available on the Internet

URL:<<https://www.rainierarms.com/bootleg-adjustable-carrier-5-56>>.*

* cited by examiner

Primary Examiner — Susan Bennett Hattan
Assistant Examiner — S. Bryan Reinholdt, Jr.
(74) *Attorney, Agent, or Firm* — Merchant & Gould, P.C.

(57) **CLAIM**

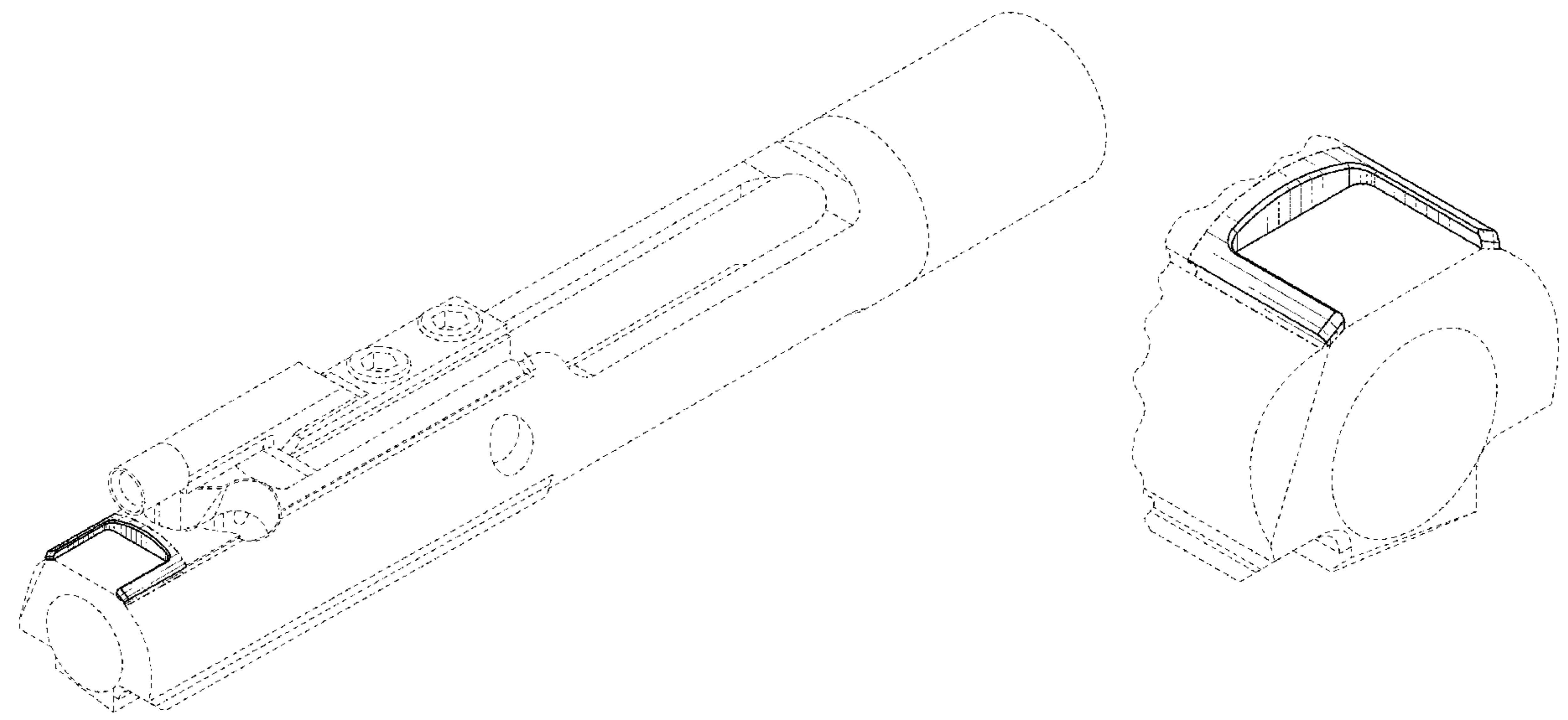
The ornamental design for a bolt carrier, as shown and described.

DESCRIPTION

FIG. 1 is an isometric view of a bolt carrier in accordance with the present disclosure;
FIG. 2 is a further isometric view of the bolt carrier of FIG. 1;
FIG. 3 is a front elevation view of the bolt carrier of FIG. 1
FIG. 4 is a right side elevation view of the bolt carrier of FIG. 1
FIG. 5 is a left side elevation view of the bolt carrier of FIG. 1;
FIG. 6 is a top view of the bolt carrier of FIG. 1;
FIG. 7 is an enlarged isometric view of the bolt carrier as shown in FIG. 1; and,
FIG. 8 is enlarged isometric view of the bolt carrier as shown in FIG. 2.

The broken lines in the Figures represent portions of the bolt carrier that form no part of the claimed design. The dot-dashed-dot broken lines depict the boundary of the claim and form no part of the claim.

1 Claim, 4 Drawing Sheets



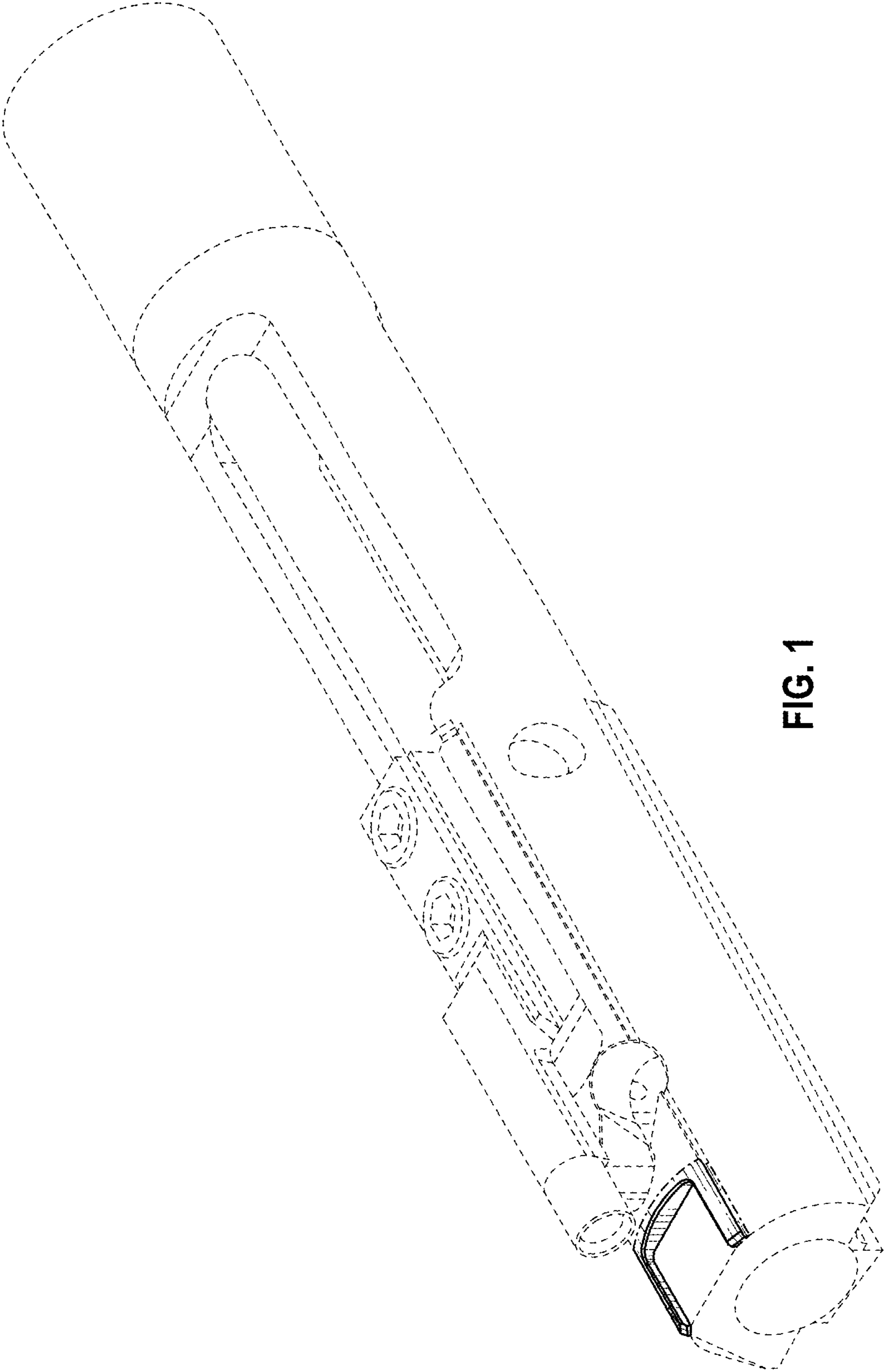


FIG. 1

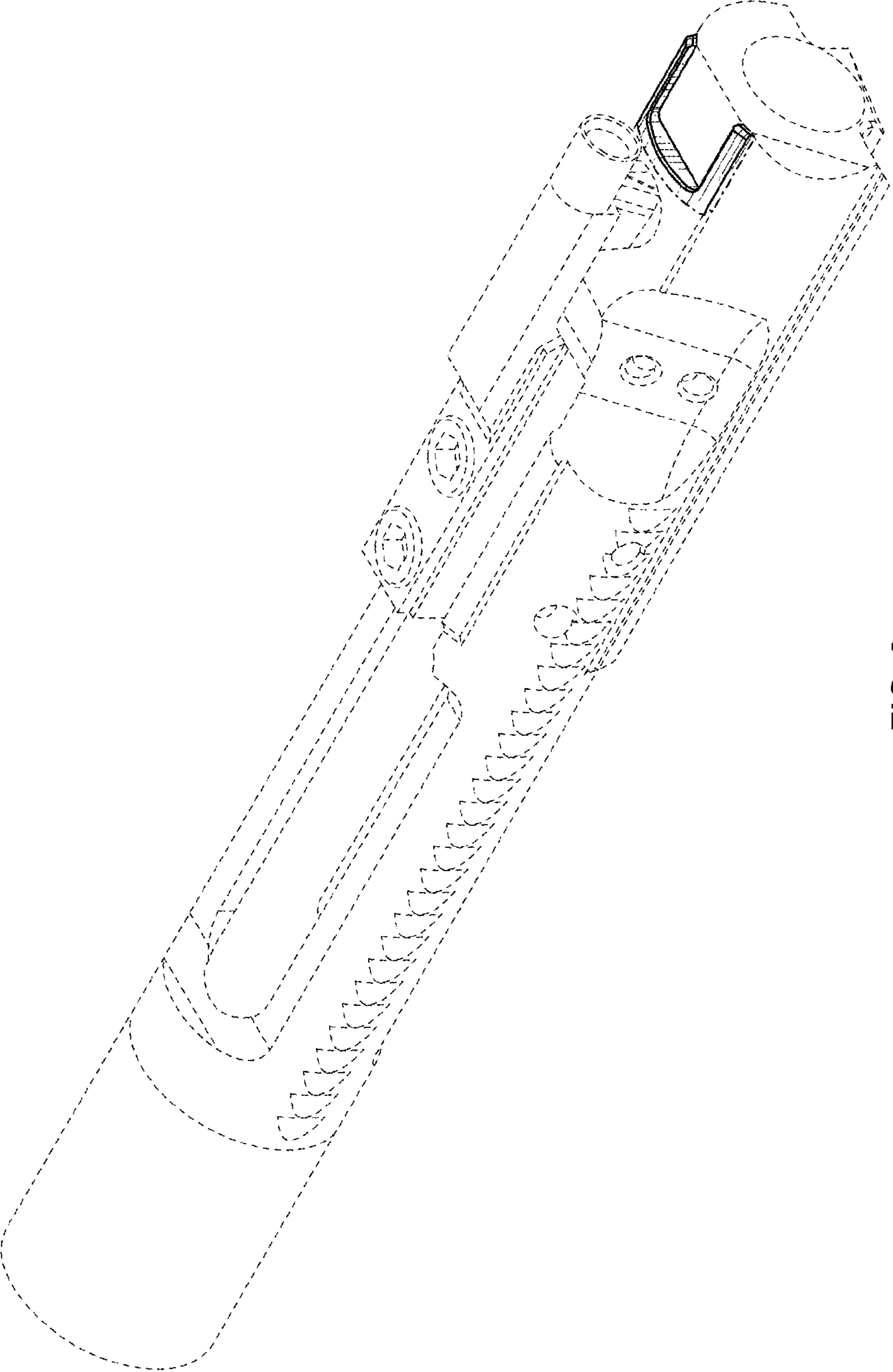


FIG. 2

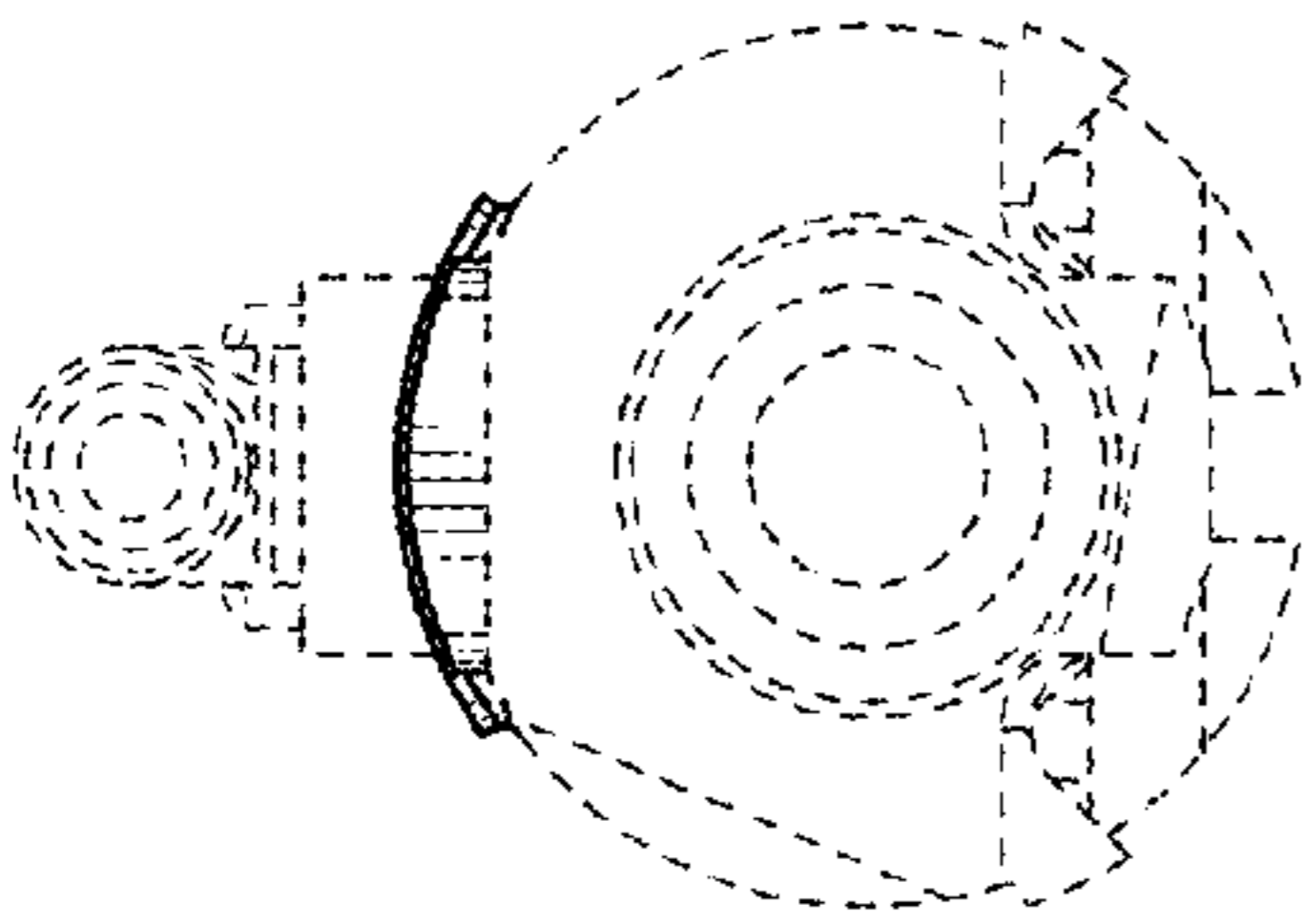


FIG. 3

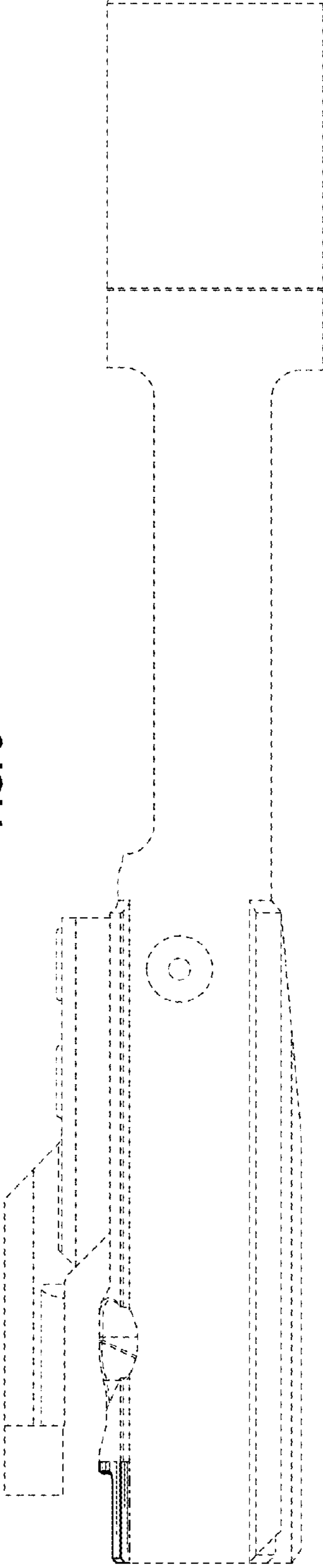


FIG. 4

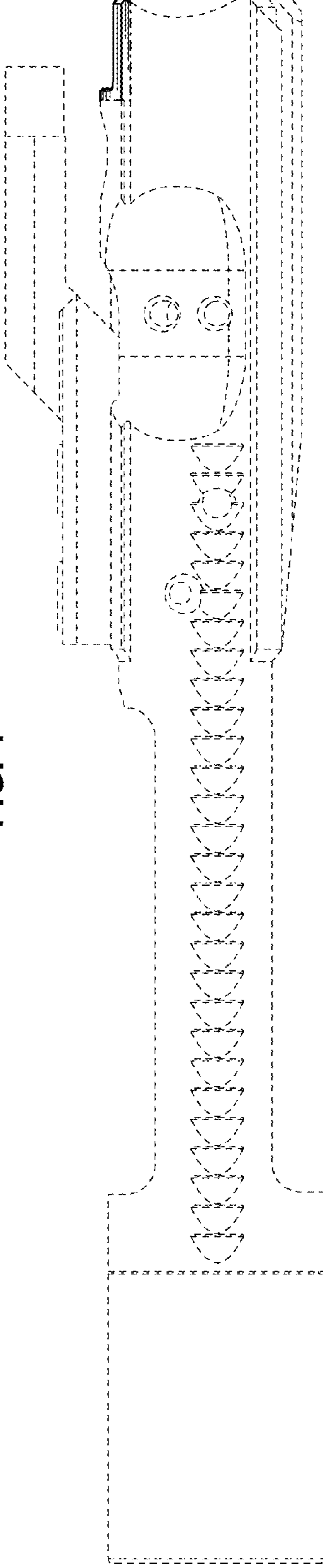


FIG. 5

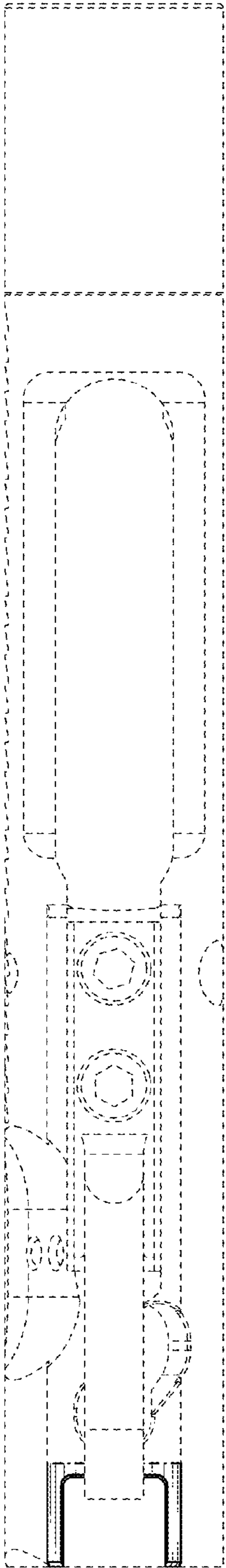


FIG. 6

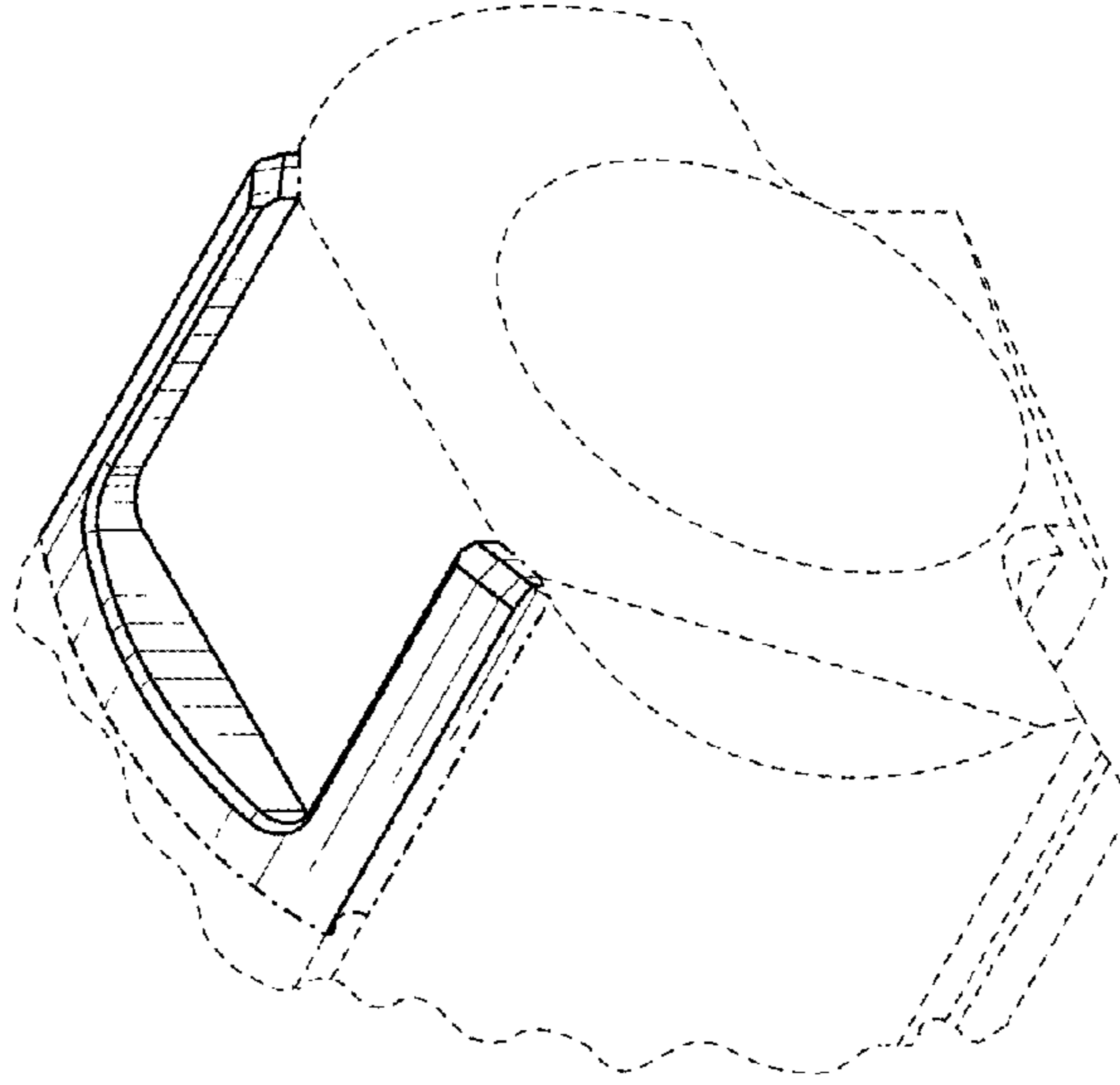


FIG. 8

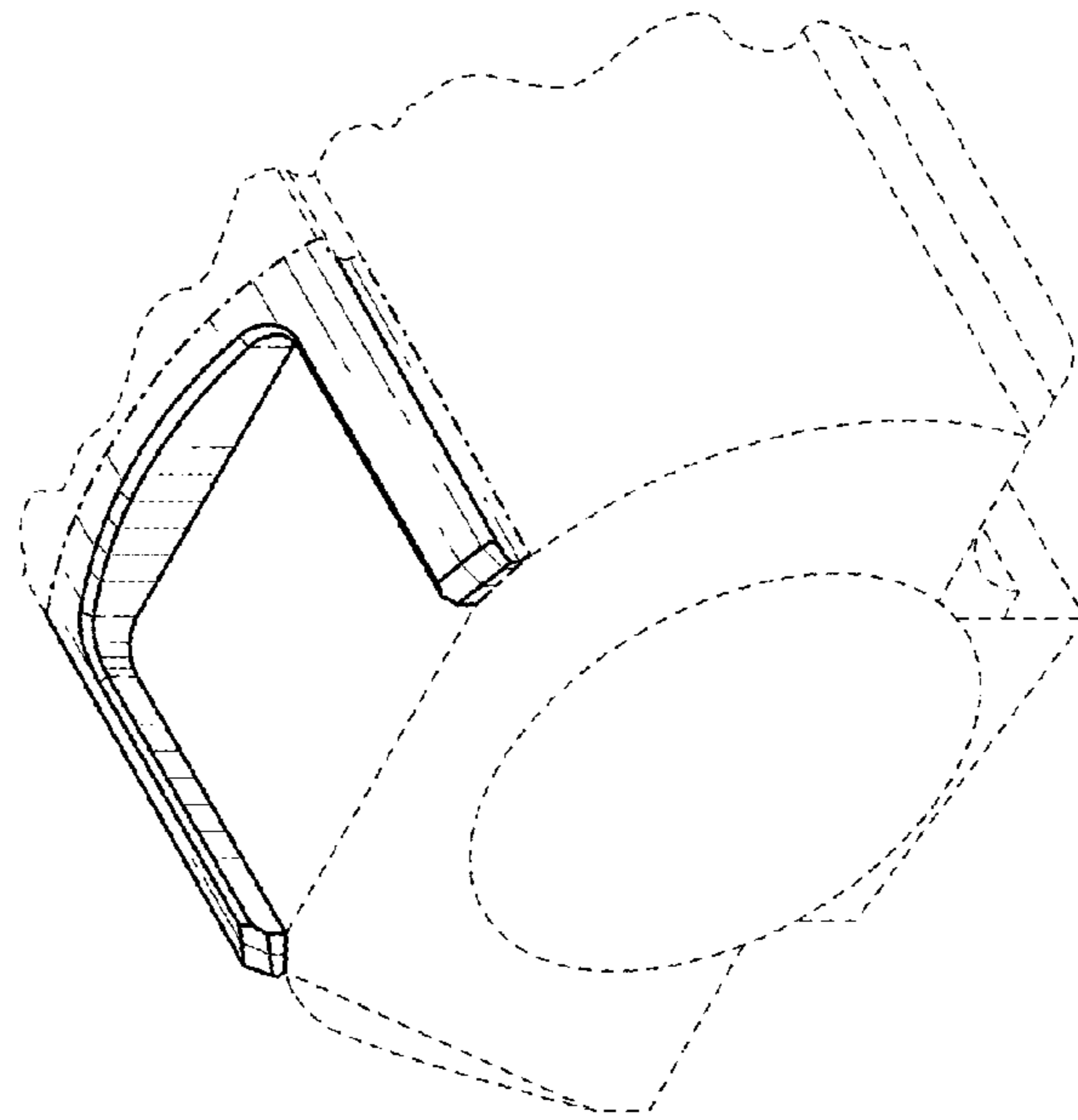


FIG. 7