



US00D790027S

(12) **United States Design Patent**  
**McCracken et al.**

(10) **Patent No.:** **US D790,027 S**

(45) **Date of Patent:** **\*\* Jun. 20, 2017**

(54) **GRASPABLE STRUCTURE FOR A FIREARM SLIDE**

(71) Applicant: **TURNKEY TECHNICAL SERVICE, LLC**, Knoxville, TN (US)

(72) Inventors: **John C. McCracken**, Knoxville, TN (US); **Paul D. Vannasdale**, Clinton, TN (US); **Douglas J. Warren**, Louisville, TN (US); **James L. Bailey**, Powell, TN (US)

(73) Assignee: **TURNKEY TECHNICAL SERVICES, LLC**, Knoxville, TN (US)

(\*\*) Term: **15 Years**

(21) Appl. No.: **29/544,311**

(22) Filed: **Nov. 2, 2015**

(51) **LOC (10) Cl.** ..... **22-01**

(52) **U.S. Cl.**

USPC ..... **D22/108**

(58) **Field of Classification Search**

USPC ..... D22/108, 199; 135/72

CPC ..... F42B 39/00; A61H 3/02

See application file for complete search history.

(56) **References Cited**

**U.S. PATENT DOCUMENTS**

D631,123 S \* 1/2011 Byers ..... D22/108

**OTHER PUBLICATIONS**

Rimfire Sports and Custom, Tactical Solutions Ruger Mark III Pistol Bolt Racker, publication date unknown, [site visited Oct. 26, 2016], Available on the Internet URL:<[http://www.rimfiresports.com/merchant.mv?Screen=PROD&Store\\_Code=RSC&Product\\_Code=TS-RACKER](http://www.rimfiresports.com/merchant.mv?Screen=PROD&Store_Code=RSC&Product_Code=TS-RACKER)>.\*

EZ Slide Racker, Springer Precision LLC, [www.brownells.com](http://www.brownells.com), document was publicly available prior to the filing of named application.

Slide Racker for Glock, Tactical Supply Depot, [www.brownells.com](http://www.brownells.com), document was publicly available prior to the filing of named application.

\* cited by examiner

*Primary Examiner* — Susan Bennett Hattan

*Assistant Examiner* — S. Bryan Reinholdt, Jr.

(74) *Attorney, Agent, or Firm* — Withers & Keys, LLC

(57) **CLAIM**

The ornamental design for a graspable structure for a firearm slide, as shown and described.

**DESCRIPTION**

FIG. 1 shows a first side perspective view of the graspable structure for a firearm slide with a firearm slide shown in broken lines for context.

FIG. 2 shows the first side perspective view of the first embodiment.

FIG. 3 shows a second side perspective view of the first embodiment, the second side being opposite the first side.

FIG. 4 shows the first side view of the first embodiment.

FIG. 5 shows the second side view of the first embodiment.

FIG. 6 shows the third side view of the first embodiment.

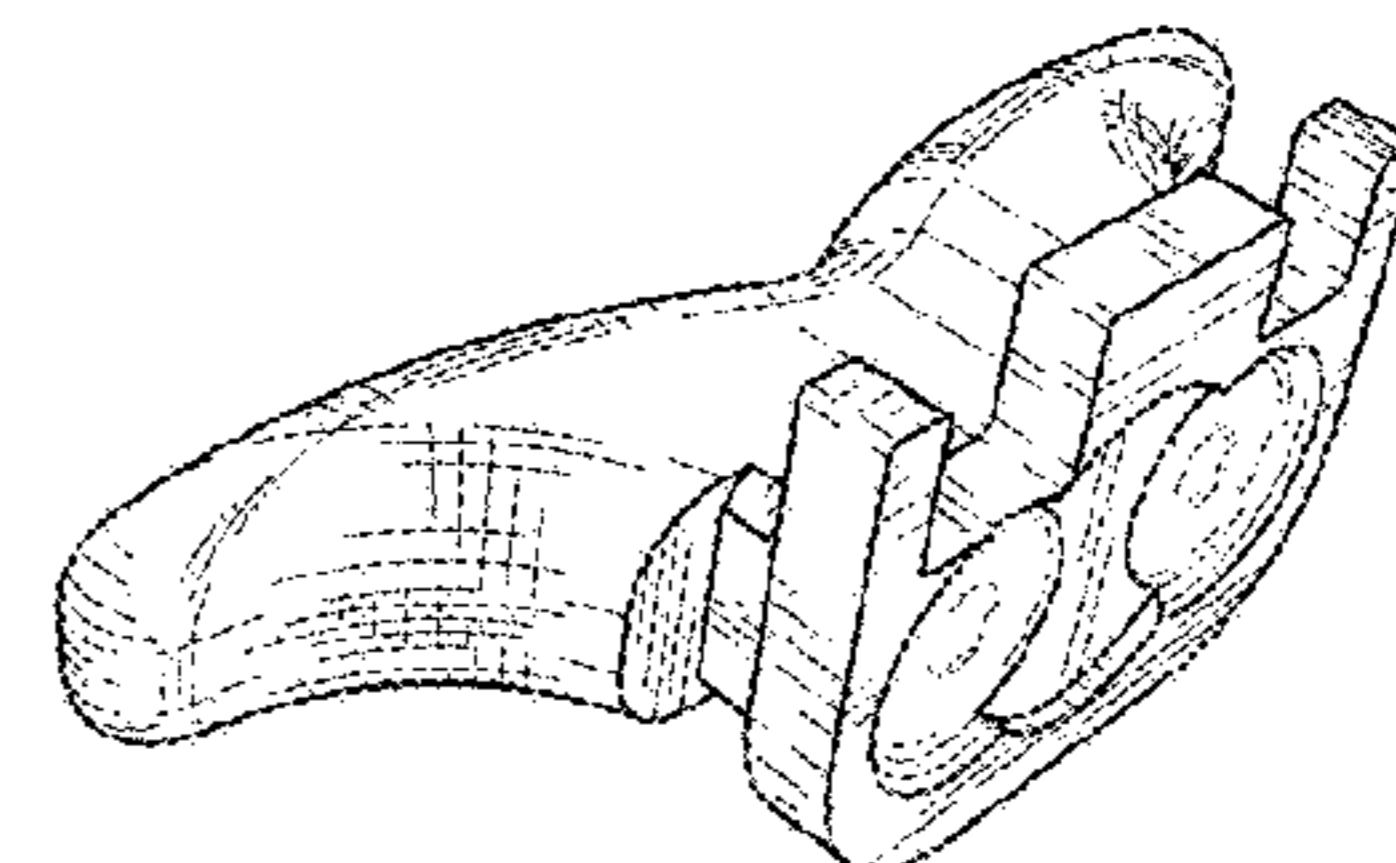
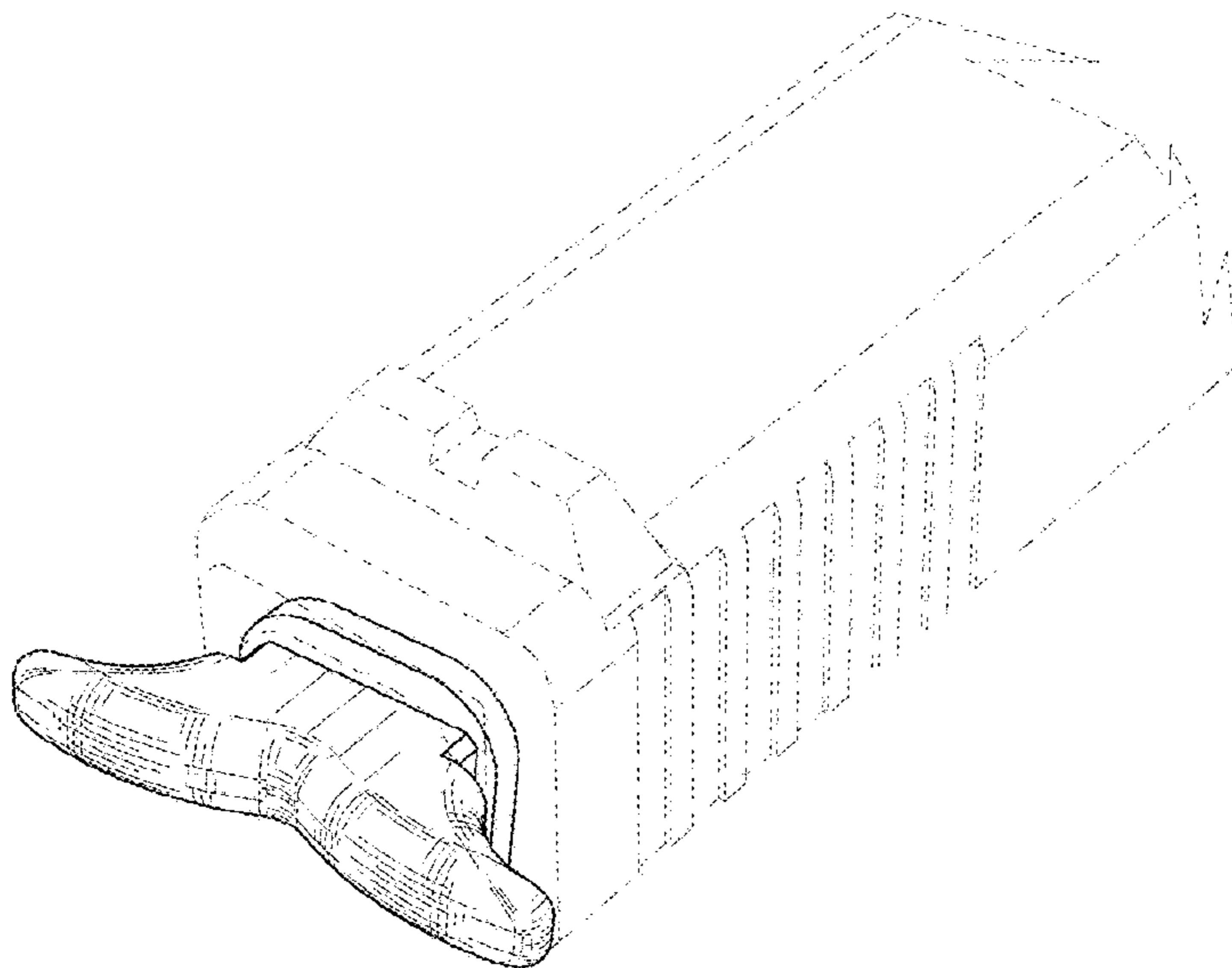
FIG. 7 shows the fourth side view of the first embodiment, the fourth side being opposite the third side.

FIG. 8 shows the fifth side view of the first embodiment; and,

FIG. 9 shows the sixth side view of the first embodiment, the sixth side being opposite the fifth side.

The slide of the firearm in FIG. 1 shown in broken lines depicts environment and forms no part of the claimed design.

**1 Claim, 9 Drawing Sheets**



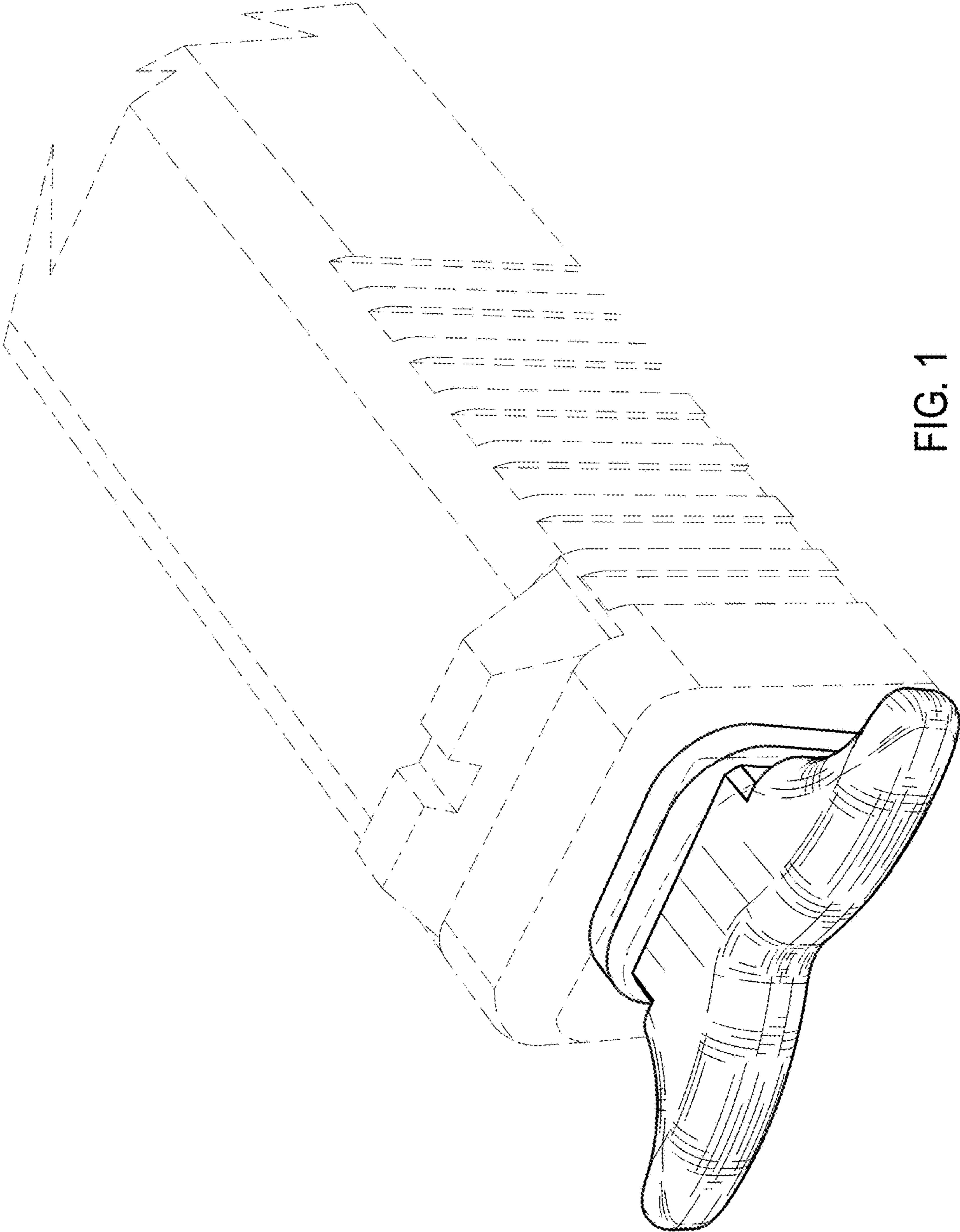


FIG. 1

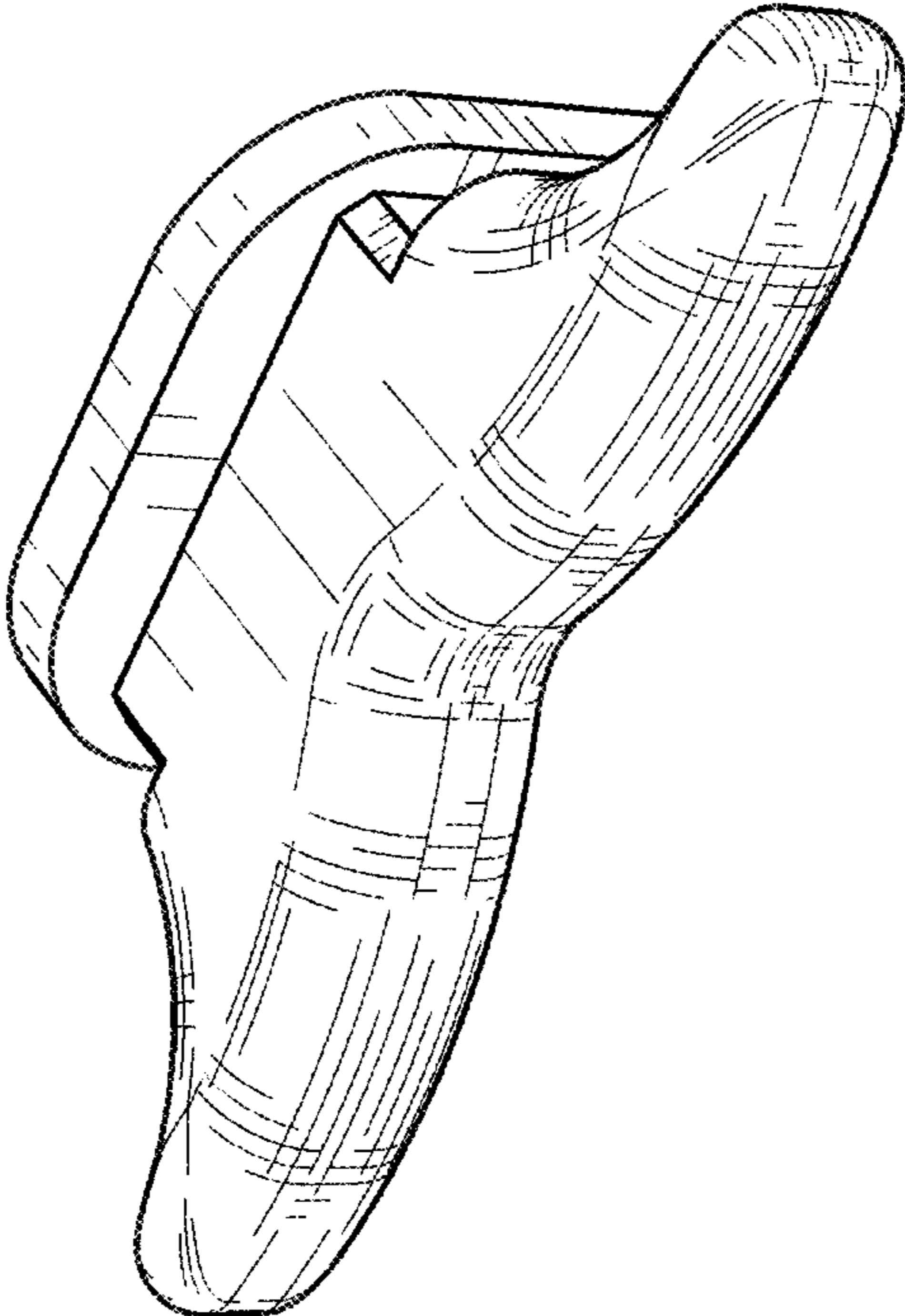


FIG. 2

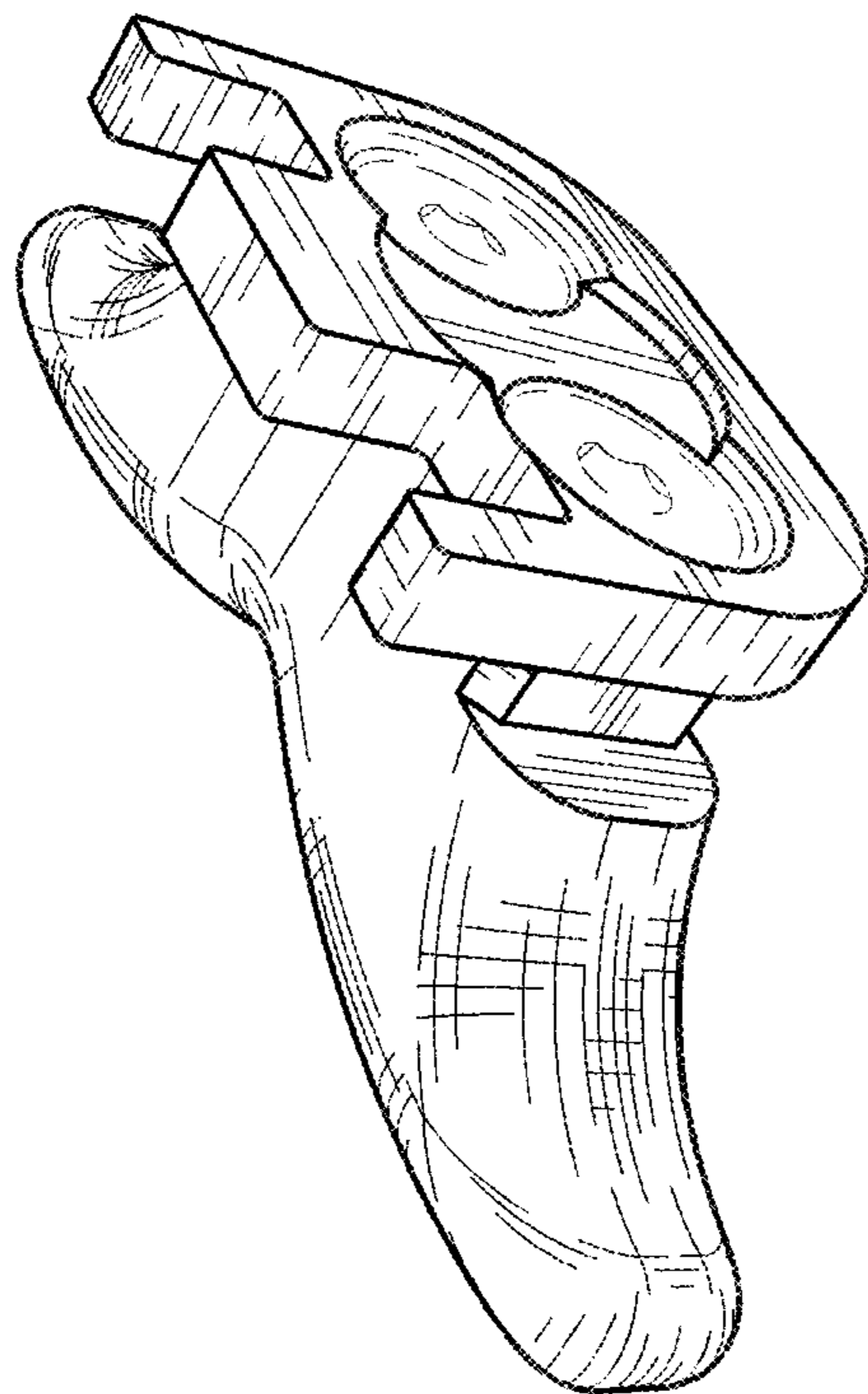


FIG. 3

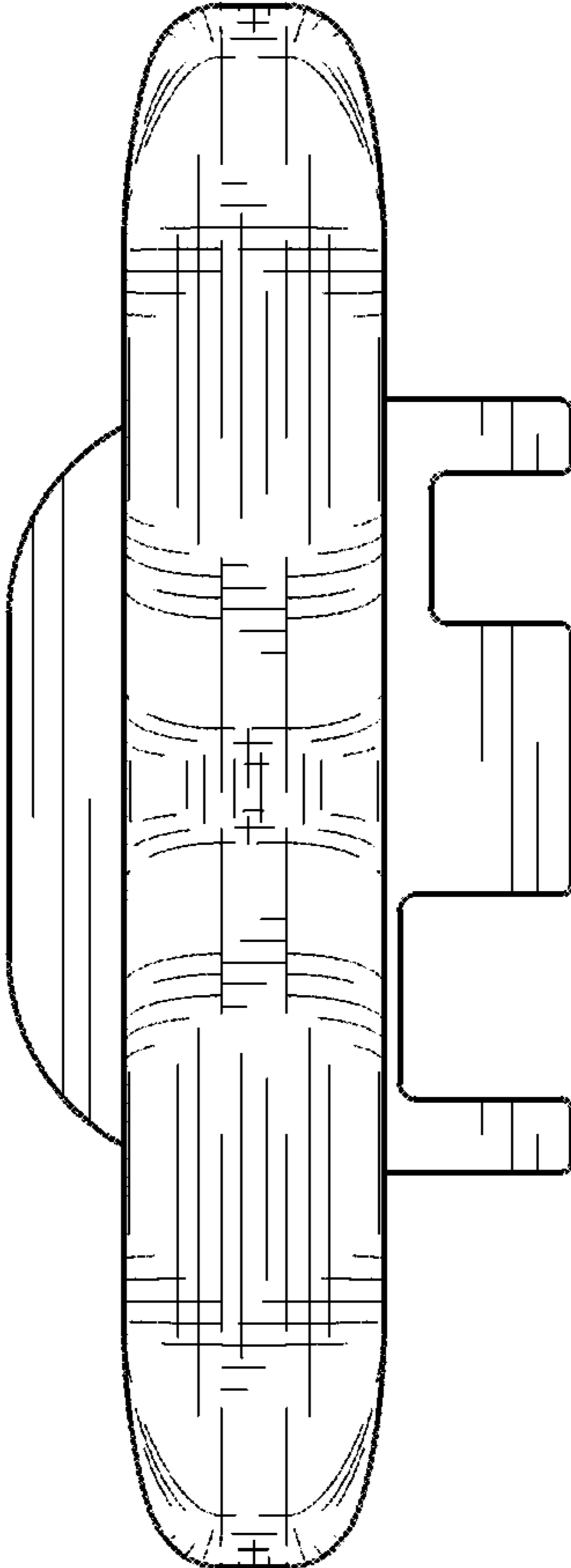


FIG. 4

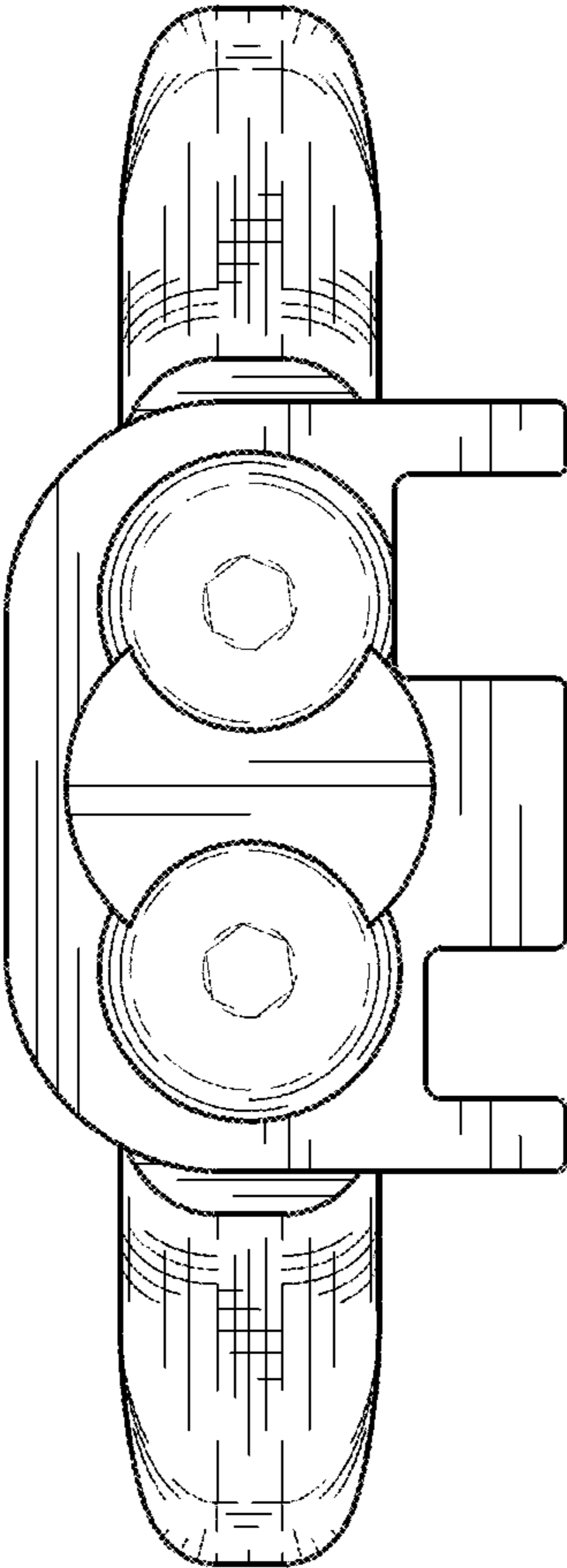


FIG. 5



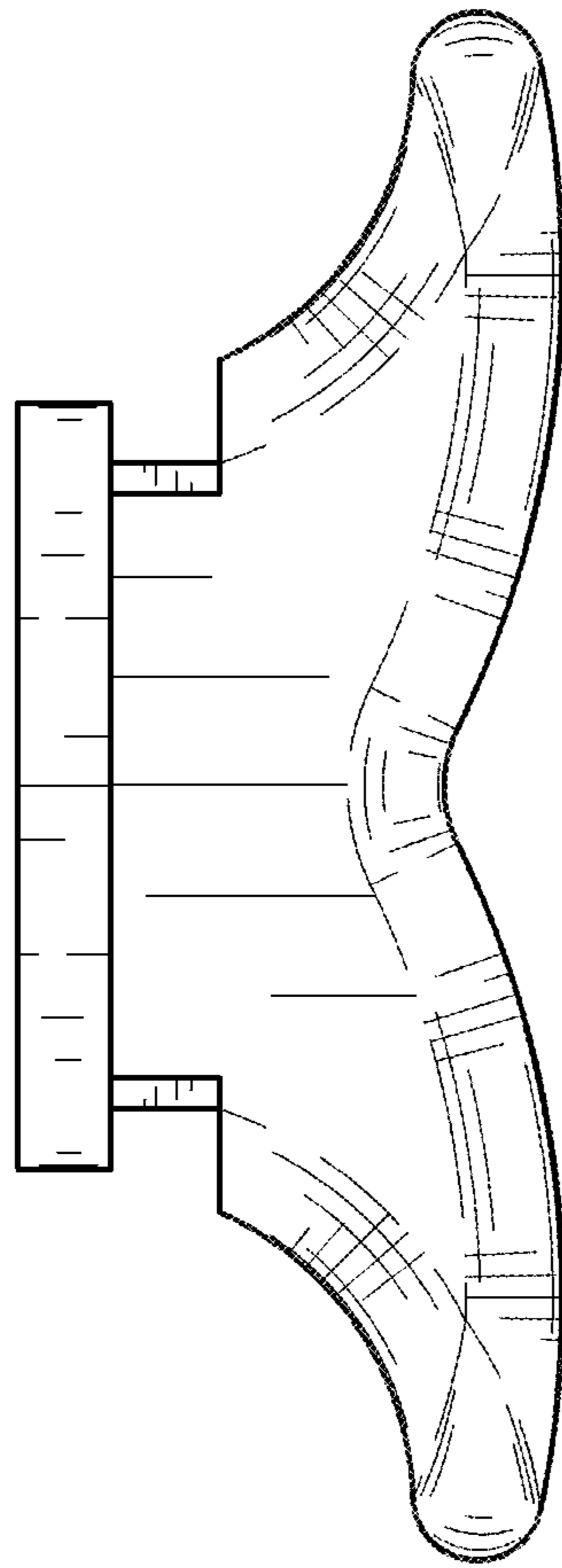


FIG. 6

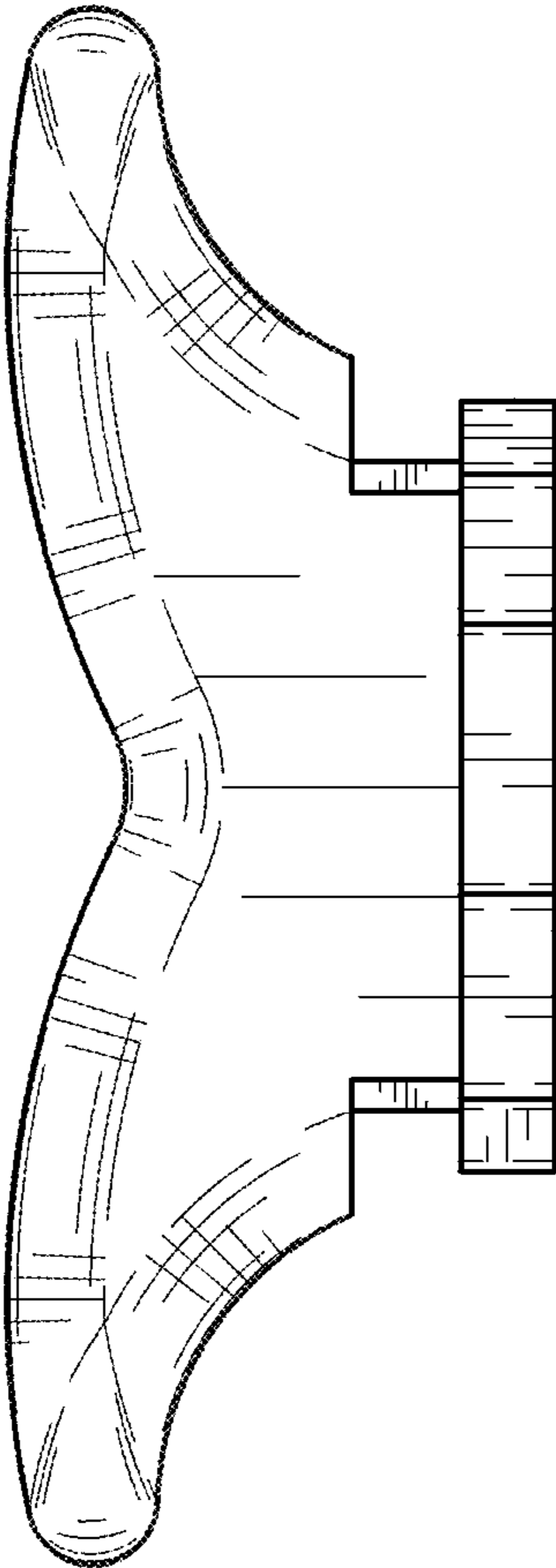


FIG. 7



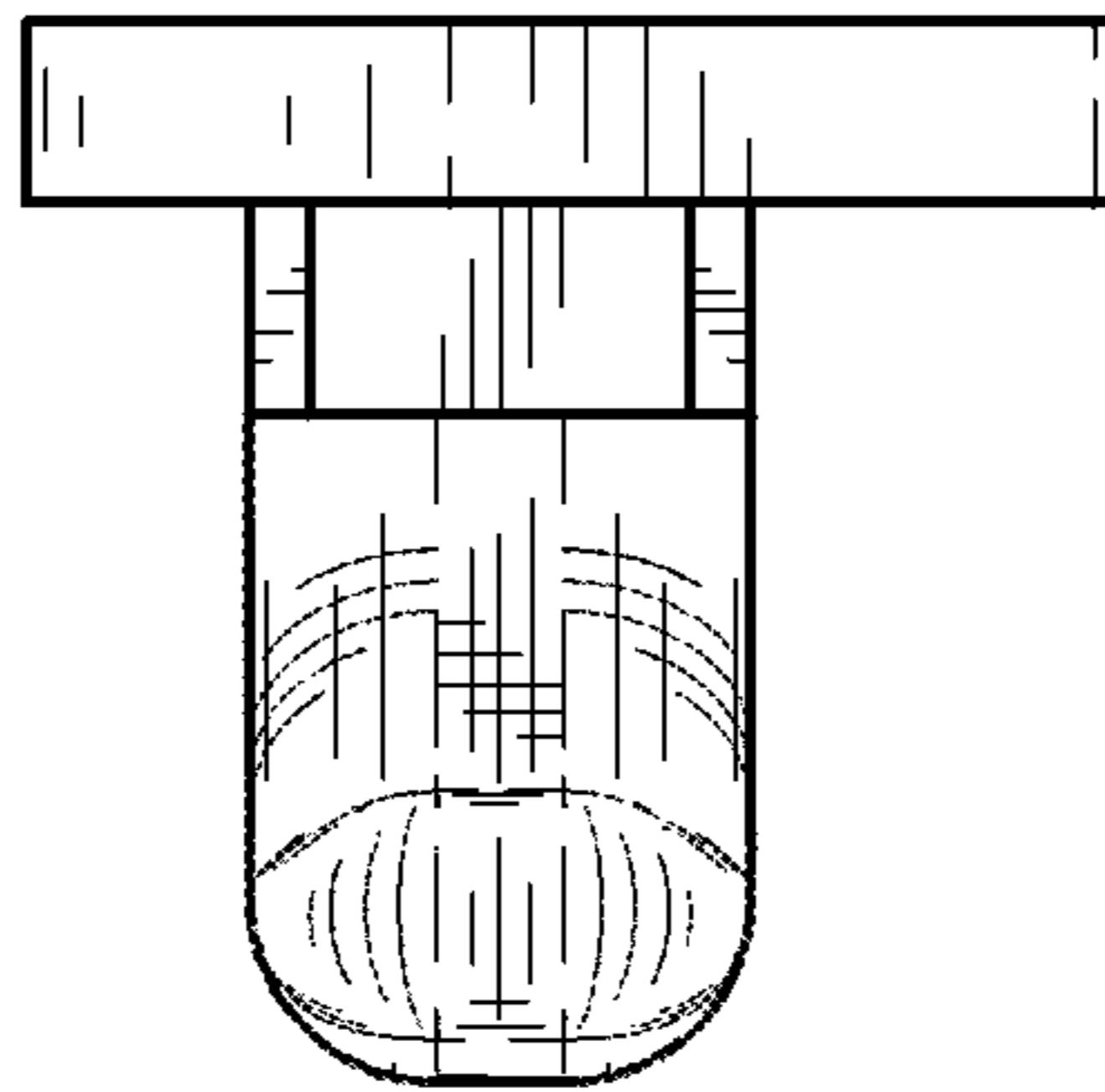


FIG. 8

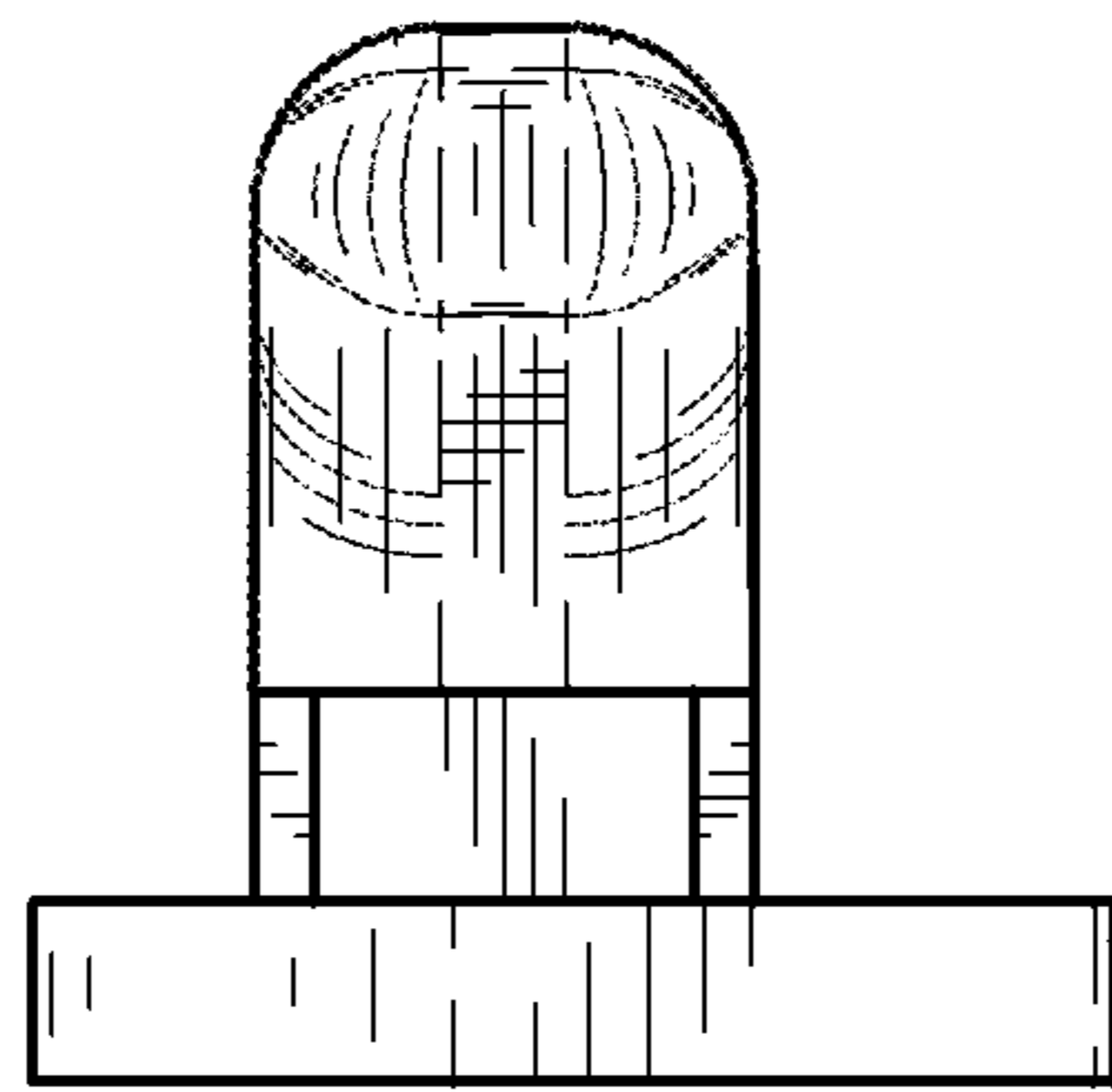


FIG. 9