



US00D790024S

(12) **United States Design Patent**  
**Pescovitz**

(10) **Patent No.:** **US D790,024 S**  
(45) **Date of Patent:** **\*\* Jun. 20, 2017**

(54) **PERSONAL ENCLOSURE**

(71) Applicant: **Under The Weather, LLC**, Cincinnati, OH (US)

(72) Inventor: **Eric Frank Pescovitz**, Cincinnati, OH (US)

(73) Assignee: **Under The Weather, LLC**, Cincinnati, OH (US)

(\*\*) Term: **15 Years**

(21) Appl. No.: **29/555,087**

(22) Filed: **Feb. 18, 2016**

(51) **LOC (10) Cl.** ..... **21-04**

(52) **U.S. Cl.**  
USPC ..... **D21/838**

(58) **Field of Classification Search**  
USPC ..... D21/834-838; D25/16; D32/36, 37;  
D3/305; 135/115, 123-126, 128,  
135/135-137, 143, 900, 902  
CPC ..... E04H 15/001; E04H 15/003; E04H 15/14;  
E04H 15/34; E04H 15/40; E04H 15/42;  
E04H 15/425; A63B 2210/54  
See application file for complete search history.

(56) **References Cited**

U.S. PATENT DOCUMENTS

D381,058 S *	7/1997	Lowenthal	.....	D21/838
D383,188 S *	9/1997	Bohart	.....	D21/838
D412,959 S *	8/1999	Cung	.....	D21/834
6,305,396 B1 *	10/2001	Zheng	.....	A63B 9/00
				135/115
6,453,923 B2 *	9/2002	Zheng	.....	A63B 9/00
				135/117
D514,747 S *	2/2006	Bertoli	.....	D30/108
7,040,333 B1 *	5/2006	Ransom	.....	E04H 15/32
				135/115
7,137,399 B1 *	11/2006	Ransom	.....	E04H 15/32
				135/121

D559,140 S *	1/2008	Hilton	.....	D10/113.4
D610,217 S *	2/2010	Krueger	.....	D21/836
D617,841 S *	6/2010	Jedlicka	.....	D10/113.4
D691,688 S *	10/2013	Pescovitz	.....	D21/838
D691,689 S *	10/2013	Pescovitz	.....	D21/838
D691,690 S *	10/2013	Pescovitz	.....	D21/838
D711,996 S *	8/2014	Pescovitz	.....	D21/834
D711,997 S *	8/2014	Pescovitz	.....	D21/834
D711,998 S *	8/2014	Pescovitz	.....	D21/834
D725,735 S *	3/2015	Pescovitz	.....	D21/838
2005/0081903 A1 *	4/2005	Wang	.....	E04H 15/40
				135/126
2007/0107286 A1 *	5/2007	Jedlicka	.....	E04H 15/40
				40/610
2009/0025265 A1 *	1/2009	Jedlicka	.....	G09F 19/22
				40/610

\* cited by examiner

*Primary Examiner* — Cynthia M Chin

(74) *Attorney, Agent, or Firm* — Benesch, Friedlander, Coplan & Aronoff LLP

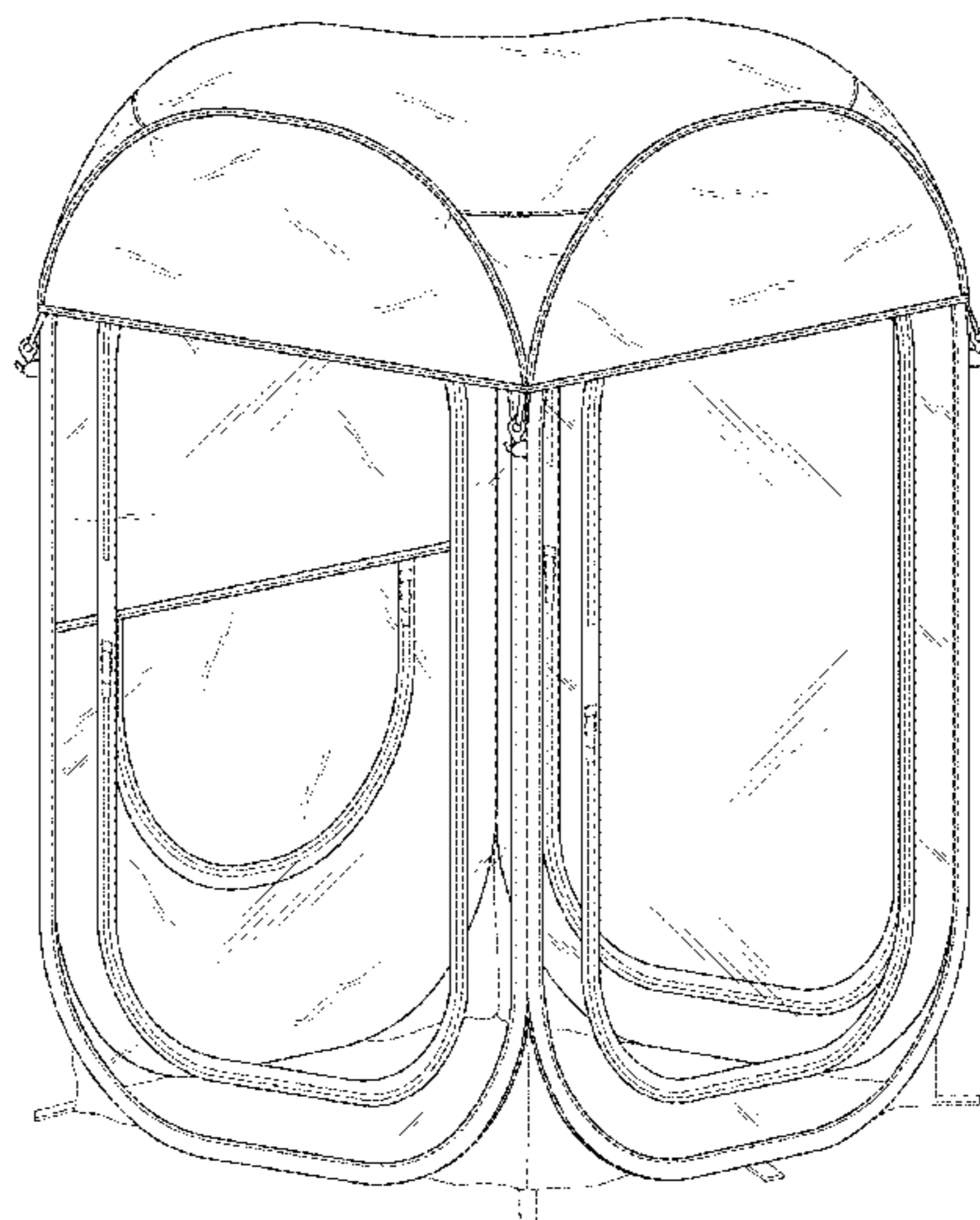
(57) **CLAIM**

The ornamental design for a personal enclosure, as shown and described.

**DESCRIPTION**

FIG. 1 is a perspective view of a personal enclosure;  
FIG. 2 is a front view thereof;  
FIG. 3 is a rear view thereof;  
FIG. 4 is a left side view thereof;  
FIG. 5 is a right side view thereof;  
FIG. 6 is a top view thereof; and,  
FIG. 7 is a bottom view thereof.  
The broken lines shown within the claimed panels and cover of the personal enclosure represent stitching, which forms a part of the claim. The zipper pulls and all other broken lines represent the environment in which the article resides and form no part of the claimed design.

**1 Claim, 6 Drawing Sheets**



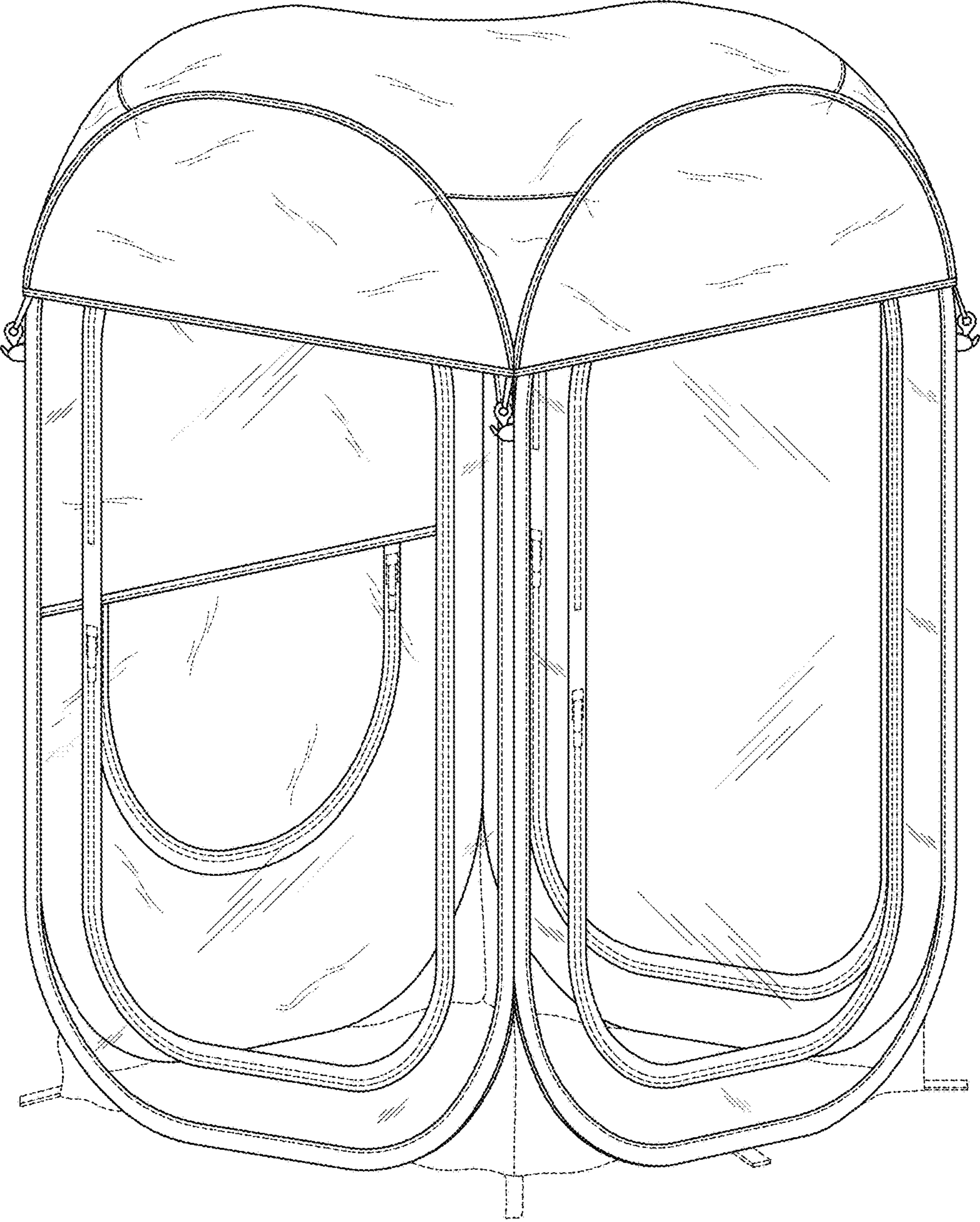


Fig. 1

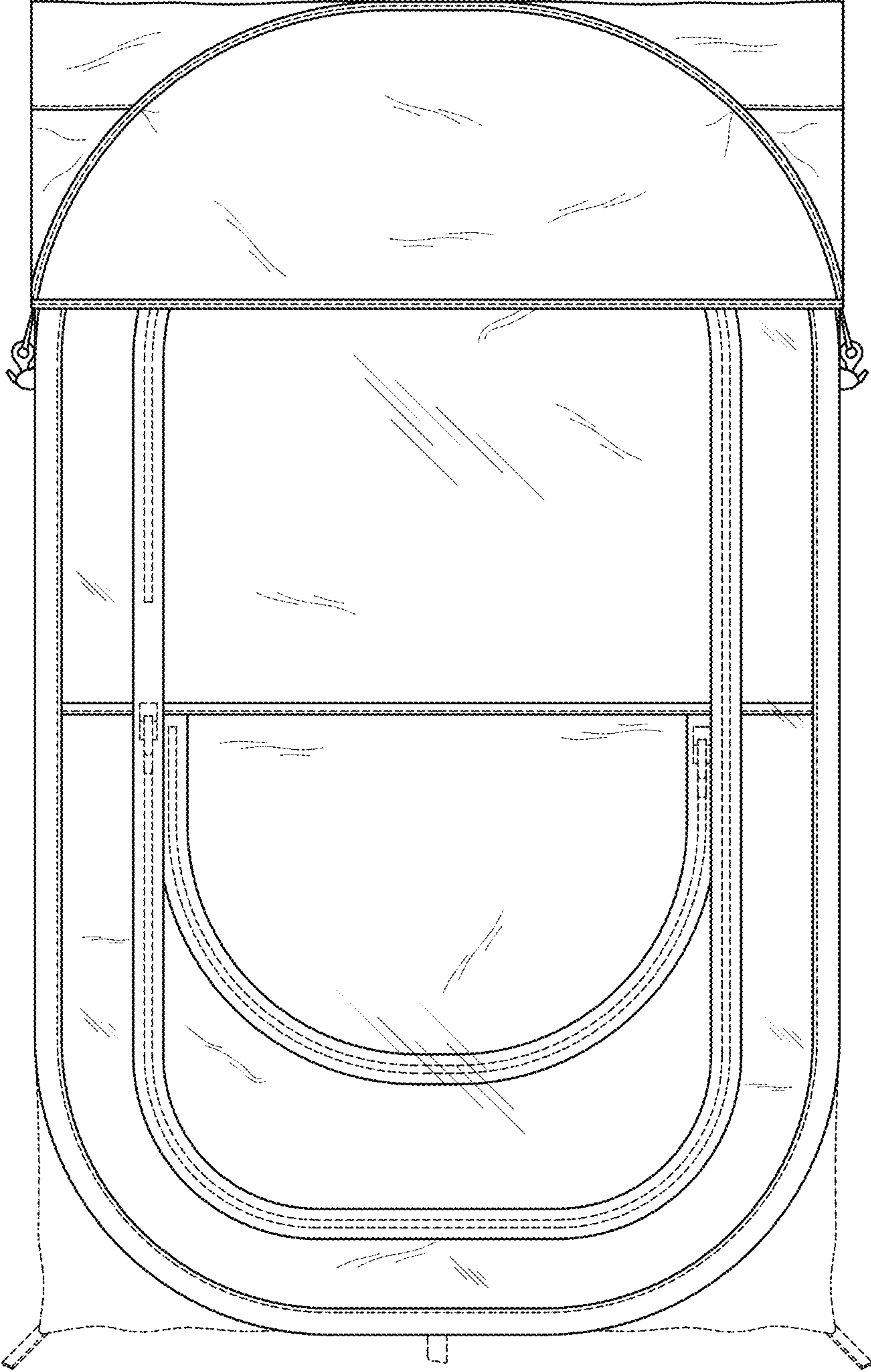


Fig. 2

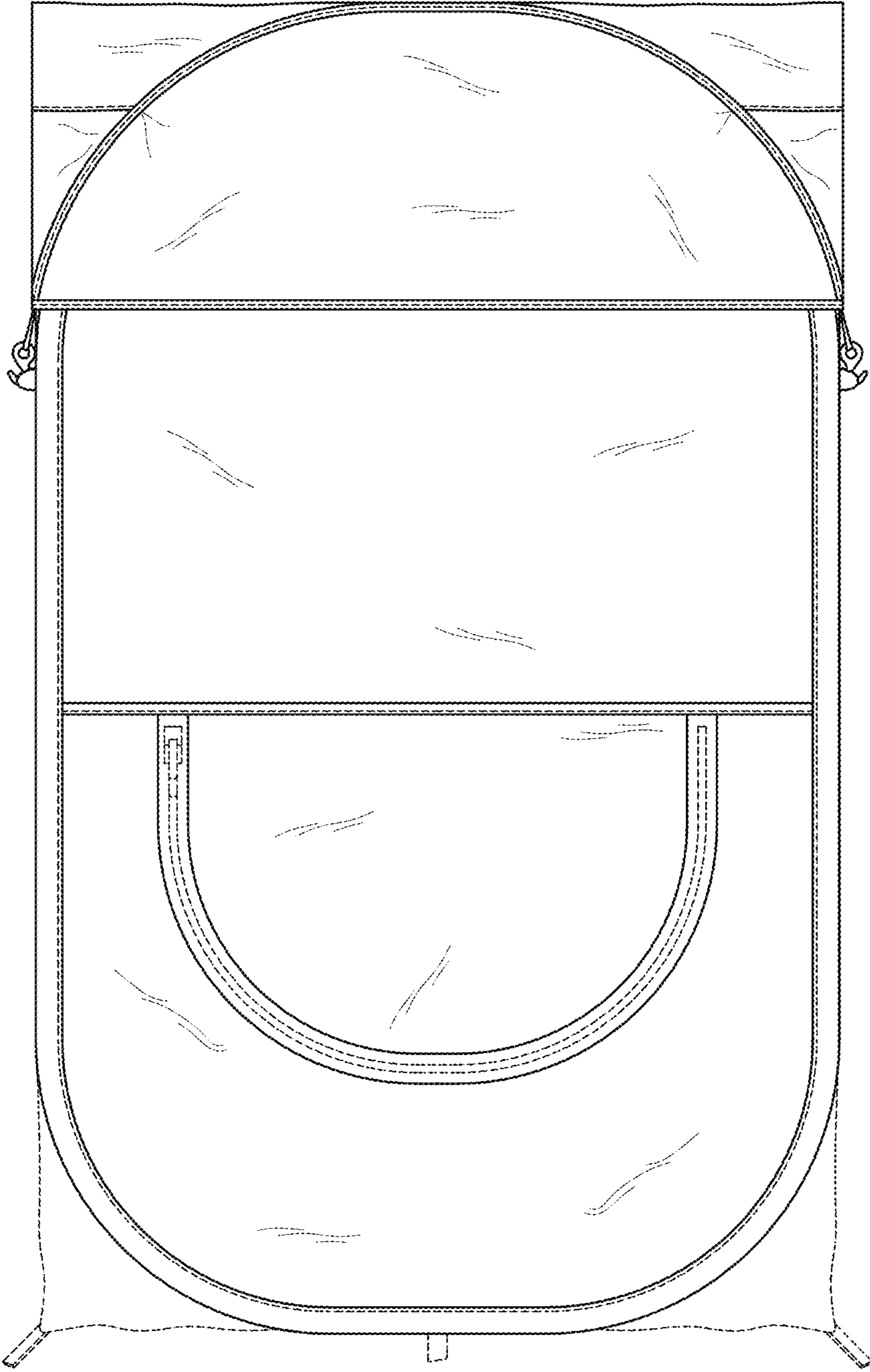


Fig. 3

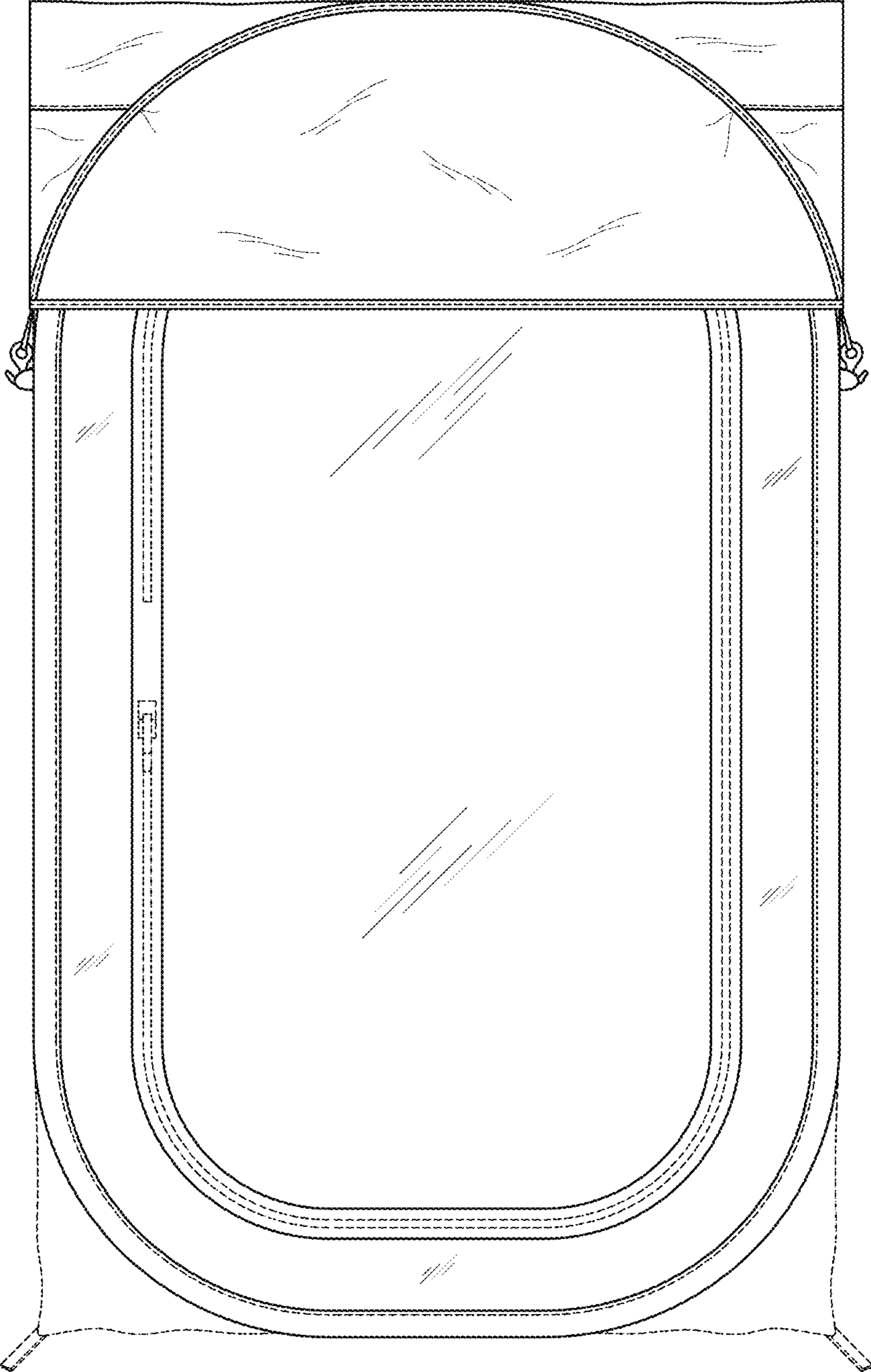


Fig. 4

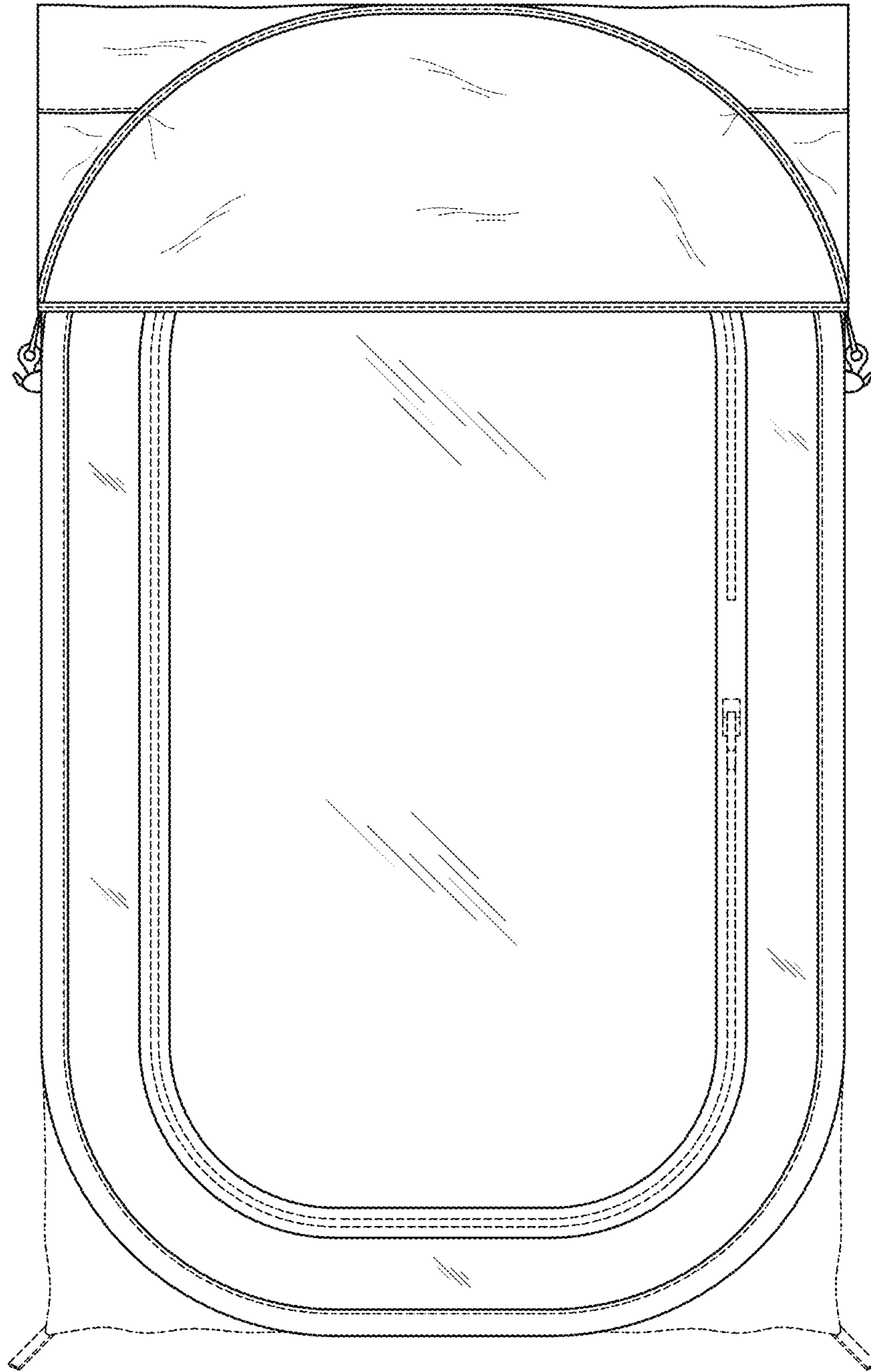


Fig. 5

Fig. 6

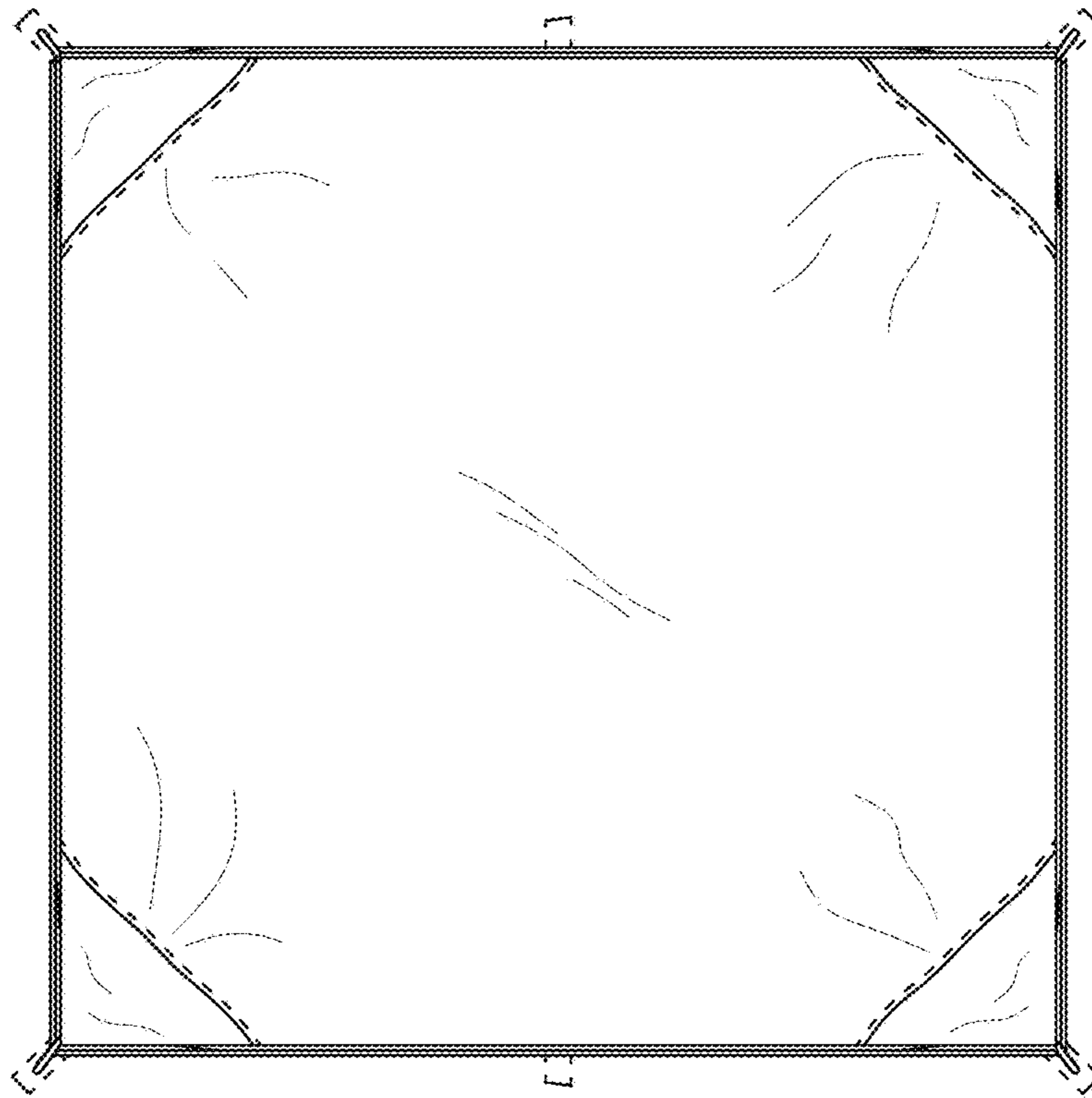


Fig. 7

