

US00D790020S

(12) **United States Design Patent**
Hubbard

(10) **Patent No.:** **US D790,020 S**
(45) **Date of Patent:** **** Jun. 20, 2017**

(54) BALL MARK REPAIR TOOL	5,085,431 A *	2/1992	McGuire	A63B 57/10 473/386
(71) Applicant: Lloyd E. Hubbard , Port Townsend, WA (US)	5,133,269 A *	7/1992	Charneski	A01C 5/02 111/116
(72) Inventor: Lloyd E. Hubbard , Port Townsend, WA (US)	D352,758 S	11/1994	Tate	
(**) Term: 15 Years	5,441,118 A *	8/1995	Cruz, Jr.	A01B 1/16 172/378
(21) Appl. No.: 29/558,558	D368,943 S *	4/1996	Johnson	D21/793
(22) Filed: Mar. 18, 2016	6,997,824 B2	2/2006	Cranman	
	7,140,983 B2 *	11/2006	Pietsch	A63B 57/50 473/408
	7,686,710 B2	3/2010	Leiber et al.	
	D669,952 S	10/2012	Zwart	
	2010/0248865 A1	9/2010	Otsubo	
	2012/0115630 A1	5/2012	Hughes, Sr.	

* cited by examiner

Related U.S. Application Data

(63) Continuation of application No. 14/531,345, filed on
Nov. 3, 2014, now abandoned.

(51) **LOC (10) Cl.** **21-02**

(52) **U.S. Cl.**
USPC **D21/793**

(58) **Field of Classification Search**
USPC D21/789, 793; D8/42
CPC .. A01B 1/16; A01C 5/02; A63B 57/50; A63B
57/30; A63B 57/0037; A63B 57/35; A63B
57/353
See application file for complete search history.

(56) **References Cited**

U.S. PATENT DOCUMENTS

2,577,333 A *	12/1951	Klum	A63B 55/10 211/70.2
D247,279 S *	2/1978	Marceca	D8/42
4,960,278 A	10/1990	Hailey	

Primary Examiner — Mitchell Siegel

(74) *Attorney, Agent, or Firm* — Robert C Montgomery;
Montgomery Patent and Design, LP.

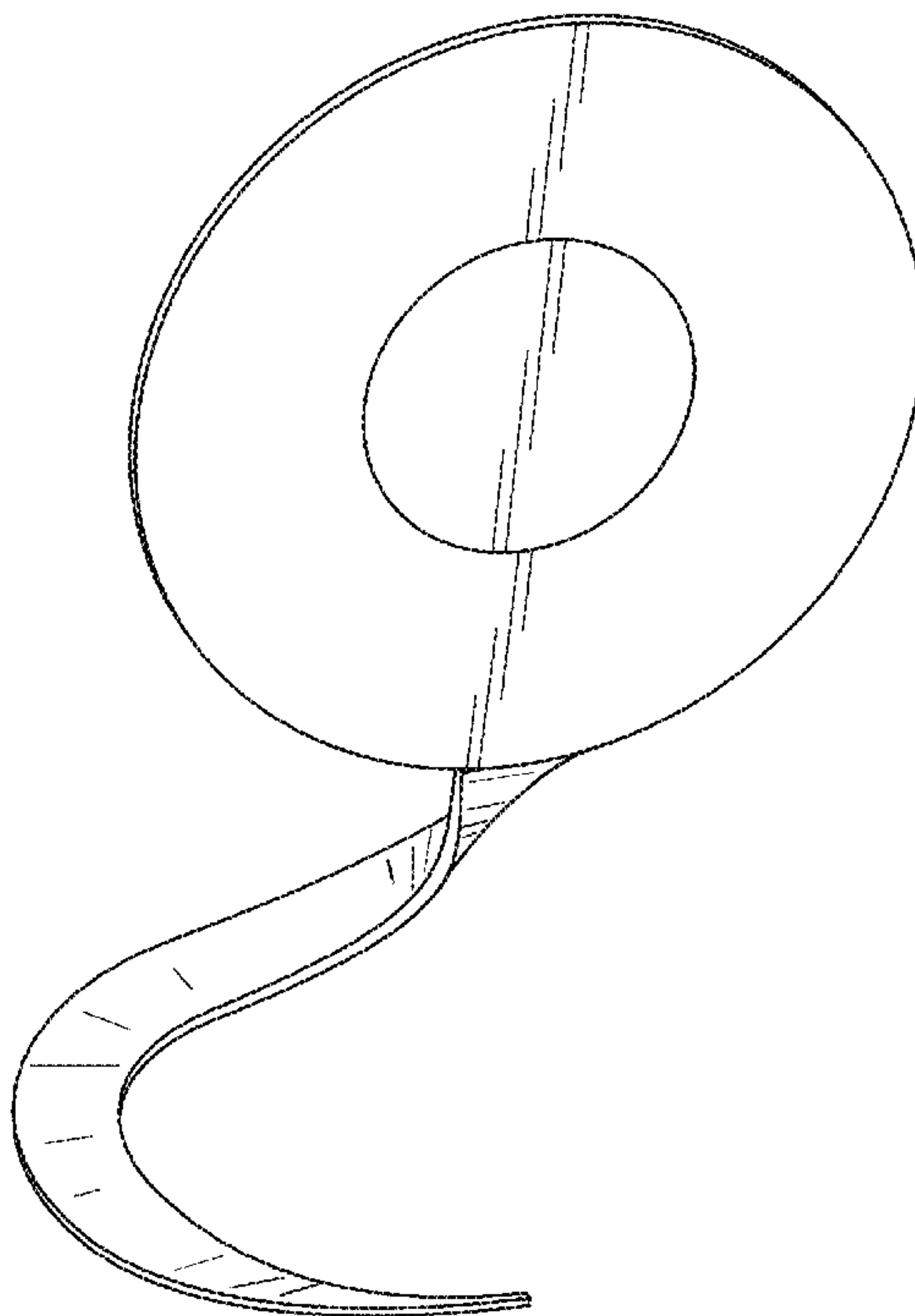
(57) **CLAIM**

The ornamental design for a ball mark repair tool, as shown
and described.

DESCRIPTION

FIG. 1 is a front side perspective view of a ball mark repair
tool, showing my new design;
FIG. 2 is a front side elevation view thereof;
FIG. 3 is a back side elevation view thereof;
FIG. 4 is a left side elevation view thereof;
FIG. 5 is a right side elevation view thereof;
FIG. 6 is a top side plan view thereof; and,
FIG. 7 is a bottom side plan view thereof.

1 Claim, 7 Drawing Sheets



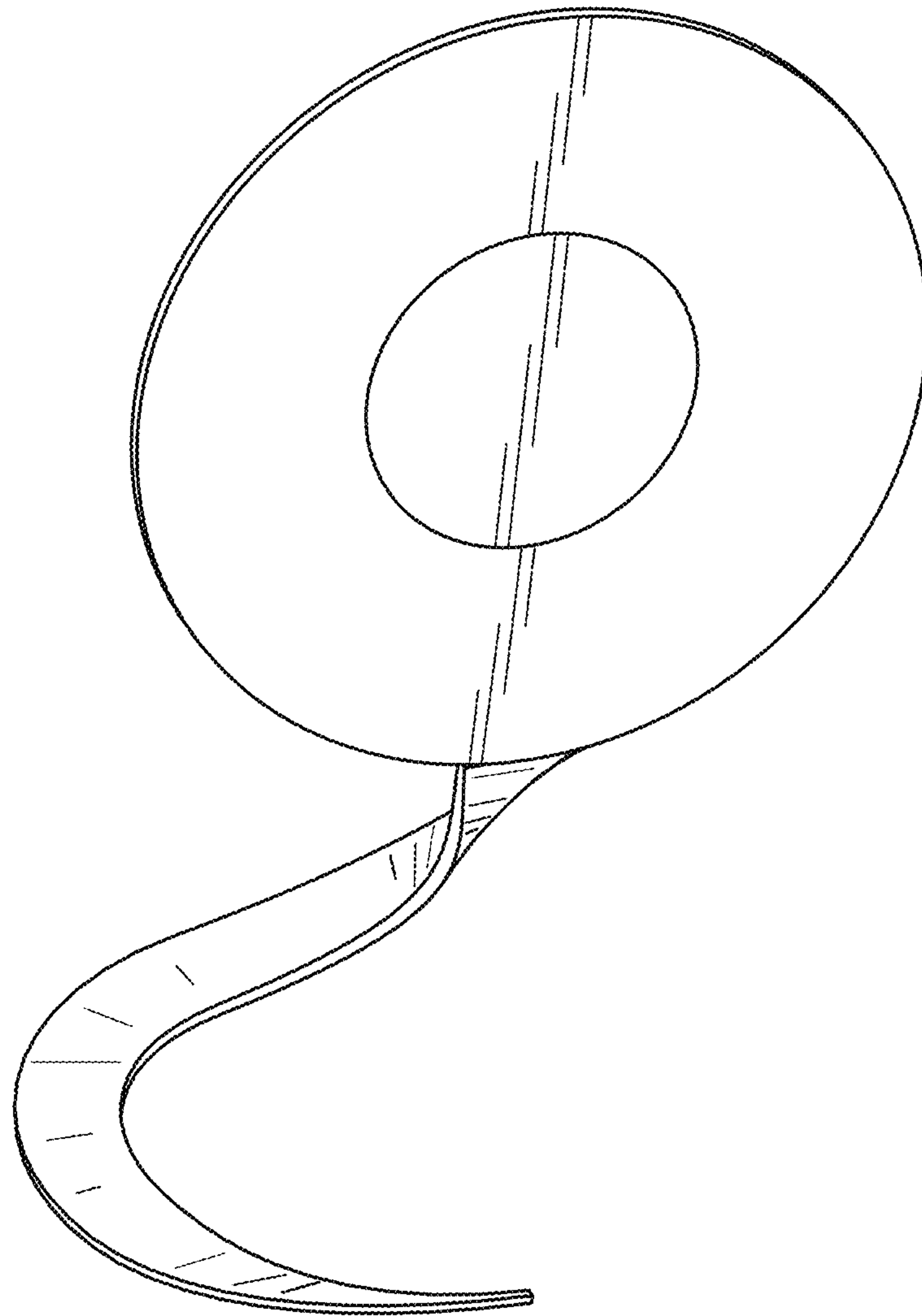


FIG. 1

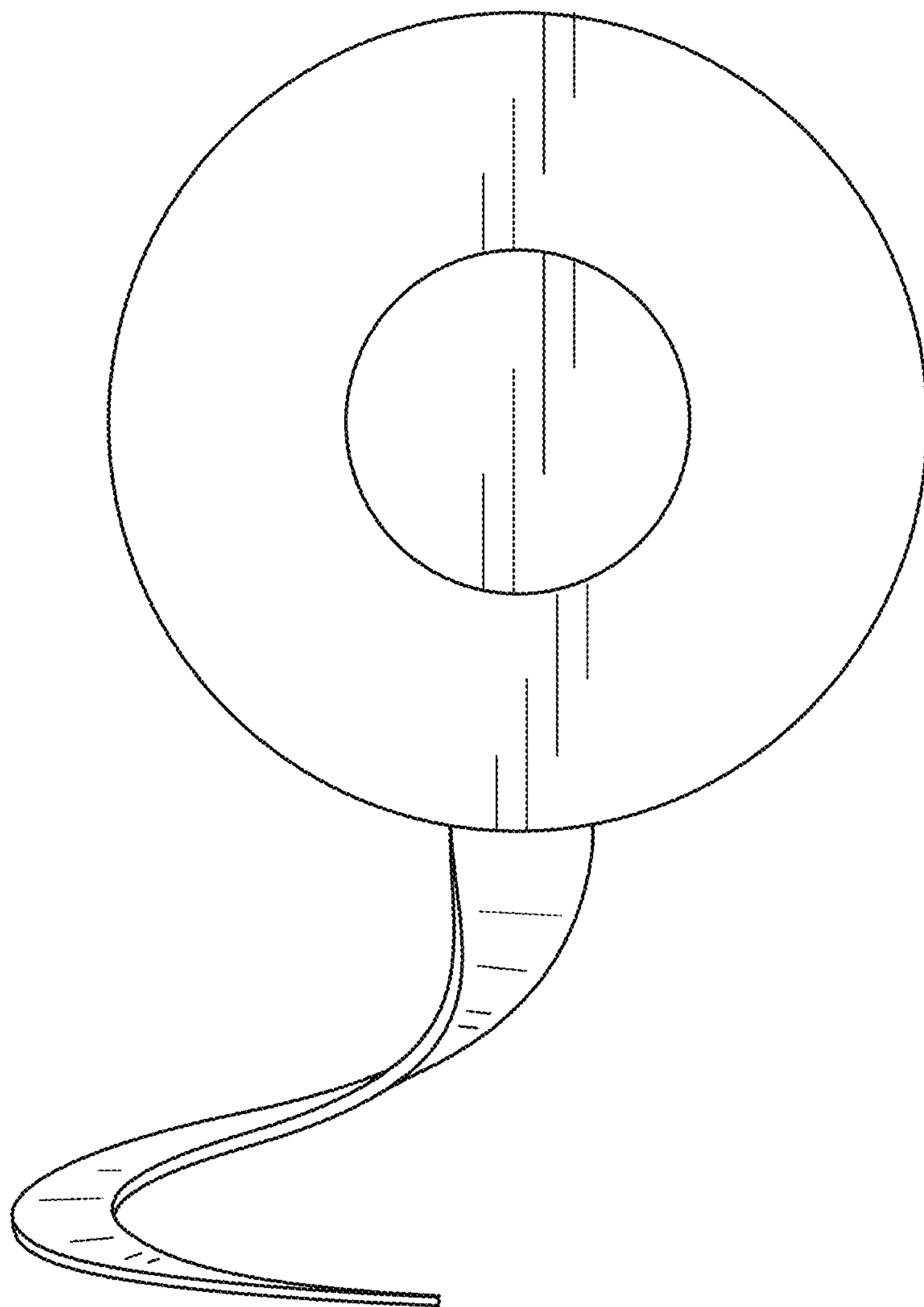


FIG. 2

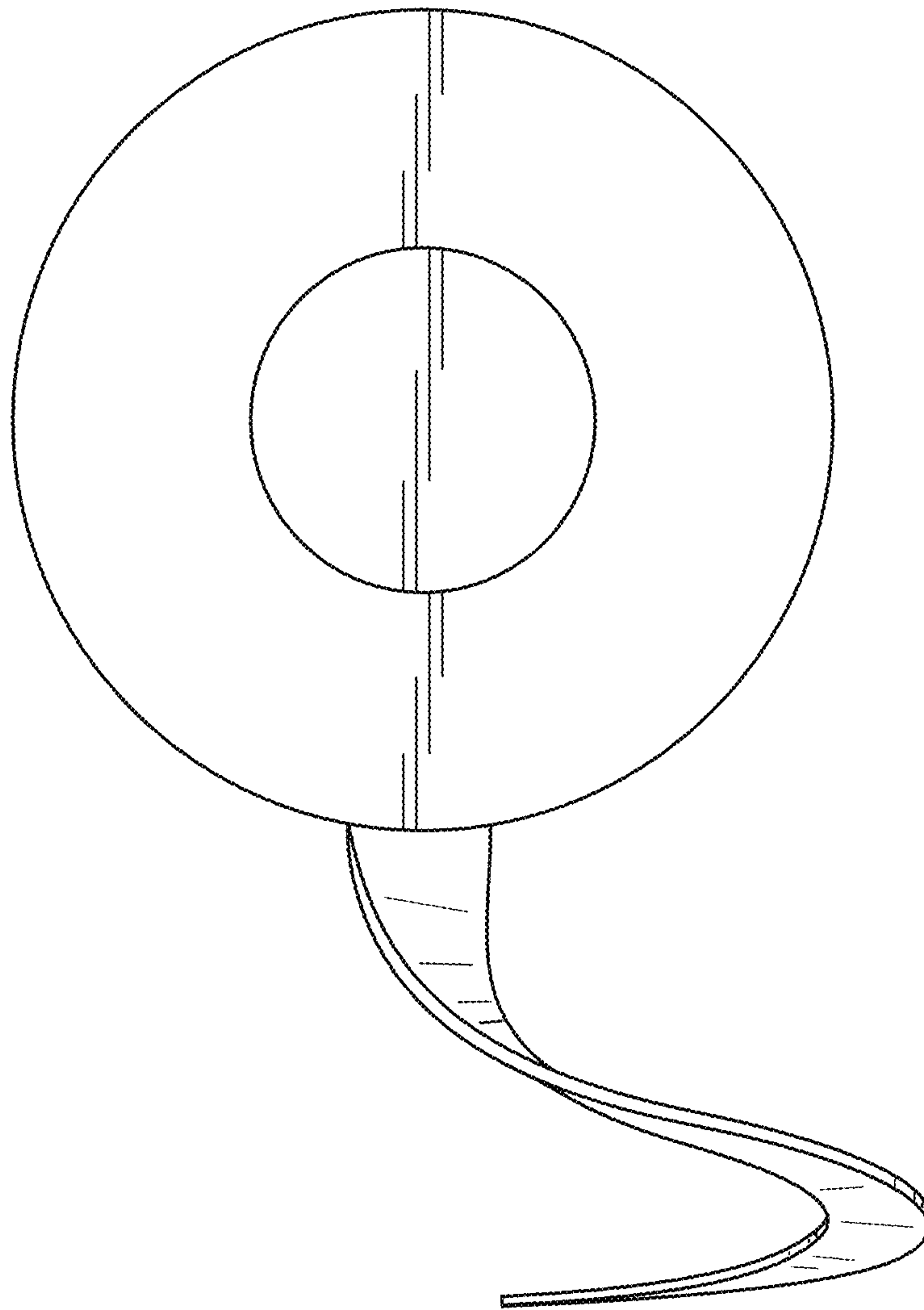


FIG. 3

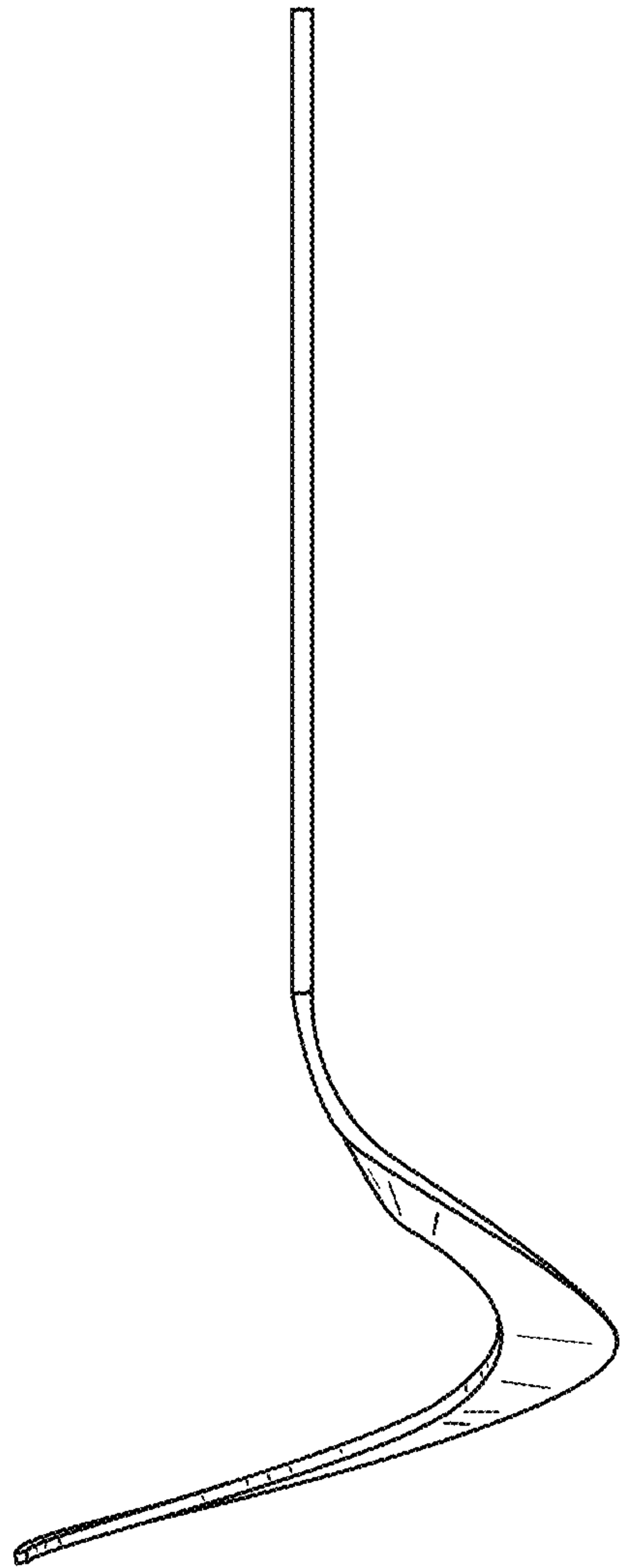


FIG. 4

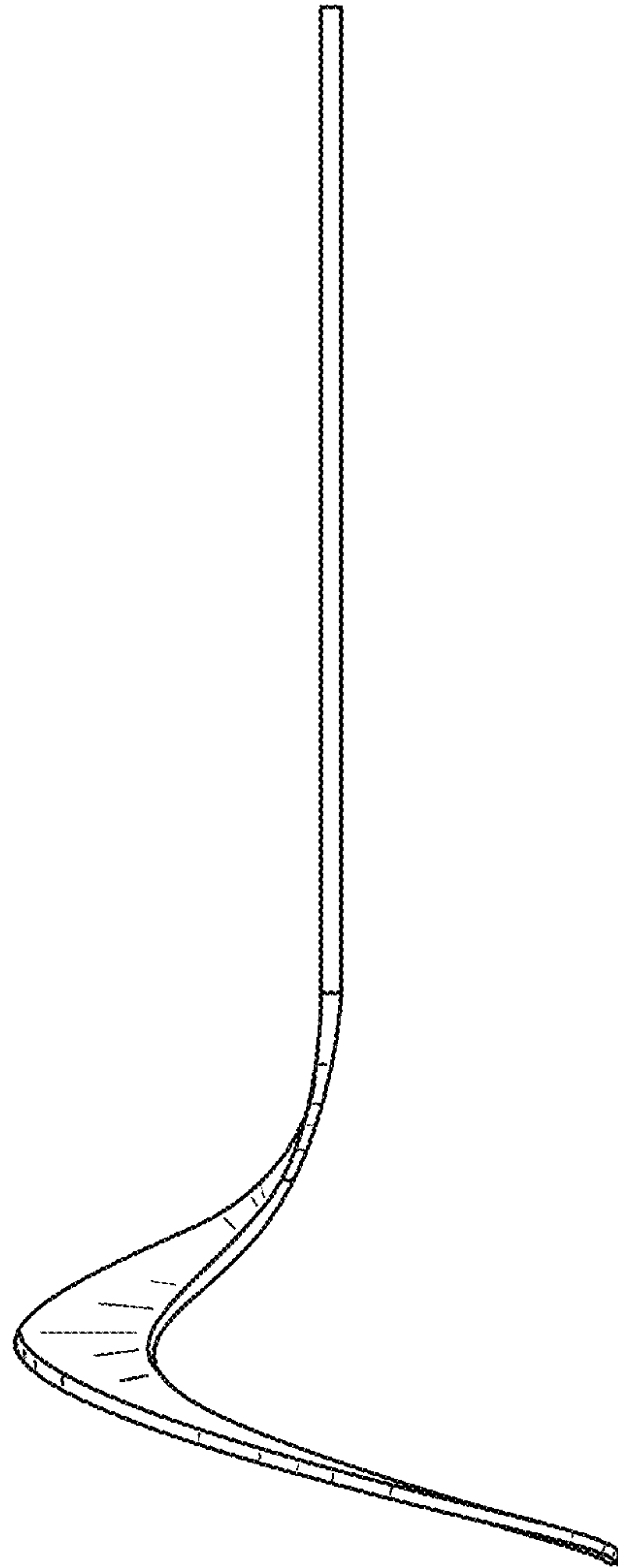


FIG. 5

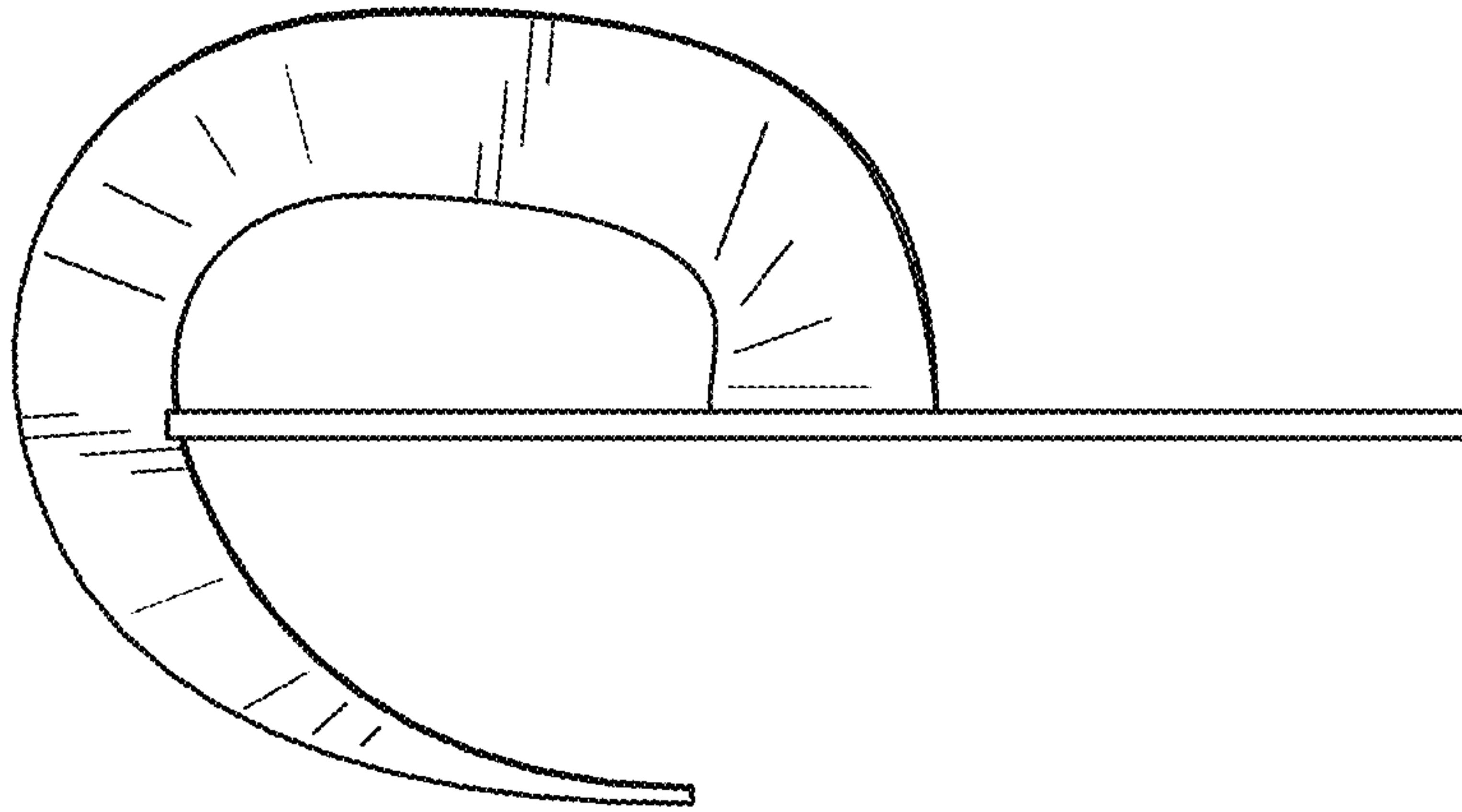


FIG. 6

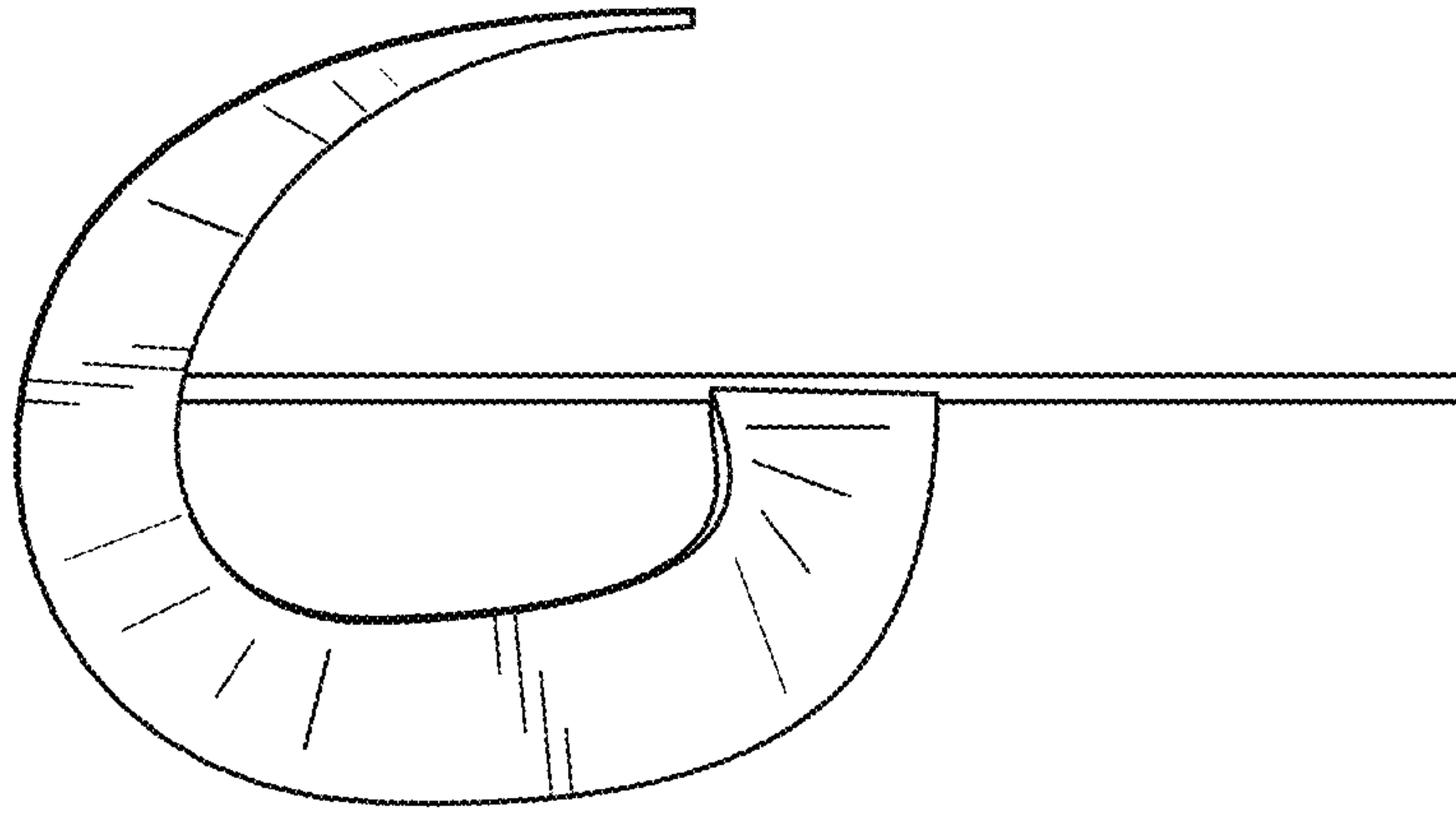


FIG. 7