



US00D790019S

(12) **United States Design Patent** (10) **Patent No.:** **US D790,019 S**
Jimenez (45) **Date of Patent:** **** Jun. 20, 2017**

(54) **GOLF DIVOT TOOL**
(71) Applicant: **Joel Jimenez**, Enfield, CT (US)
(72) Inventor: **Joel Jimenez**, Enfield, CT (US)
(**) Term: **15 Years**
(21) Appl. No.: **29/549,875**
(22) Filed: **Dec. 29, 2015**
(51) **LOC (10) Cl.** **21-02**
(52) **U.S. Cl.**
USPC **D21/793**
(58) **Field of Classification Search**
USPC D21/789, 793; D8/89
CPC A63B 57/50
See application file for complete search history.

7,654,920 B2 2/2010 Perry
8,231,483 B2 7/2012 Gill
8,241,151 B2 8/2012 Light
8,348,787 B2 1/2013 Halsey et al.
D681,761 S * 5/2013 Nguyen D21/793
D698,884 S * 2/2014 Otsubo D21/793
2003/0148830 A1 8/2003 Hsiao
2004/0142773 A1 7/2004 Kennedy
2006/0063614 A1 3/2006 Bellagamba
2008/0153631 A1 6/2008 Mazetta
2013/0217518 A1 8/2013 Miller

FOREIGN PATENT DOCUMENTS

DE 202013008403 1/2014
WO 2005081648 9/2005
WO 2011021049 2/2011

* cited by examiner

Primary Examiner — Mitchell Siegel

(74) *Attorney, Agent, or Firm* — Gary E. Lambert; David J. Connaughton, Jr.; Lambert & Associates

(56) **References Cited**

U.S. PATENT DOCUMENTS

D190,333 S * 5/1961 Gunderson D21/795
D197,205 S * 12/1963 Estwing D8/89
D272,461 S * 1/1984 Burns D21/793
5,295,683 A 3/1994 Tate
5,529,299 A 6/1996 Bellagamba
D385,323 S * 10/1997 Horton D21/793
D397,503 S * 8/1998 Lalli D21/794
6,033,322 A 3/2000 England
D431,625 S * 10/2000 Gribovsky D21/793
D436,152 S * 1/2001 Sanford, III D21/793
D463,522 S * 9/2002 Goessling, Jr. D21/793
6,620,062 B2 9/2003 Taylor et al.
6,994,639 B2 2/2006 Parks et al.
7,140,983 B2 11/2006 Pietsch
D580,002 S * 11/2008 Littmann D21/793
7,494,431 B2 2/2009 Wang
D594,922 S * 6/2009 McLane D21/793
D605,720 S * 12/2009 McLane D21/793

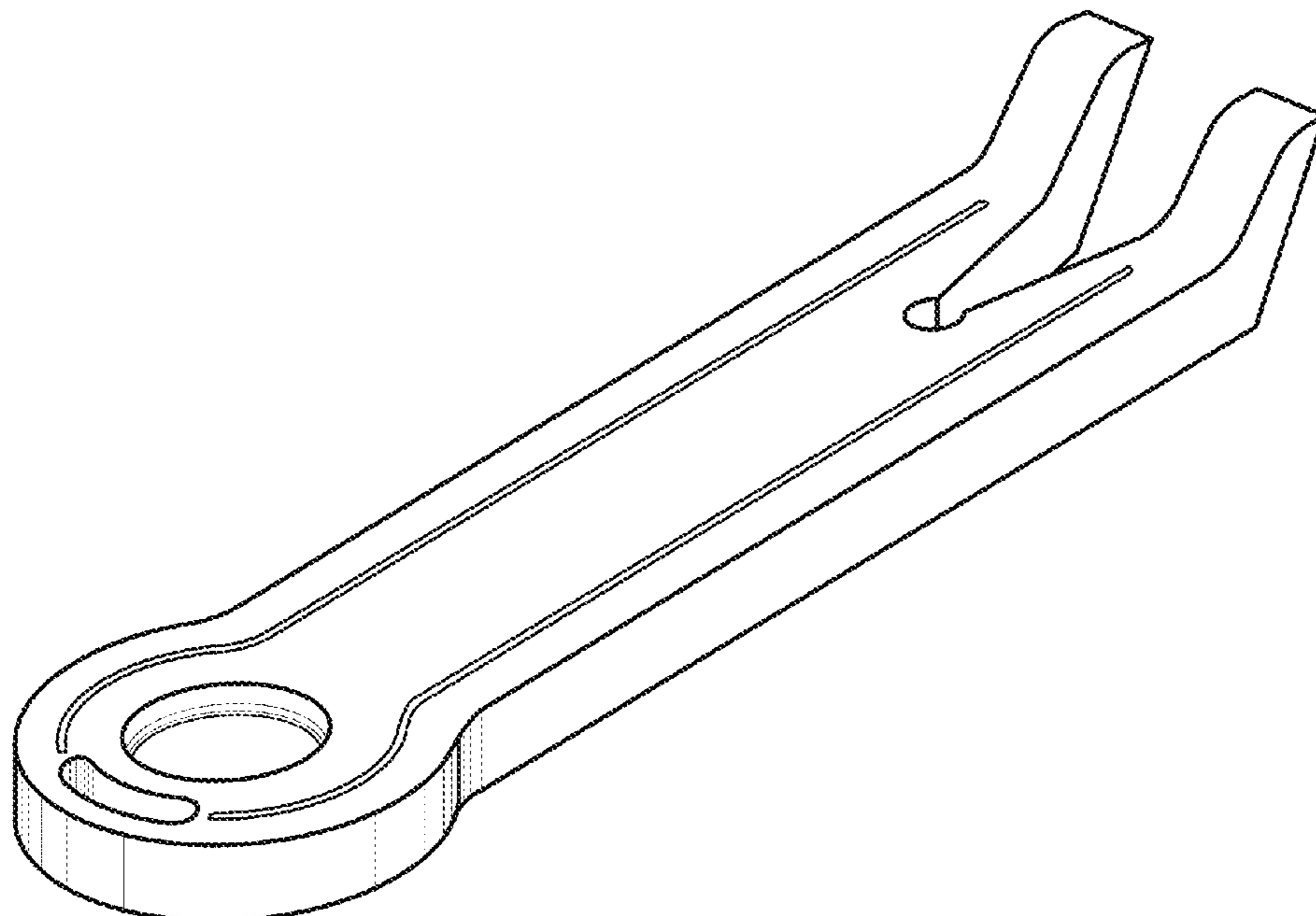
(57) **CLAIM**

The ornamental design for a golf divot tool, as shown and described.

DESCRIPTION

FIG. 1 is a top isometric view of the golf divot tool, which embodies my design;
FIG. 2 is a bottom isometric view of the golf divot tool;
FIG. 3 is a top plane view of the golf divot tool;
FIG. 4 is a bottom plane view of the golf divot tool;
FIG. 5 is a left side view of the golf divot tool;
FIG. 6 is a front side view of the golf divot tool; and,
FIG. 7 is a back side view of the golf divot tool.

1 Claim, 3 Drawing Sheets



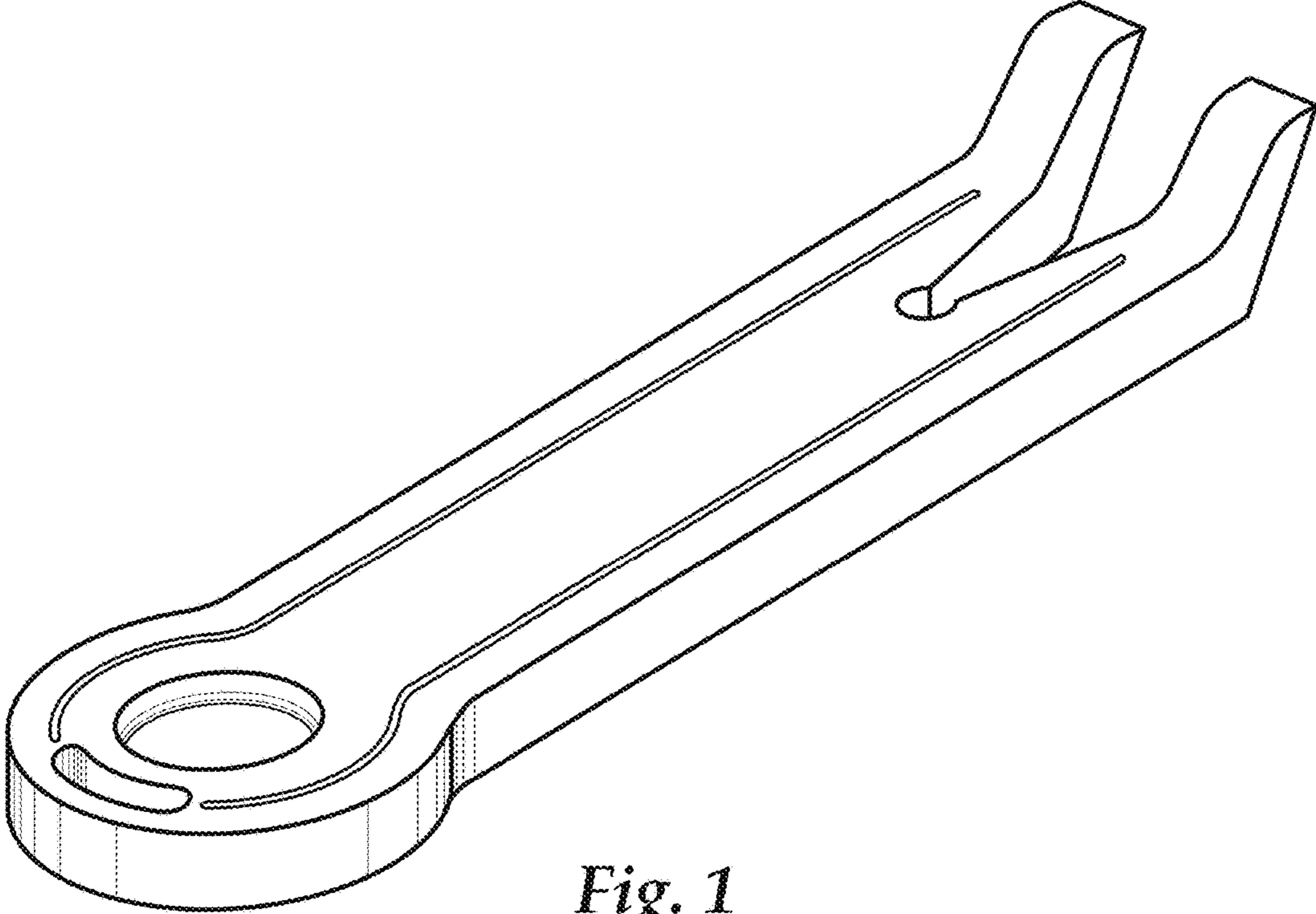


Fig. 1

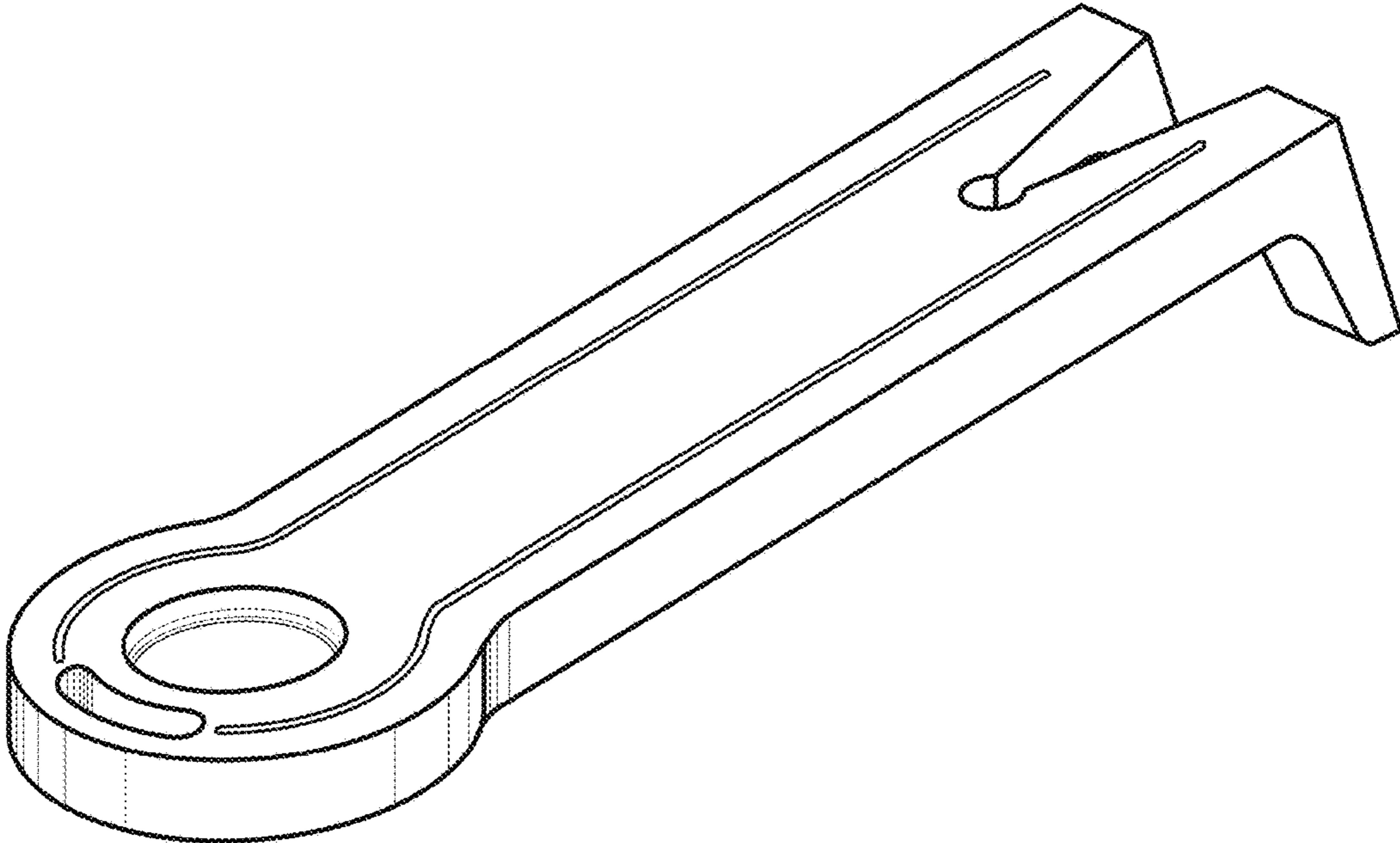


Fig. 2

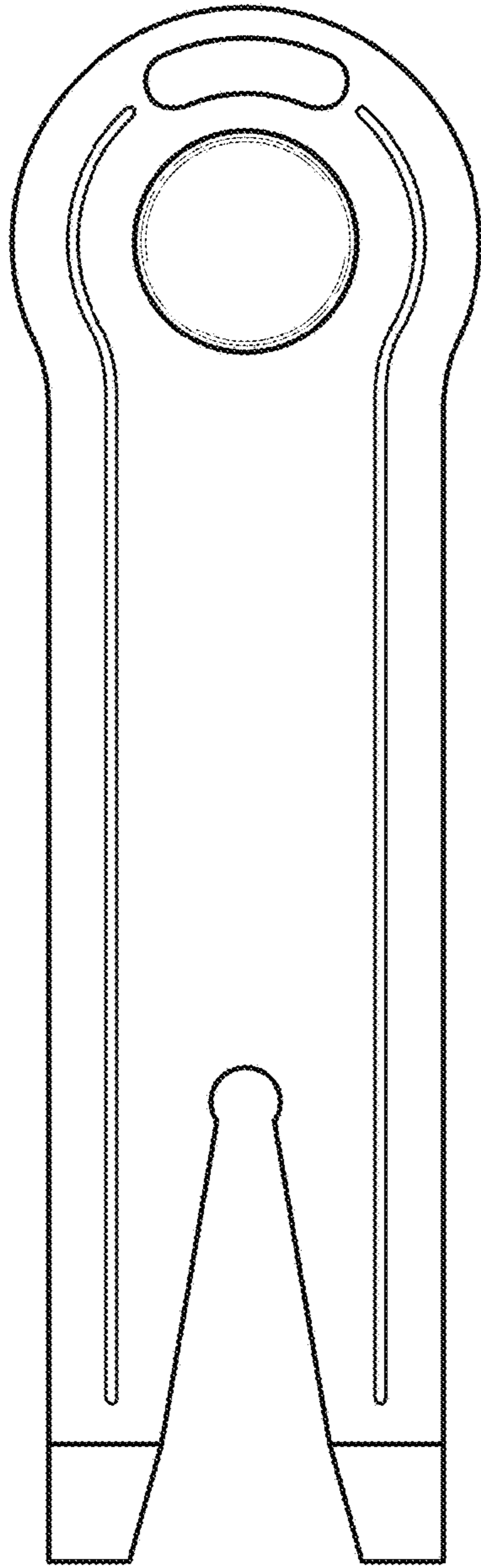


Fig. 3

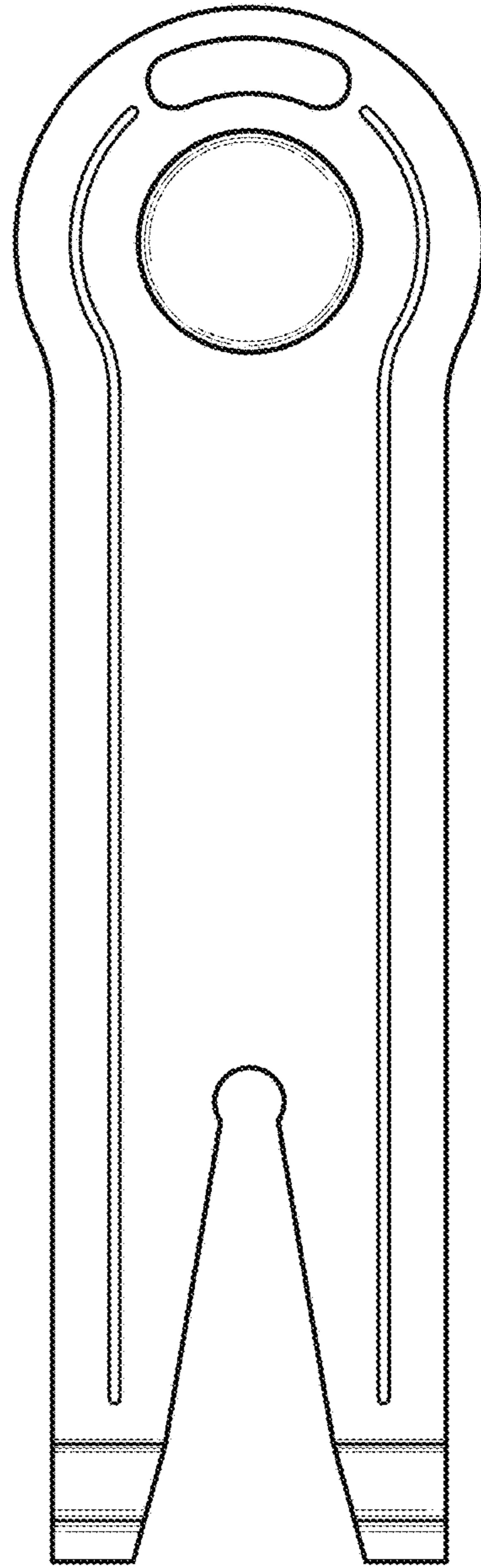


Fig. 4

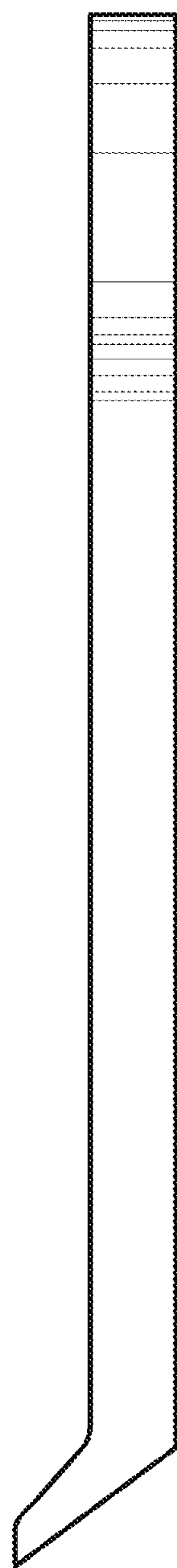


Fig. 5

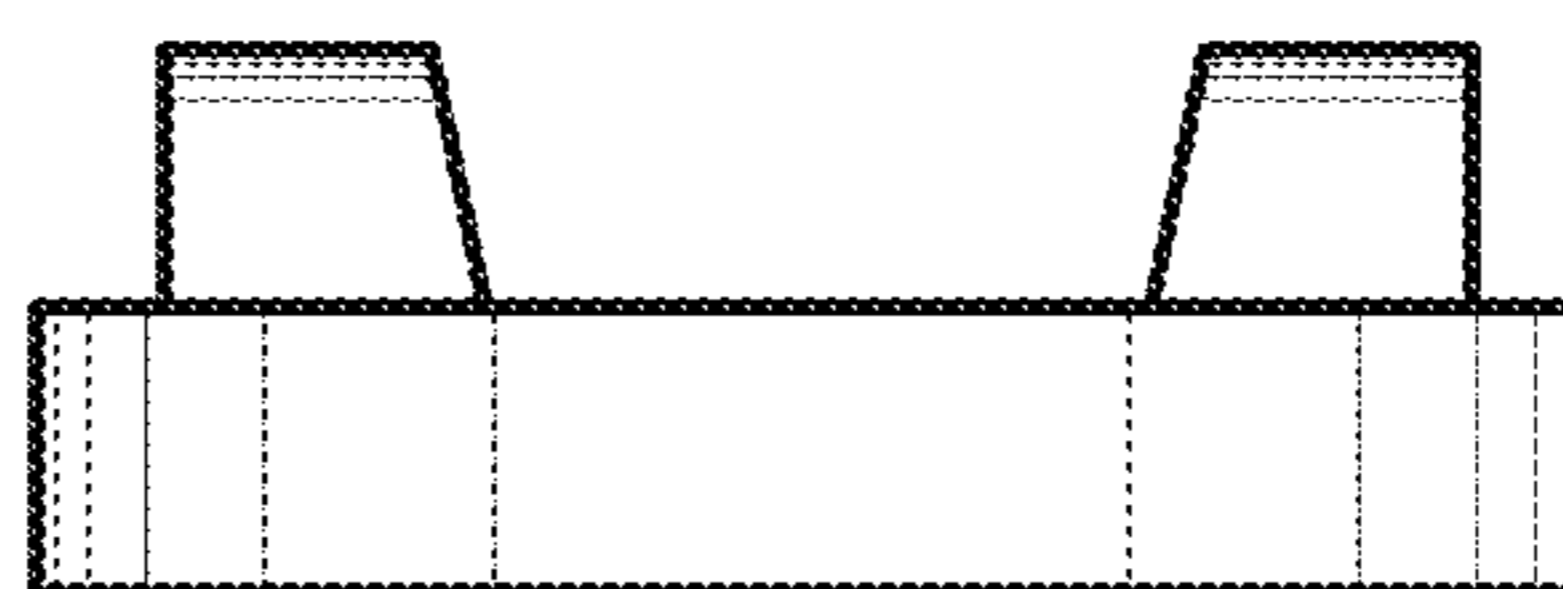


Fig. 6

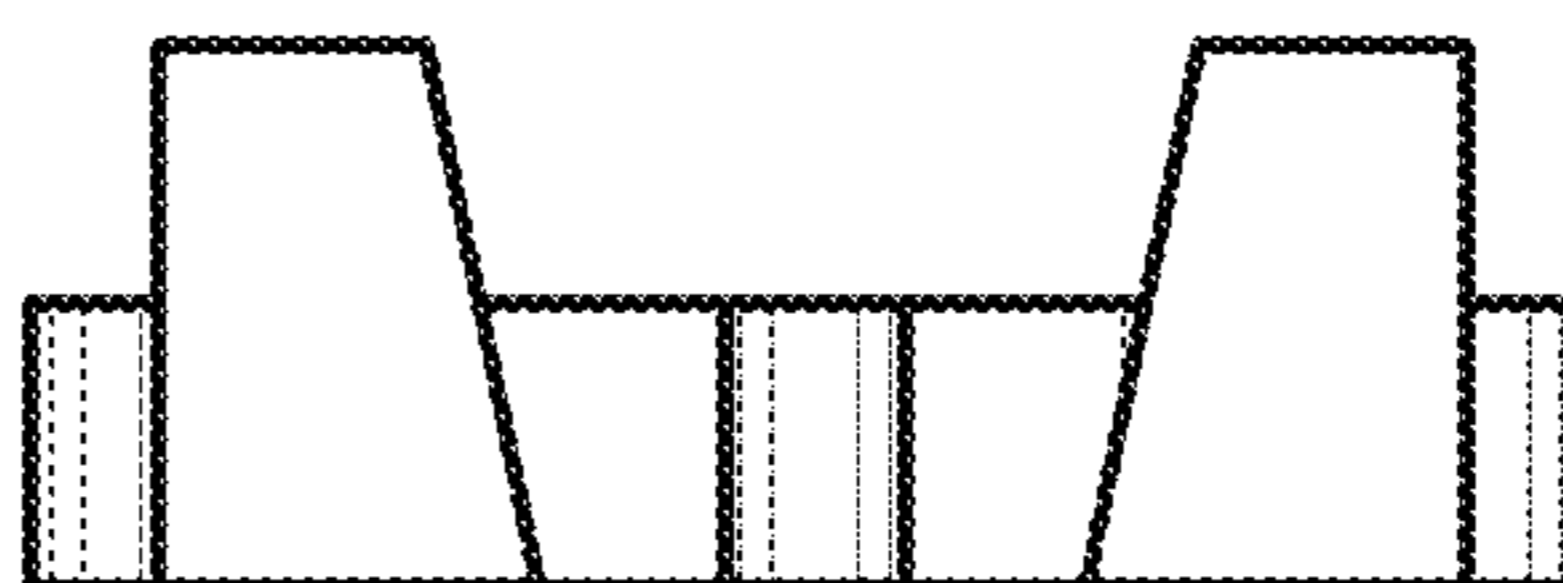


Fig. 7