



US00D790018S

(12) **United States Design Patent**  
**Roeloffs**

(10) **Patent No.:** **US D790,018 S**  
(45) **Date of Patent:** **\*\* Jun. 20, 2017**

(54) **NOVELTY RADIO-EQUIPPED  
WIRELESS-COMMUNICATING GOLF  
DRIVER WITH A DIGITAL DISPLAY**

(71) Applicant: **Johnny Roeloffs**, Tipton, CA (US)

(72) Inventor: **Johnny Roeloffs**, Tipton, CA (US)

(\*\*) Term: **15 Years**

(21) Appl. No.: **29/552,787**

(22) Filed: **Jan. 26, 2016**

(51) **LOC (10) Cl.** ..... **21-02**

(52) **U.S. Cl.**  
USPC ..... **D21/789**

(58) **Field of Classification Search**  
USPC ..... D21/733, 735, 752, 789, 791  
CPC ..... A63B 69/3632; A63B 69/3635; A63B  
69/3658; A63B 71/0686  
See application file for complete search history.

(56) **References Cited**

**U.S. PATENT DOCUMENTS**

- 4,191,378 A \* 3/1980 Morin ..... A63B 57/00  
473/224
- 4,840,371 A \* 6/1989 Harris ..... A63H 5/00  
446/404
- 5,644,785 A 7/1997 Garrett
- 5,868,633 A \* 2/1999 Keheley ..... A63B 69/3635  
273/DIG. 14

- D413,358 S \* 8/1999 McDonald ..... D21/324
- D423,599 S \* 4/2000 Au Yeung ..... D10/46.1
- 6,517,352 B2 \* 2/2003 Smith ..... A63B 69/3635  
434/252
- D503,947 S \* 4/2005 Shirley ..... D16/227
- 6,935,965 B1 \* 8/2005 DeVarney ..... A63B 69/3635  
473/224
- D643,892 S \* 8/2011 McGroarty ..... D21/735

\* cited by examiner

*Primary Examiner* — Mitchell Siegel

(74) *Attorney, Agent, or Firm* — Stevenson IP, LLC

(57) **CLAIM**

The ornamental design for a novelty radio-equipped wireless-communicating golf driver with a digital display, as shown and described.

**DESCRIPTION**

FIG. 1 is a front elevation view of a novelty radio-equipped wireless-communicating golf driver with a digital display showing my new design;

FIG. 2 is a rear elevation view thereof;

FIG. 3 is a right side elevation view thereof;

FIG. 4 is a left side elevation view thereof;

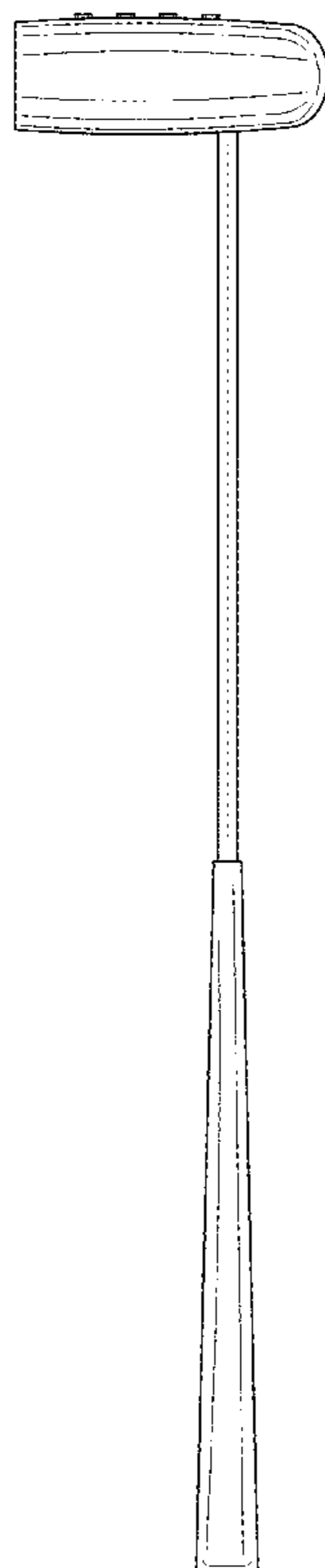
FIG. 5 is a top plan view thereof;

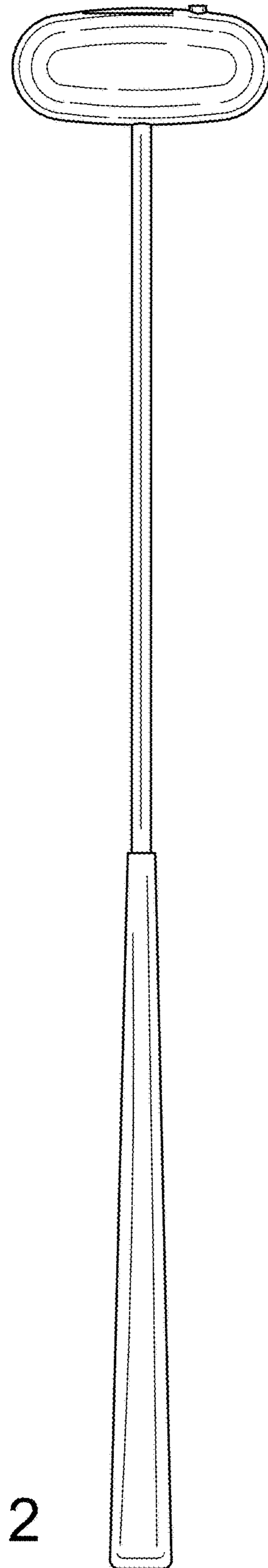
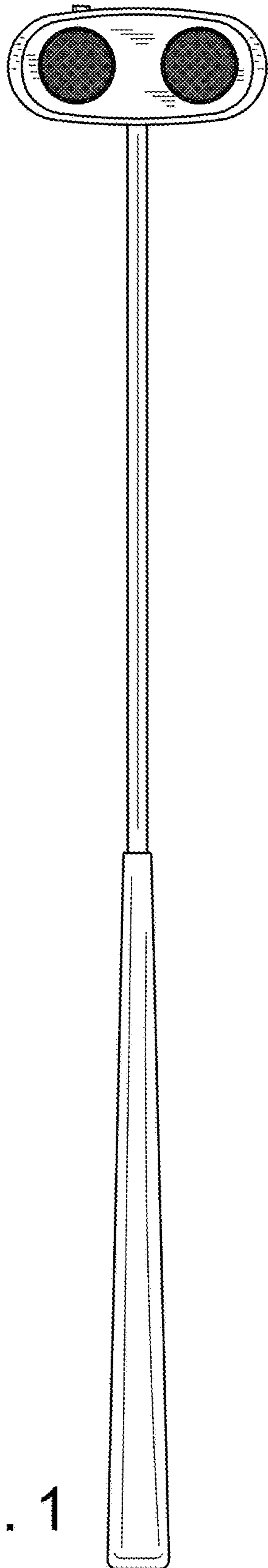
FIG. 6 is a bottom plan view thereof; and,

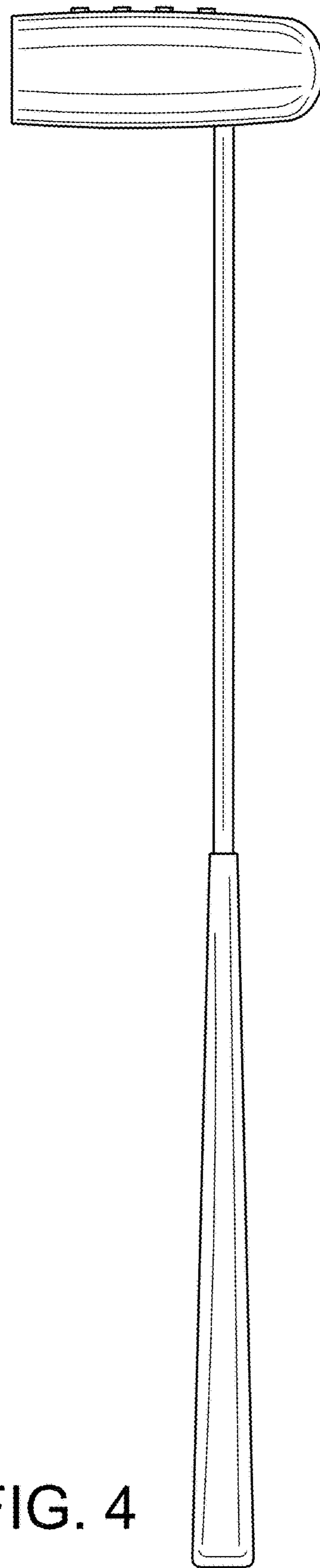
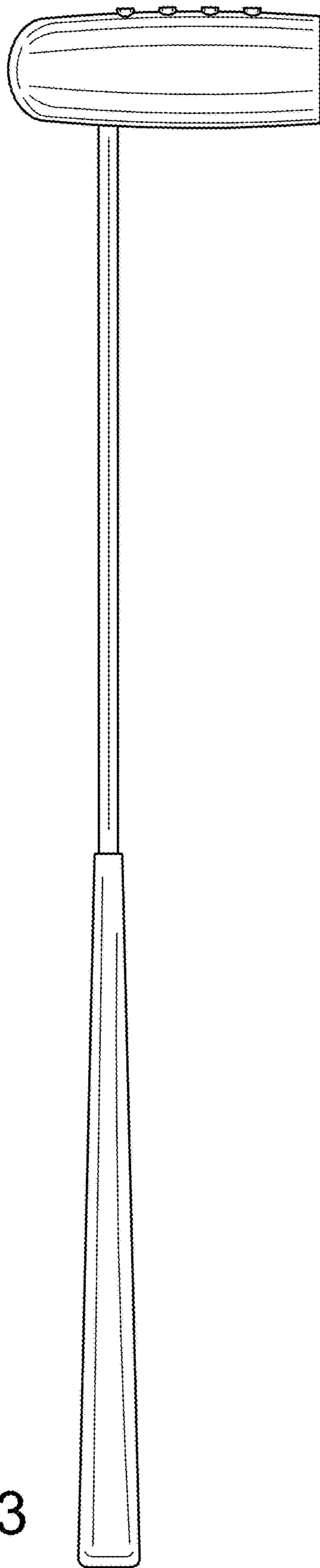
FIG. 7 is an isometric view thereof.

The broken lines in FIG. 7 of the drawings depict a golf bag as environmental subject matter only and form no part of the claimed design.

**1 Claim, 4 Drawing Sheets**







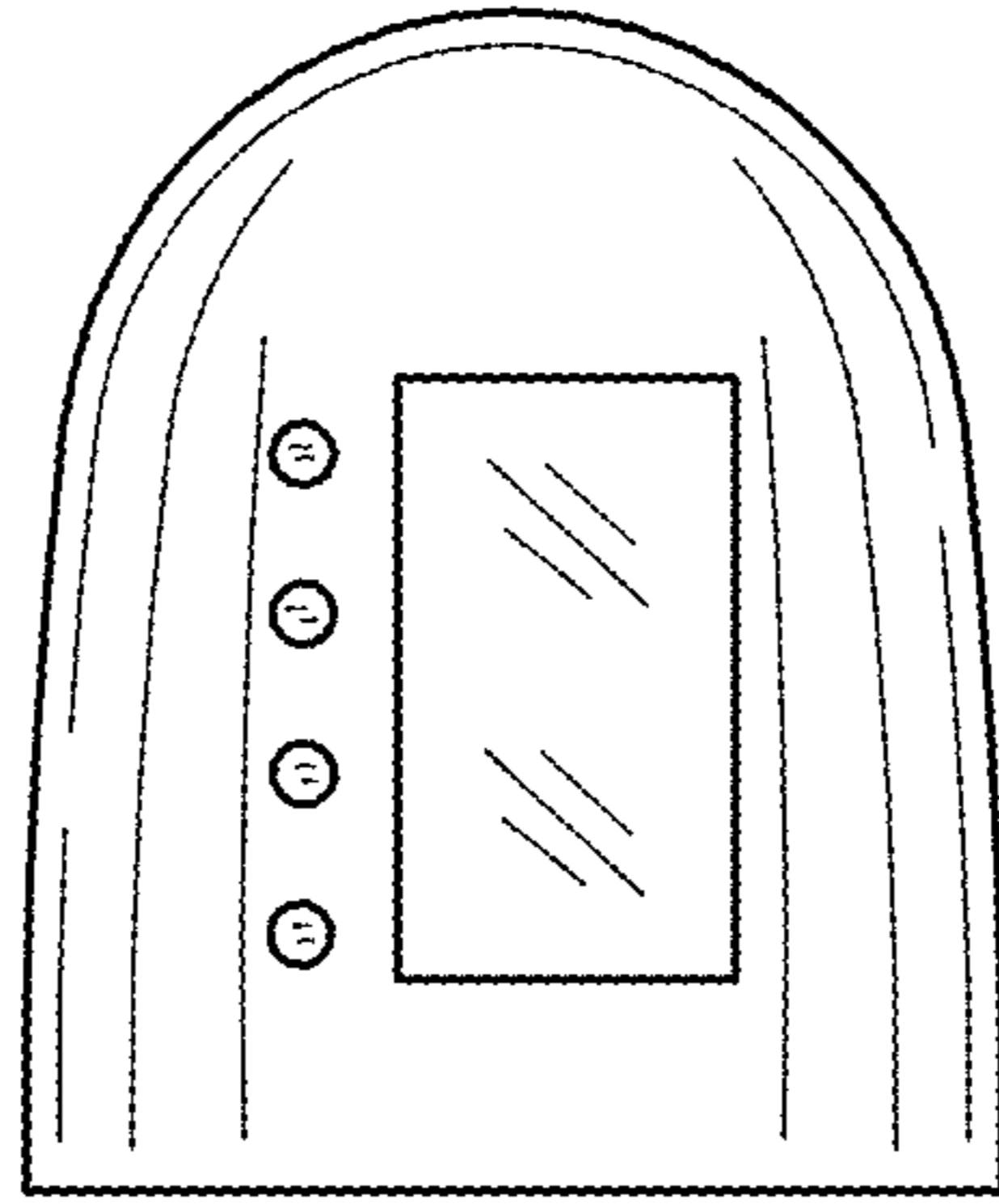


FIG. 5

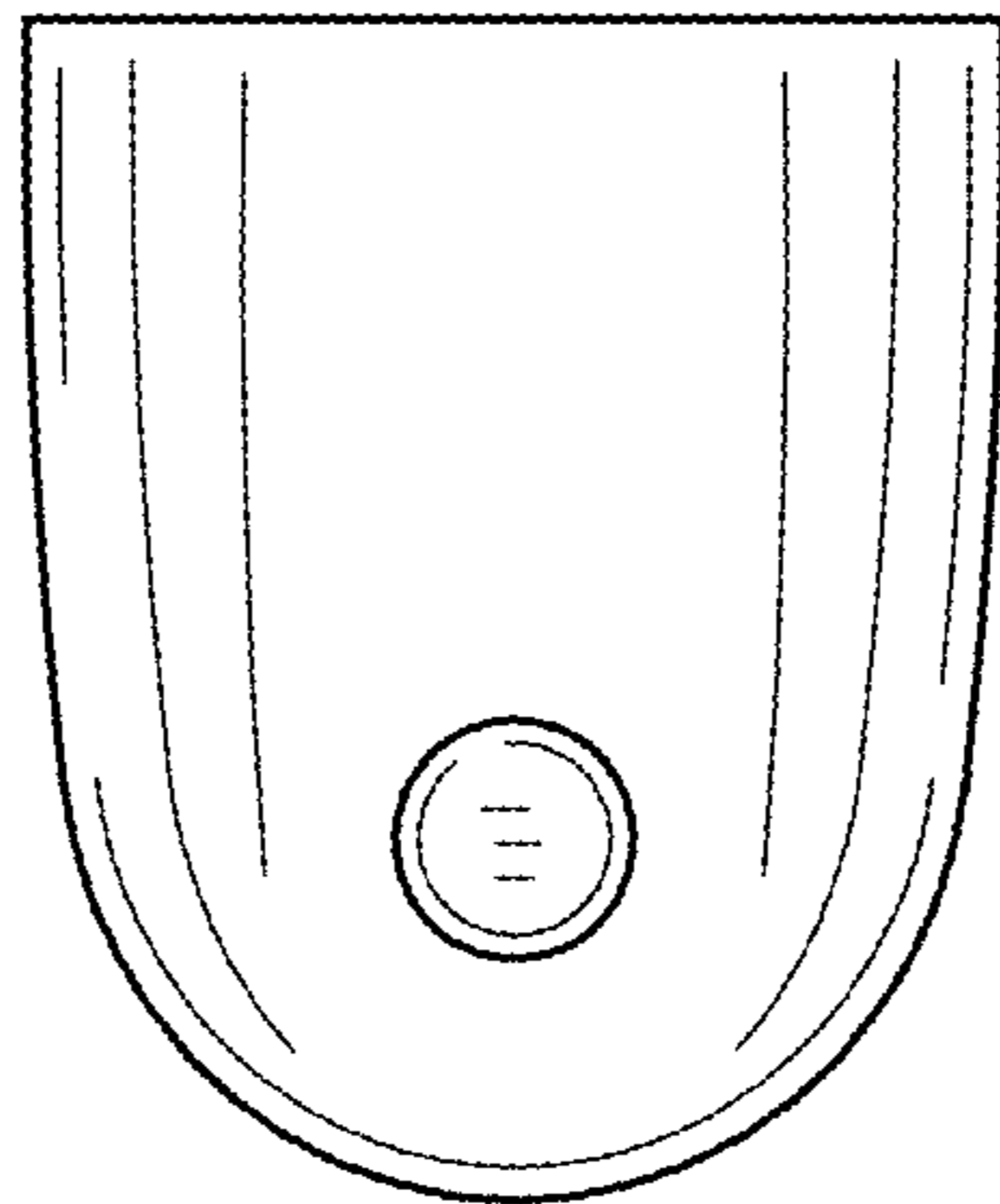


FIG. 6

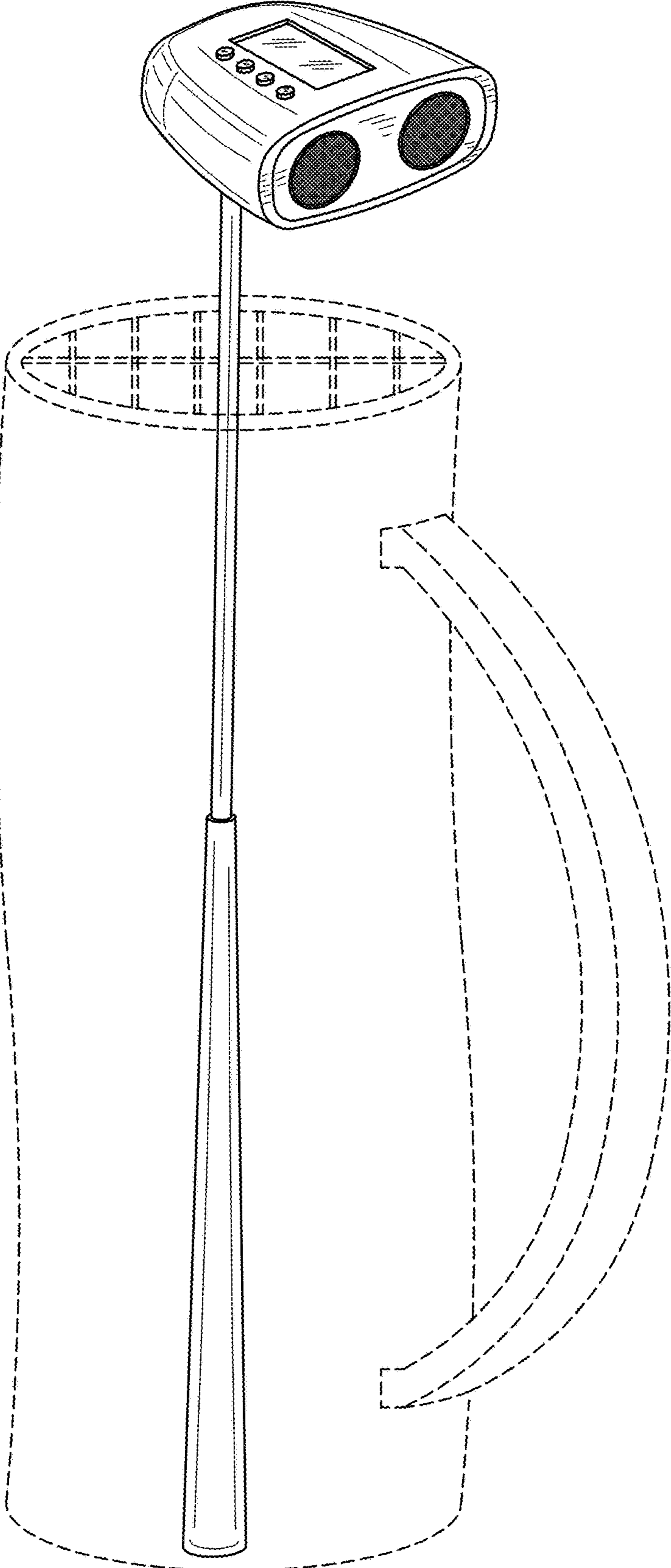


FIG. 7