



US00D790017S

(12) **United States Design Patent**  
**Mueller**

(10) **Patent No.:** **US D790,017 S**

(45) **Date of Patent:** **\*\* Jun. 20, 2017**

(54) **BASEBALL SWING TRAINING AID**

(71) Applicant: **Daniel J. Mueller**, Pewaukee, WI (US)

(72) Inventor: **Daniel J. Mueller**, Pewaukee, WI (US)

(\*\*) Term: **15 Years**

(21) Appl. No.: **29/543,495**

(22) Filed: **Oct. 26, 2015**

(51) **LOC (10) Cl.** ..... **21-02**

(52) **U.S. Cl.**

USPC ..... **D21/780**; D21/698

(58) **Field of Classification Search**

USPC ... D21/698, 780, 781, 791, 799.1, 662, 672,  
D21/673-678, 692-694; D29/100, 120.1;  
D24/190; 473/450, 453, 457, 458, 461,  
473/464

CPC ..... A63B 69/0057; A63B 69/0059; A63B  
69/3608; A63B 69/00; A63B 69/0002;  
A63B 69/0015; A63B 2069/0004; A63B  
2069/0006; A63B 2069/0008; A63B  
2209/10

See application file for complete search history.

(56) **References Cited**

**U.S. PATENT DOCUMENTS**

- 3,700,245 A \* 10/1972 Nannini ..... A63B 69/0059  
473/213
- 3,814,419 A \* 6/1974 Bjorklund ..... A63B 69/38  
473/464
- D234,434 S \* 3/1975 Trevino ..... D21/791
- 4,911,728 A \* 3/1990 Rigel ..... A63B 65/00  
473/214
- 4,984,789 A \* 1/1991 Socci ..... A63B 69/0002  
473/458
- 5,395,117 A \* 3/1995 Ogden ..... A63B 69/0059  
473/214
- 5,403,002 A \* 4/1995 Brunty ..... A61F 5/0123  
473/438

5,593,353 A \* 1/1997 Kramer ..... A63B 69/0059  
473/205

5,634,854 A \* 6/1997 Albertsson ..... A63B 69/0059  
128/879

5,704,856 A 1/1998 Morse  
6,773,366 B2 8/2004 Gray  
7,699,714 B1 \* 4/2010 Reynolds ..... A63B 69/0059  
473/212

2005/0266942 A1 \* 12/2005 Failla Colonnello Seppi .....  
A63B 69/38  
473/551

2007/0054758 A1 3/2007 Cockrell  
(Continued)

**FOREIGN PATENT DOCUMENTS**

GB 2103937 A \* 3/1983 ..... A63B 69/38  
WO WO 9119548 A1 \* 12/1991 ..... A63B 69/38

(Continued)

*Primary Examiner* — Catherine Tuttle

(74) *Attorney, Agent, or Firm* — Ryan Kromholz &  
Manion, S.C.

(57) **CLAIM**

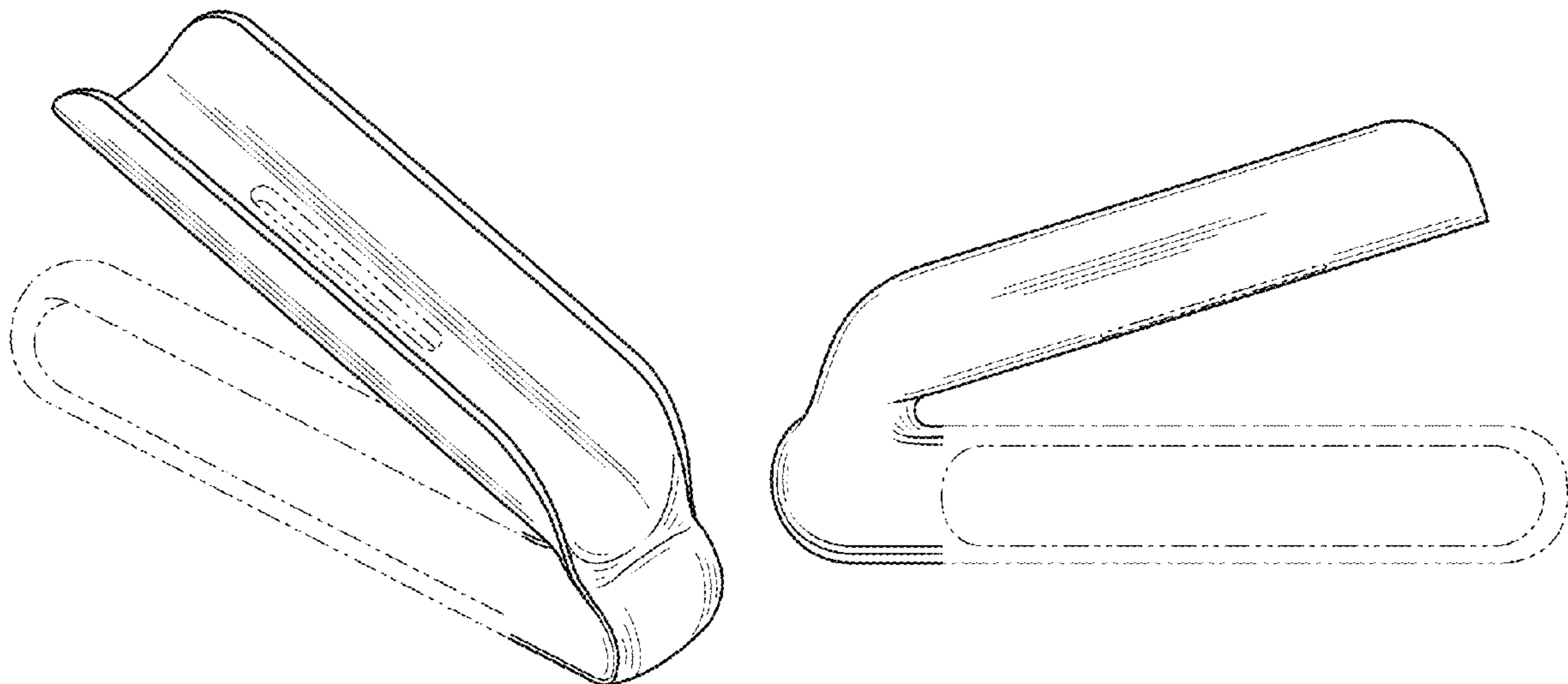
I claim the ornamental design for a baseball swing training aid, as shown and described.

**DESCRIPTION**

FIG. 1 is a top front perspective view of the baseball swing training aid showing my new design; FIG. 2 is a front and left perspective view thereof; FIG. 3 is a left side elevational view thereof; FIG. 4 is a right side elevational view thereof; FIG. 5 is a top plan view thereof; FIG. 6 is a bottom plan view thereof; FIG. 7 is a rear elevational view thereof; and, FIG. 8 is a front elevational view thereof.

The broken lines are included for the purpose of illustrating the portions of the baseball swing trainer that form no part of the claimed design.

**1 Claim, 2 Drawing Sheets**



(56)

**References Cited**

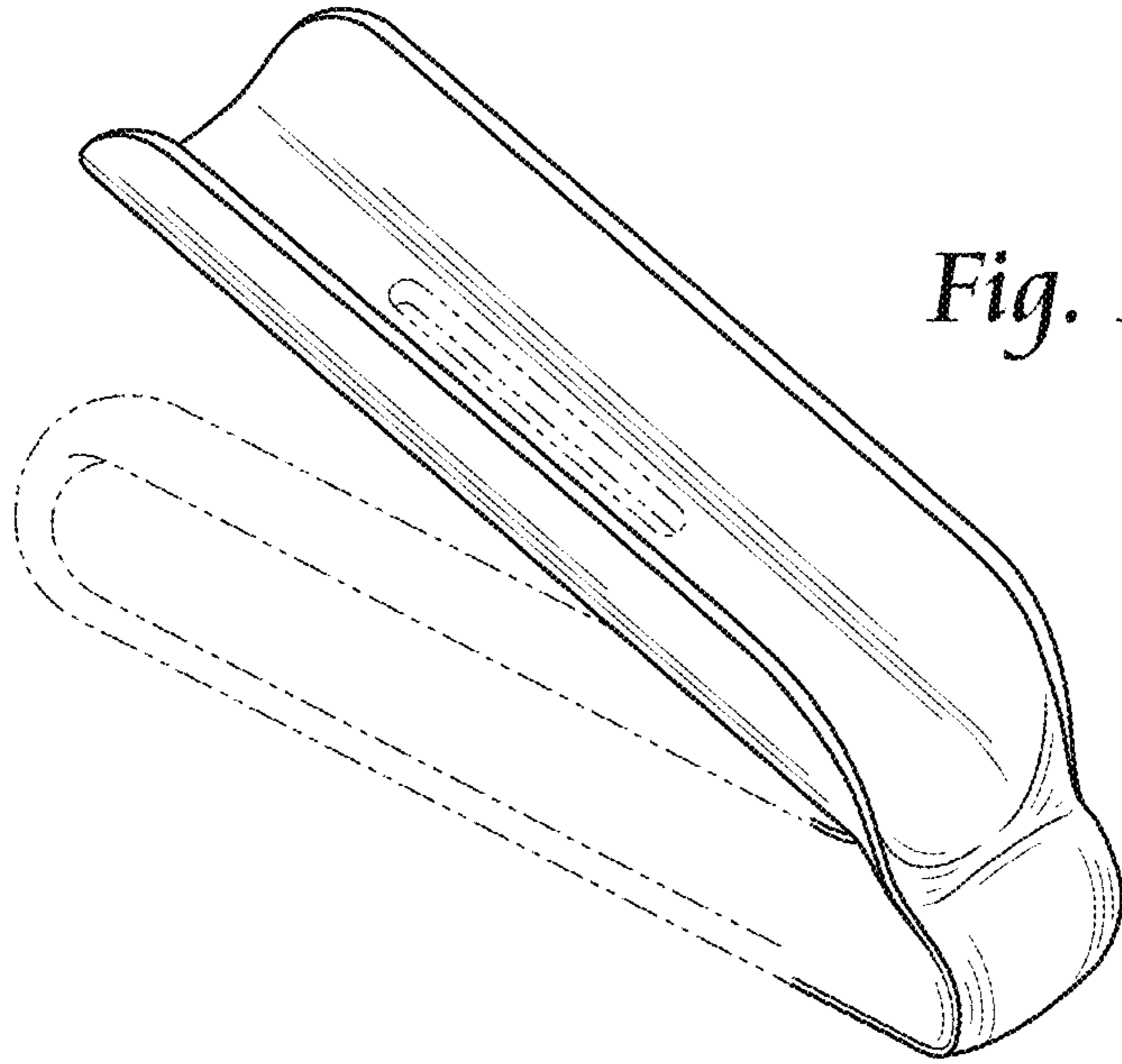
U.S. PATENT DOCUMENTS

2007/0191146 A1\* 8/2007 Darmohusodo ..... A63B 69/36  
473/464  
2010/0274166 A1\* 10/2010 Terrio ..... A61F 5/0113  
602/23  
2012/0231903 A1\* 9/2012 Drozjock ..... A63B 69/0059  
473/422  
2013/0130844 A1\* 5/2013 Wagner ..... A63B 69/0002  
473/457  
2013/0196796 A1\* 8/2013 Johnson ..... A63B 69/0002  
473/458  
2013/0324331 A1 12/2013 Barnhill  
2014/0113753 A1\* 4/2014 Craig ..... A63B 69/0071  
473/450

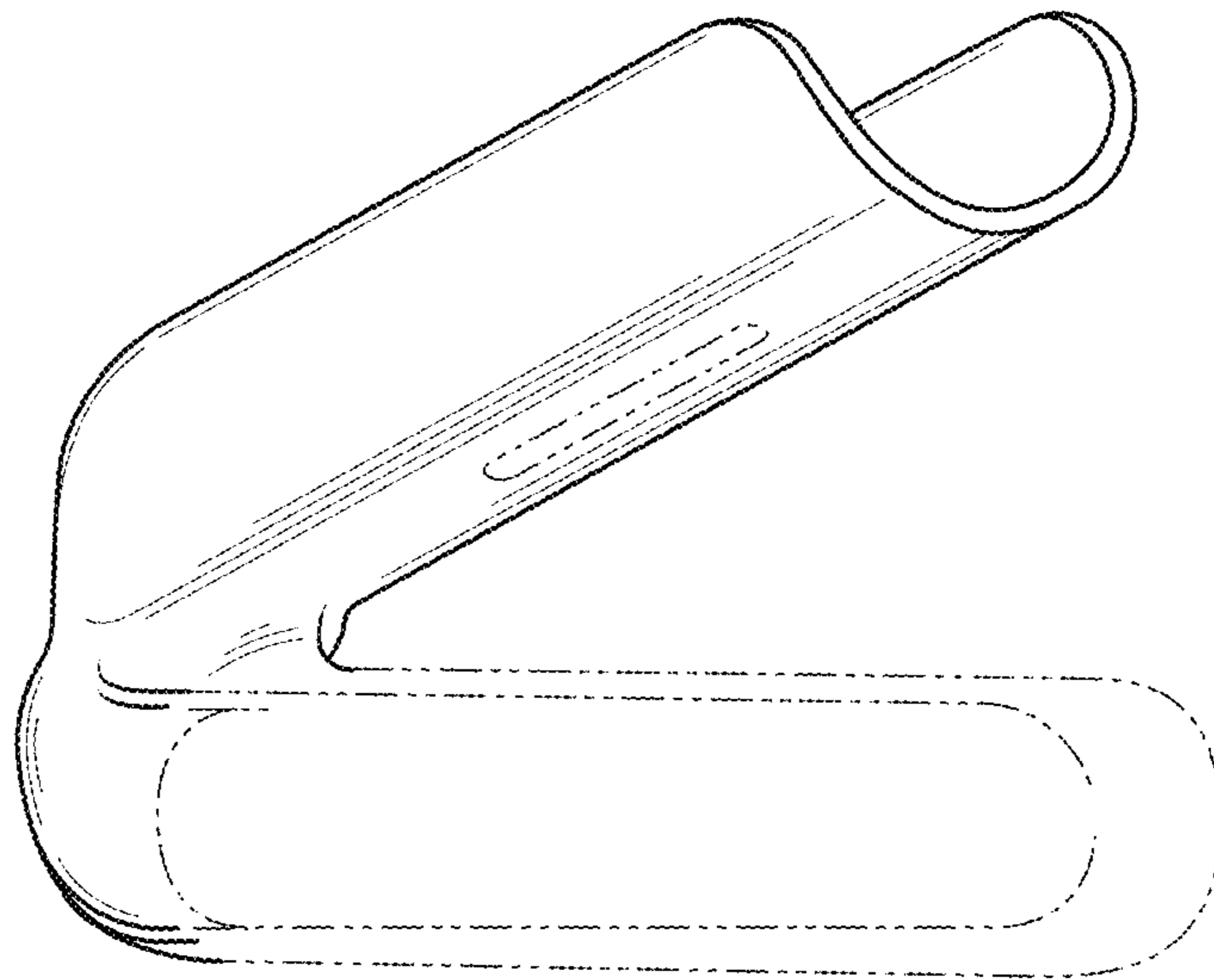
FOREIGN PATENT DOCUMENTS

WO WO 9618439 A1\* 6/1996 ..... A63B 69/0059  
WO WO 0152954 A1\* 7/2001 ..... A63B 69/0024

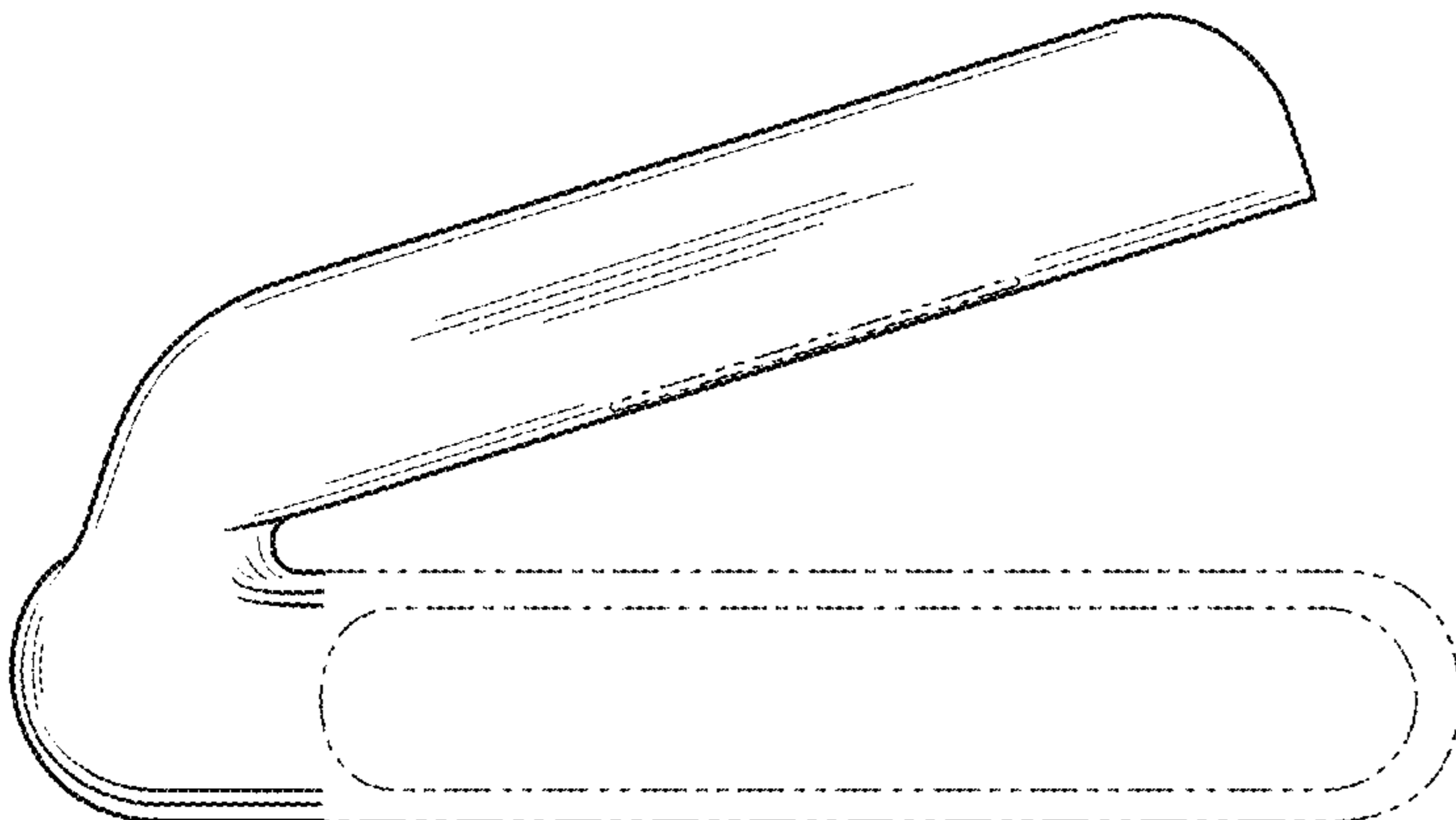
\* cited by examiner



*Fig. 1*



*Fig. 2*



*Fig. 3*

