



US00D790013S

(12) **United States Design Patent**  
**Clarke et al.**

(10) **Patent No.:** **US D790,013 S**  
(45) **Date of Patent:** **\*\* Jun. 20, 2017**

(54) **GOLF CLUB HEAD**

D507,612 S 7/2005 Souza  
6,926,615 B1 8/2005 Souza  
6,960,140 B2 11/2005 Solheim

(71) Applicant: **Karsten Manufacturing Corporation**,  
Phoenix, AZ (US)

(Continued)

(72) Inventors: **Jacob Clarke**, Phoenix, AZ (US);  
**Calvin Wang**, Chandler, AZ (US)

**OTHER PUBLICATIONS**

U.S. Appl. No. 13/291,658, filed May 10, 2012, Woods, Derek C.  
(Continued)

(73) Assignee: **Karsten Manufacturing Corporation**,  
Phoenix, AZ (US)

*Primary Examiner* — Mitchell Siegel

(\*\*) Term: **15 Years**

(57) **CLAIM**

(21) Appl. No.: **29/554,052**

The ornamental design for a golf club head, as shown and described.

(22) Filed: **Feb. 8, 2016**

**DESCRIPTION**

(51) **LOC (10) Cl.** ..... **21-02**

(52) **U.S. Cl.**  
USPC ..... **D21/743**

(58) **Field of Classification Search**  
USPC ..... D21/736–746, 759  
CPC ..... A63B 53/00; A63B 53/04; A63B 53/007;  
A63B 53/065; A63B 53/0487  
See application file for complete search history.

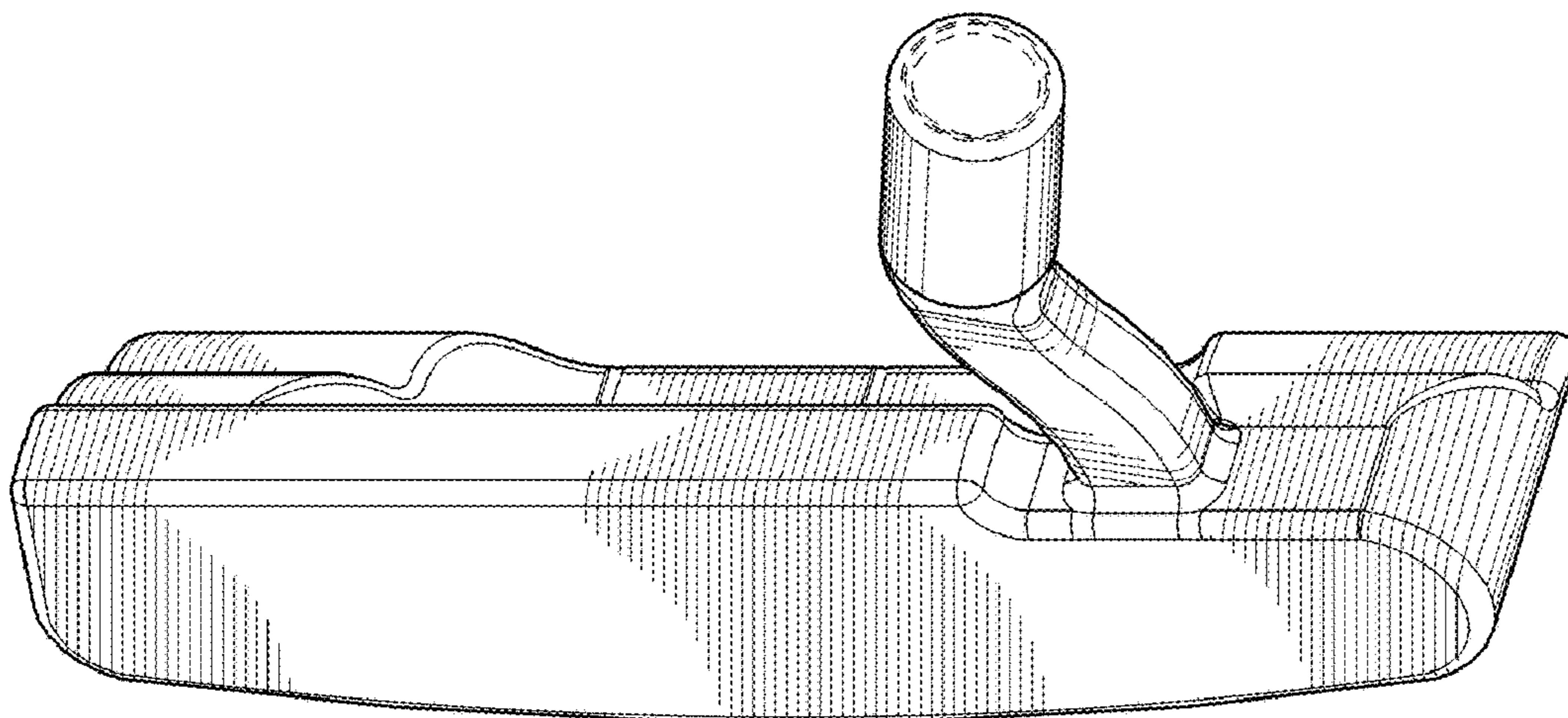
FIG. 1 is a top perspective view of a golf club head;  
FIG. 2 is a bottom perspective view of the golf club head of FIG. 1;  
FIG. 3 is a front view of the golf club head of FIG. 1;  
FIG. 4 is a rear view of the golf club head of FIG. 1;  
FIG. 5 is a top view of the golf club head of FIG. 1;  
FIG. 6 is a bottom view of the golf club head of FIG. 1;  
FIG. 7 is a left view of the golf club head of FIG. 1; and  
FIG. 8 is a right view of the golf club head of FIG. 1;  
FIG. 9 is a top perspective view of a second embodiment of a golf club head;  
FIG. 10 is a bottom perspective view of the golf club head of FIG. 9;  
FIG. 11 is a front view of the golf club head of FIG. 9;  
FIG. 12 is a rear view of the golf club head of FIG. 9;  
FIG. 13 is a top view of the golf club head of FIG. 9;  
FIG. 14 is a bottom view of the golf club head of FIG. 9;  
FIG. 15 is a left view of the golf club head of FIG. 9; and,  
FIG. 16 is a right view of the golf club head of FIG. 9.  
The broken lines shown in one or more of the figures are for illustrative purposes only and form no part of the claimed design.

(56) **References Cited**

**U.S. PATENT DOCUMENTS**

3,884,477	A	5/1975	Bianco	
4,030,766	A	6/1977	Derr	
D316,129	S	4/1991	Bryson	
5,275,412	A	1/1994	Innes	
D394,689	S *	5/1998	Sheets	..... D21/743
6,159,108	A	12/2000	De La Pena	
6,379,259	B1	4/2002	Opie	
D483,823	S *	12/2003	Swist	..... D21/736
D488,526	S	4/2004	Souza	
D500,109	S	12/2004	Solheim	
D500,110	S	12/2004	Solheim	
6,837,801	B1	1/2005	Souza	
6,878,071	B1	4/2005	Schwiegert	
6,893,355	B2	5/2005	Souza	
6,902,496	B2	6/2005	Solheim	

**1 Claim, 8 Drawing Sheets**



(56)

References Cited

U.S. PATENT DOCUMENTS

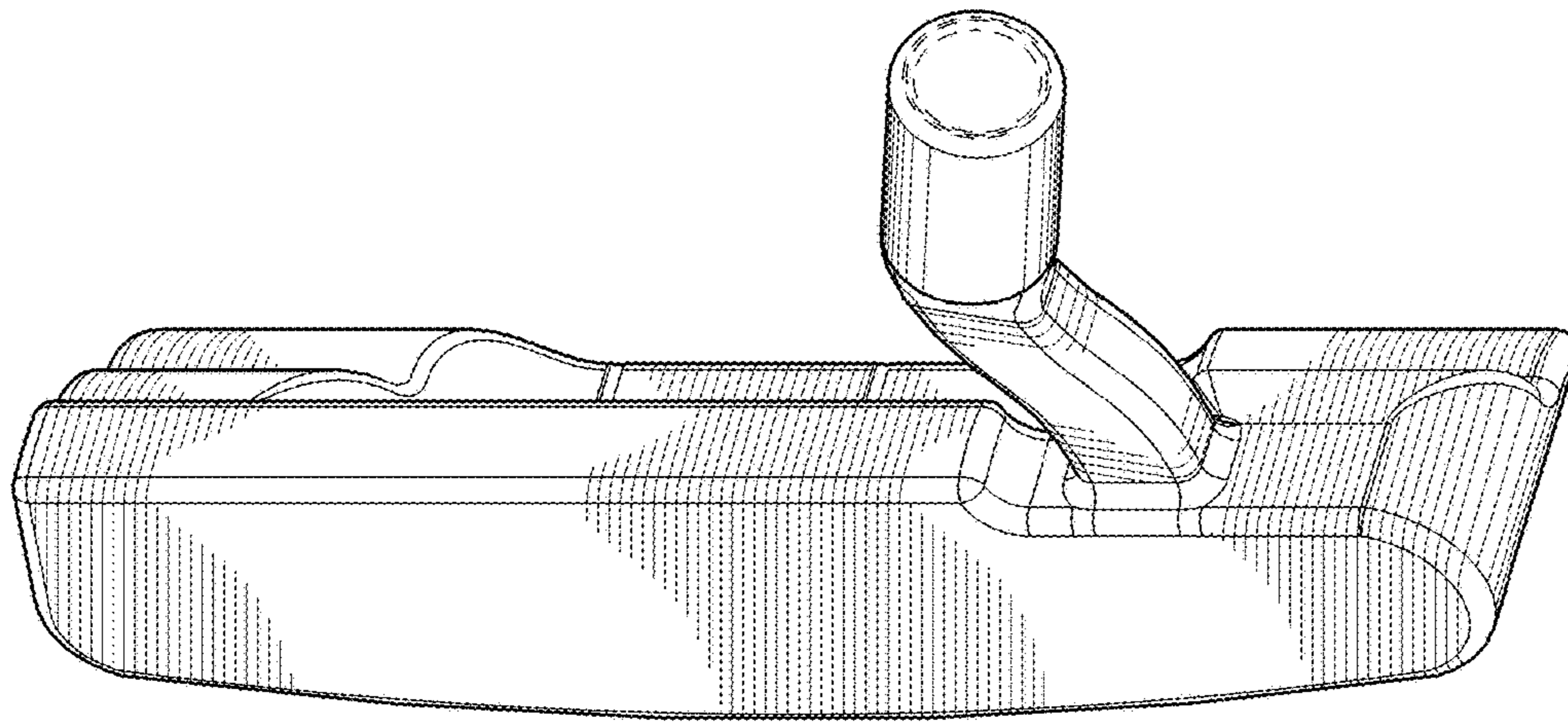
6,966,845 B2 11/2005 Solheim  
 D520,584 S 5/2006 Karlsten  
 D521,582 S 5/2006 Souza  
 7,052,411 B2 5/2006 Solheim  
 D522,598 S 6/2006 Solheim  
 7,077,758 B2 7/2006 Rohrer  
 7,086,957 B2 8/2006 Solheim  
 D527,777 S 9/2006 Solheim  
 D529,108 S 9/2006 Stites  
 D532,847 S 11/2006 Rollinson  
 D533,243 S 12/2006 Fife, Jr.  
 D533,244 S 12/2006 Kroll, Jr.  
 7,235,021 B2 6/2007 Solheim  
 D548,295 S 8/2007 Jertson  
 7,255,650 B2 8/2007 Bryant  
 D552,197 S 10/2007 Wells  
 D564,607 S 3/2008 Oldknow et al.  
 D565,137 S 3/2008 Oldknow  
 7,371,185 B1 5/2008 Rohrer  
 D570,934 S \* 6/2008 Ban ..... D21/744  
 D577,086 S \* 9/2008 Nicolette ..... D21/743  
 D581,473 S 11/2008 Thomas  
 D583,003 S 12/2008 Solheim  
 D587,325 S 2/2009 Solheim  
 D600,760 S 9/2009 Serrano  
 D600,761 S 9/2009 Solheim  
 D600,762 S 9/2009 Serrano  
 7,601,076 B2 10/2009 Rollinson  
 D607,950 S 1/2010 Souza  
 D613,357 S \* 4/2010 Utz ..... D21/736  
 D621,458 S 8/2010 Serrano  
 D621,460 S 8/2010 Serrano

D621,461 S 8/2010 Serrano  
 D621,462 S 8/2010 Serrano  
 D621,891 S 8/2010 Serrano  
 D623,709 S 9/2010 Serrano et al.  
 7,803,066 B2 9/2010 Solheim  
 7,815,515 B1 10/2010 Hunt  
 D638,891 S 5/2011 Nicolette  
 D640,341 S 6/2011 Foster et al.  
 D643,080 S 8/2011 Serrano  
 D643,485 S 8/2011 Nicolette  
 D643,486 S 8/2011 Serrano  
 D643,487 S 8/2011 Serrano  
 D650,456 S \* 12/2011 Tang ..... D21/743  
 8,100,779 B2 1/2012 Solheim  
 D653,718 S 2/2012 Stokke  
 8,109,838 B2 2/2012 Solheim  
 D655,361 S \* 3/2012 Ramsauer ..... D21/743  
 8,128,505 B2 3/2012 Tryner et al.  
 D664,617 S 7/2012 Serrano  
 D689,574 S \* 9/2013 Rollinson ..... D21/743  
 D723,641 S 3/2015 Serrano et al.

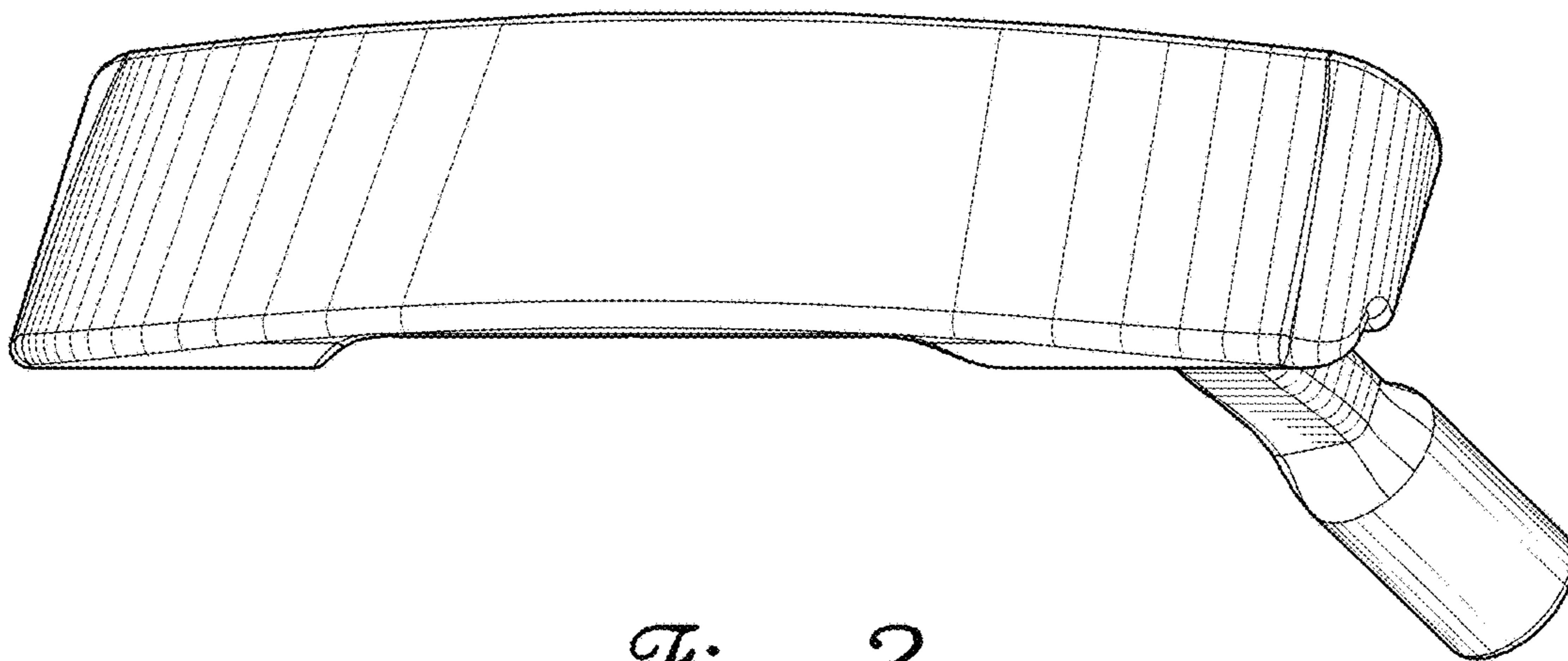
OTHER PUBLICATIONS

U.S. Appl. No. 11/646,037, filed Apr. 28, 2008, Bikhu, Surjit Singh.  
 U.S. Appl. No. 10/976,527, filed May 4, 2006, Warren, Paul D.  
 U.S. Appl. No. 12/635,516, filed Sep. 9, 2010, Souza, John C.  
 U.S. Appl. No. 10/575,594, filed Aug. 16, 2007, Nilsson, Johnny.  
 U.S. Appl. No. 11/044,789, filed Jul. 27, 2006, Brown, James P.  
 U.S. Appl. No. 10/770,907, filed Aug. 4, 2005, Smeeth, Kelly.  
 U.S. Appl. No. 12/164,956, filed Oct. 29, 2009, Solheim et al.  
 U.S. Appl. No. 12/390,837, filed Dec. 10, 2009, Campadore et al.  
 U.S. Appl. No. 12/542,375, filed Dec. 10, 2009, Solheim et al.

\* cited by examiner



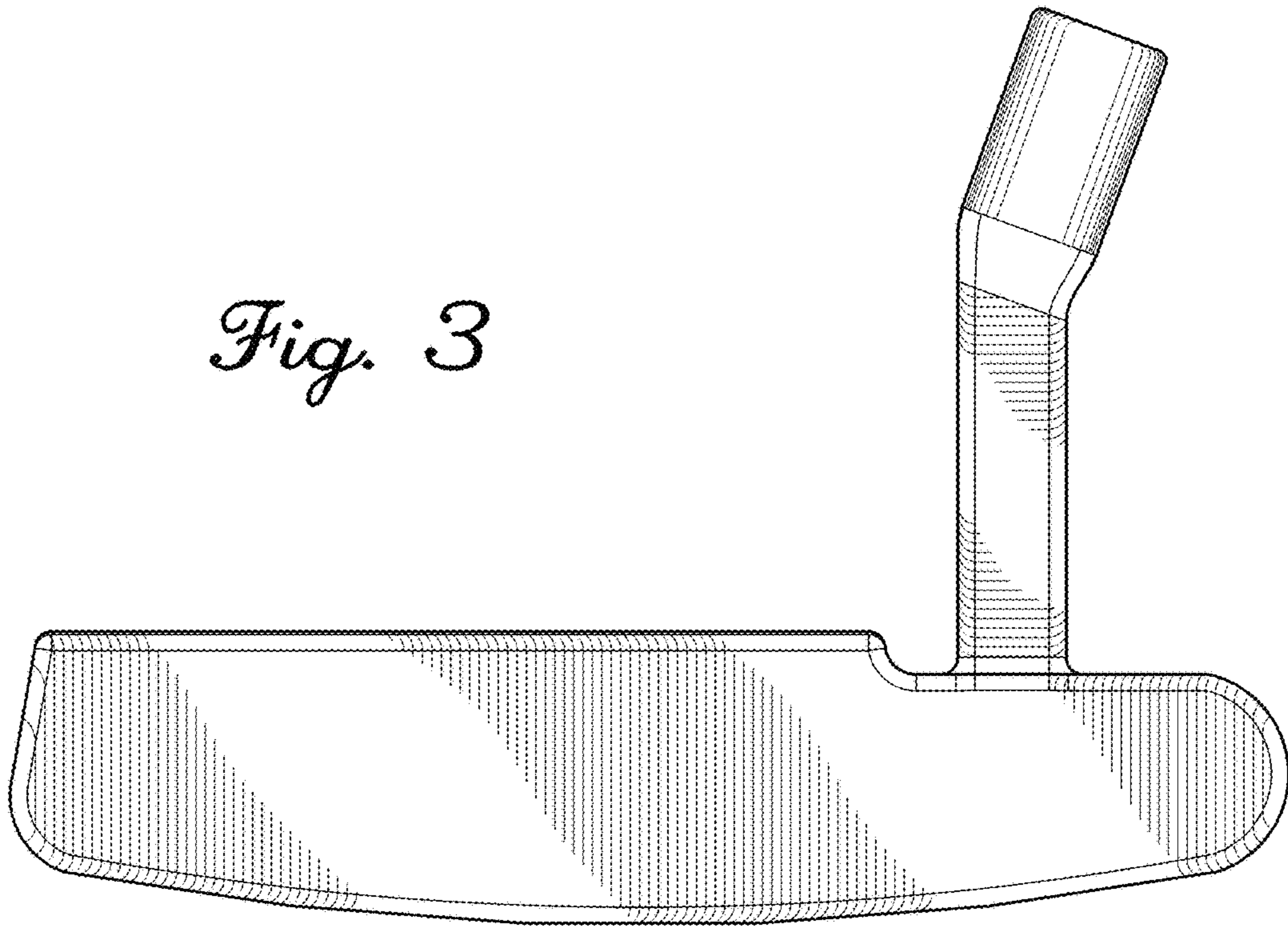
*Fig. 1*



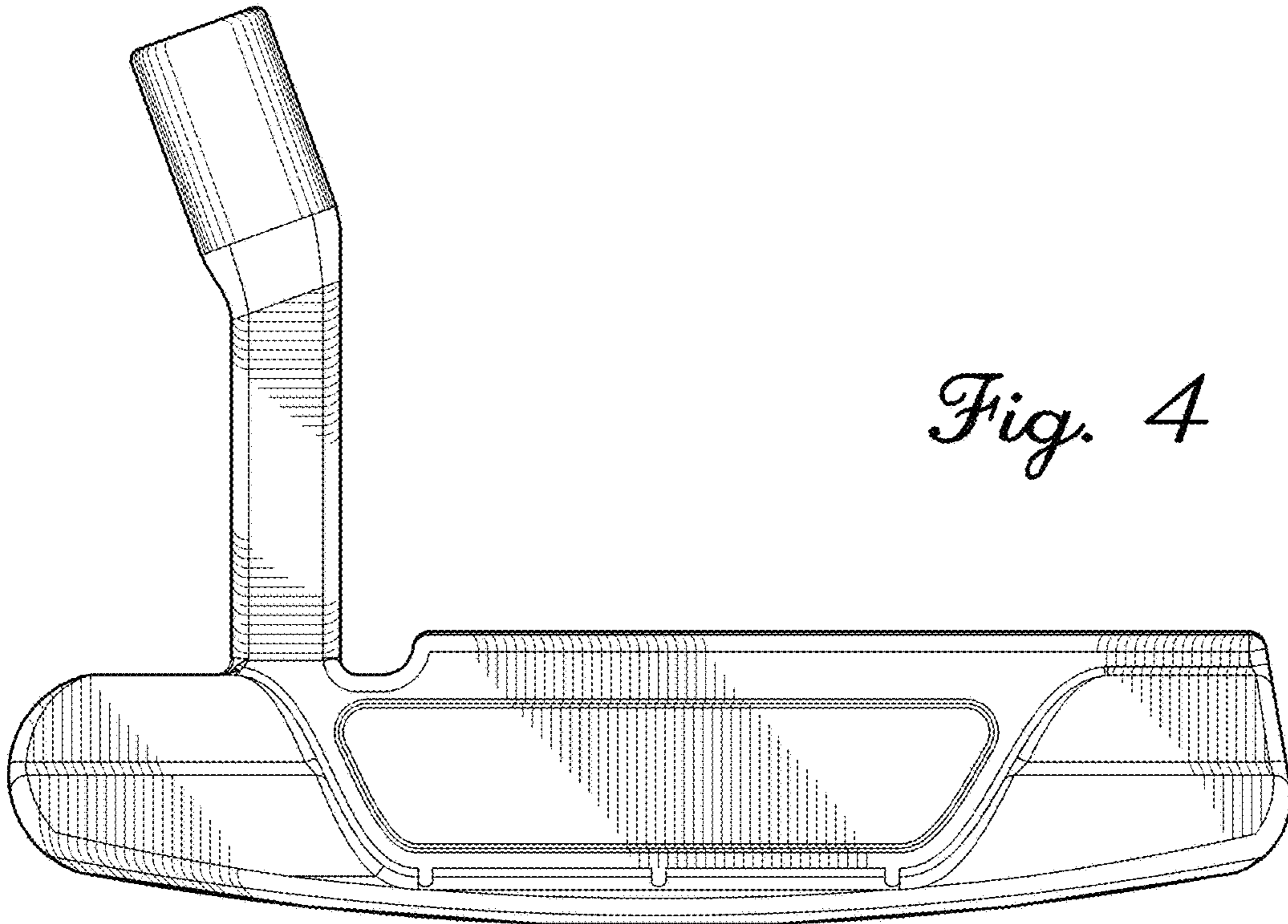
*Fig. 2*

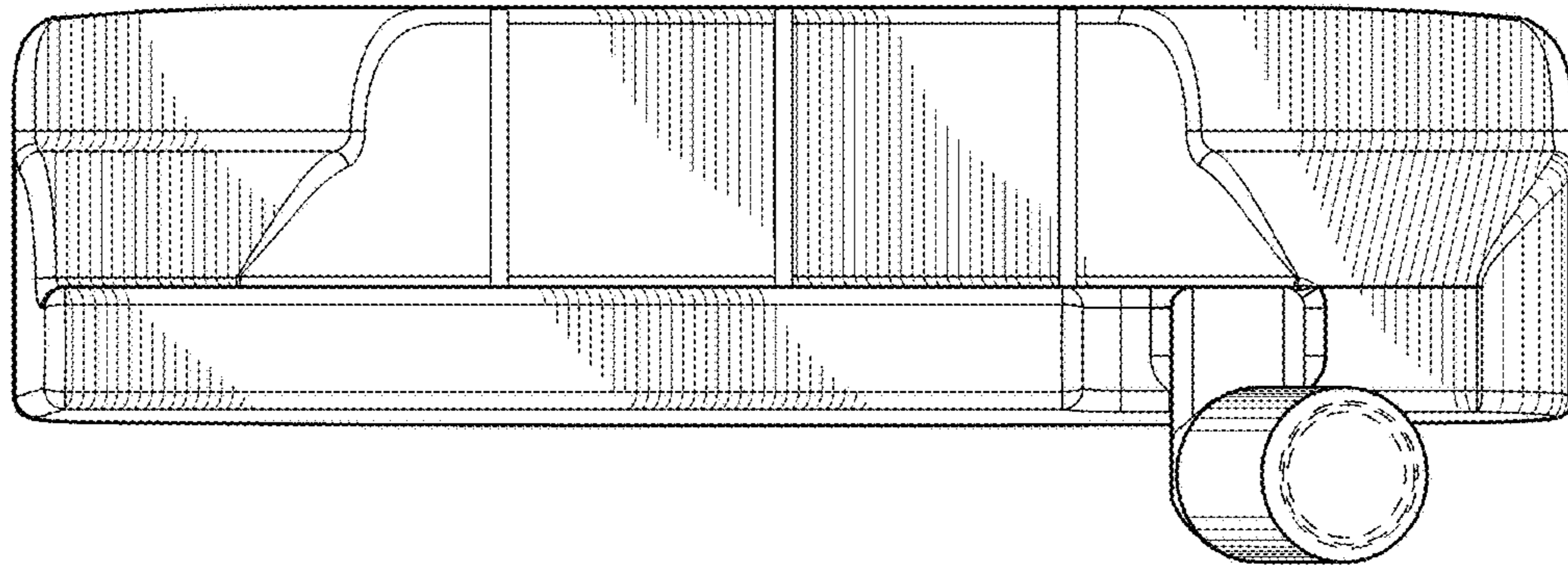


*Fig. 3*

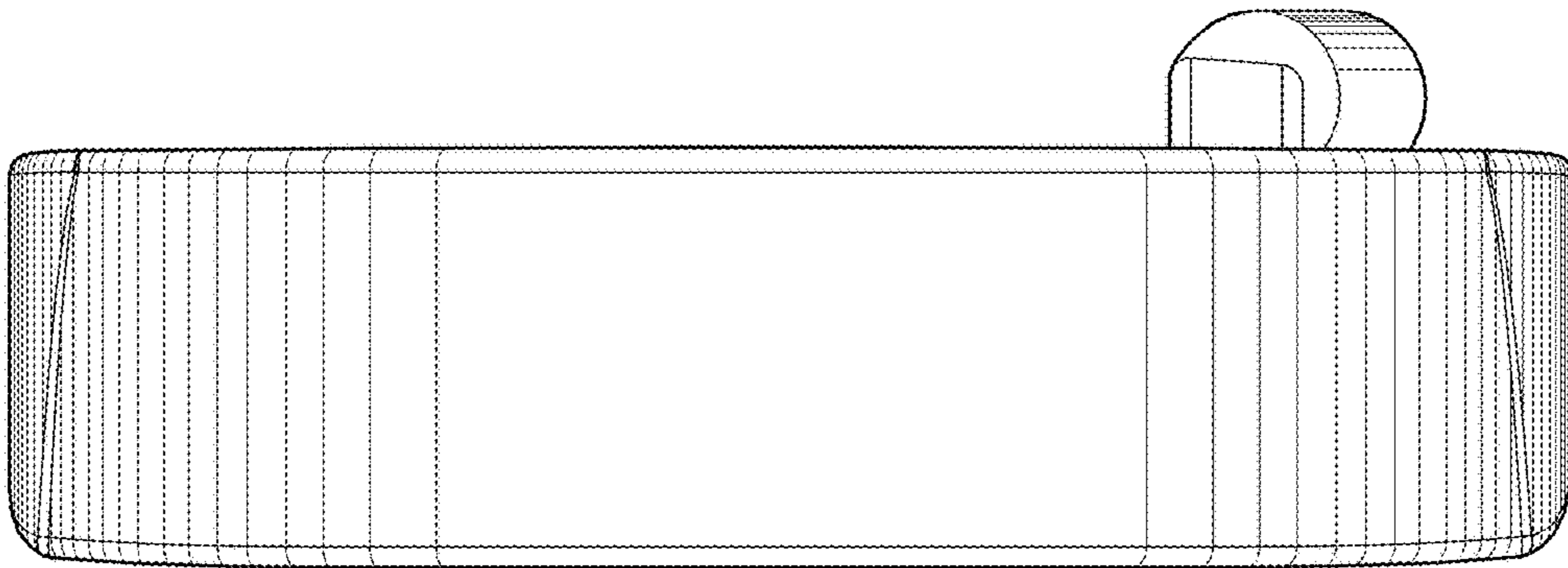


*Fig. 4*

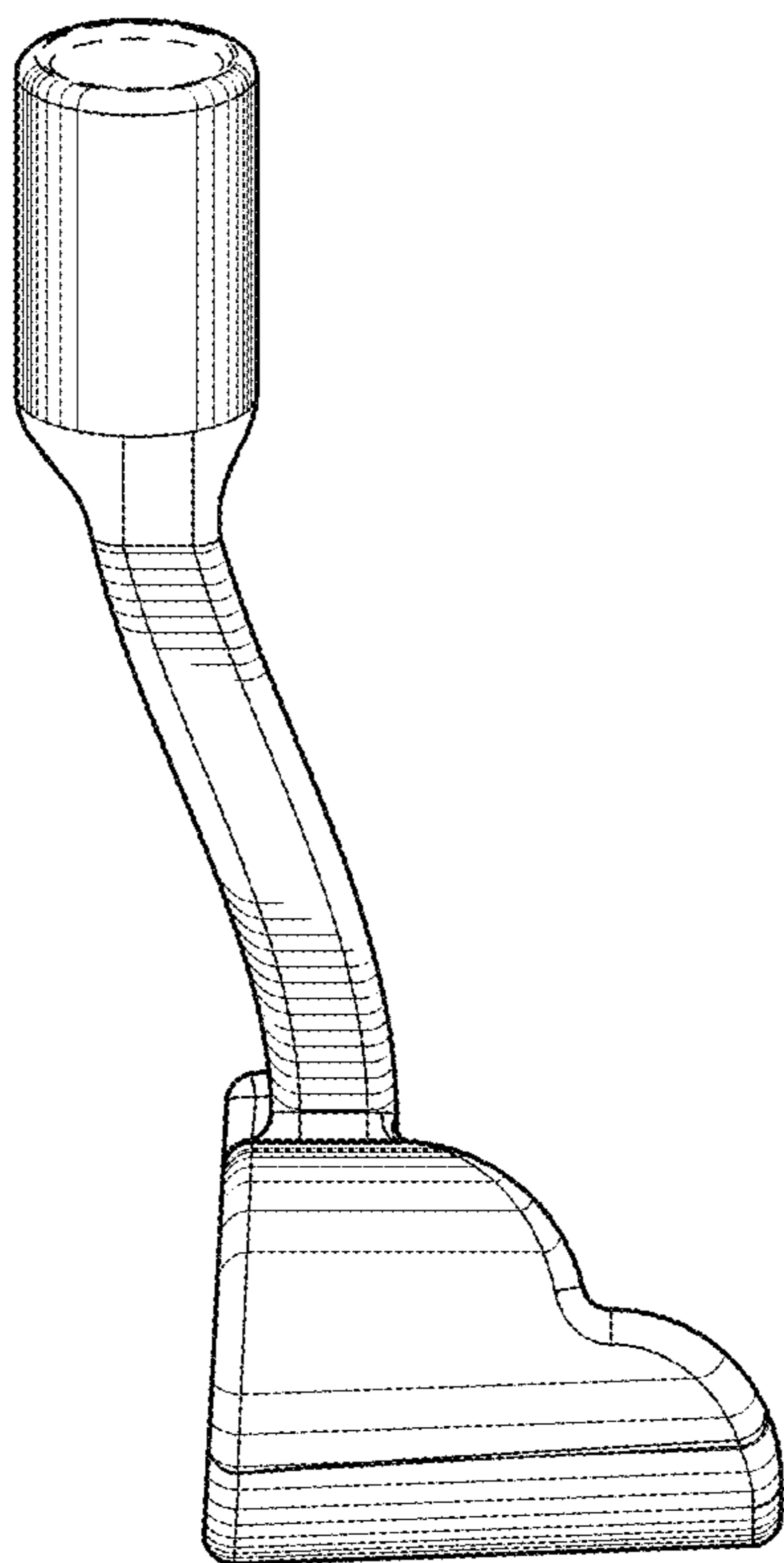




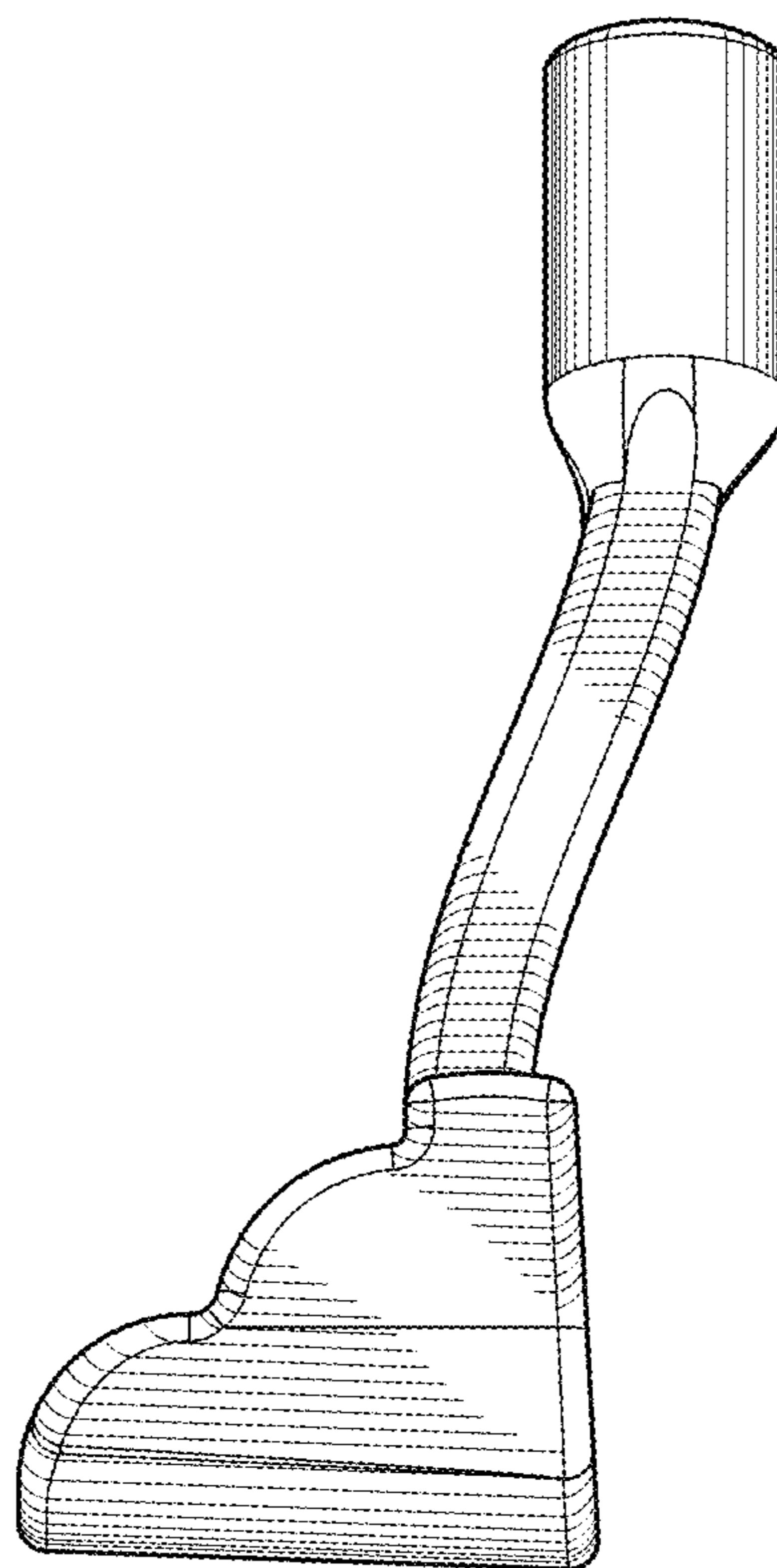
*Fig. 5*



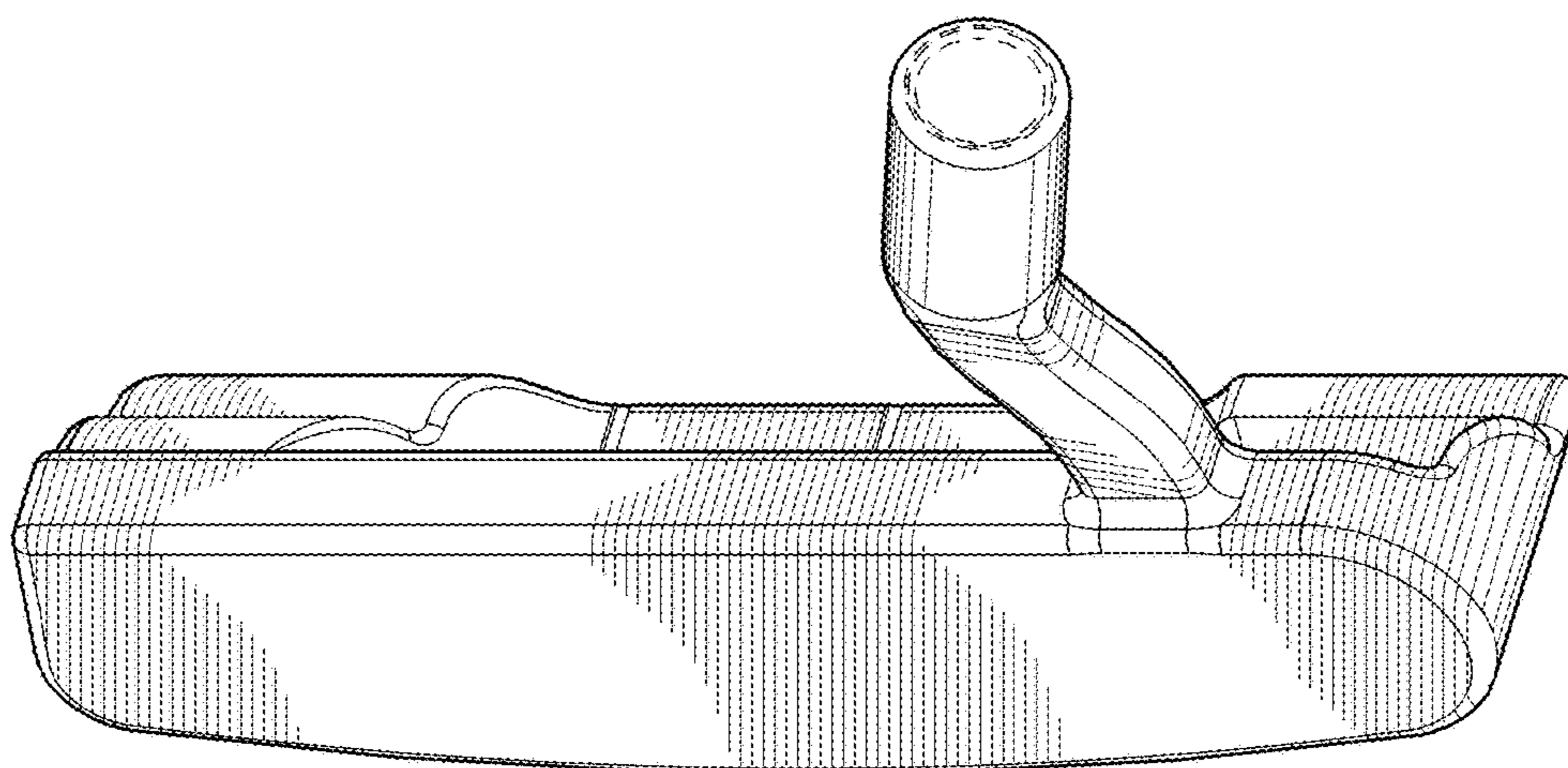
*Fig. 6*



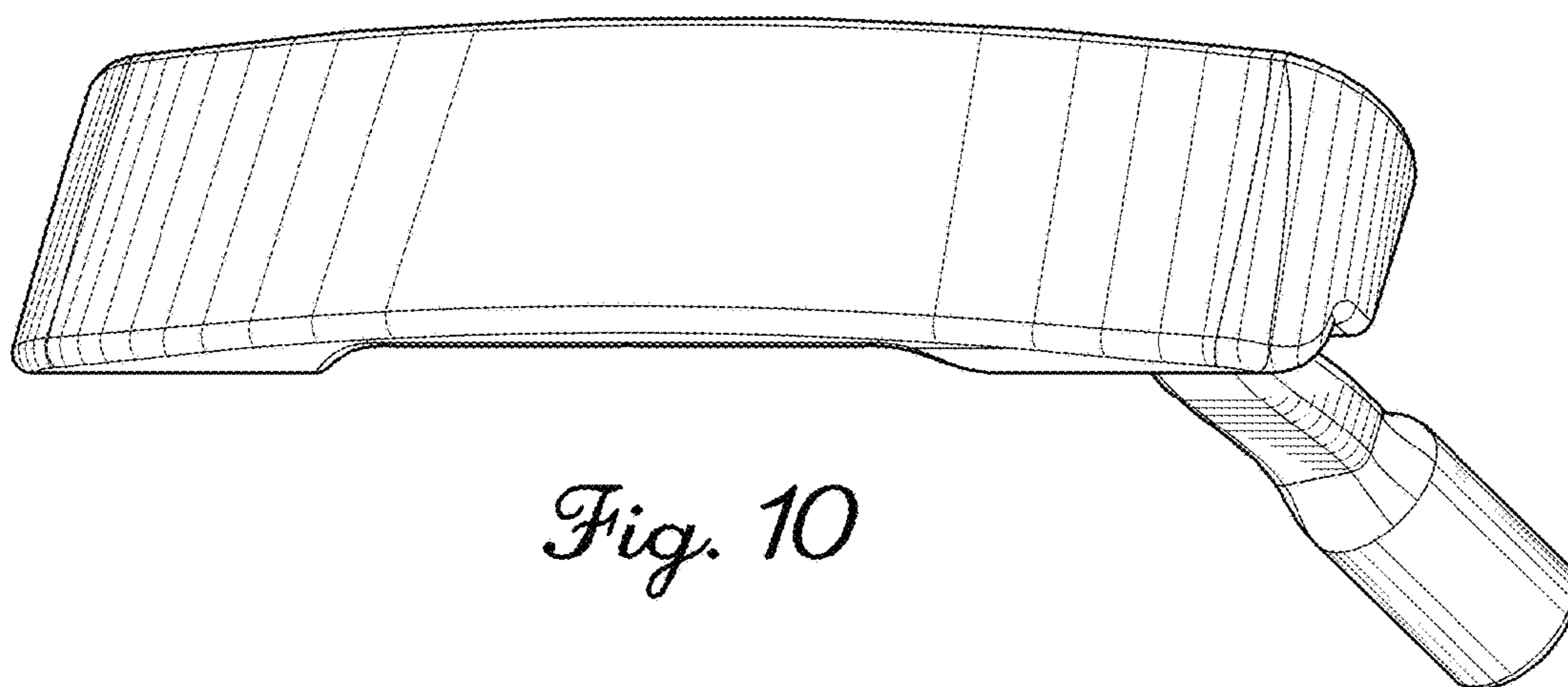
*Fig. 7*



*Fig. 8*



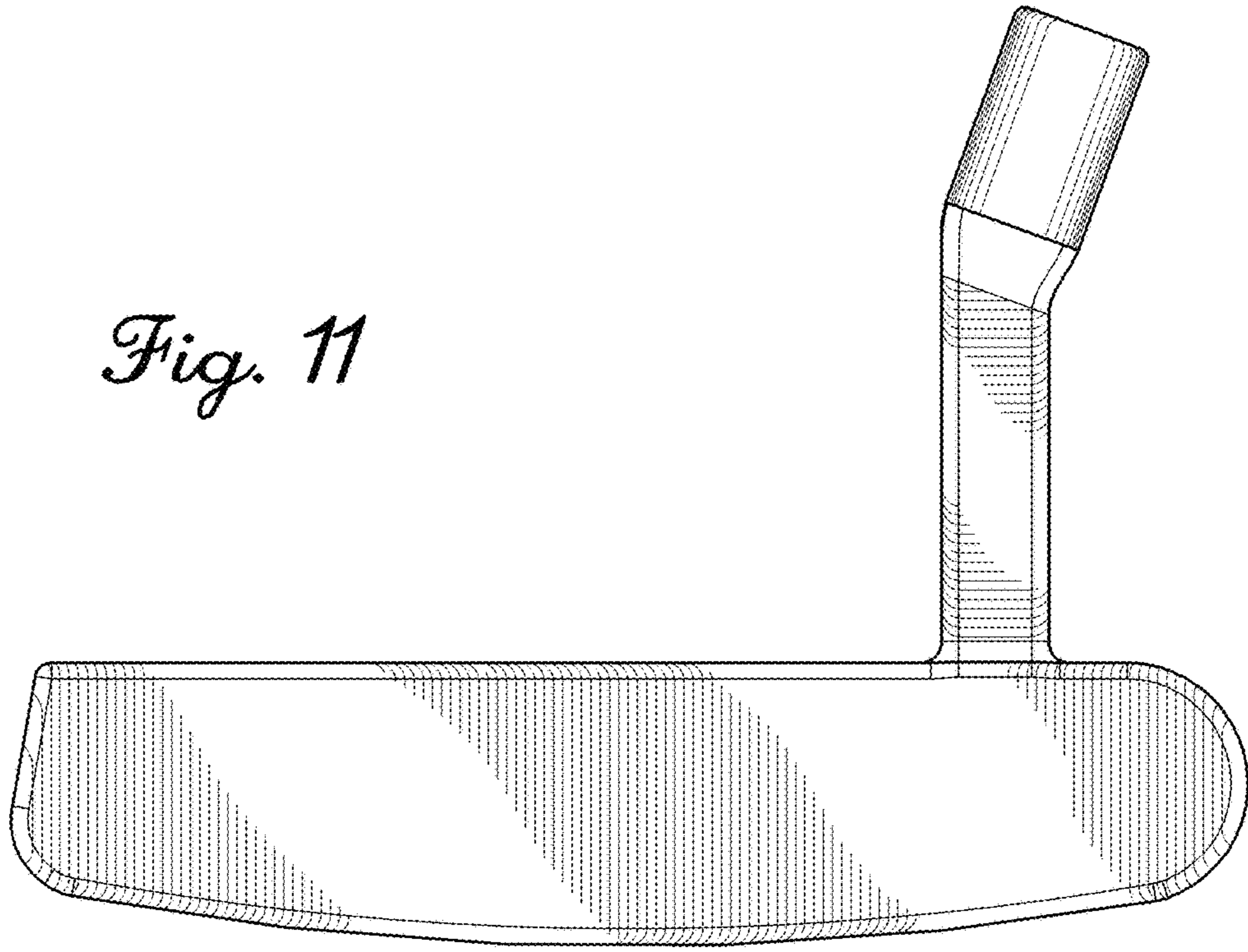
*Fig. 9*



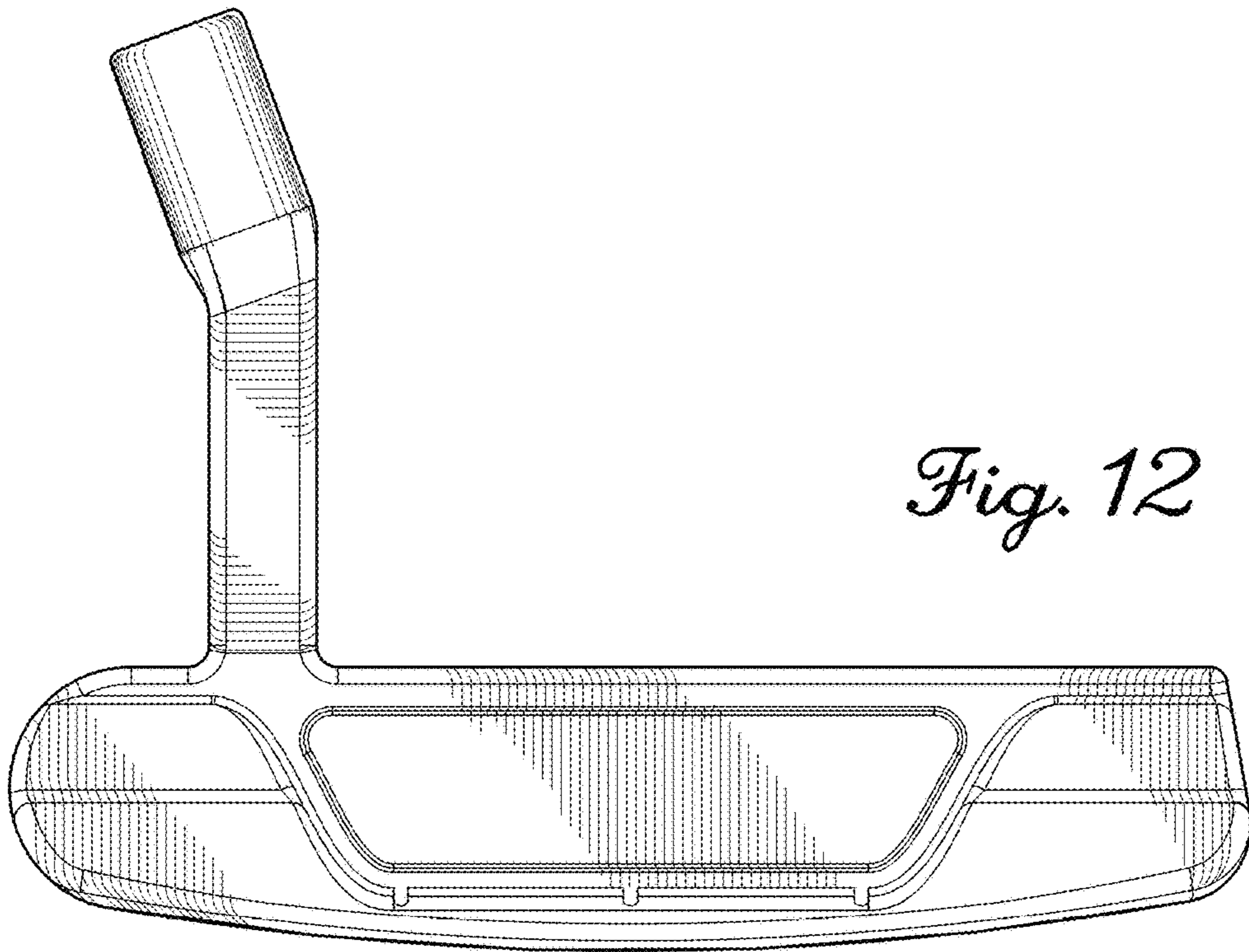
*Fig. 10*



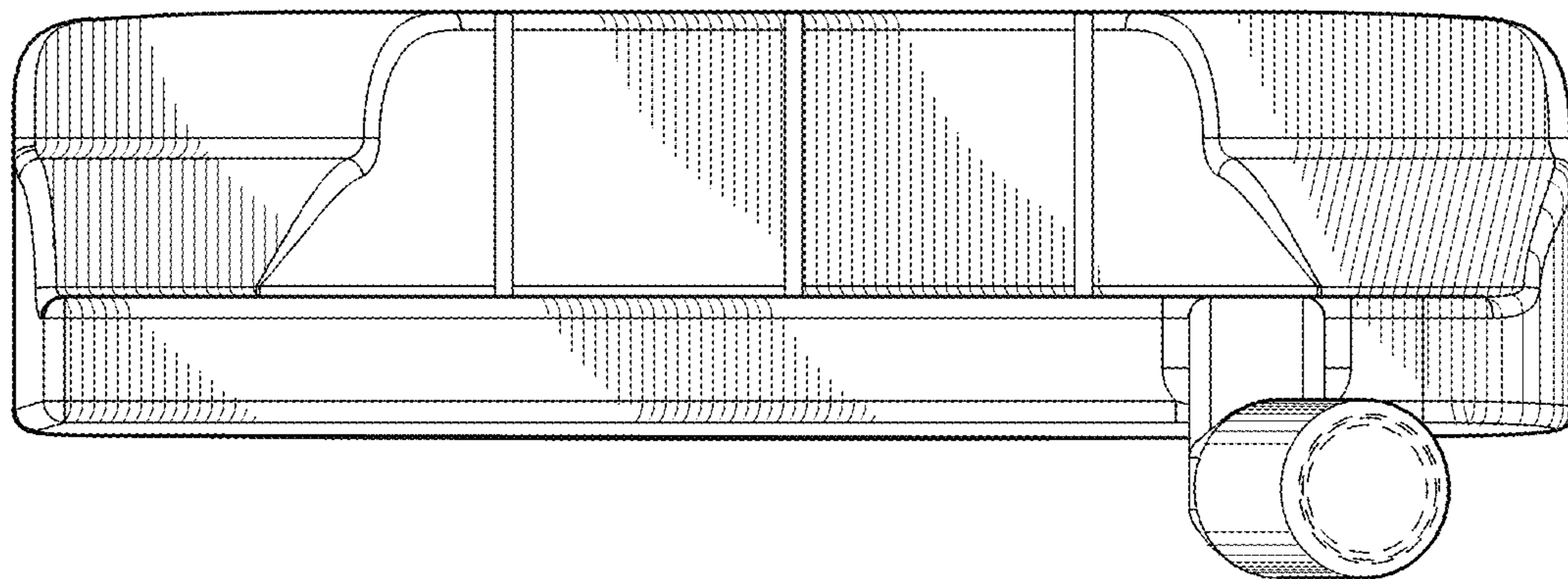
*Fig. 11*



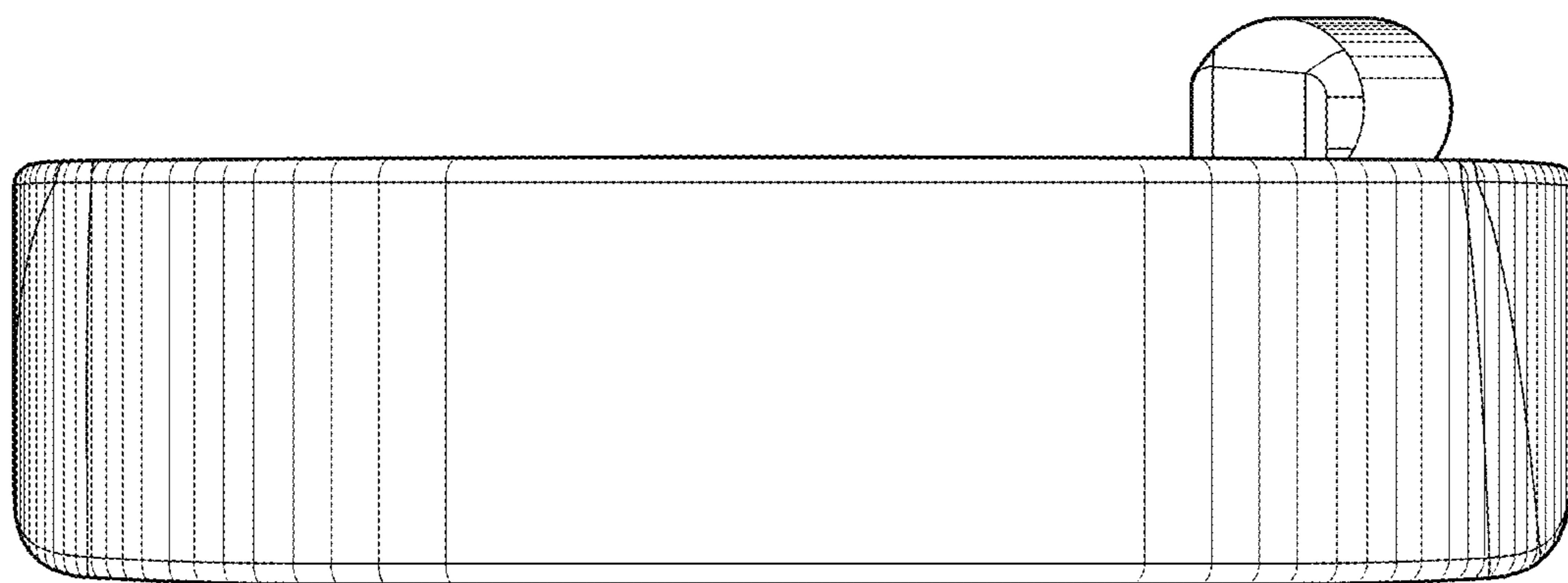
*Fig. 12*



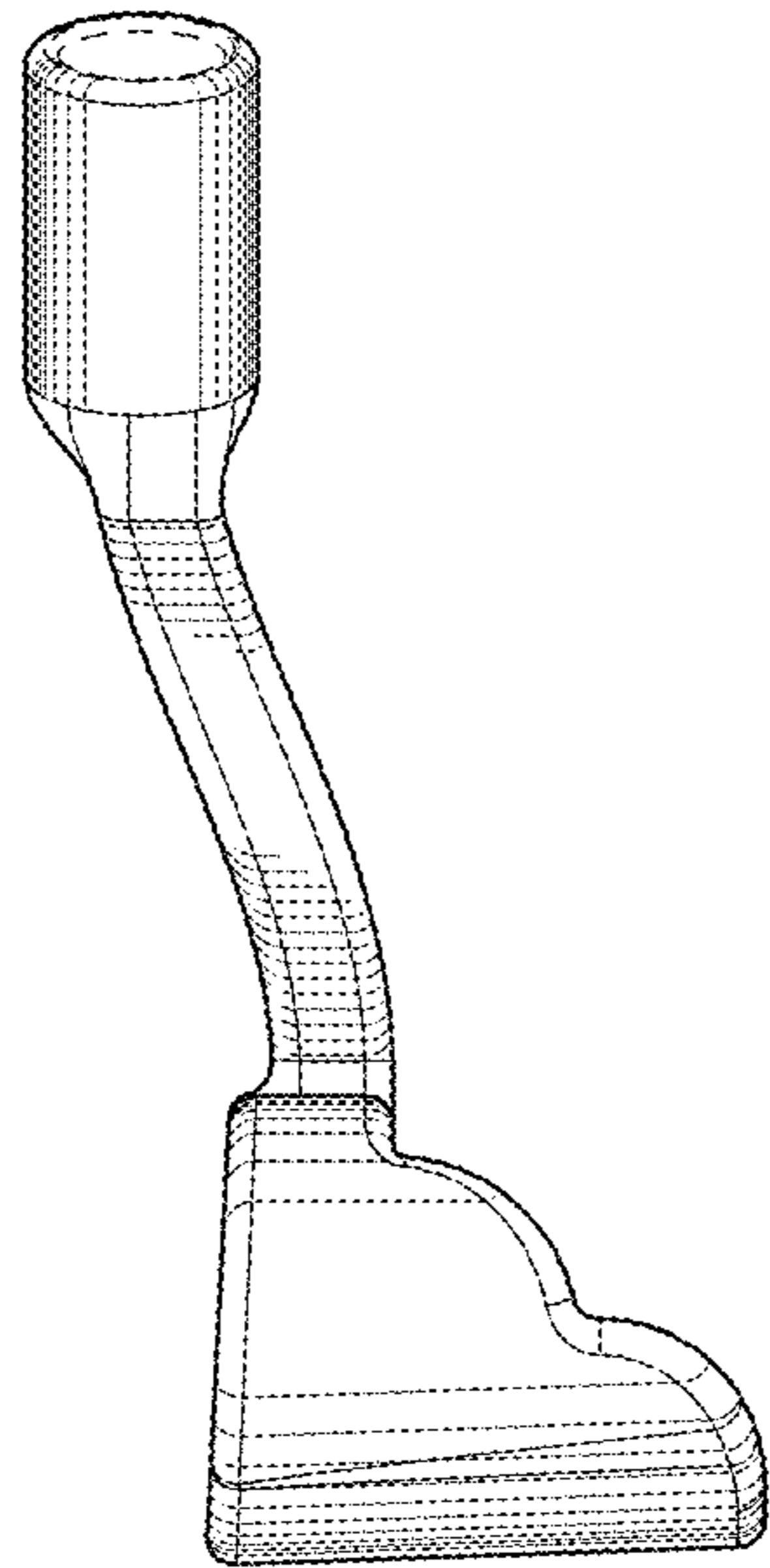




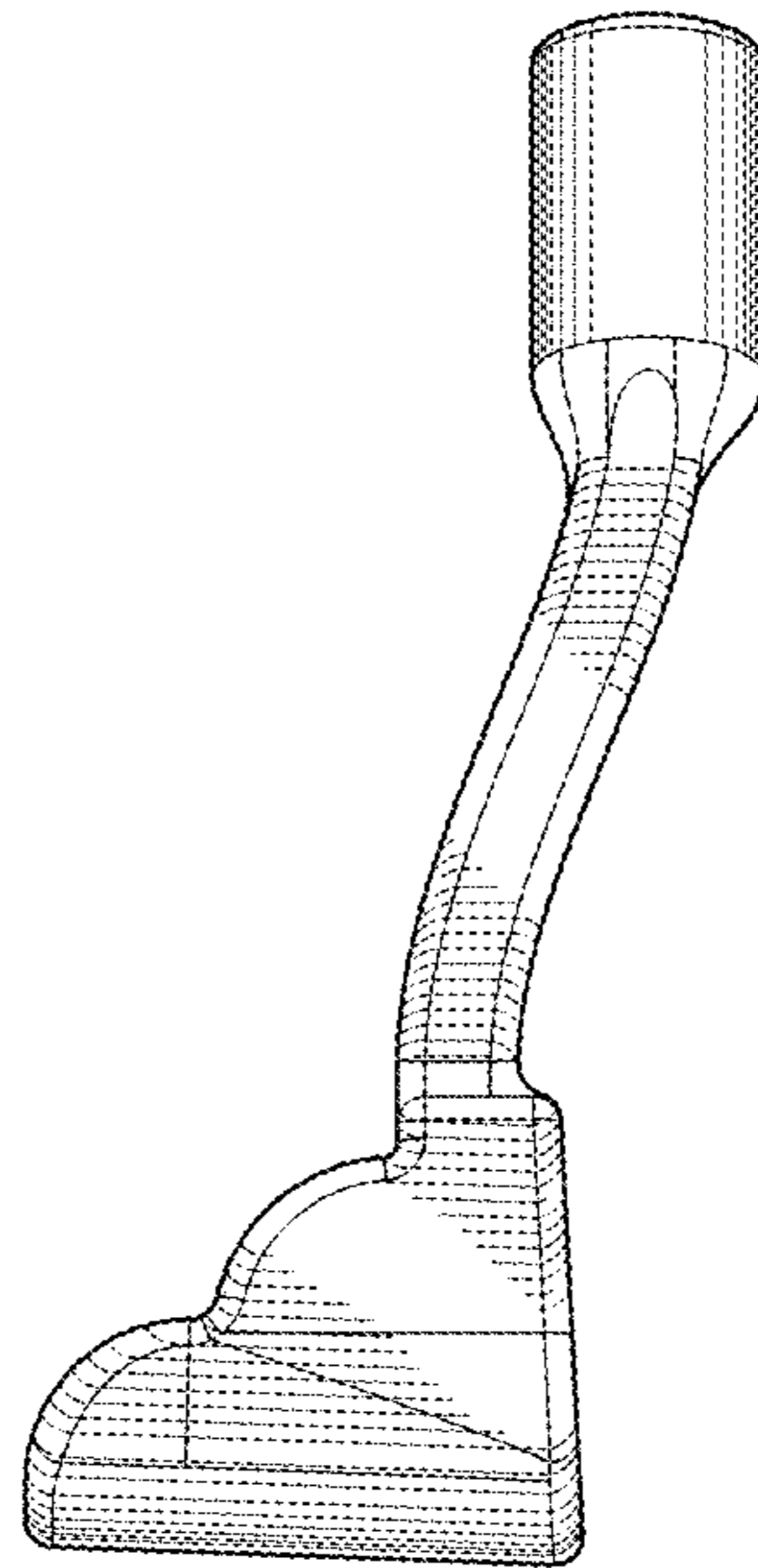
*Fig. 13*



*Fig. 14*



*Fig. 15*



*Fig. 16*