

US00D790009S

(12) **United States Design Patent**
Lo et al.

(10) **Patent No.:** **US D790,009 S**
(45) **Date of Patent:** **** Jun. 20, 2017**

- (54) **BUBBLE MAKER**
- (71) Applicant: **Wing Hing Manufacturing Co. Ltd.,**
Tsuen Wan (HK)
- (72) Inventors: **Wai Chung Lo, Tsuen Wan (HK); Lap**
Shun Lo, Tsuen Wan (HK)
- (73) Assignee: **Wing Hing Manufacturing Co. Ltd.,**
Hong Kong (HK)
- (**) Term: **15 Years**
- (21) Appl. No.: **29/560,580**
- (22) Filed: **Apr. 7, 2016**
- (51) **LOC (10) Cl.** **21-01**
- (52) **U.S. Cl.**
USPC **D21/401**
- (58) **Field of Classification Search**
USPC D21/401, 402, 483, 523, 528; D23/317,
D23/332, 336, 337, 370, 376, 379, 308,
D23/382, 383; 446/15-21
CPC A63H 33/28
See application file for complete search history.

(56) **References Cited**

U.S. PATENT DOCUMENTS

- 2,412,732 A * 12/1946 Holman A63H 33/28
40/408
- D152,841 S * 2/1949 Thompson et al. D23/336
- D153,814 S * 5/1949 Margolis D20/32
- 2,631,217 A * 3/1953 Aufiero F24H 3/0417
338/303
- 2,736,988 A * 3/1956 Fisher A63H 33/28
446/17
- 4,044,496 A * 8/1977 Jernstrom A63H 33/28
446/16
- 4,128,962 A * 12/1978 Anderson A63H 33/28
446/15

- 4,133,138 A * 1/1979 Coons A63H 33/28
446/16
- D359,116 S * 6/1995 Marvin D23/332
- D397,192 S * 8/1998 Chiu D23/328
- 6,077,143 A * 6/2000 Gutierrez A63H 33/28
446/15
- D490,861 S * 6/2004 Buzzelli D21/401
- D642,629 S * 8/2011 Lo D21/401
- D643,477 S * 8/2011 Lo D21/401
- D678,421 S * 3/2013 Hedeem, Jr. D21/401
- D717,880 S * 11/2014 Chen D21/401
- 2006/0052028 A1* 3/2006 Thai A63H 33/28
446/16
- 2008/0274662 A1* 11/2008 Lo A63H 33/28
446/16
- 2012/0220184 A1* 8/2012 Orem A63H 33/28
446/16

FOREIGN PATENT DOCUMENTS

- CN 3584745 * 11/2006
- CN 303070501 * 1/2015
- KR 300756986.0000 * 8/2014

* cited by examiner

Primary Examiner — Catherine Tuttle
(74) *Attorney, Agent, or Firm* — Ntellect Law, P.C.

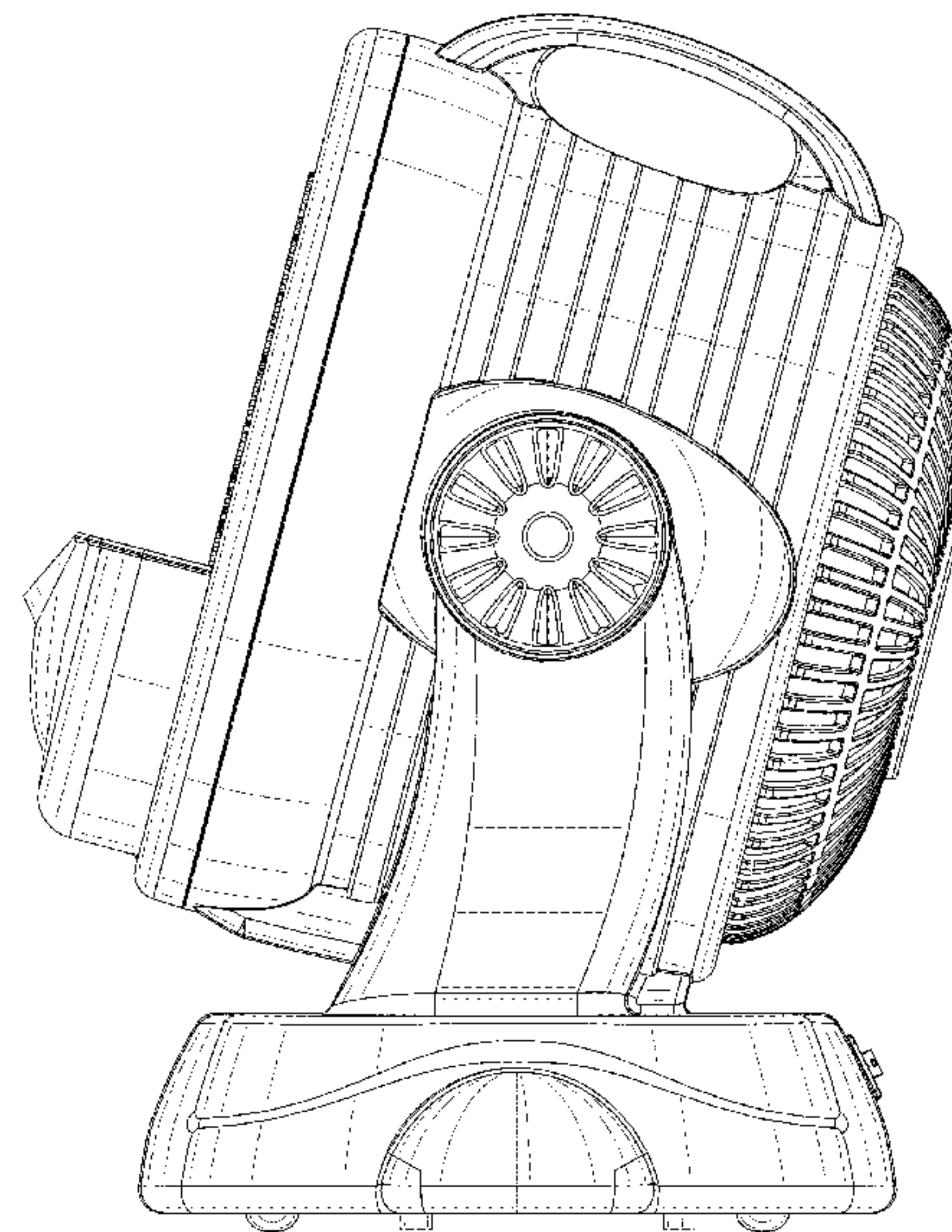
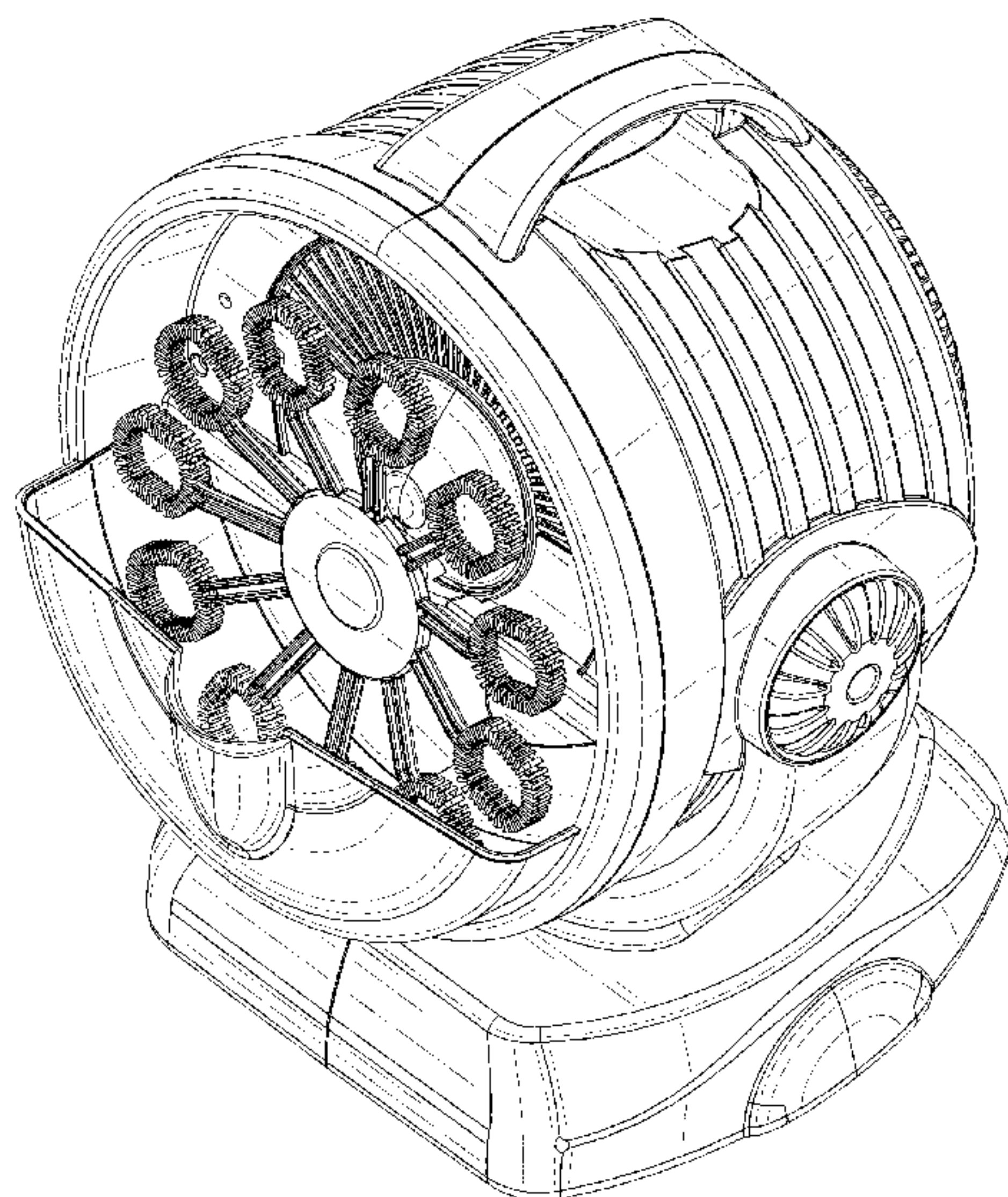
(57) **CLAIM**

The ornamental design for a bubble maker, as shown and described.

DESCRIPTION

FIG. 1 is a perspective view of a bubble maker showing our new design;
FIG. 2 is a front elevation view thereof;
FIG. 3 is a back elevation view thereof;
FIG. 4 is a left side elevation view thereof;
FIG. 5 is a right side elevation view thereof;
FIG. 6 is a top plan view thereof; and,
FIG. 7 is a bottom plan view thereof.

1 Claim, 7 Drawing Sheets



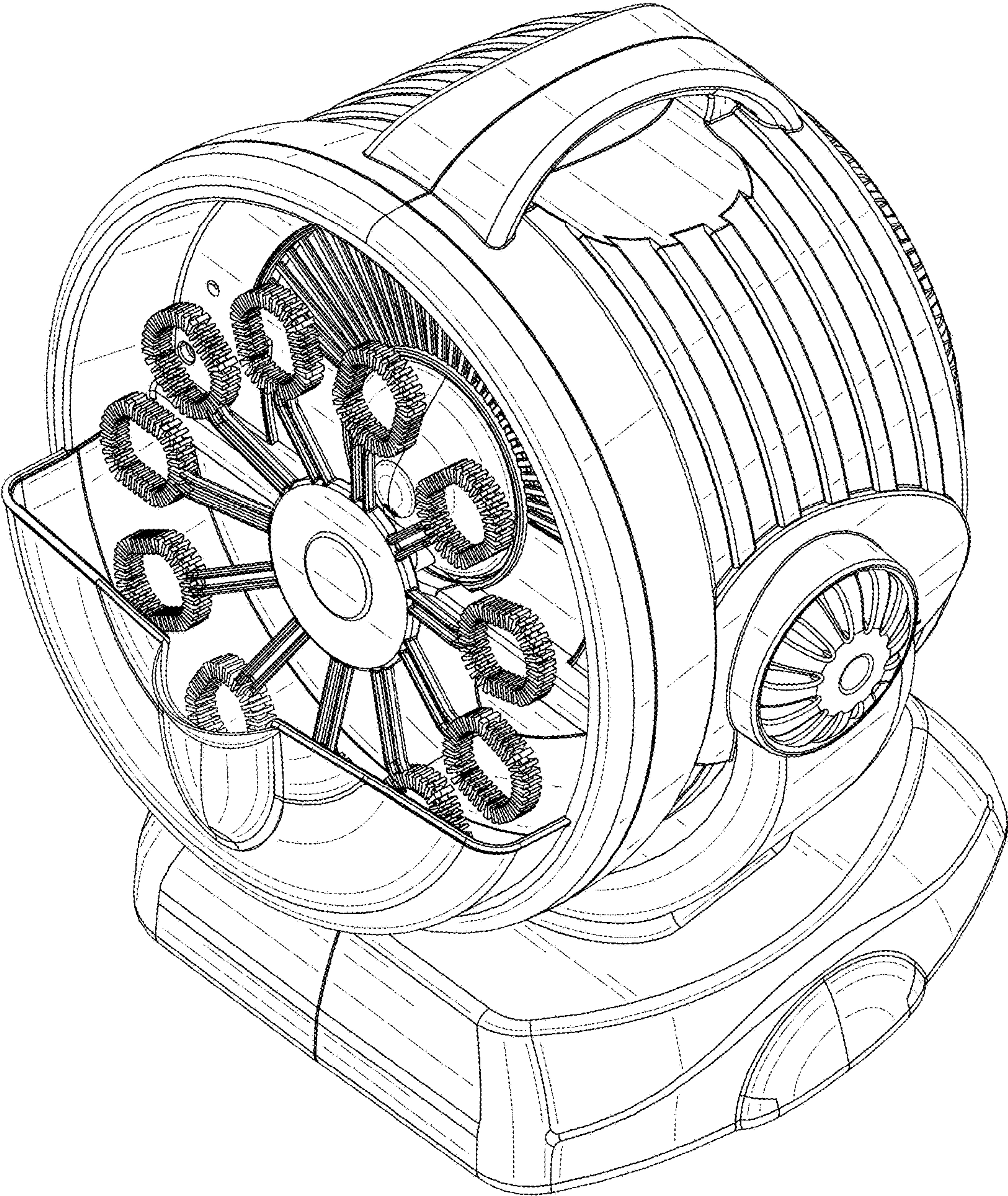


FIG. 1

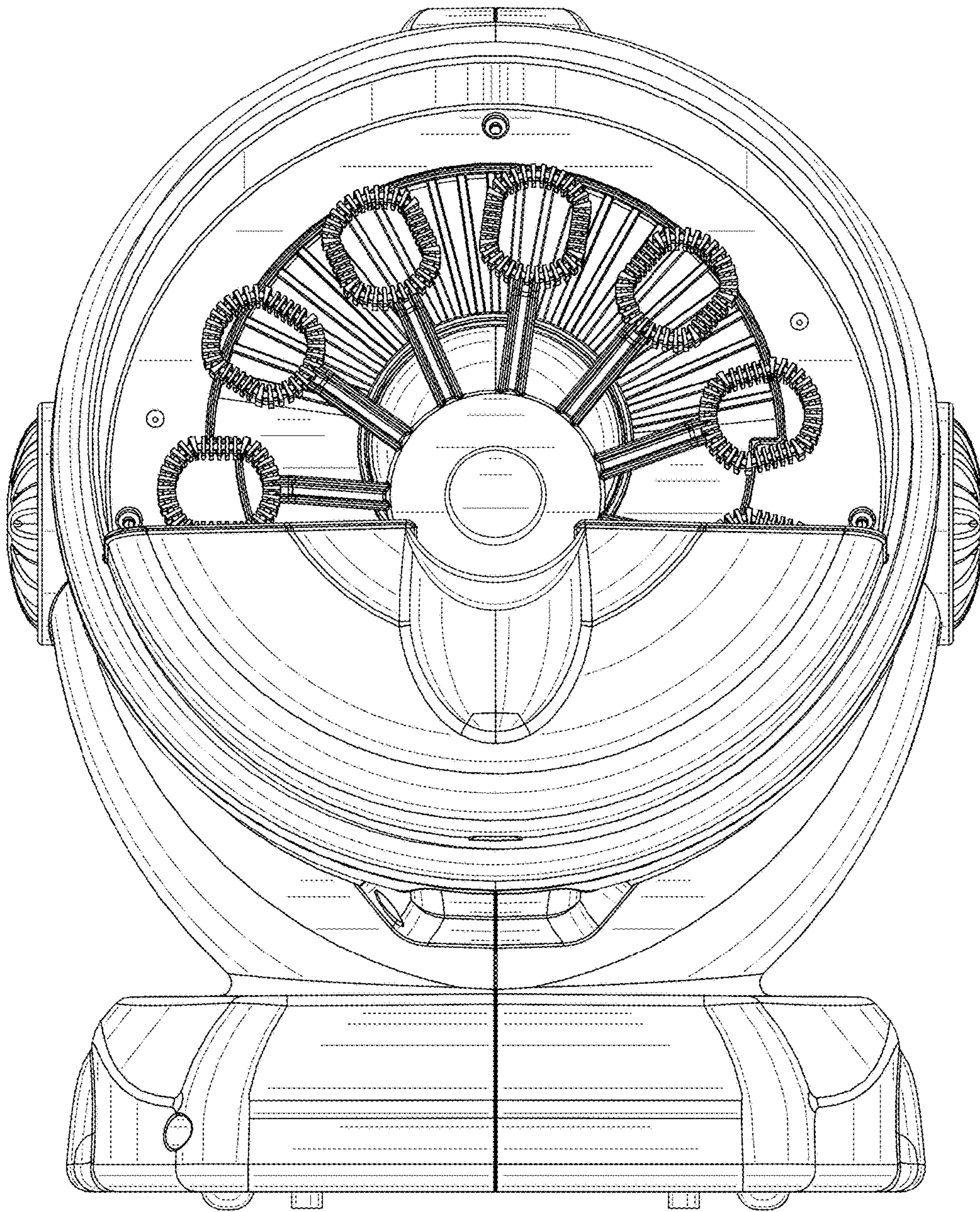


FIG. 2

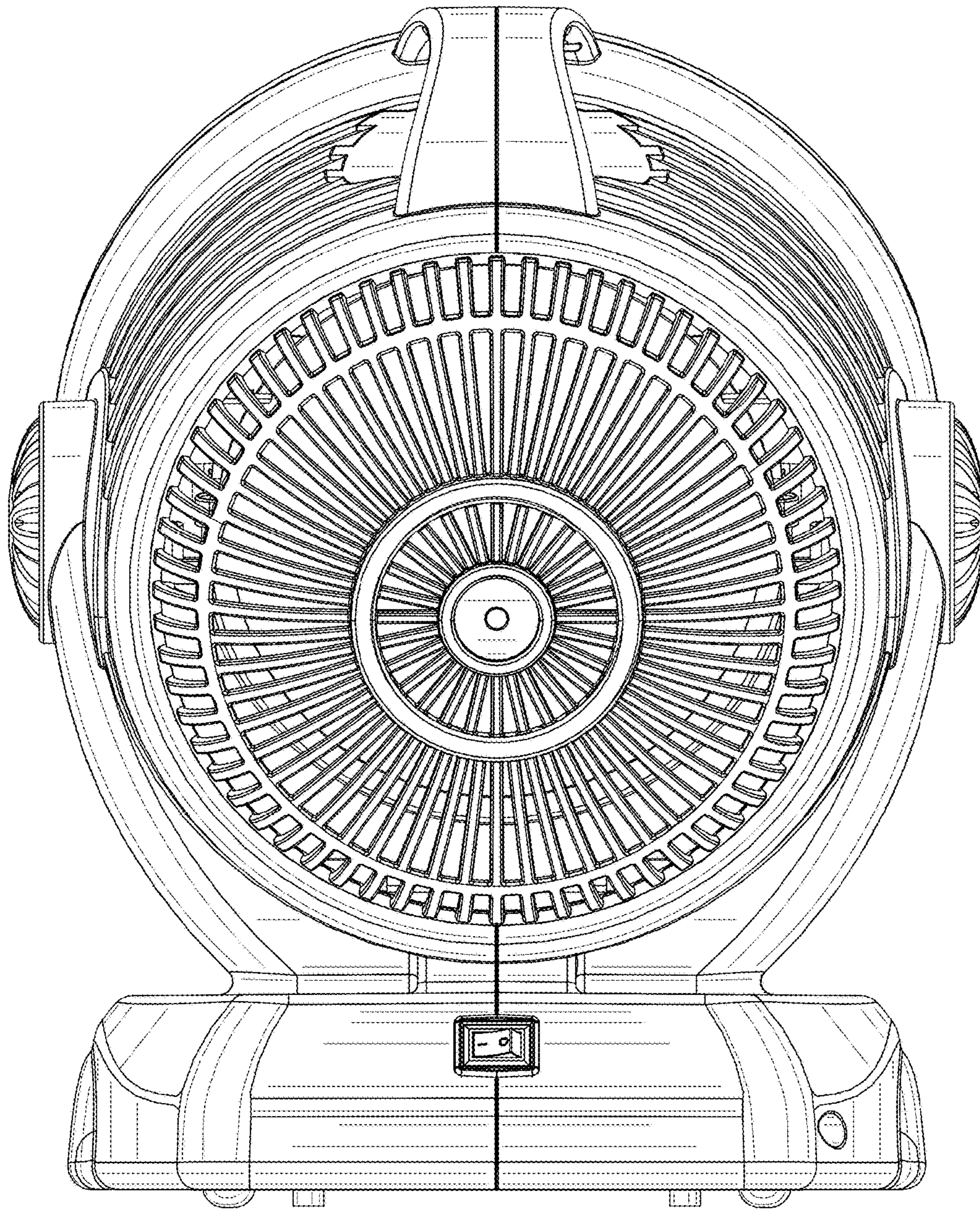


FIG. 3

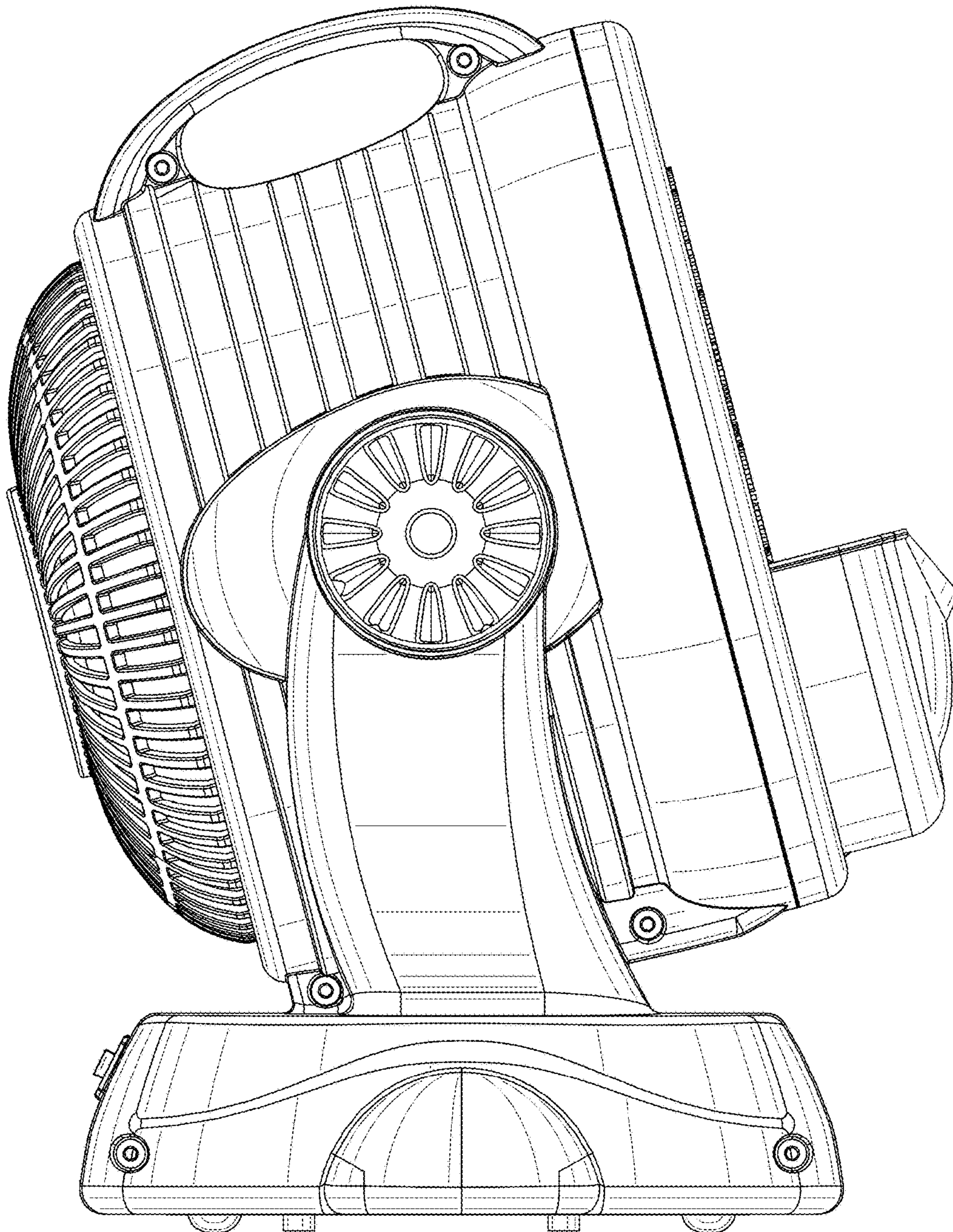


FIG. 4

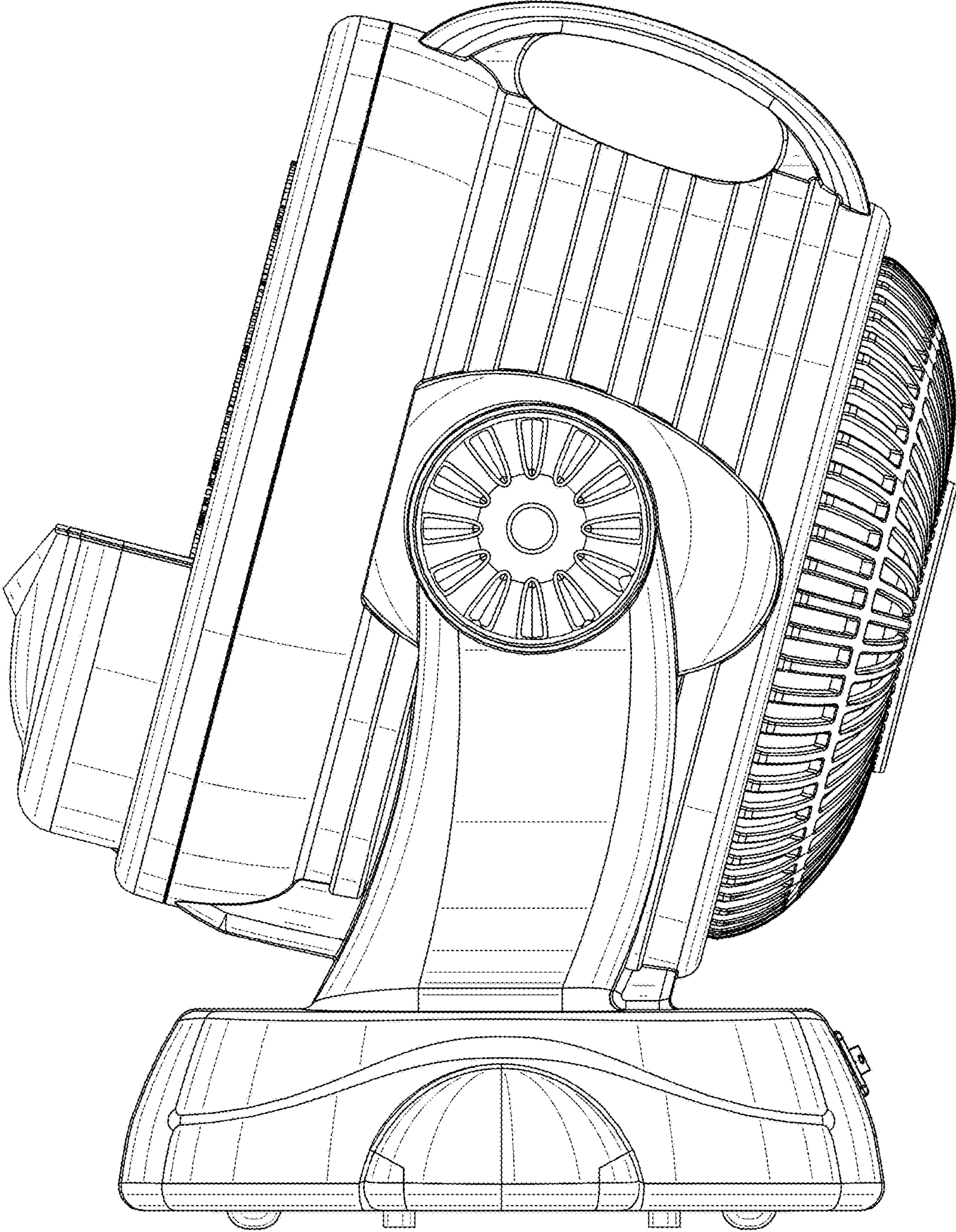


FIG. 5

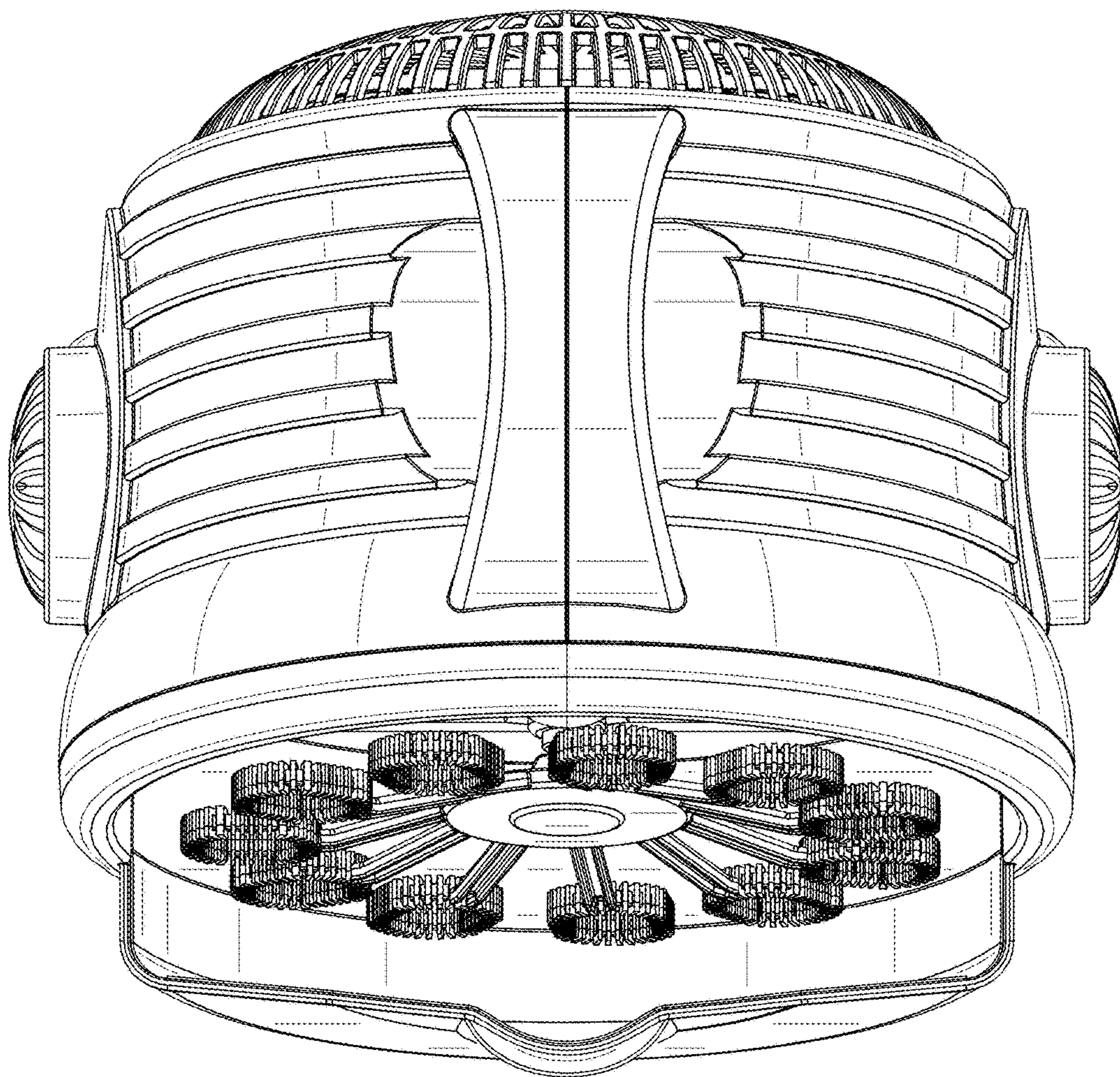


FIG. 6

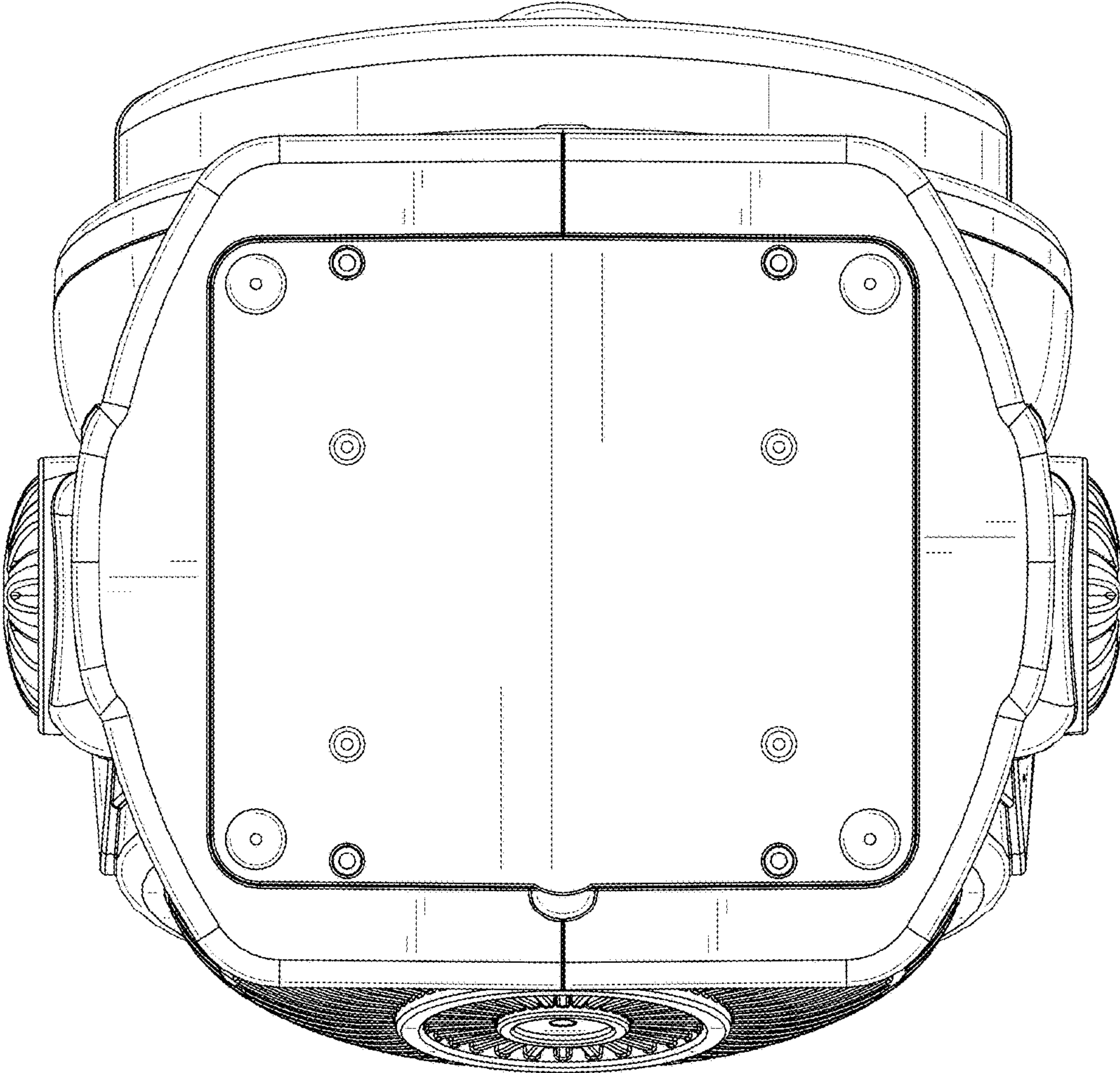


FIG. 7