



US00D790007S

(12) **United States Design Patent**  
**Knight**

(10) **Patent No.:** **US D790,007 S**

(45) **Date of Patent:** **\*\* Jun. 20, 2017**

(54) **PERSONALIZABLE VIDEO CARD**

(71) Applicant: **Frederick Knight**, Henderson, NV  
(US)

(72) Inventor: **Frederick Knight**, Henderson, NV  
(US)

(\*\*) Term: **15 Years**

(21) Appl. No.: **29/578,002**

(22) Filed: **Sep. 16, 2016**

**Related U.S. Application Data**

(63) Continuation of application No. 14/938,100, filed on  
Nov. 11, 2015, now abandoned.

(51) **LOC (10) Cl.** ..... **19-01**

(52) **U.S. Cl.**  
USPC ..... **D19/1**

(58) **Field of Classification Search**

USPC .... D19/1-10, 20-34, 86; 40/124.01-124.15,  
40/672, 661, 726, 427, 445-457, 463;  
283/72, 74-75, 63.1; 206/449, 308.3,  
206/472; D21/385; 229/92, 92.1, 300;  
462/64-66, 17, 55; 345/87, 904;  
434/317, 169, 362, 185, 308, 368, 309,  
434/311, 318, 320, 321; 281/3.1, 15.1,  
281/19.1, 21.1, 29, 38; D14/371, 374,  
D14/435; 248/444.1  
CPC ..... B42D 25/00; B42D 25/23; B42D 25/26;  
B42D 25/29; B42D 25/30; B42D 25/285;  
B42D 15/022; B42D 15/027; B42D  
15/045; B42D 15/042; B42D 15/02;  
B42D 15/04; B42D 2033/02; B42D  
2033/04; B42D 2033/10; B42D 2033/16;  
B42D 2033/18; B42D 2033/20; B42D  
2033/22; B42D 2033/28; B42D 2033/30;  
G09F 27/00; G09F 1/00; A63H 3/28  
See application file for complete search history.

(56) **References Cited**

**U.S. PATENT DOCUMENTS**

D341,850 S *	11/1993	Reddock .....	D19/1
D503,285 S *	3/2005	Chen .....	D10/2
D547,070 S *	7/2007	Webster .....	D6/300
D580,488 S *	11/2008	Estevez .....	D19/2
D616,929 S *	6/2010	Krivanek .....	D19/1
D632,734 S *	2/2011	Qiao .....	D19/1
D647,559 S *	10/2011	Clegg .....	D19/1
D658,898 S *	5/2012	DiNello .....	D6/300
D659,754 S *	5/2012	Rossiter .....	D19/1

(Continued)

*Primary Examiner* — Abraham T Bahta

(74) *Attorney, Agent, or Firm* — Plager Schack LLP

(57) **CLAIM**

The ornamental design for a personalizable video card, as  
shown and described.

**DESCRIPTION**

FIG. 1 is a front perspective view of a personalizable video  
card showing the new design in accordance with an embodi-  
ment;

FIG. 2 is a rear perspective view of the personalizable video  
card of FIG. 1;

FIG. 3 is a front view of the personalizable video card of  
FIG. 1;

FIG. 4 is a rear view of the personalizable video card of FIG.  
1;

FIG. 5 is a left side view of the personalizable video card of  
FIG. 1;

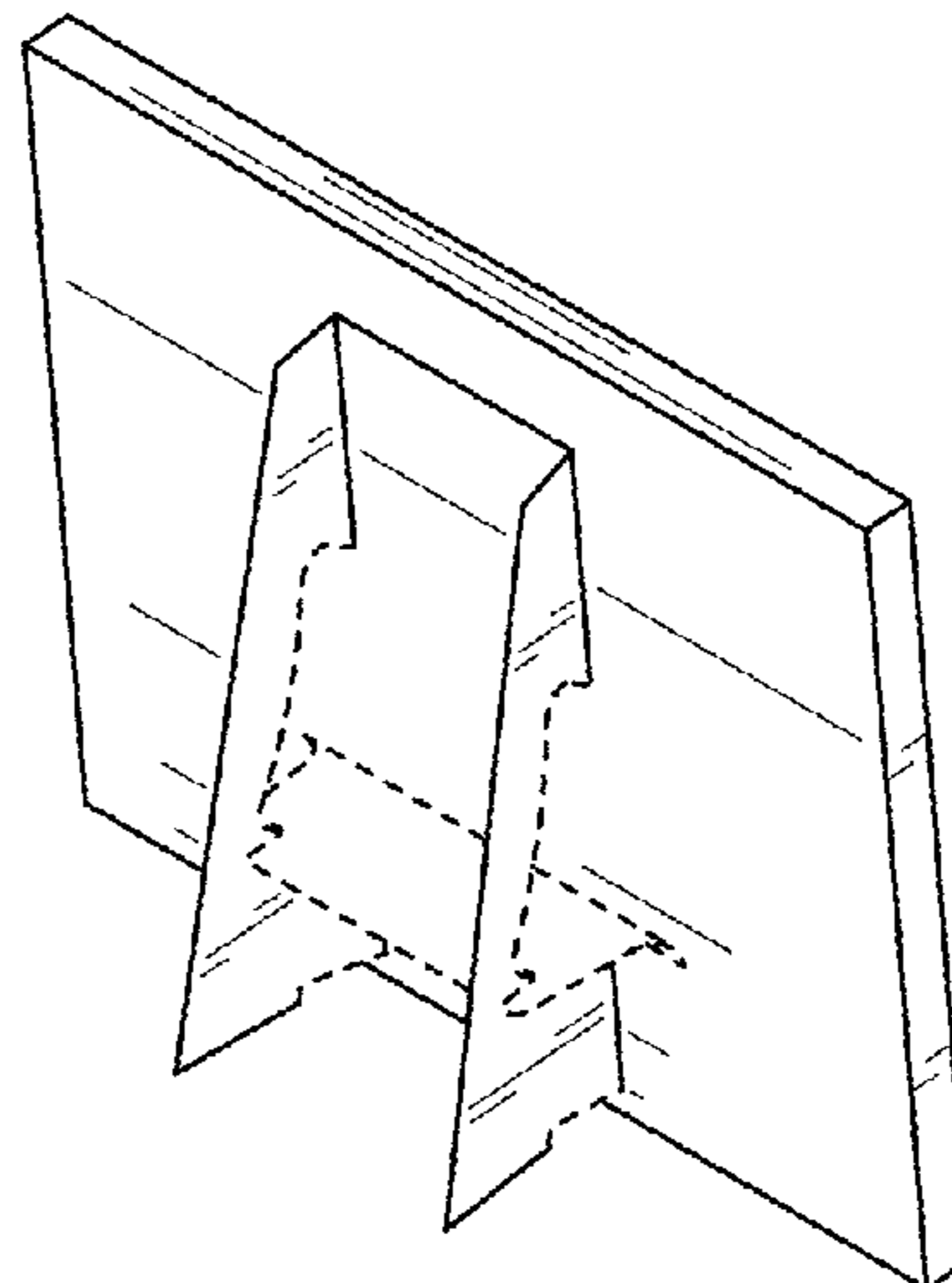
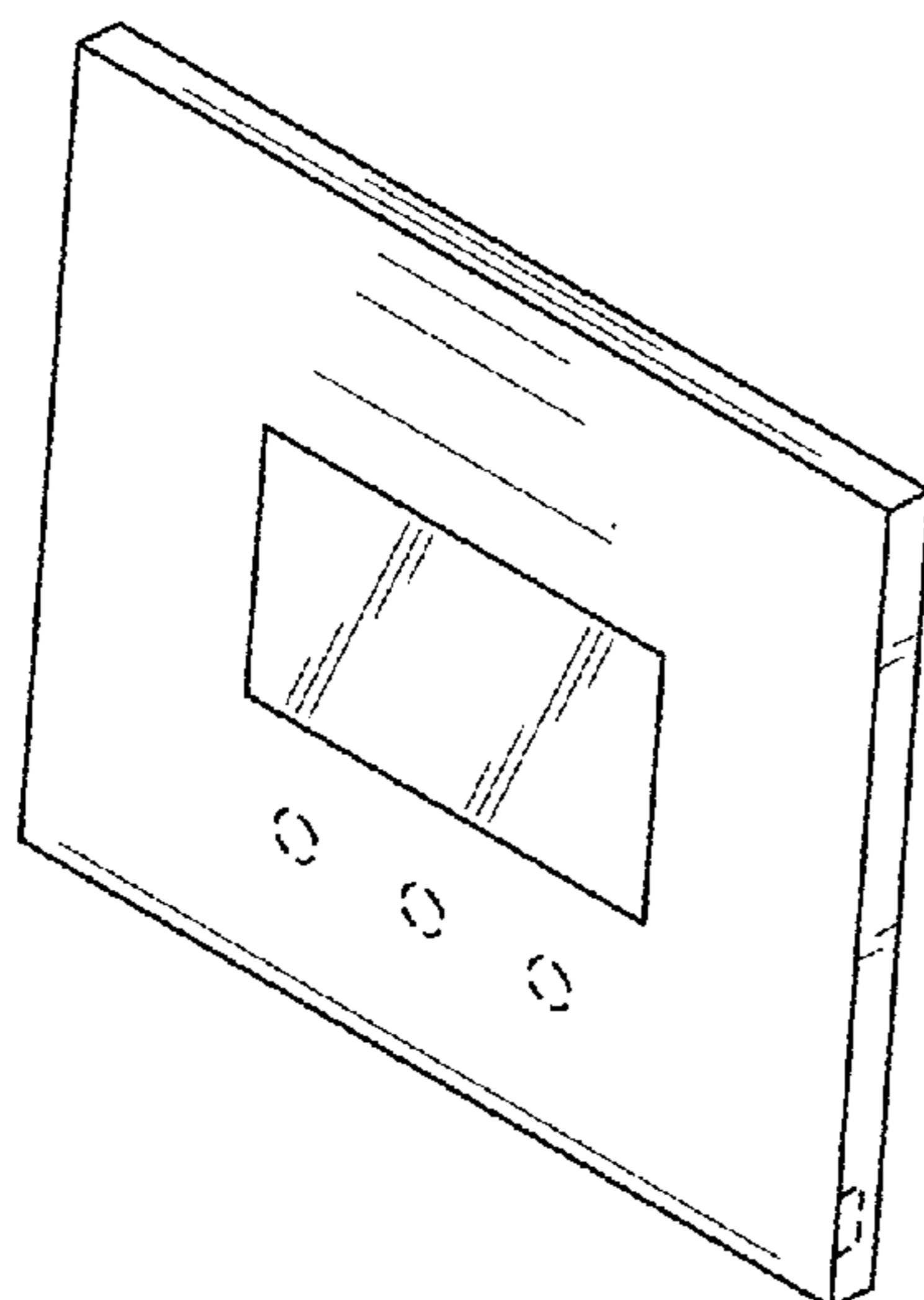
FIG. 6 is a right side view of the personalizable video card  
of FIG. 1;

FIG. 7 is top view of personalizable video card of FIG. 1;  
and,

FIG. 8 is a bottom view of the personalizable video card of  
FIG. 1.

The broken lines shown represent unclaimed subject matter  
and form no part of the claimed design.

**1 Claim, 3 Drawing Sheets**



(56)

**References Cited**

U.S. PATENT DOCUMENTS

D731,190 S \* 6/2015 Vieira ..... D6/300  
D762,262 S \* 7/2016 Richardson ..... D19/1  
D771,744 S \* 11/2016 Lyon ..... D19/2

\* cited by examiner

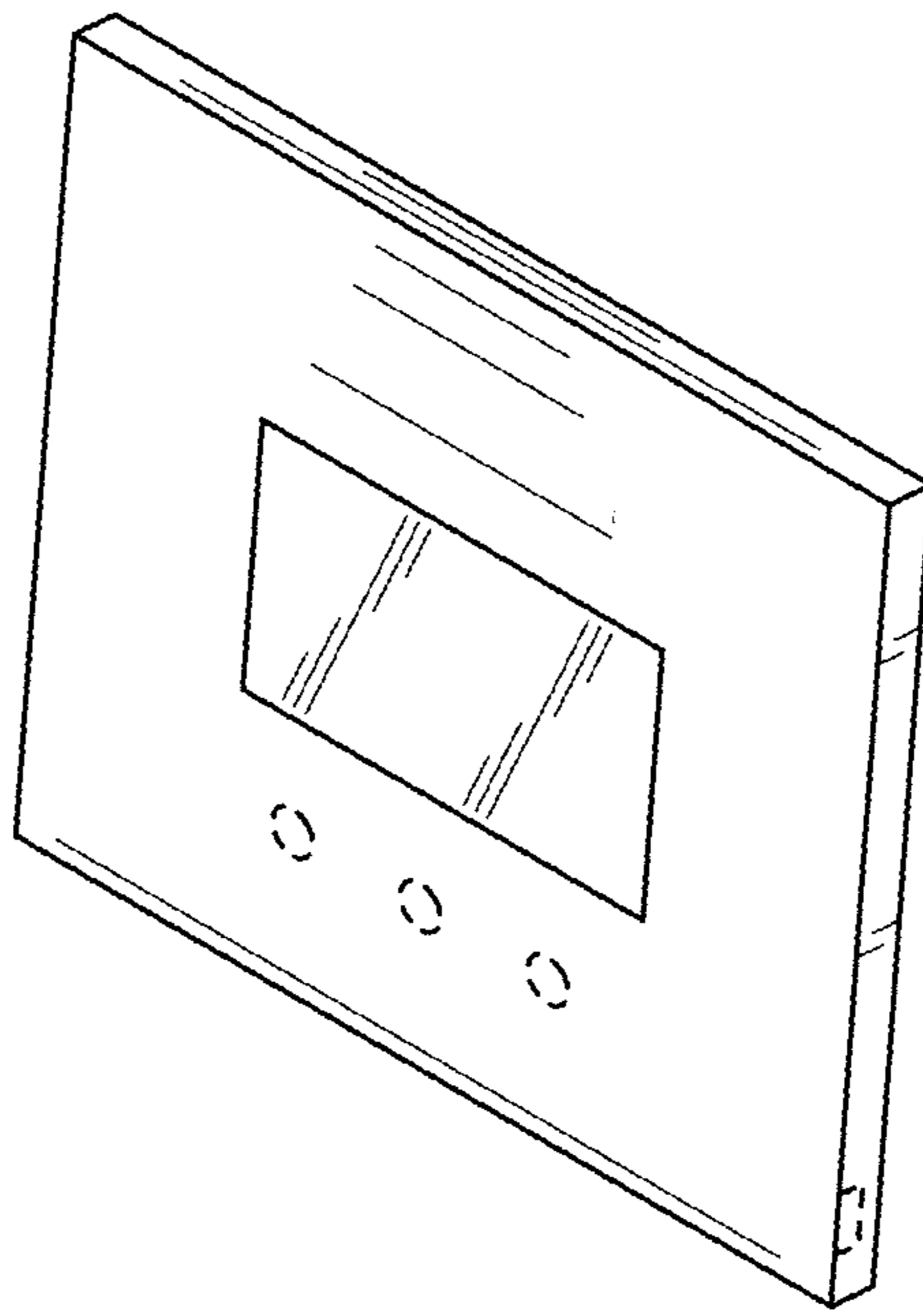


FIG. 1

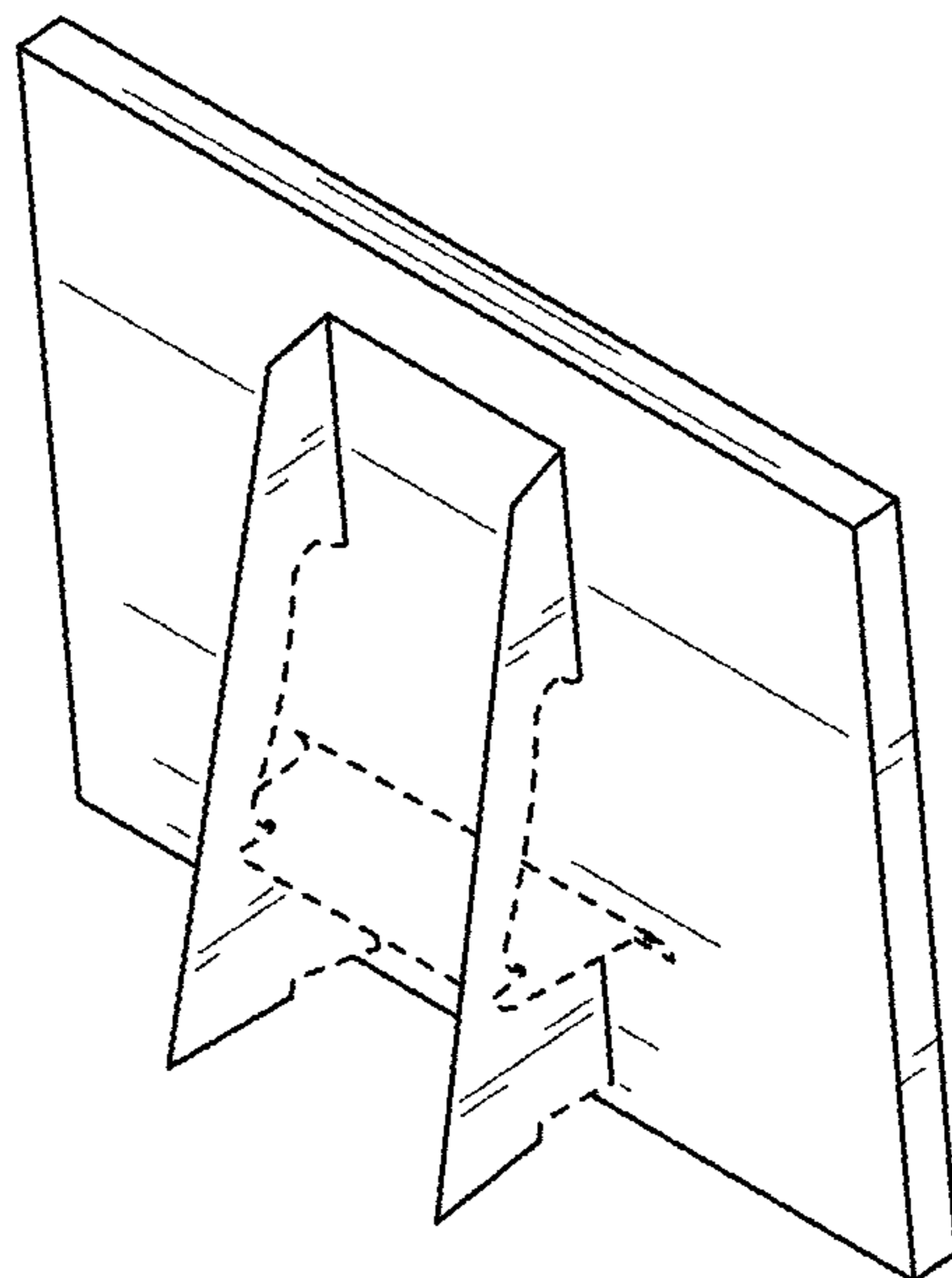


FIG. 2

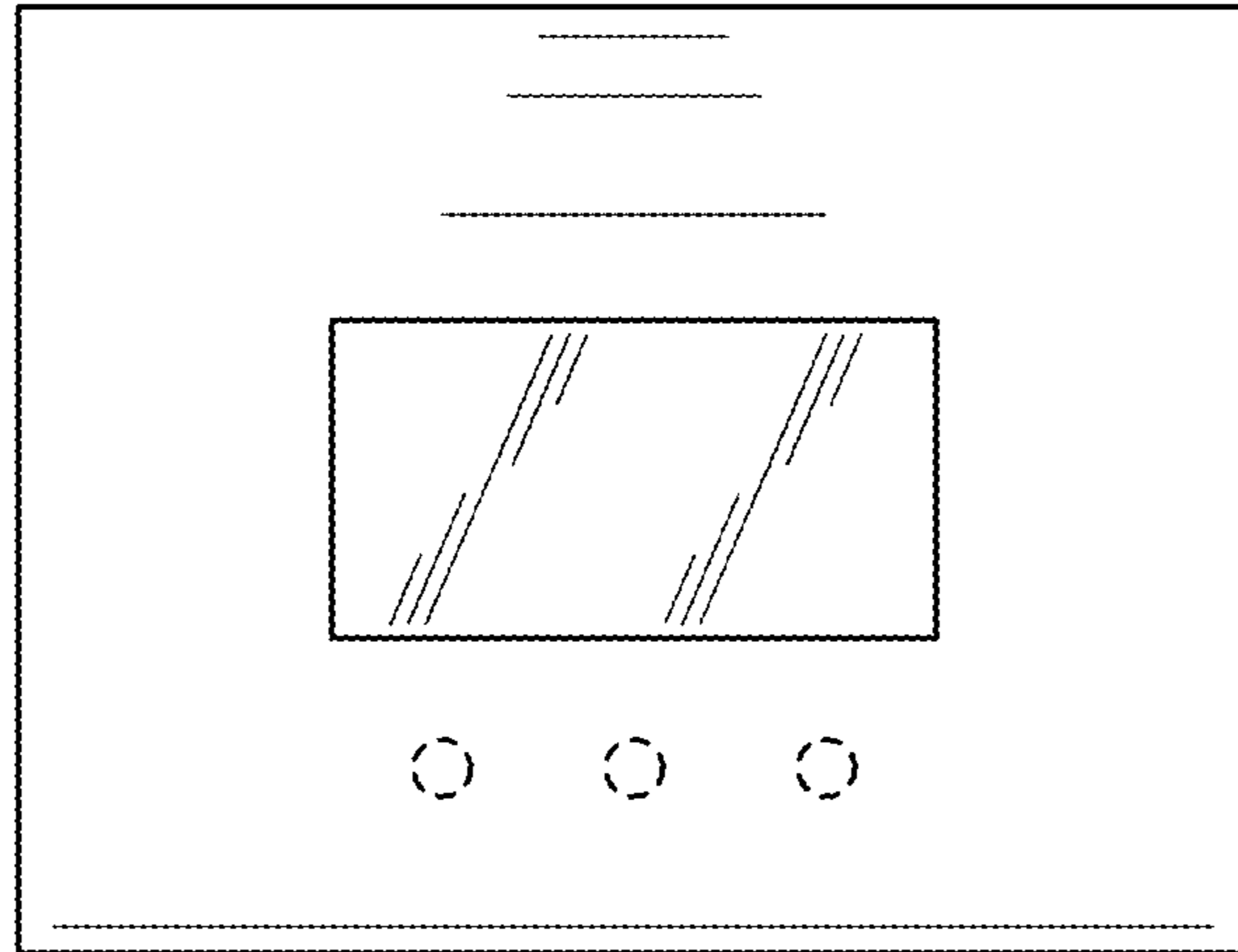


FIG. 3

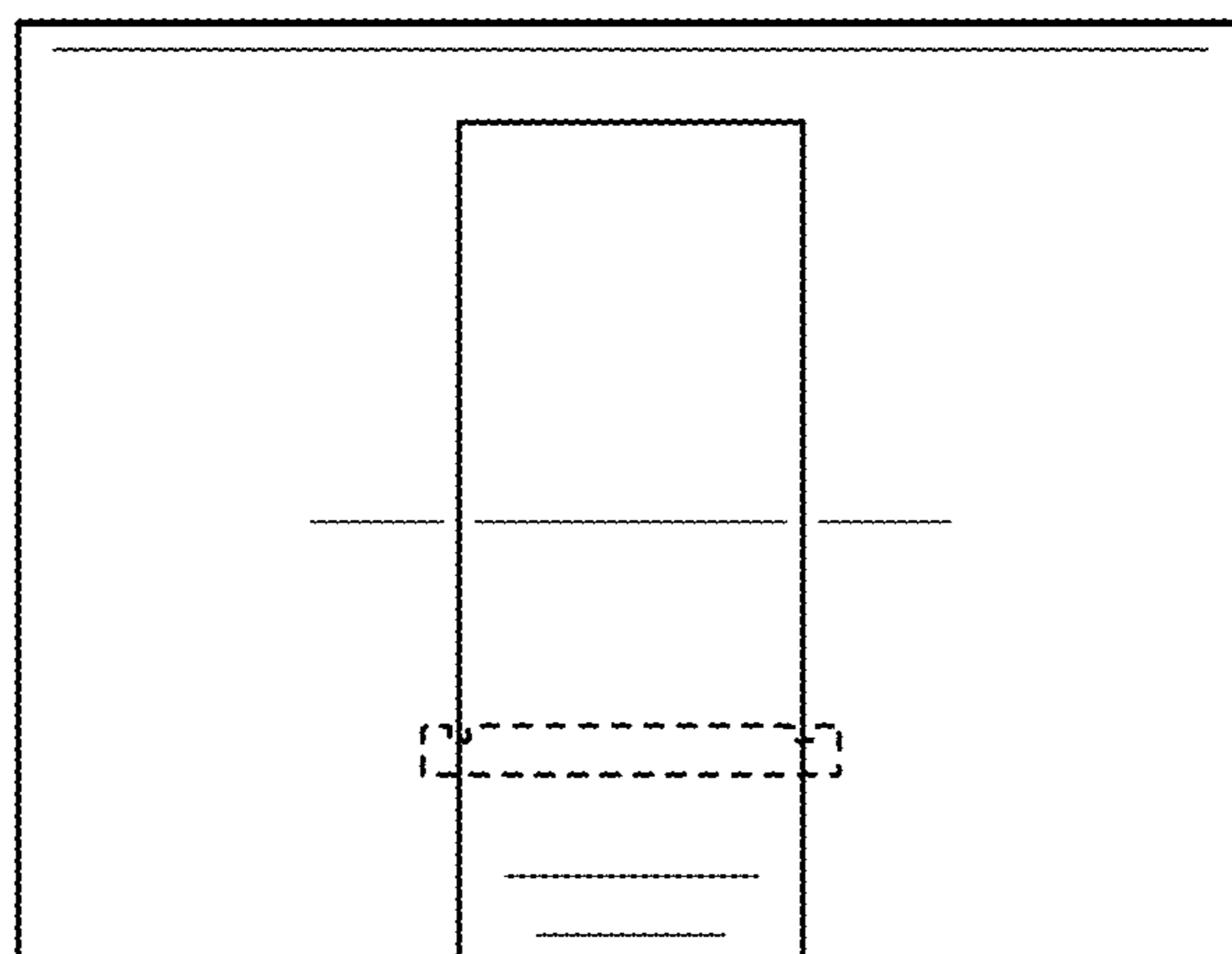


FIG. 4

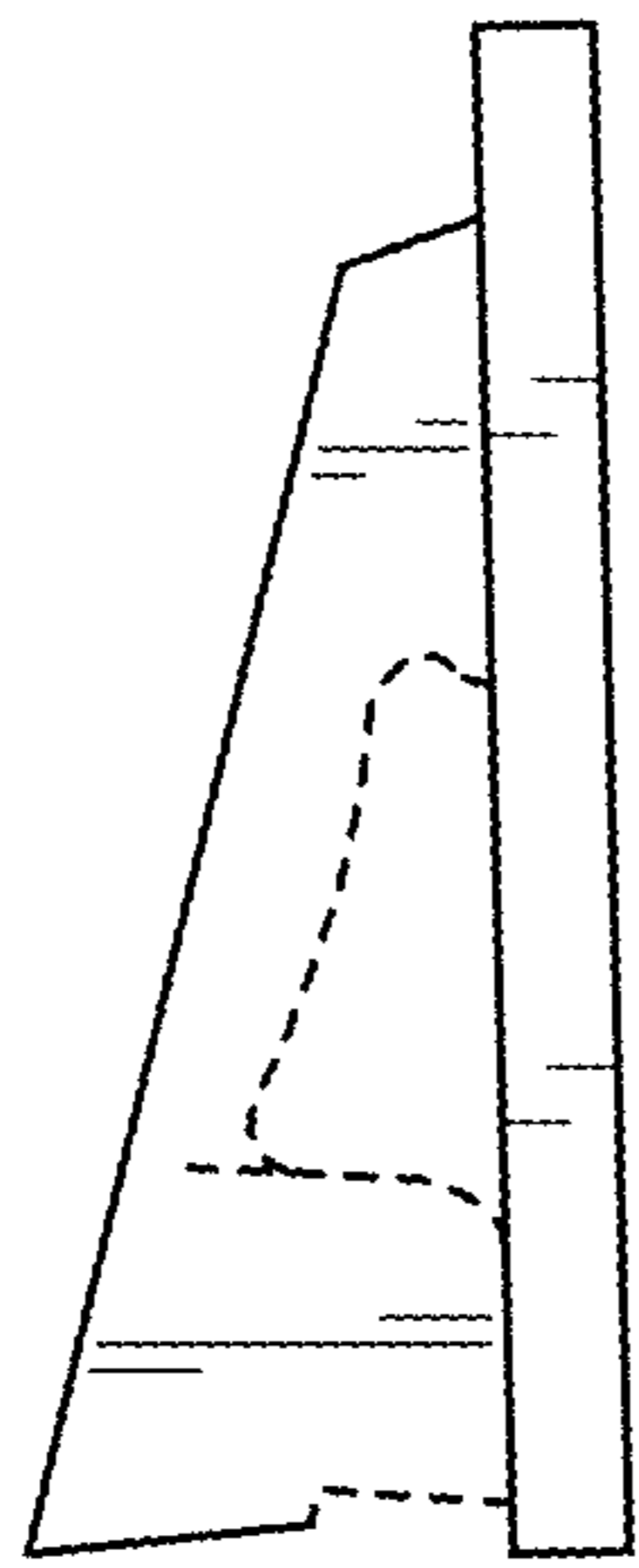


FIG. 5

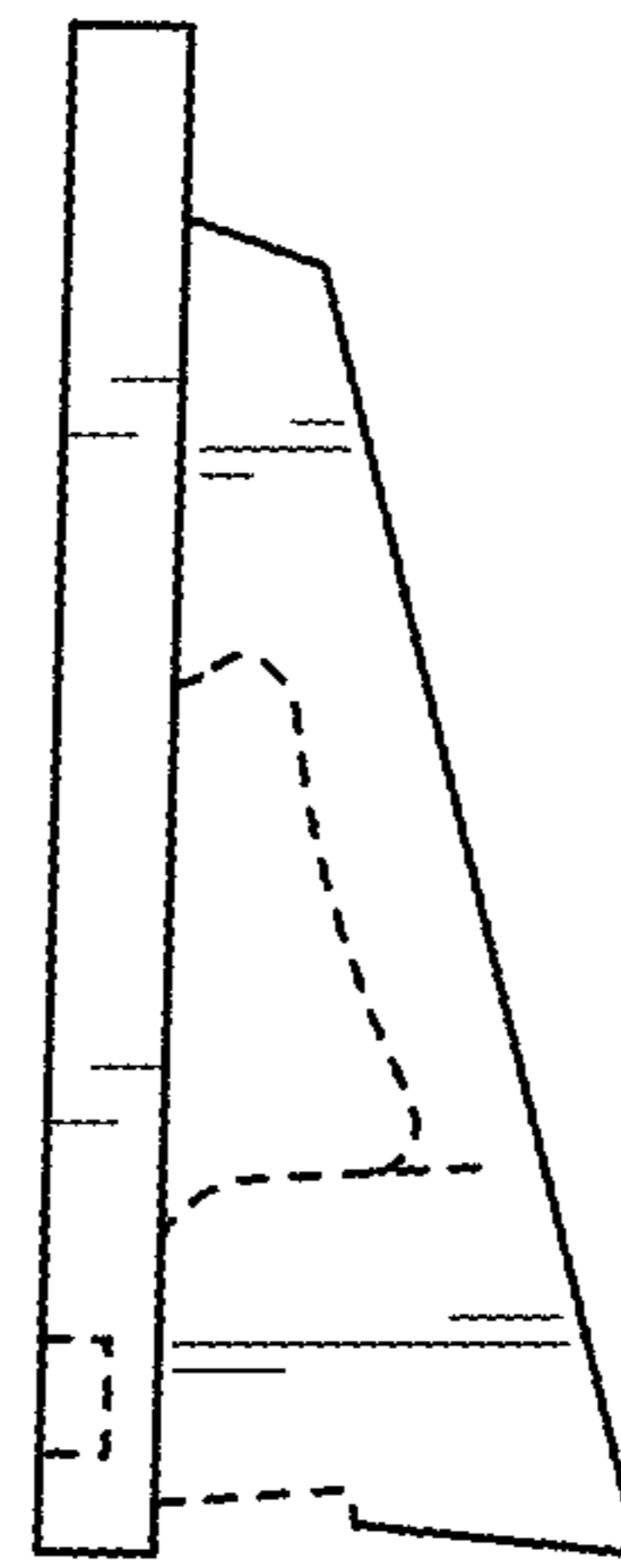


FIG. 6

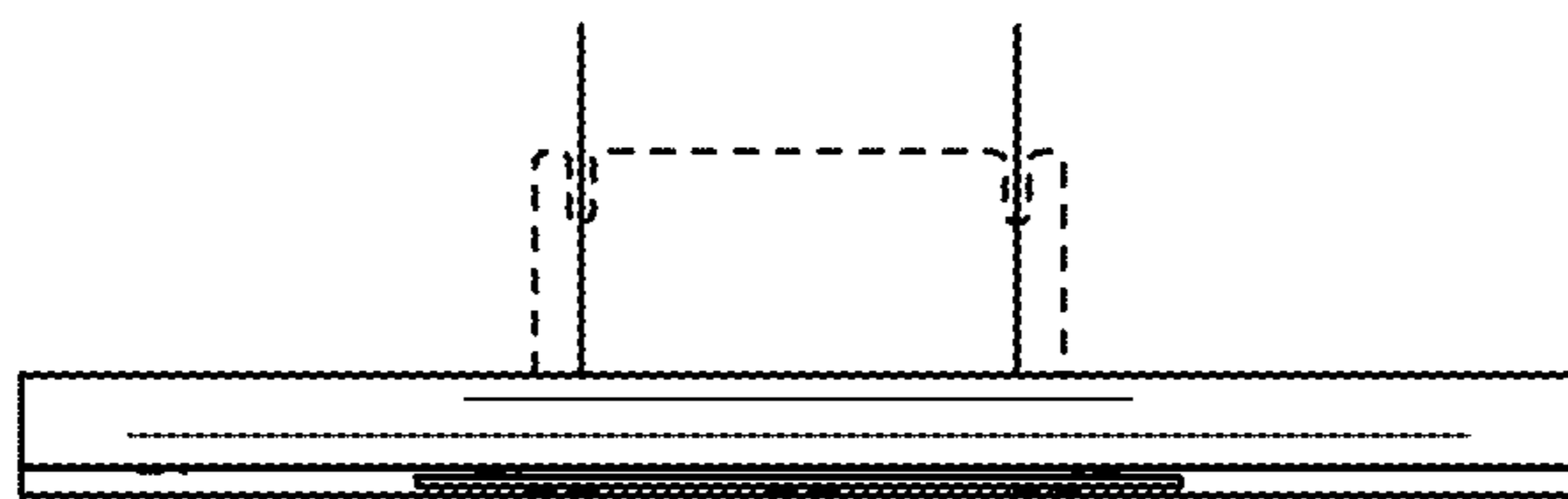


FIG. 7

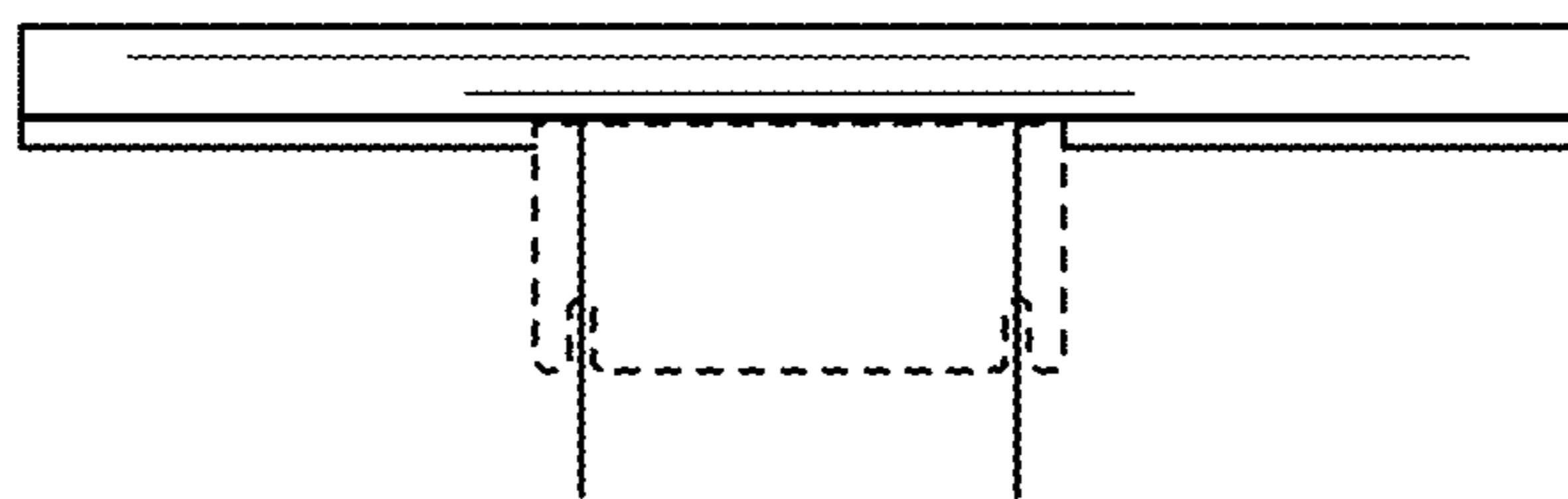


FIG. 8