



US00D790004S

(12) **United States Design Patent**
Maeshima et al.

(10) **Patent No.:** **US D790,004 S**

(45) **Date of Patent:** **** Jun. 20, 2017**

(54) **PROCESS CARTRIDGE FOR IMAGE FORMING APPARATUS**

(71) Applicant: **Canon Kabushiki Kaisha**, Ohta-ku, Tokyo (JP)

(72) Inventors: **Hideki Maeshima**, Mishima (JP); **Masato Tanabe**, Susono (JP); **Shuichi Gofuku**, Numazu (JP); **Hiroki Shimizu**, Fuji (JP); **Kuniaki Hirukawa**, Yokohama (JP)

(73) Assignee: **Canon Kabushiki Kaisha**, Tokyo (JP)

(**) Term: **15 Years**

(21) Appl. No.: **29/528,877**

(22) Filed: **Jun. 2, 2015**

(30) **Foreign Application Priority Data**

Dec. 2, 2014 (JP) 2014-026833

(51) **LOC (10) Cl.** **16-03**

(52) **U.S. Cl.**
USPC **D18/43**

(58) **Field of Classification Search**

USPC D14/471, 474, 475; D16/246; D18/12, D18/36-39, 40, 43, 44, 49, 50-59; 347/121, 122, 222-224; 399/24-30, 399/107-125, 222-224, 252-262, 399/343-360; 222/DIG. 1
CPC G03G 15/00; G03G 15/08; G03G 15/0815; G03G 21/08; G03G 21/1814; G03G 21/1835; G03G 21/185; G03G 21/1842; G03G 21/1857; G03G 21/1853; G03G 21/16-21/18

See application file for complete search history.

(56) **References Cited**

U.S. PATENT DOCUMENTS

D462,984 S * 9/2002 Hayashi D18/40
D464,079 S * 10/2002 Funayama D18/43

D477,631 S * 7/2003 Mori D18/40
D519,150 S * 4/2006 Kojima et al. D18/40
D522,565 S * 6/2006 Sanada D18/43
D554,696 S * 11/2007 Long D18/43
D587,304 S * 2/2009 Murayama D18/43
D588,633 S * 3/2009 Oda D18/43
D589,551 S * 3/2009 Han D18/43
D591,338 S * 4/2009 Kusudo D18/43

(Continued)

OTHER PUBLICATIONS

U.S. Appl. No. 29/528,878, filed Jun. 2, 2015.
U.S. Appl. No. 29/528,881, filed Jun. 2, 2015.
U.S. Appl. No. 29/528,880, filed Jun. 2, 2015.

Primary Examiner — Wan Laymon

Assistant Examiner — Clint A Samuel

(74) *Attorney, Agent, or Firm* — Fitzpatrick, Cella, Harper & Scinto

(57) **CLAIM**

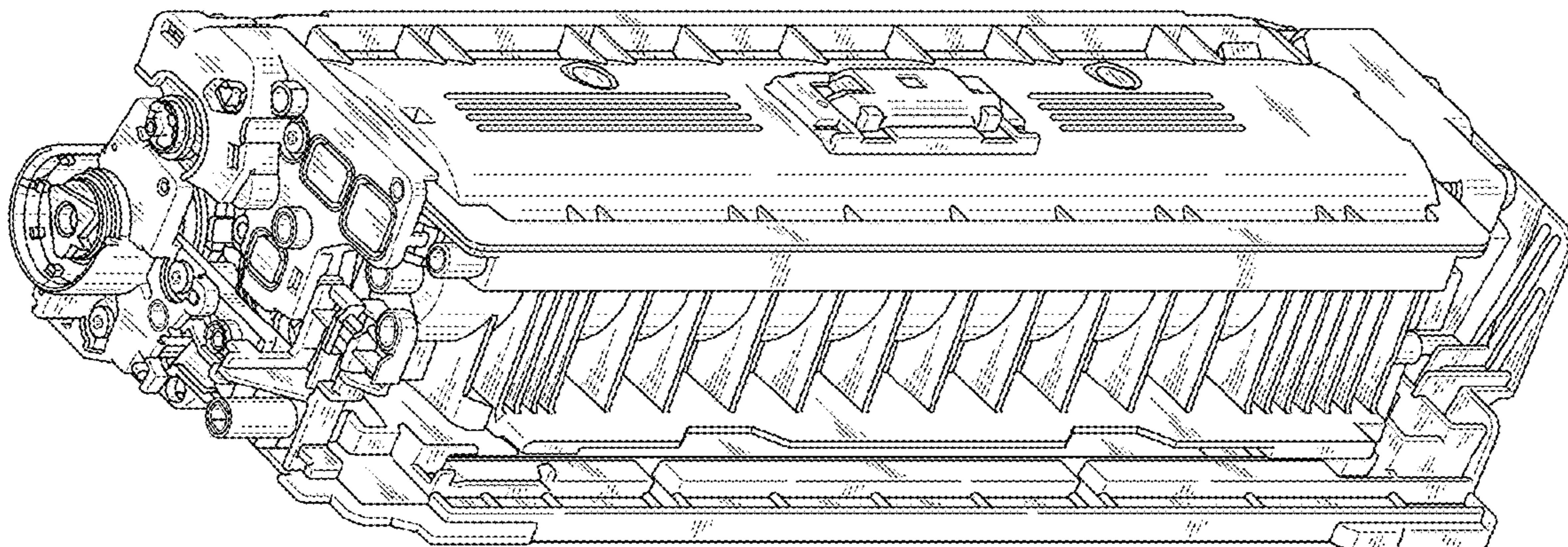
The ornamental design for a process cartridge for image forming apparatus, as shown and described.

DESCRIPTION

FIG. 1 is a front view of a process cartridge for image forming apparatus showing our new design; FIG. 2 is a rear view thereof; FIG. 3 is a top plan view thereof; FIG. 4 is a bottom plan view thereof; FIG. 5 is a left side view thereof; FIG. 6 is a right side view thereof; FIG. 7 is a front perspective view thereof; FIG. 8 is a rear perspective view thereof; and, FIG. 9 is a front, bottom and left side perspective view thereof.

The broken lines depict environmental subject matter only and form no part of the claimed design.

1 Claim, 8 Drawing Sheets



(56)

References Cited

U.S. PATENT DOCUMENTS

D598,950	S	*	8/2009	Kusudo	D18/43
D614,691	S	*	4/2010	Abe	D18/43
D631,088	S	*	1/2011	Chadani	D18/43
D631,089	S	*	1/2011	Chadani	D18/43
D631,090	S	*	1/2011	Chadani	D18/43
D631,091	S	*	1/2011	Chadani	D18/43
D632,731	S	*	2/2011	Abe	D18/43
D633,137	S	*	2/2011	Chadani	D18/43
D637,225	S	*	5/2011	Kishi	D18/43
D638,056	S	*	5/2011	Kanno	D18/43
D638,057	S	*	5/2011	Kanno	D18/43
D639,335	S	*	6/2011	Kanno	D18/43
D639,846	S	*	6/2011	Kanno	D18/43
D723,614	S	*	3/2015	Shimizu	D18/43
D746,904	S	*	1/2016	Kitagawa	D18/43
D763,347	S	*	8/2016	Goto	D18/43

* cited by examiner

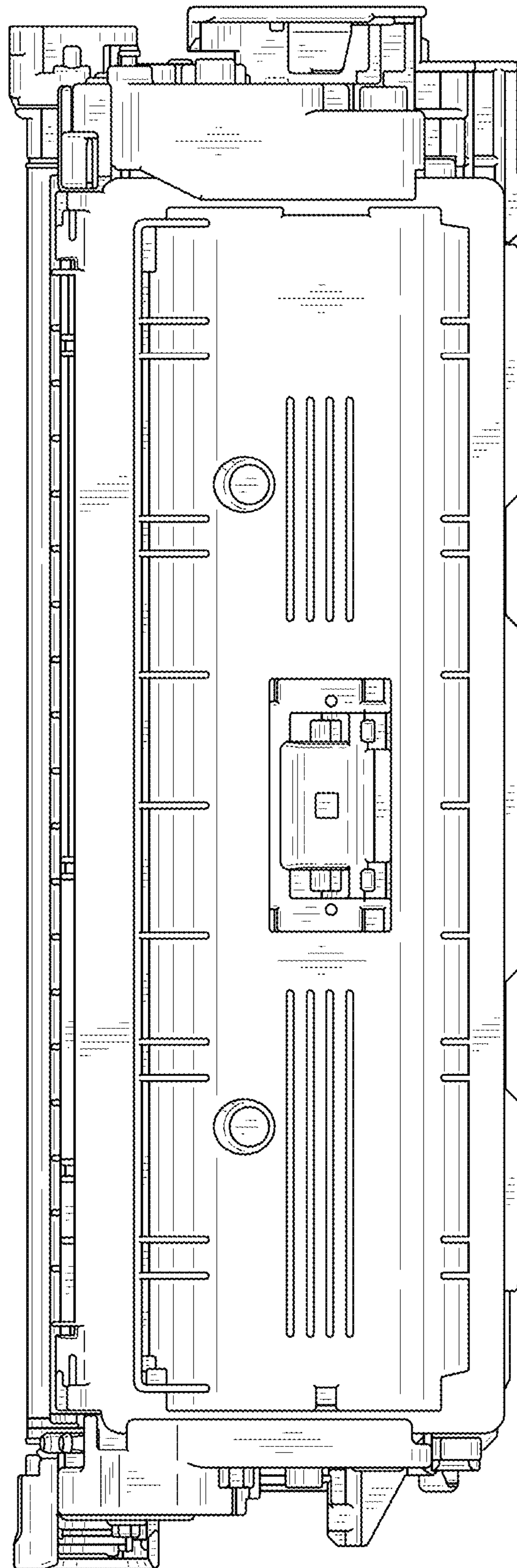


FIG. 1

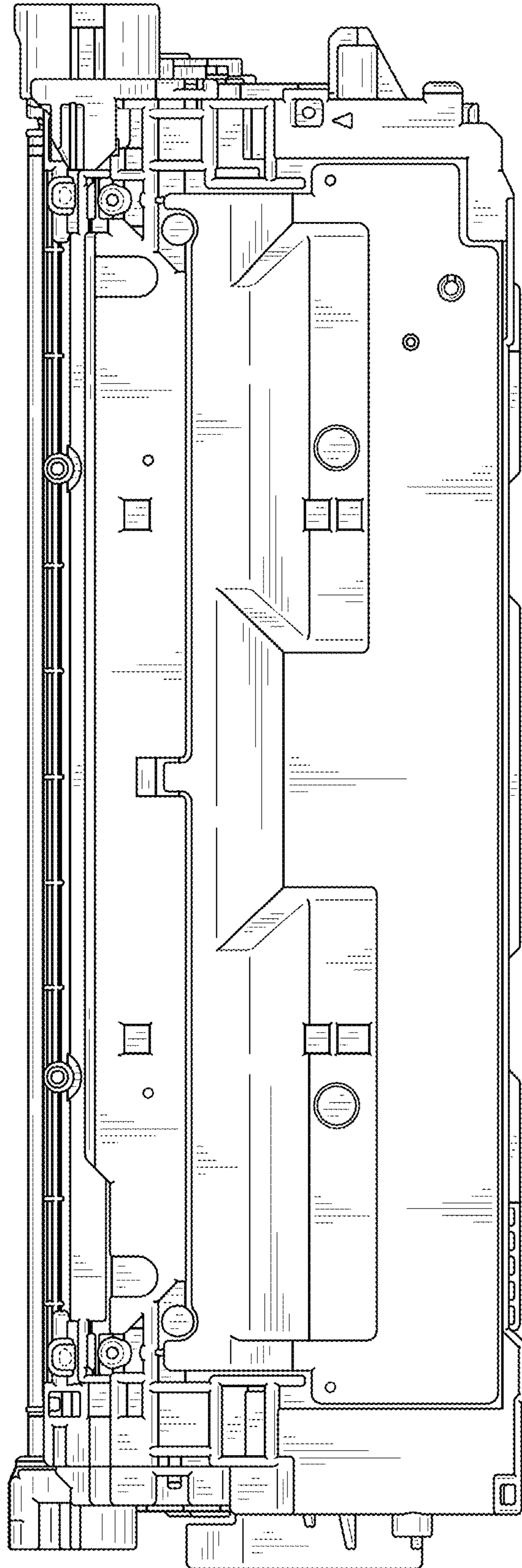


FIG. 2

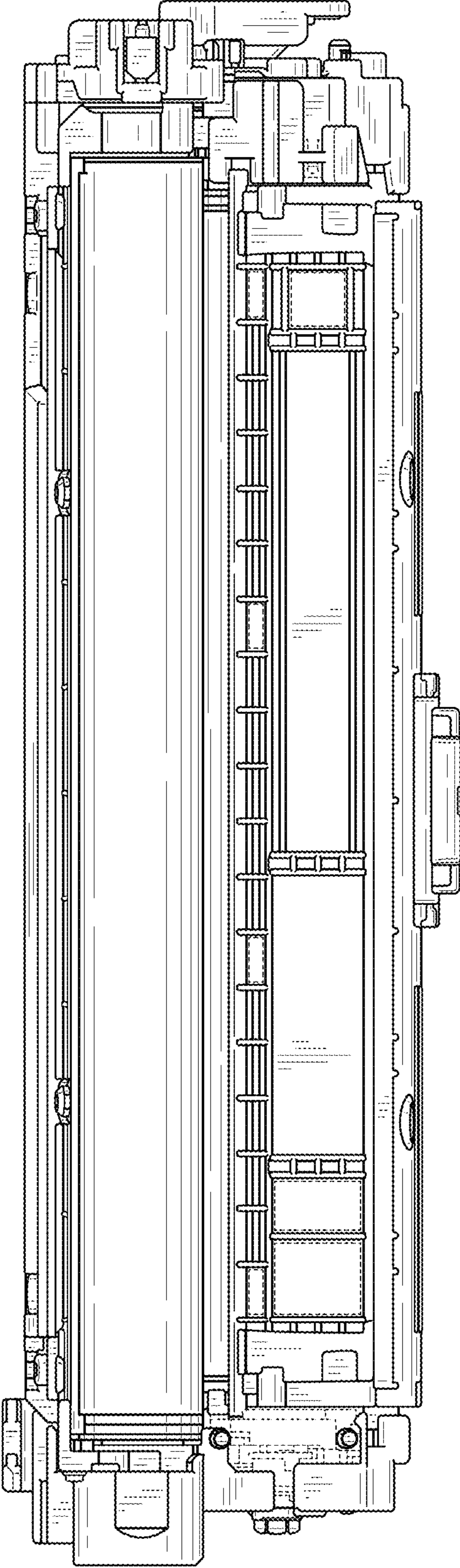


FIG. 3

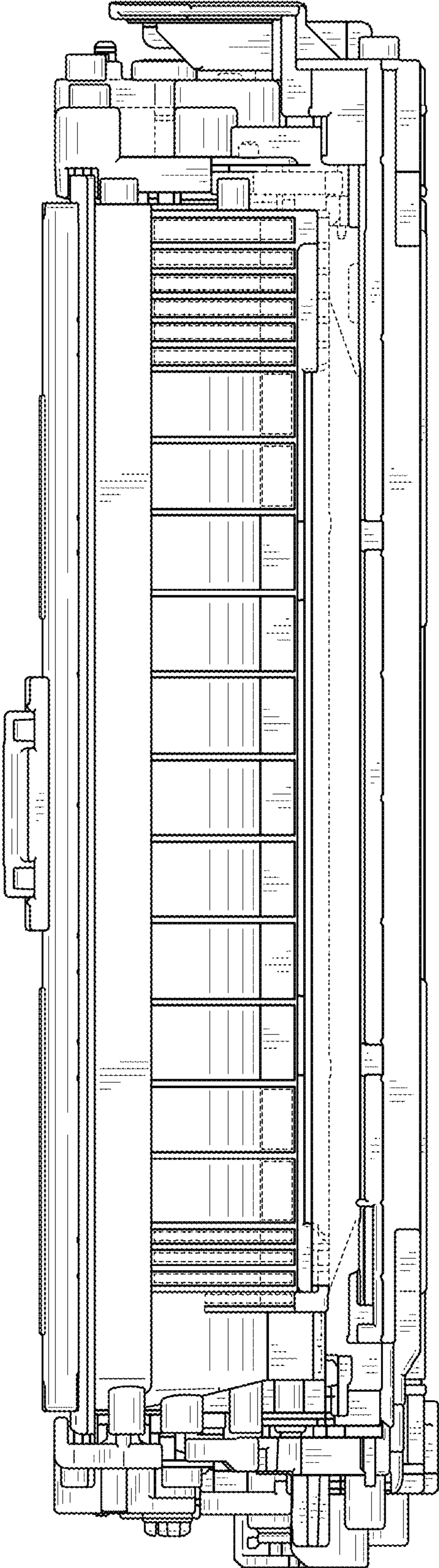


FIG. 4

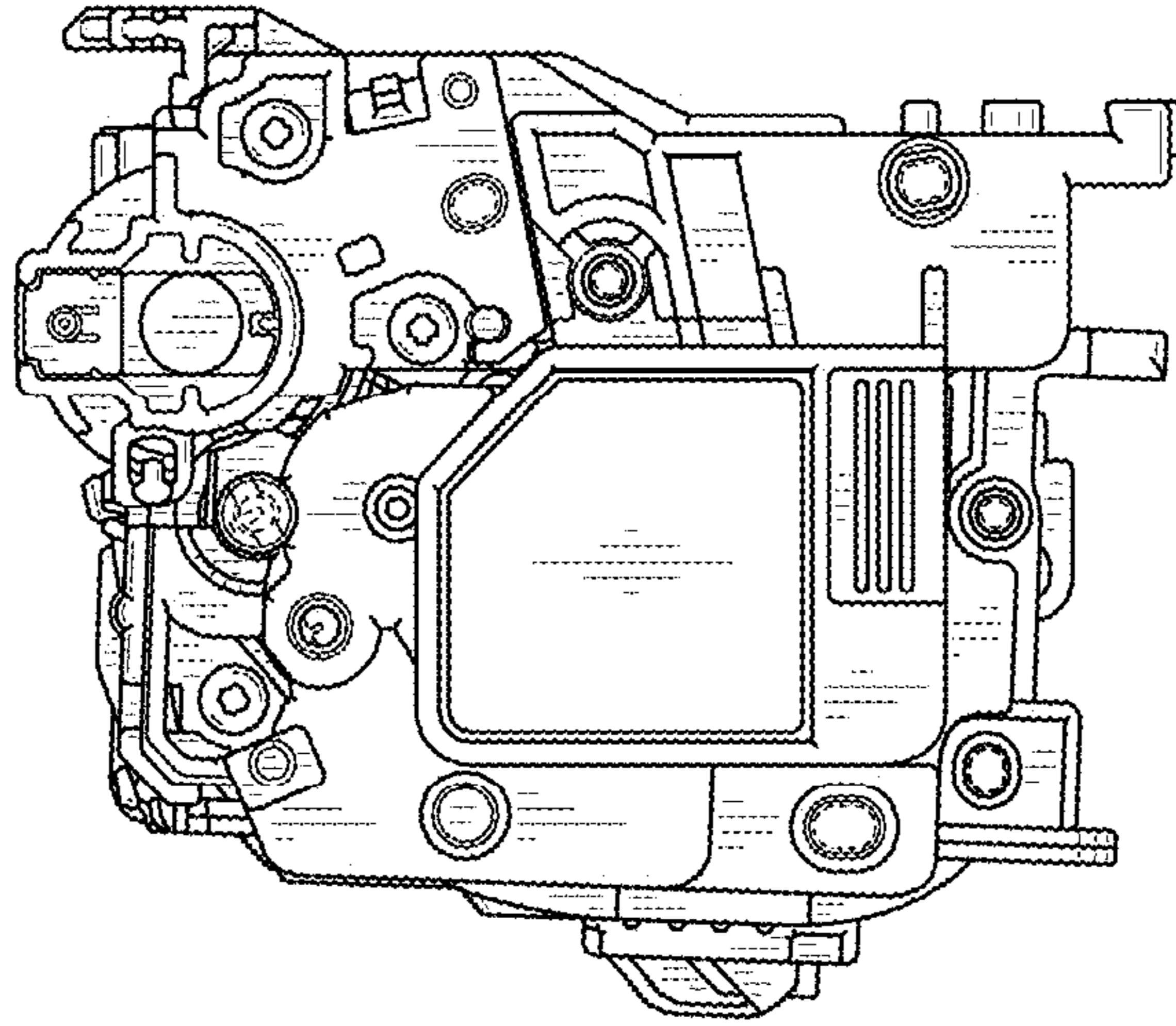


FIG. 6

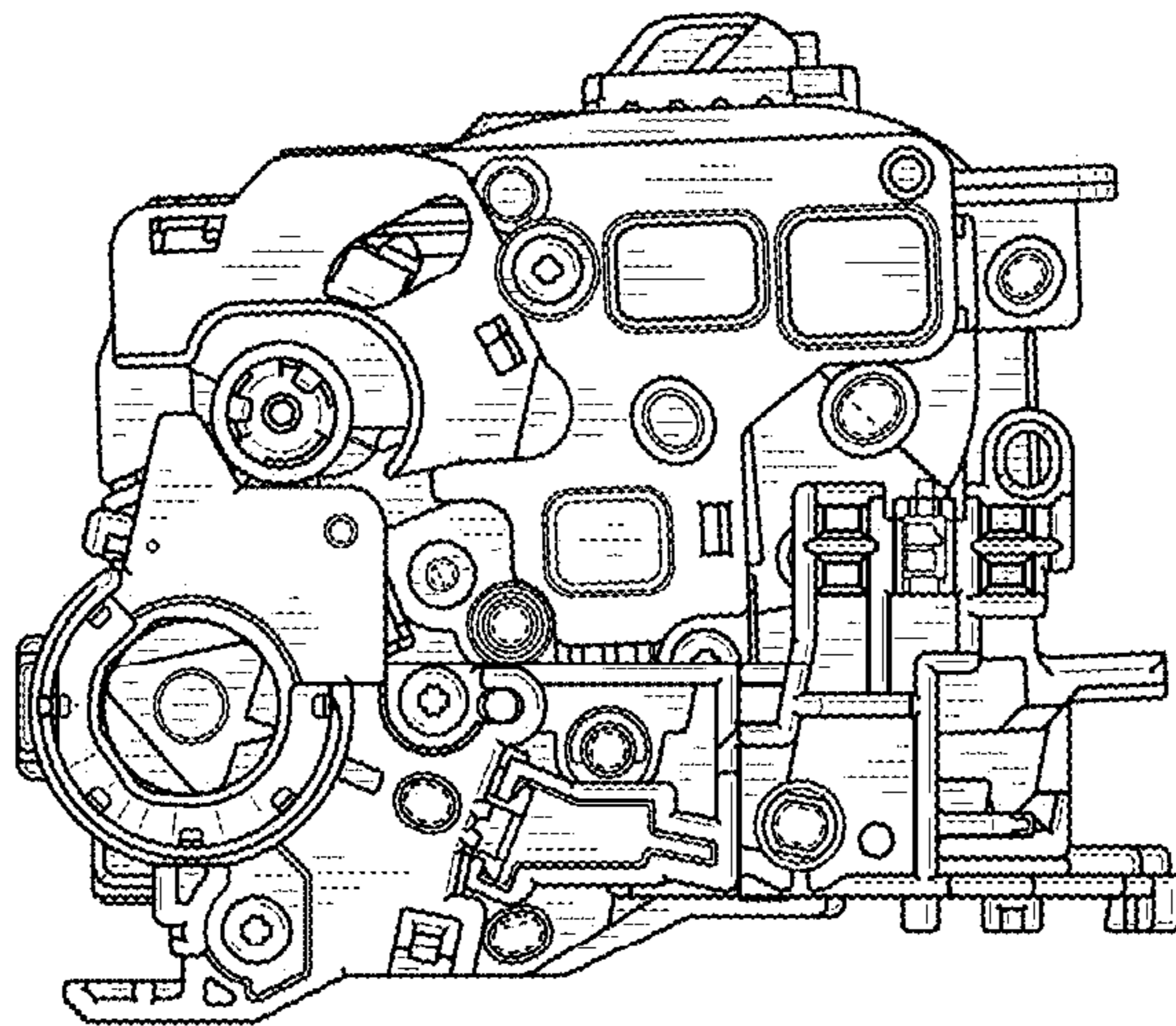


FIG. 5

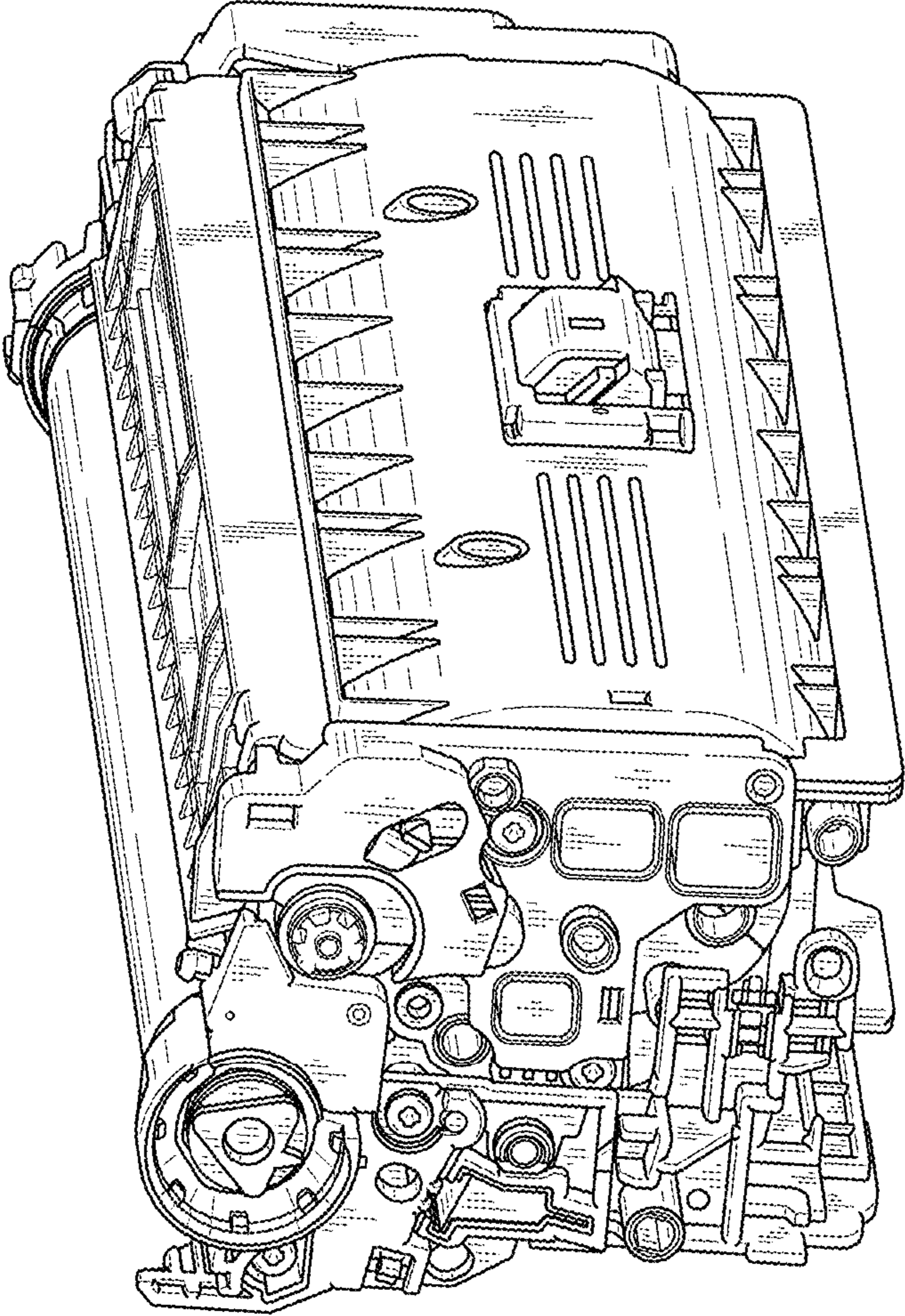


FIG. 7

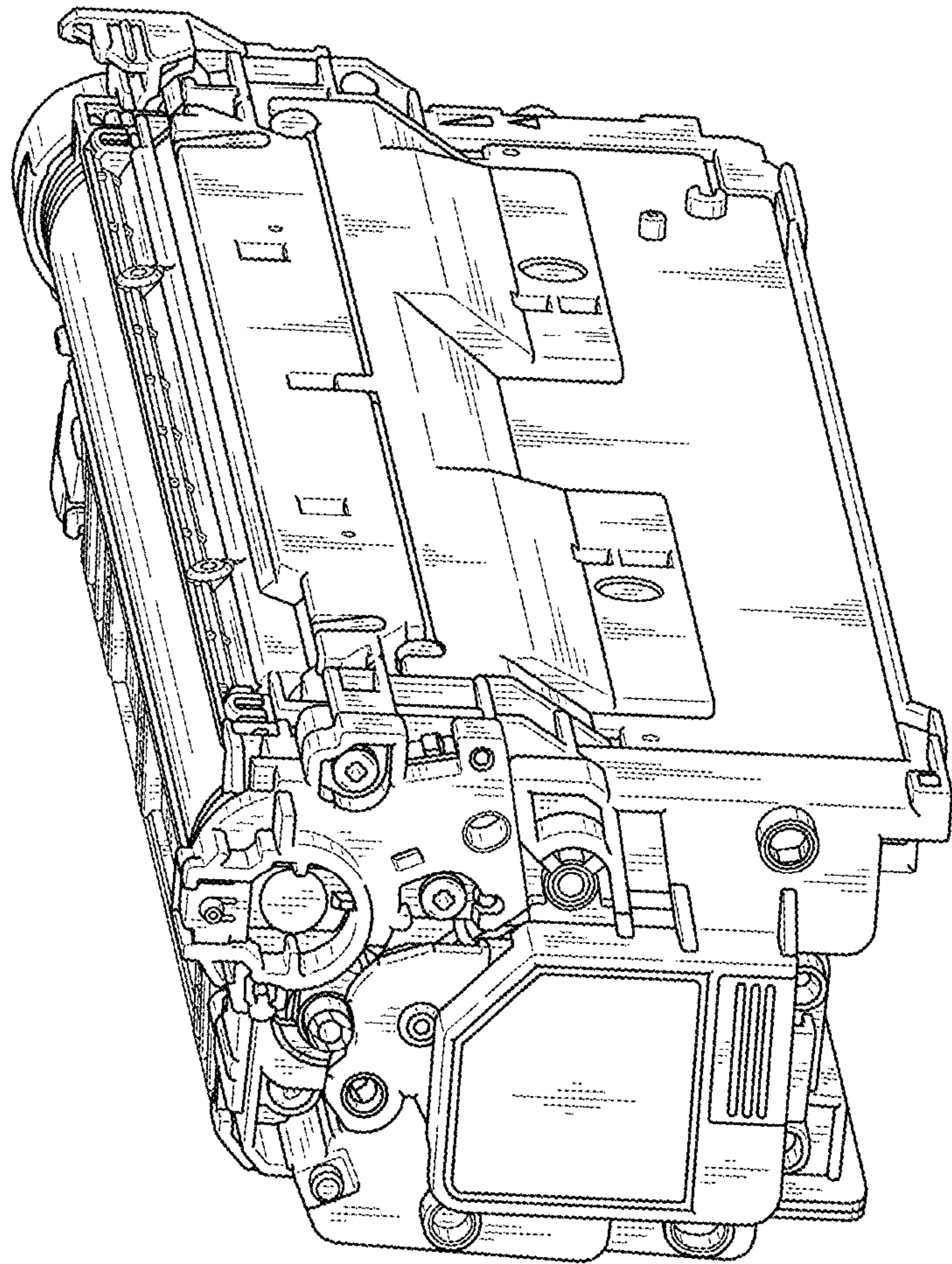


FIG. 8

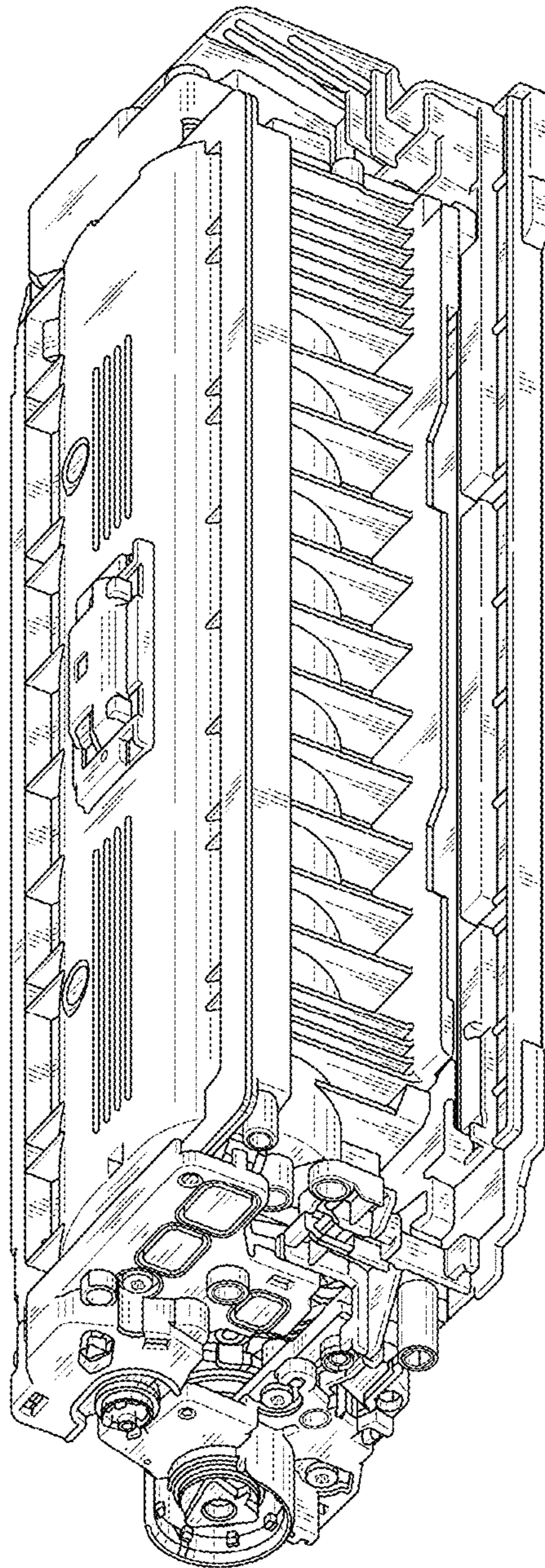


FIG. 9