



US00D790003S

(12) **United States Design Patent**
Nakagawa et al.

(10) **Patent No.:** **US D790,003 S**
(45) **Date of Patent:** **** Jun. 20, 2017**

(54) **PROJECTOR**

(71) Applicant: **SEIKO EPSON CORPORATION**,
Tokyo (JP)

(72) Inventors: **Ryoichi Nakagawa**, Matsumoto (JP);
Haruki Sugawara, Chofu (JP);
Yoshitsugu Akutagawa, Matsumoto
(JP)

(73) Assignee: **SEIKO EPSON CORPORATION**,
Tokyo (JP)

(**) Term: **15 Years**

(21) Appl. No.: **29/555,790**

(22) Filed: **Feb. 24, 2016**

(30) **Foreign Application Priority Data**

Aug. 25, 2015 (JP) 2015-018591
Sep. 11, 2015 (JP) 2015-020211

(51) **LOC (10) Cl.** **16-02**

(52) **U.S. Cl.**
USPC **D16/235**

(58) **Field of Classification Search**

USPC D16/203–204, 208, 219, 221, 225, 227,
D16/229–231, 232, 234; D26/61, 63, 68
CPC G03B 21/145; G03B 21/142; G03B 21/16;
G03B 21/00; G03B 21/001; G03B
21/003; G03B 17/02; H04N 5/2252
See application file for complete search history.

(56) **References Cited**

U.S. PATENT DOCUMENTS

7,281,807 B2 * 10/2007 Plut G03B 21/16
348/771
D554,685 S * 11/2007 Ishikawa D16/225
D589,995 S * 4/2009 Kellar D16/203
D717,853 S * 11/2014 Noreng D16/203
D727,998 S 4/2015 Yuyama

D727,999 S 4/2015 Yuyama et al.
D740,877 S 10/2015 Yuyama
9,405,176 B2 * 8/2016 Kinebuchi G03B 21/16
2014/0146296 A1 * 5/2014 Tian G03B 21/145
353/101

(Continued)

FOREIGN PATENT DOCUMENTS

CN 302695343 * 8/2013

Primary Examiner — Wan Laymon

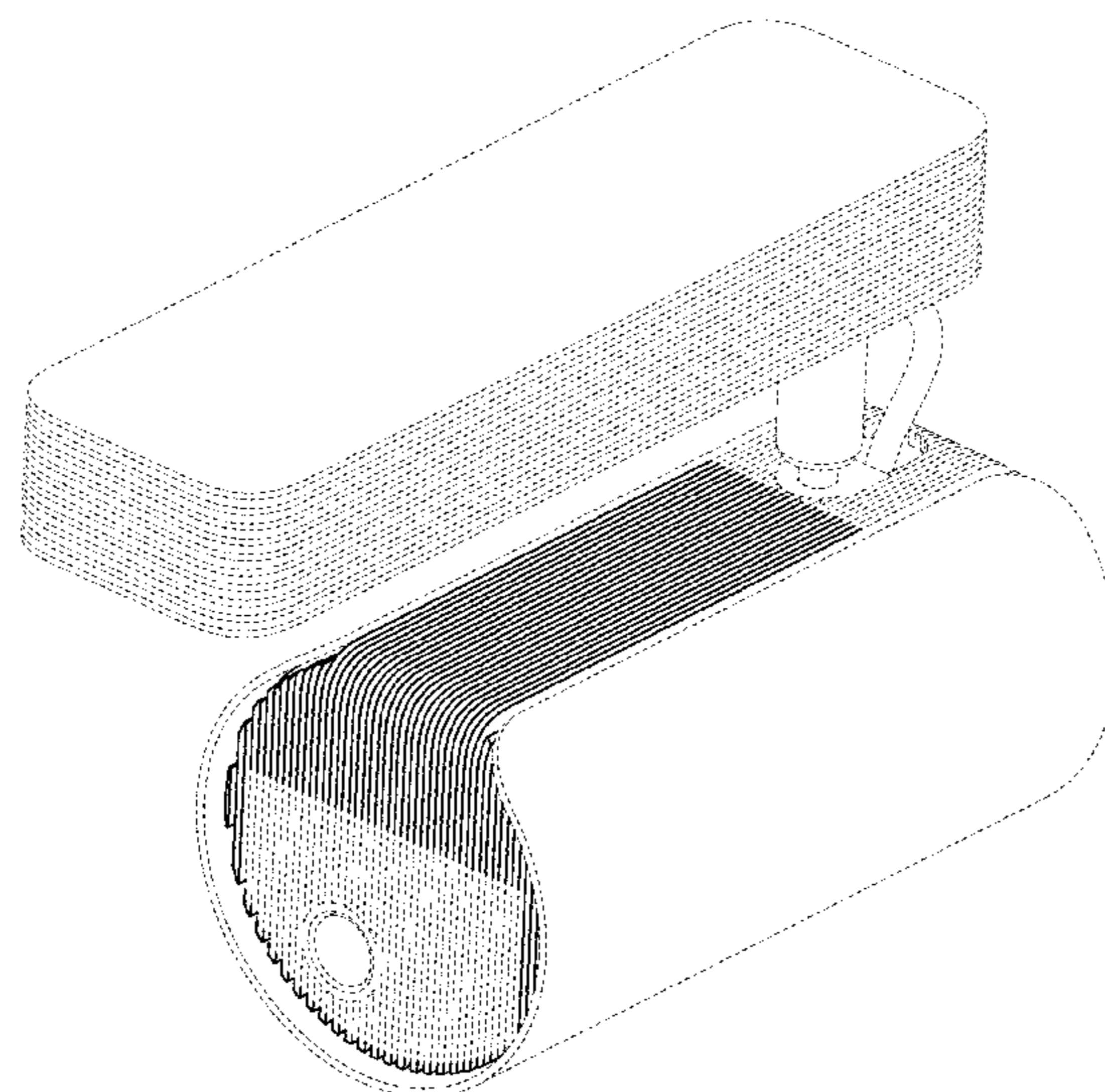
(57) **CLAIM**

The ornamental design for a projector, as shown and described.

DESCRIPTION

FIG. 1 is a front, top, and right side perspective view of a first embodiment of a projector showing our new design; FIG. 2 is a rear, bottom, and left side perspective view thereof; FIG. 3 is a front view thereof; FIG. 4 is a rear view thereof; FIG. 5 is a top plan view thereof; FIG. 6 is a bottom plan view thereof; FIG. 7 is a right side view thereof; FIG. 8 is a left side view thereof; FIG. 9 is a front, top, and right side perspective view of a second embodiment of a projector showing our new design; FIG. 10 is a rear, bottom, and left side perspective view thereof; FIG. 11 is a front view thereof; FIG. 12 is a rear view thereof; FIG. 13 is a top plan view thereof; FIG. 14 is a bottom plan view thereof; FIG. 15 is a right side view thereof; and, FIG. 16 is a left side view thereof. The broken lines illustrate portions of the projector and form no part of the claimed design.

1 Claim, 16 Drawing Sheets



(56)

References Cited

U.S. PATENT DOCUMENTS

2016/0011495	A1 *	1/2016	Takagi	G03B 21/145
				353/119
2016/0188123	A1 *	6/2016	Fujiune	G03B 21/145
				345/156

* cited by examiner

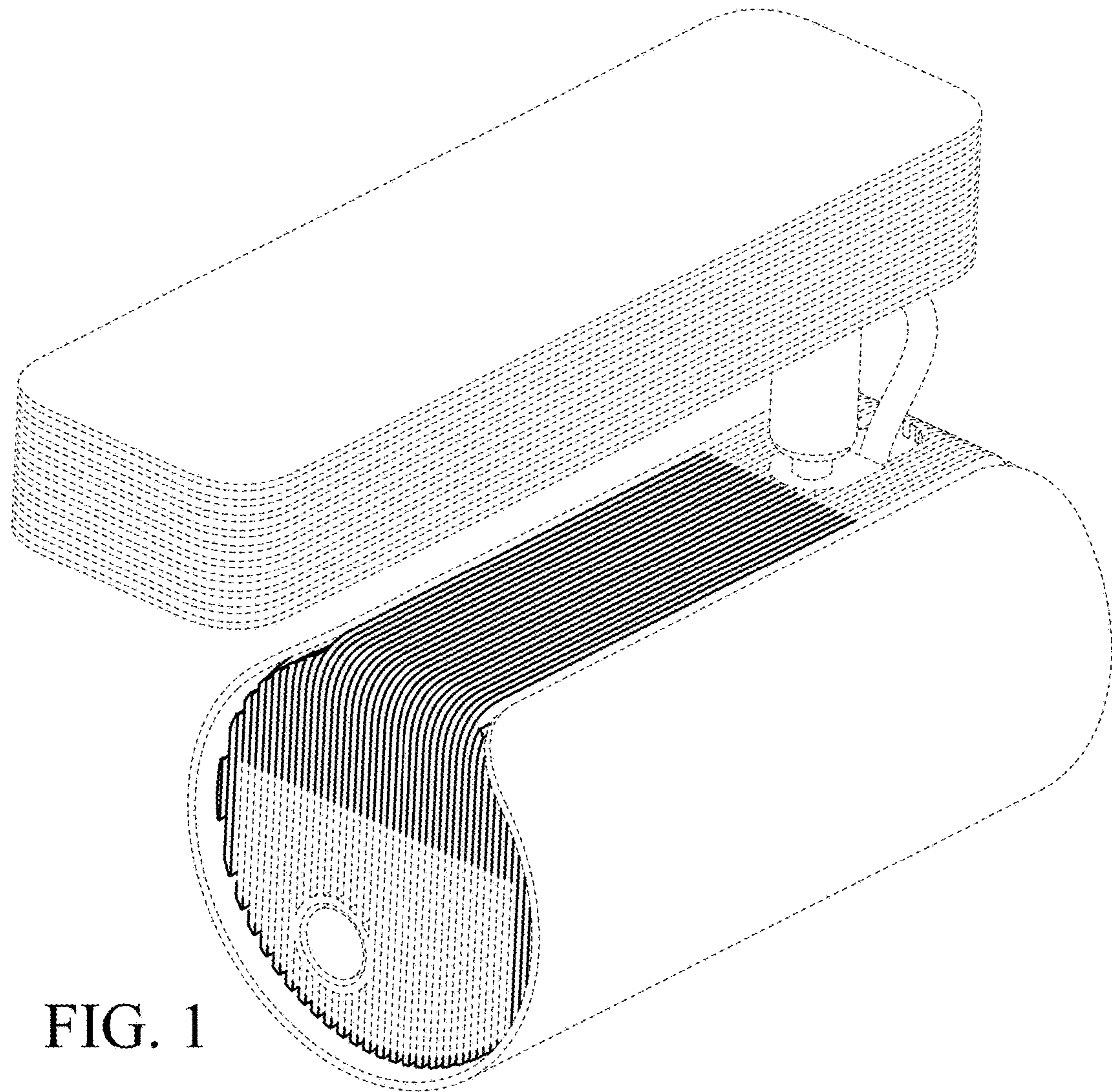


FIG. 1

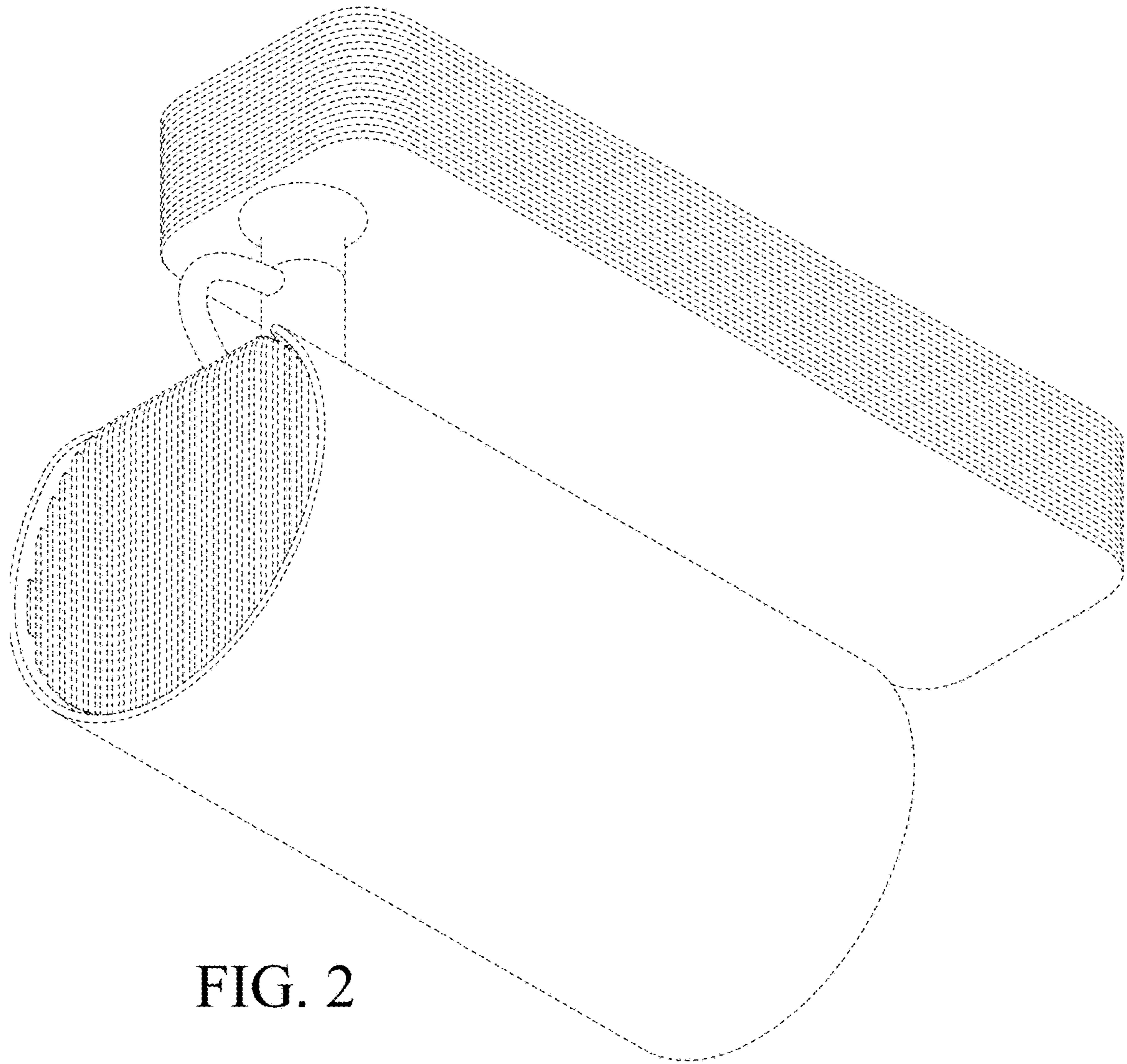


FIG. 2

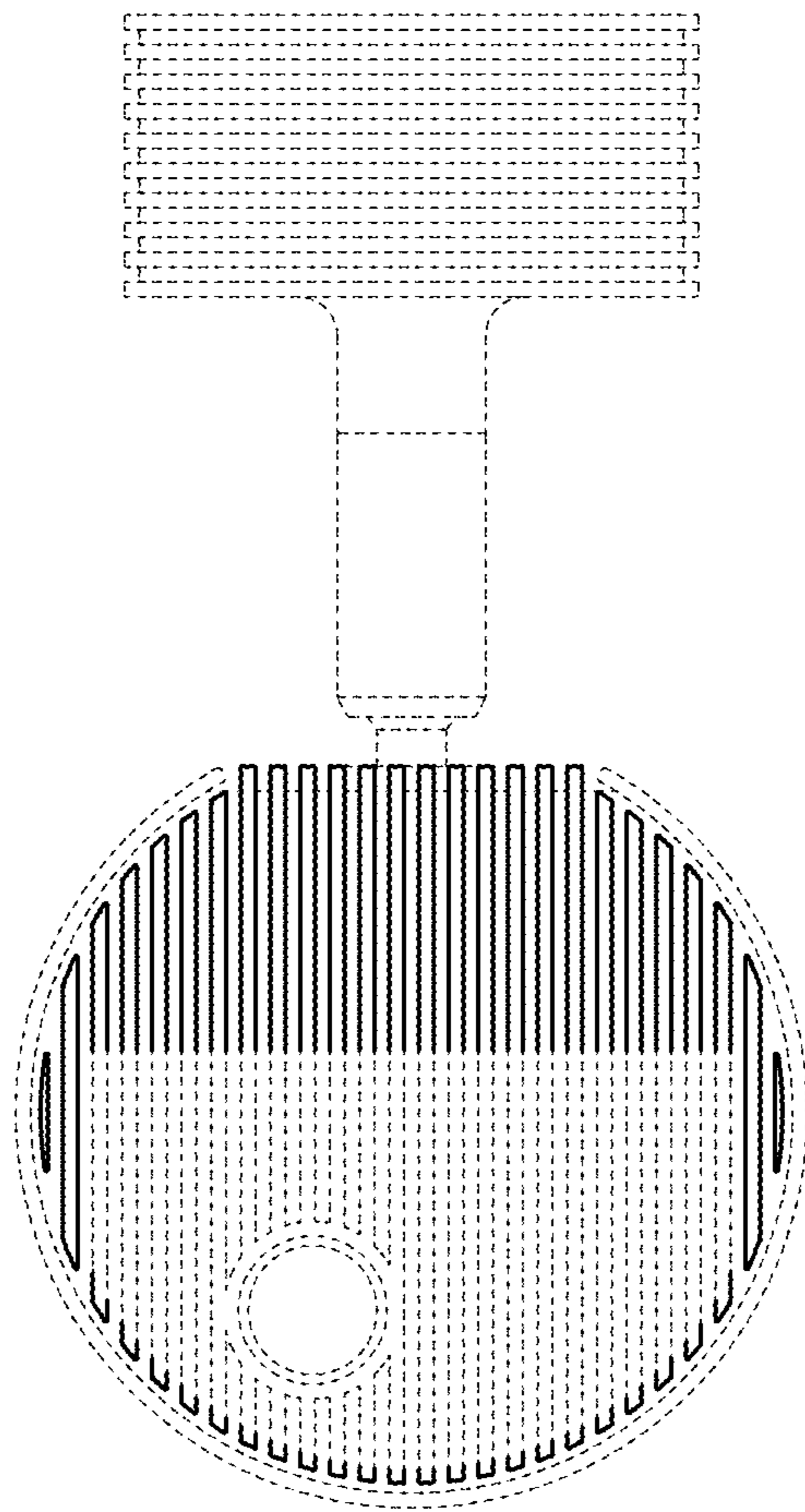


FIG. 3

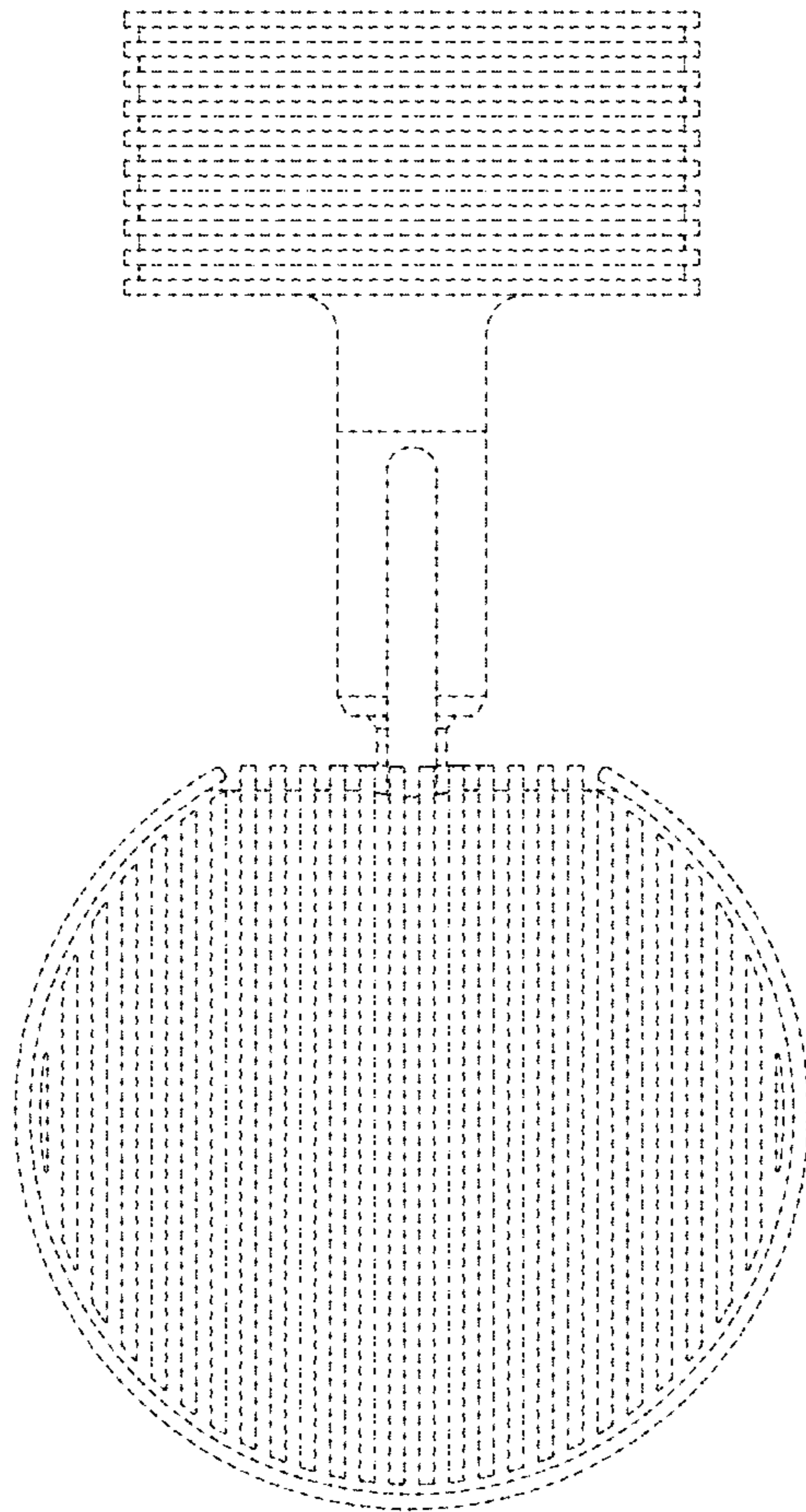


FIG. 4

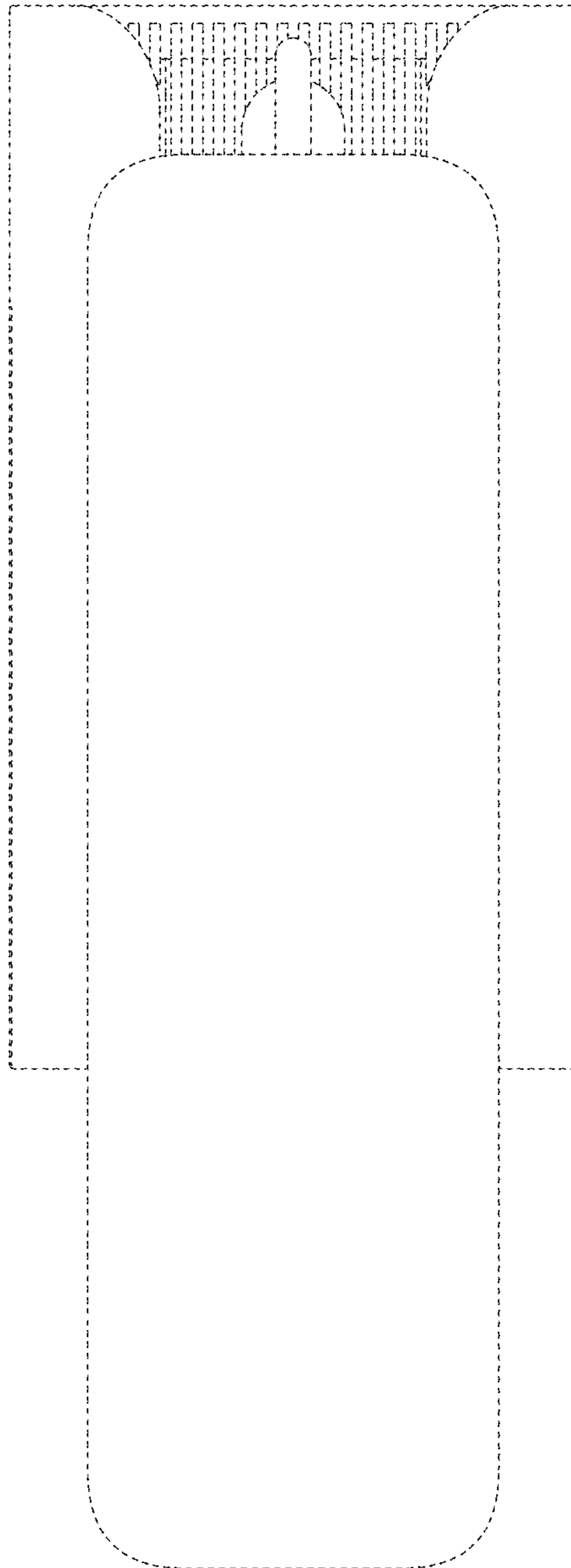


FIG. 5



FIG. 6

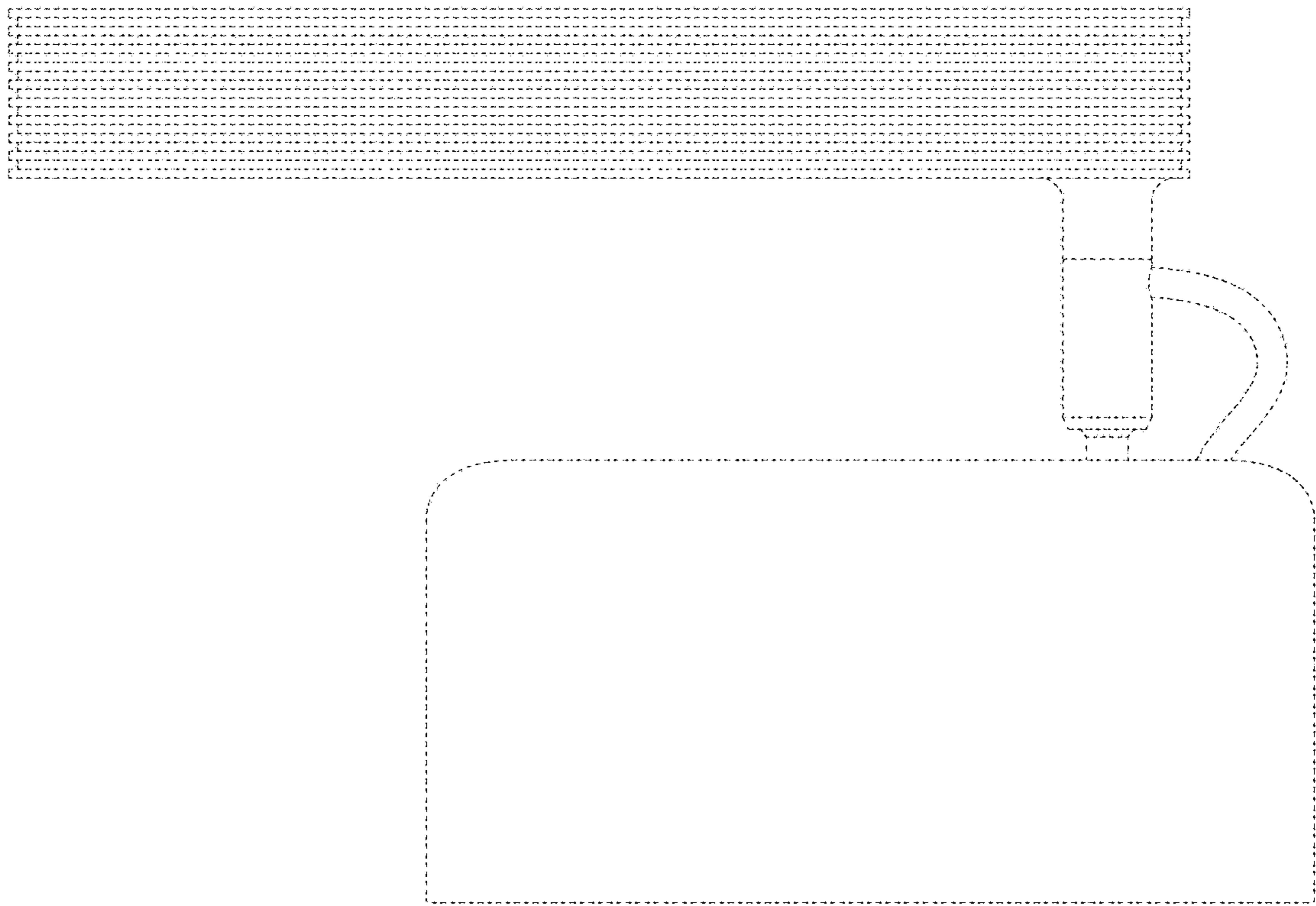


FIG. 7

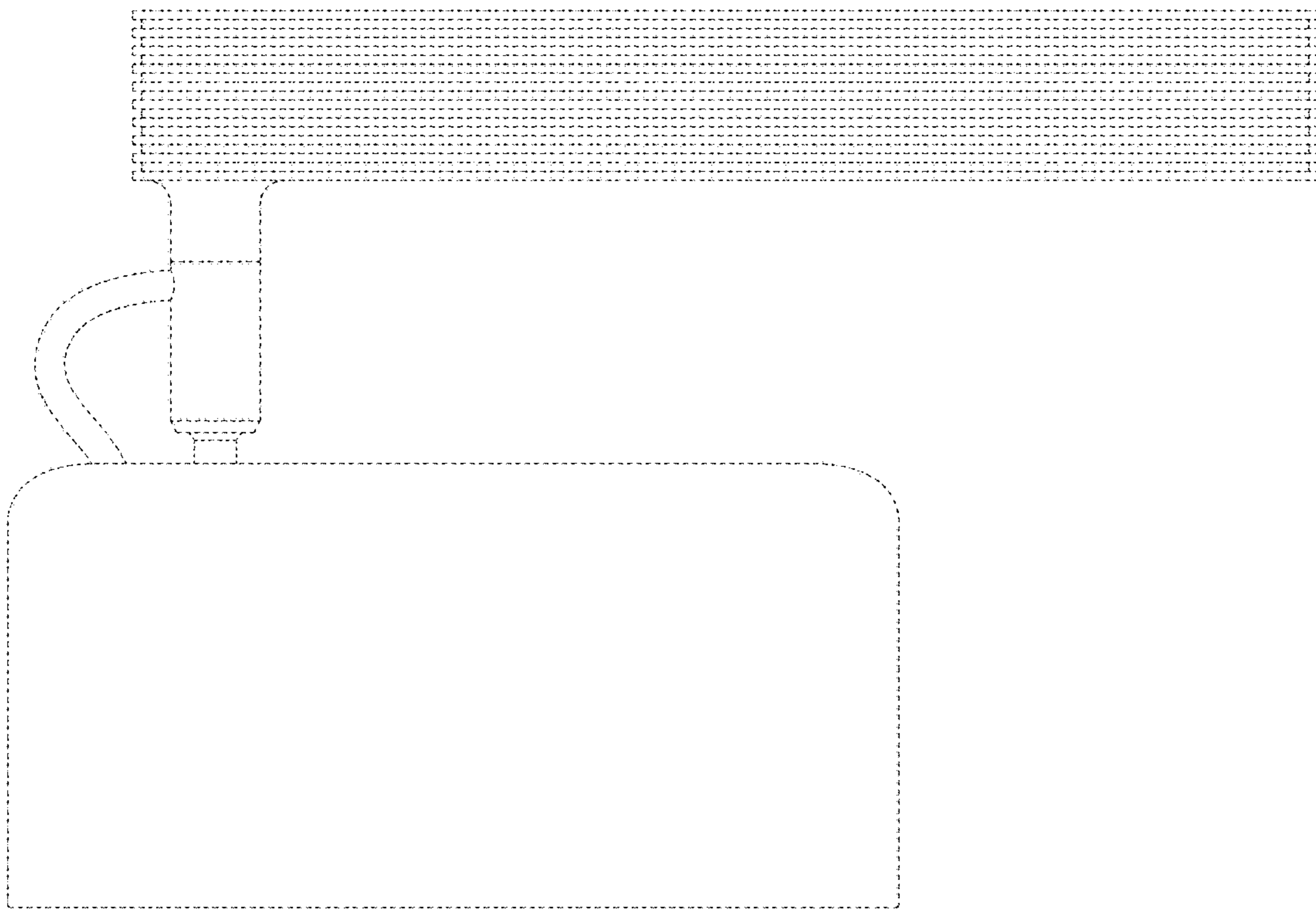


FIG. 8

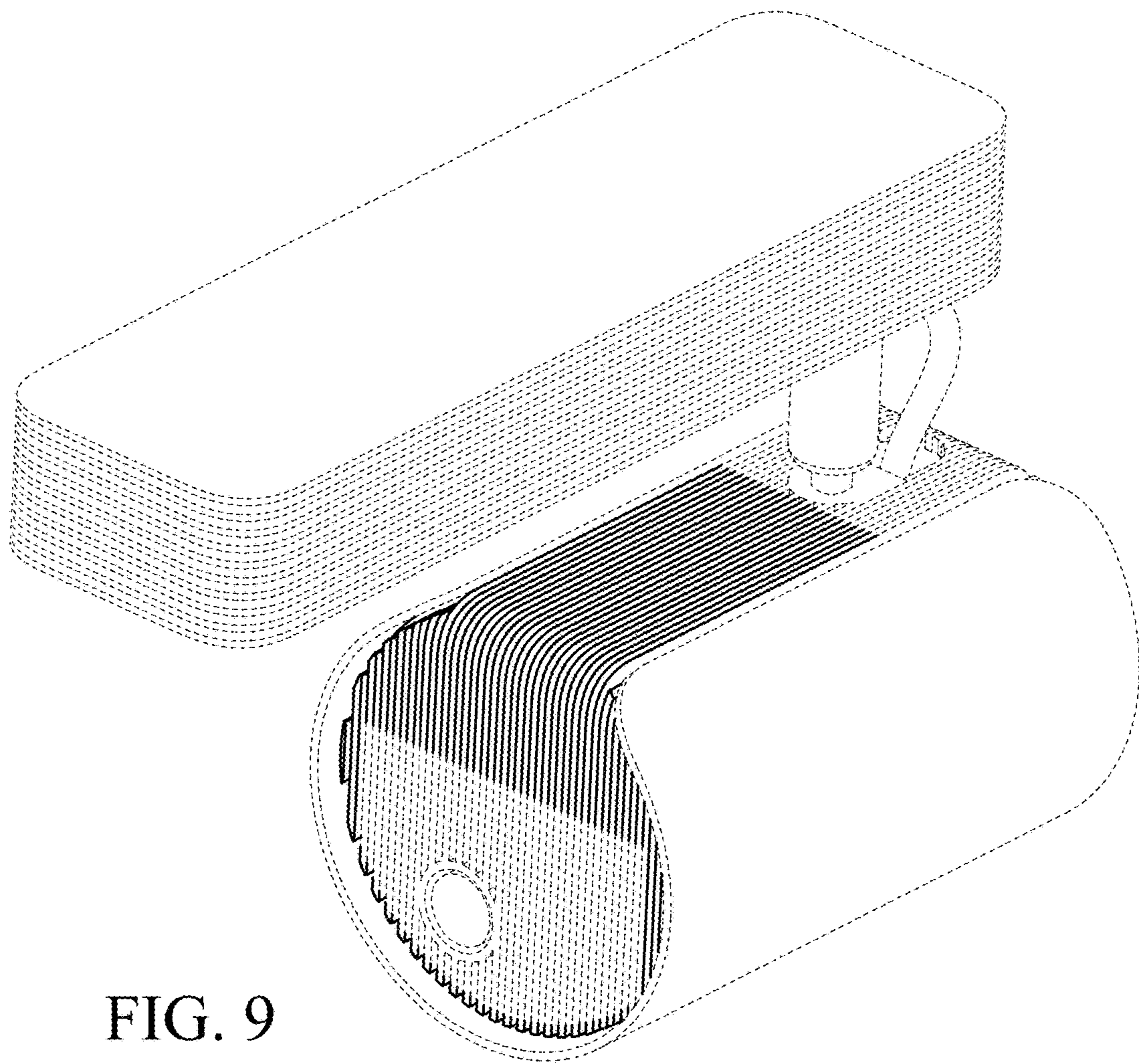


FIG. 9

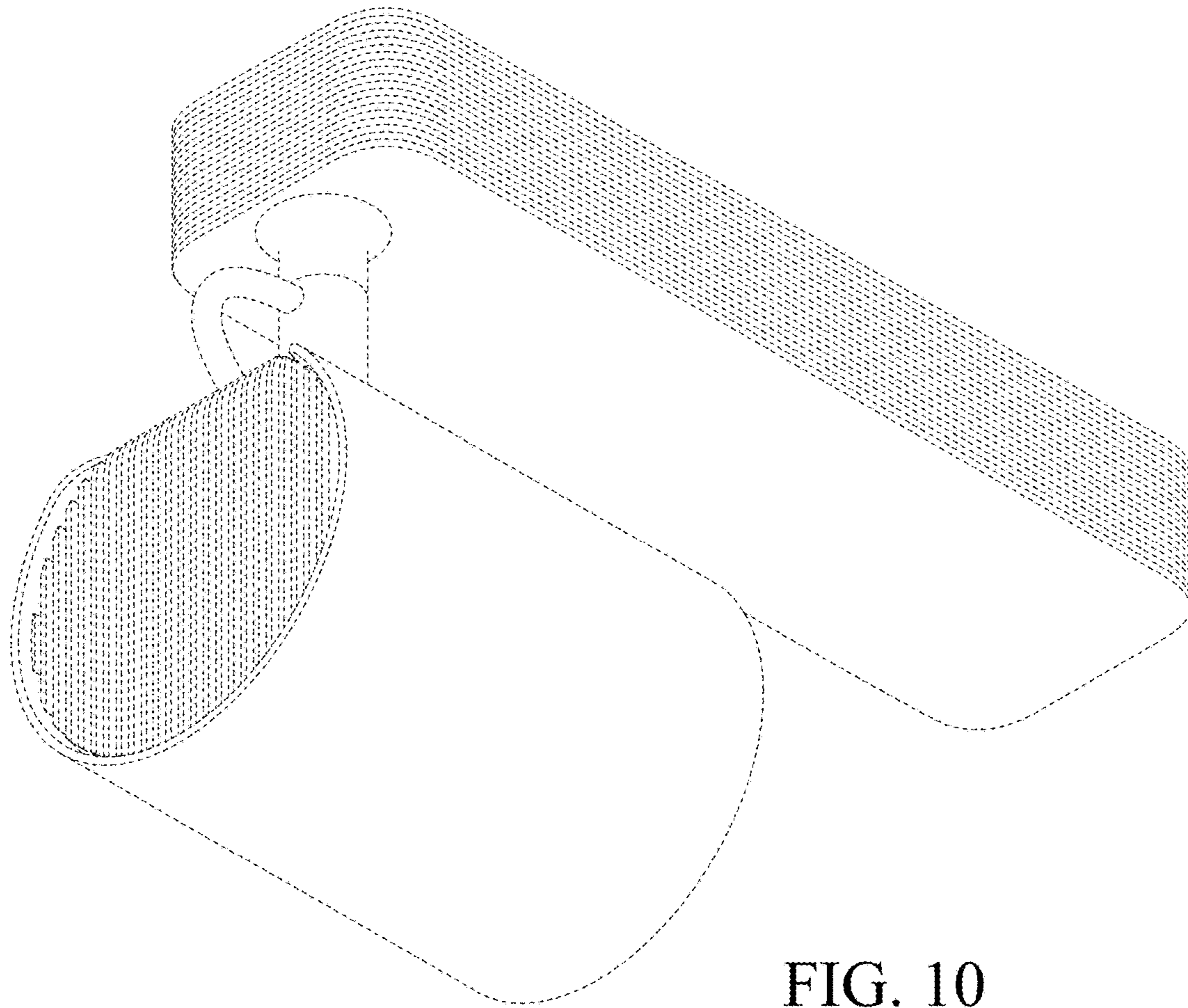


FIG. 10

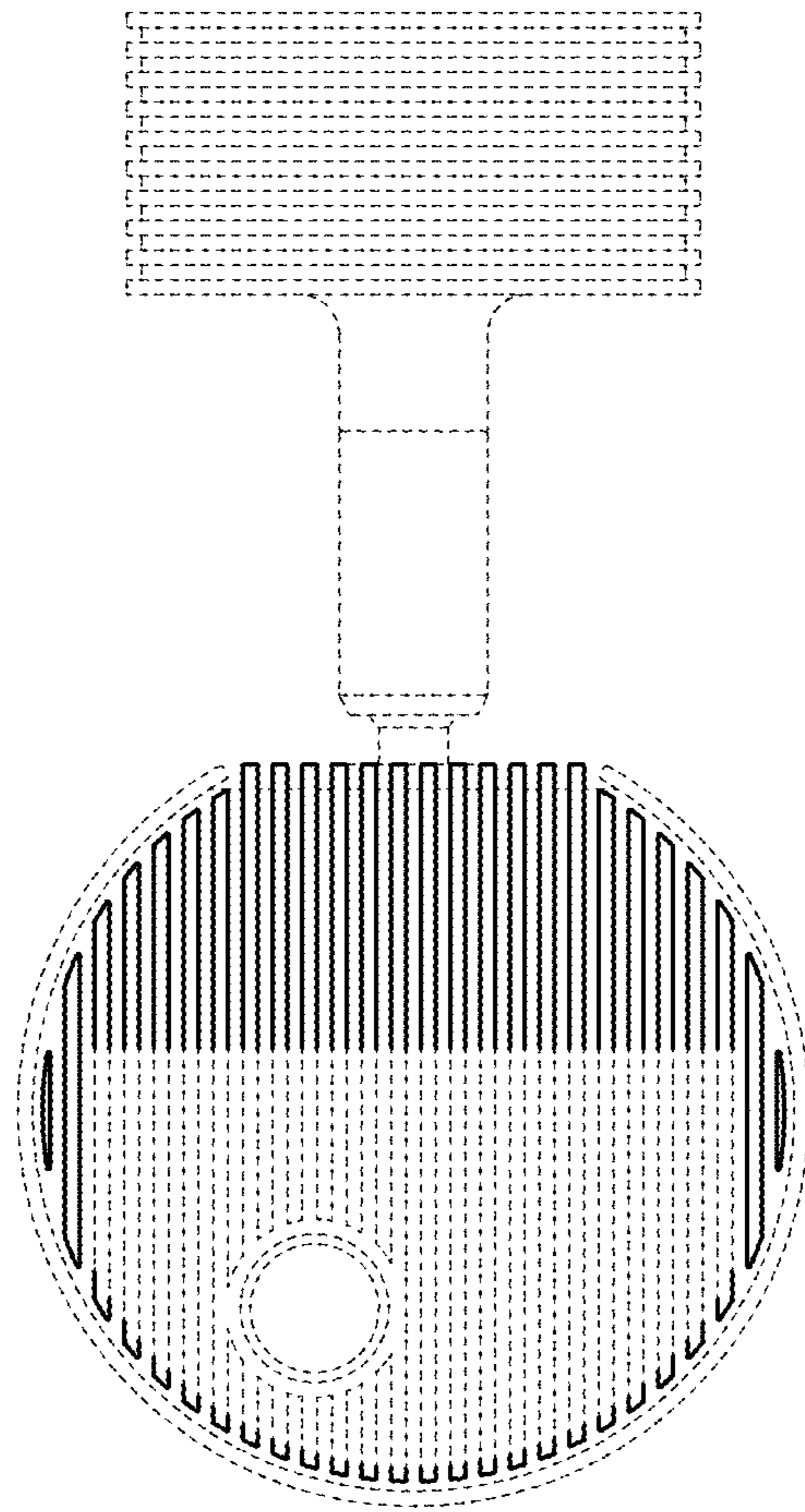


FIG. 11

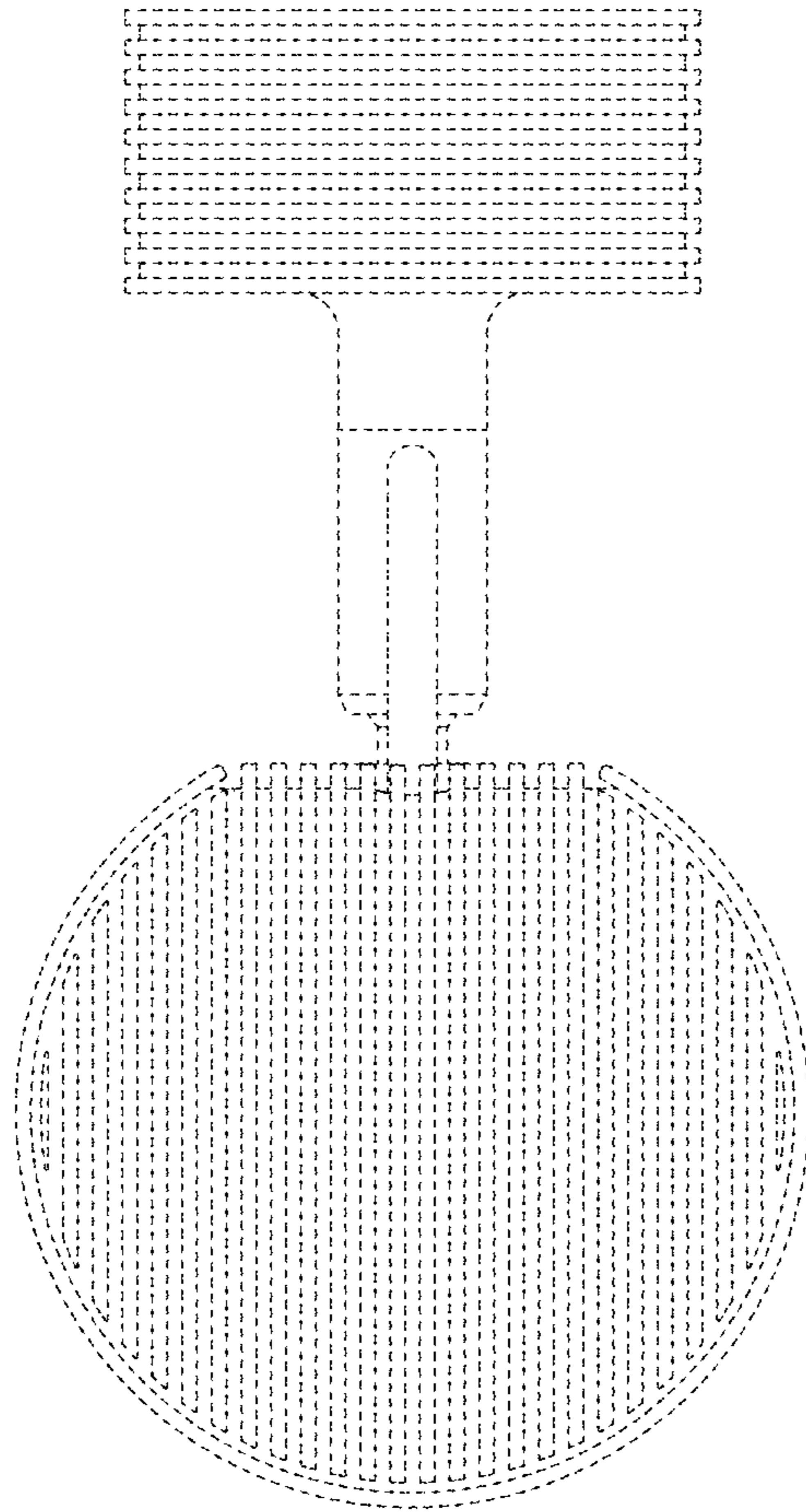


FIG. 12

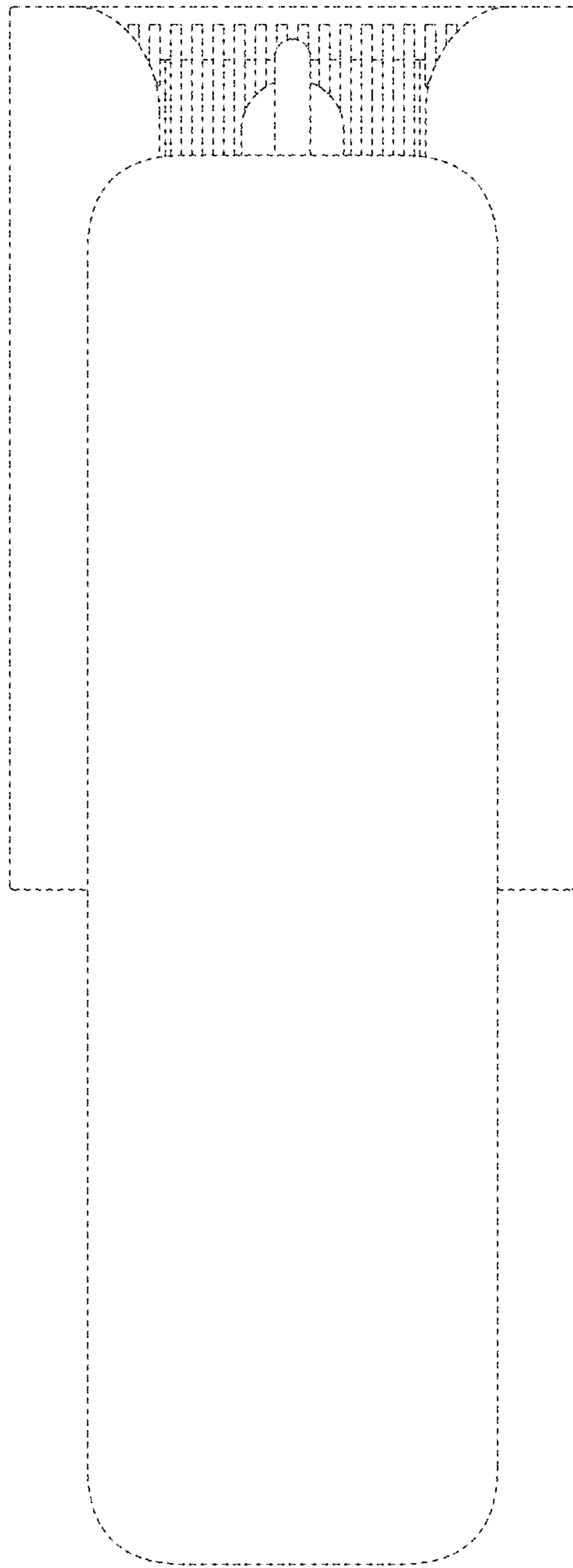


FIG. 13



FIG. 14

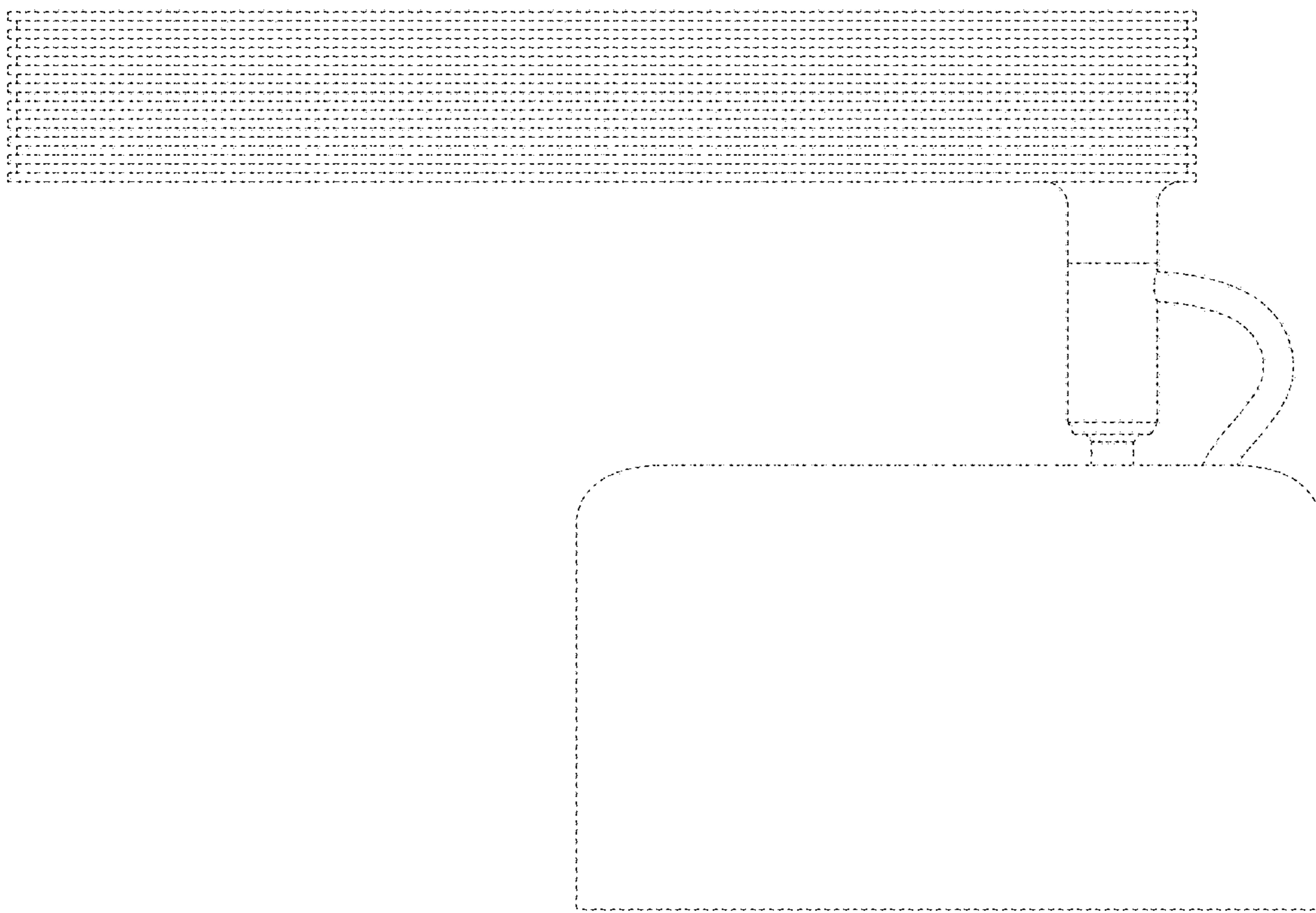


FIG. 15

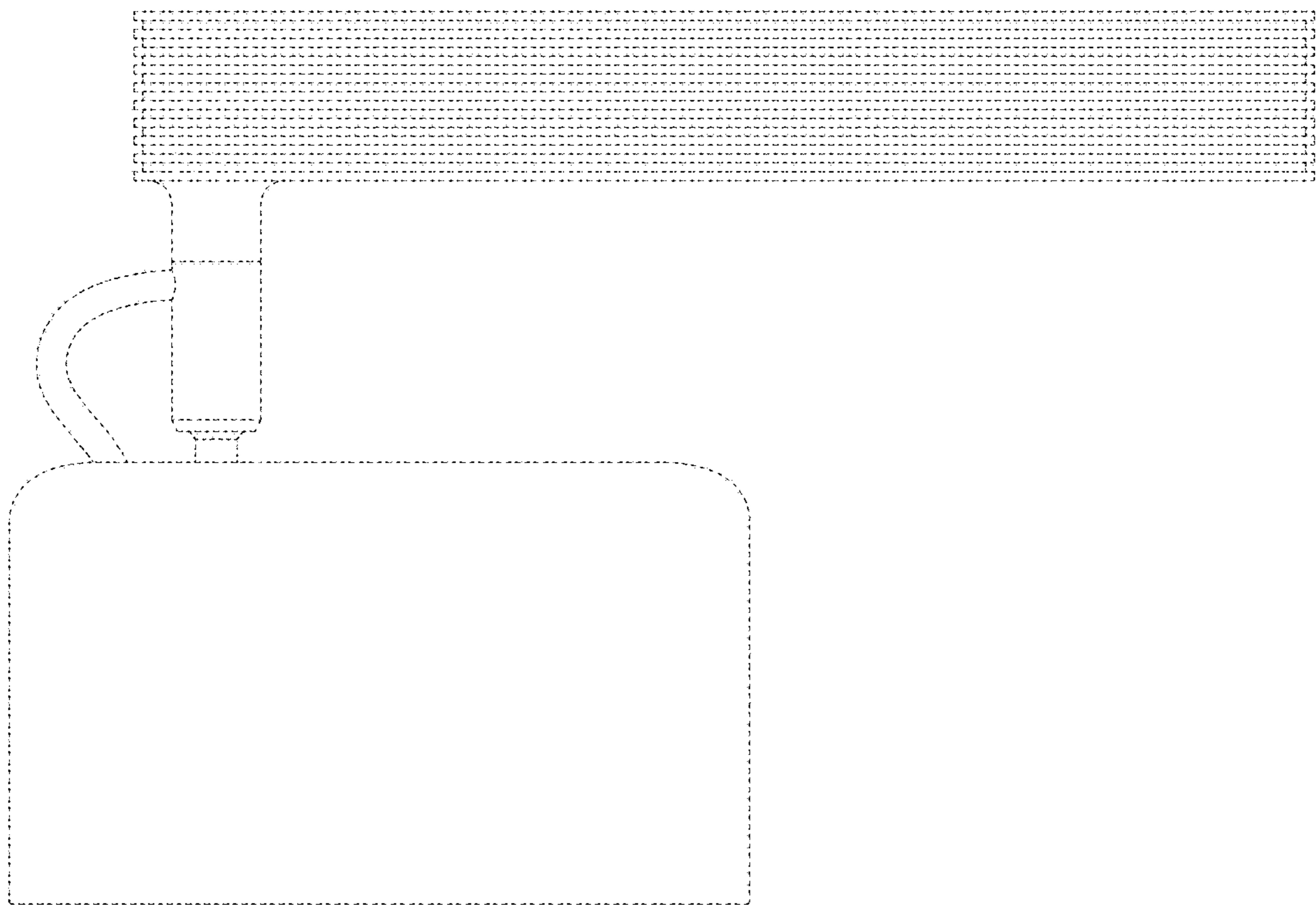


FIG. 16