



US00D790001S

(12) **United States Design Patent**
Parfitt et al.

(10) **Patent No.:** **US D790,001 S**
(45) **Date of Patent:** **** Jun. 20, 2017**

(54) **CAMERA**

(71) Applicant: **GoPro, Inc.**, San Mateo, CA (US)

(72) Inventors: **Benjamin Parfitt**, Mountain View, CA (US); **Fred Bould**, Menlo Park, CA (US); **Richard Gioscia**, Santa Clara, CA (US)

(73) Assignee: **GoPro, Inc.**, San Mateo, CA (US)

(**) Term: **15 Years**

(21) Appl. No.: **29/564,768**

(22) Filed: **May 16, 2016**

Related U.S. Application Data

(62) Division of application No. 29/492,290, filed on May 30, 2014, now Pat. No. Des. 760,309.

(51) **LOC (10) Cl.** **16-01**

(52) **U.S. Cl.**
USPC **D16/202**

(58) **Field of Classification Search**

USPC D16/200, 202–206, 208, 209, 218, 219;
348/294, 373–376; 359/826; 396/6, 301,
396/529, 535, 539–541
CPC G03B 15/03; G03B 17/02; G03B 17/04;
G03B 17/56; G03B 19/04; H04N 5/2251;
H04N 5/2252; H04N 5/2253; H04N
5/2254; H04N 2101/00

See application file for complete search history.

(56) **References Cited**

U.S. PATENT DOCUMENTS

D321,705 S 11/1991 Ohmura et al.
D338,220 S 8/1993 Kohno et al.
D392,659 S 3/1998 Takano
6,233,400 B1 5/2001 Muramatsu et al.
D532,029 S 11/2006 Kim

D532,030 S 11/2006 Yoshida
D532,433 S 11/2006 Sato
D533,574 S 12/2006 Hamamura
D534,564 S 1/2007 Tainaka
D538,322 S 3/2007 Horikiri
7,626,621 B2 12/2009 Ito et al.
7,653,292 B2* 1/2010 Yamaguchi G03B 17/08
348/81
7,683,968 B2 3/2010 Hagihara et al.
(Continued)

OTHER PUBLICATIONS

Chinese Office Action, Chinese Application No. 201430488714.2, Mar. 12, 2015, three pages.

Primary Examiner — Philip S Hyder

Assistant Examiner — Ramzi Almatrahi

(74) *Attorney, Agent, or Firm* — Fenwick & West LLP

(57) **CLAIM**

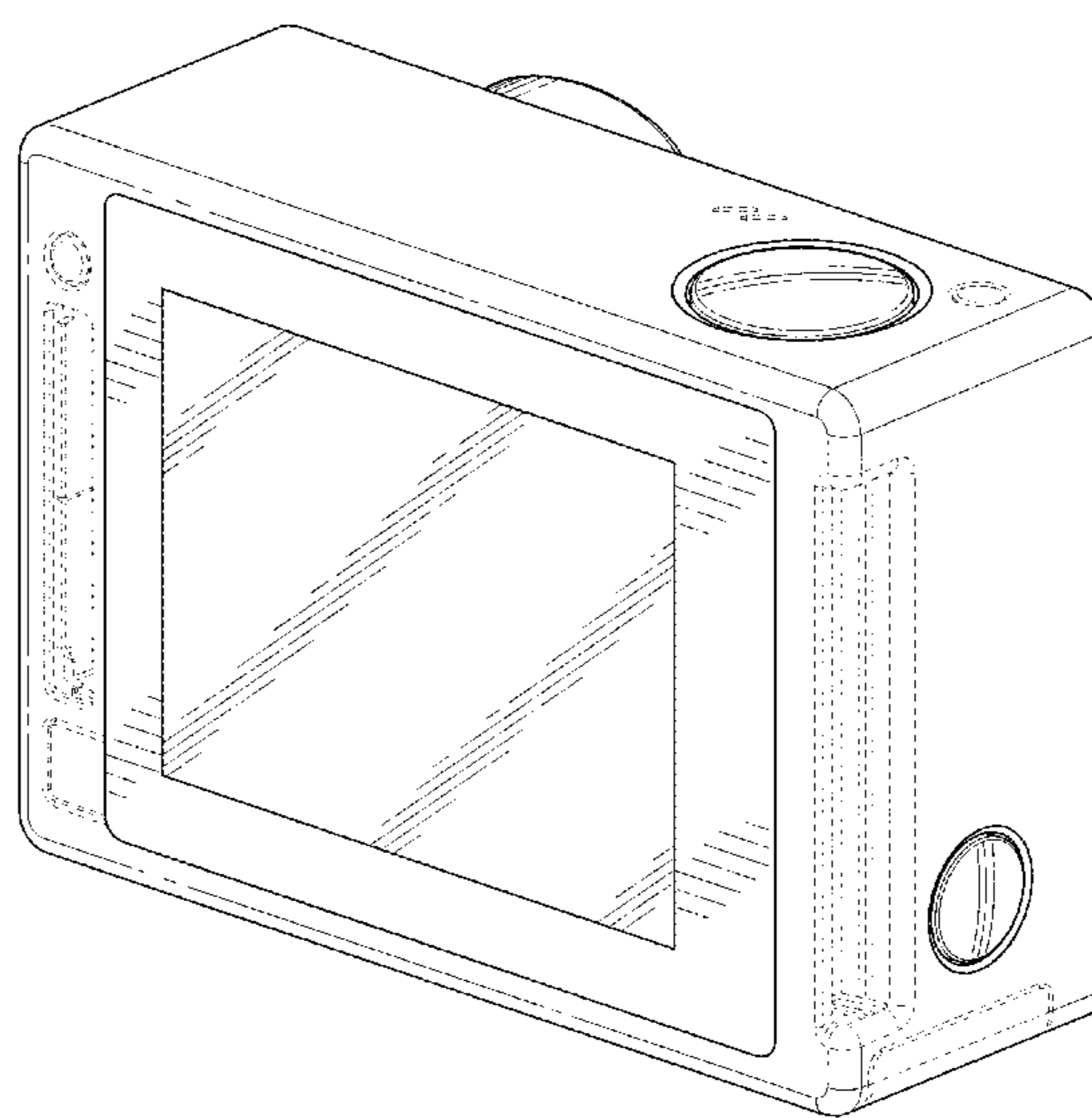
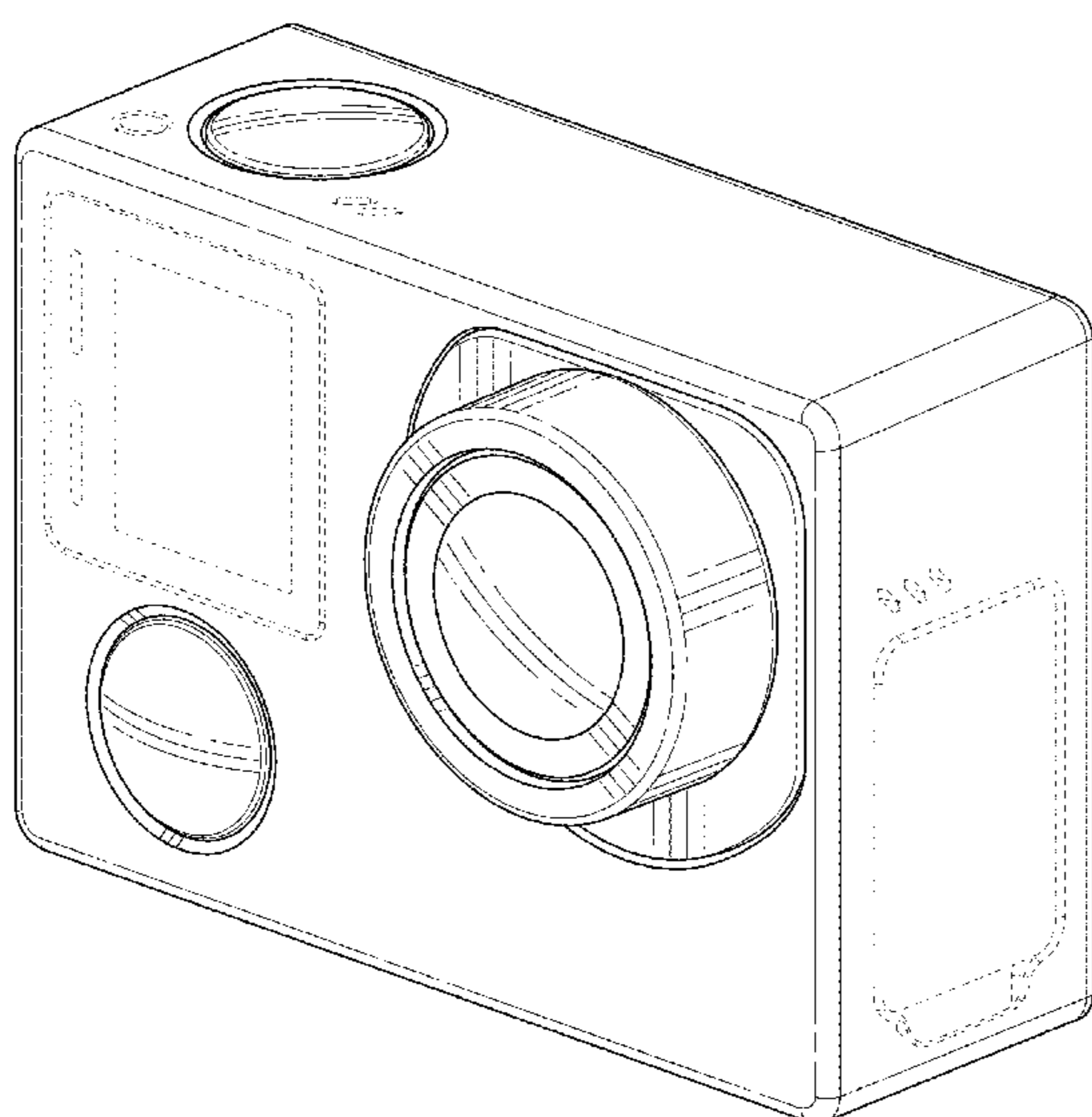
The ornamental design for a camera, as shown and described.

DESCRIPTION

FIG. 1 is a front, top and right side perspective view of a camera showing our new design;
FIG. 2 is a front, bottom and left side perspective view thereof;
FIG. 3 is a back, top and left side perspective view thereof;
FIG. 4 is a back, bottom and right side perspective view thereof;
FIG. 5 is a front elevational view thereof;
FIG. 6 is a back elevational view thereof;
FIG. 7 is a right side elevational view thereof;
FIG. 8 is a left side elevational view thereof;
FIG. 9 is a top plan view thereof; and,
FIG. 10 is a bottom plan view thereof.

The broken lines depict portions of the camera in which the design is embodied and form no part of the claimed design.

1 Claim, 10 Drawing Sheets



(56)

References Cited

U.S. PATENT DOCUMENTS

D702,276 S *	4/2014	Woodman	D16/219
D721,395 S *	1/2015	Woodman	D16/218
D732,593 S *	6/2015	Woodman	D16/200
D737,879 S *	9/2015	Woodman	D16/218
D751,131 S *	3/2016	Woodman	D16/218
D759,145 S *	6/2016	Lee	D16/219
D760,309 S *	6/2016	Parfitt	D16/202
D762,759 S *	8/2016	Wu	D16/218
2005/0019029 A1	1/2005	Kawakami	

* cited by examiner

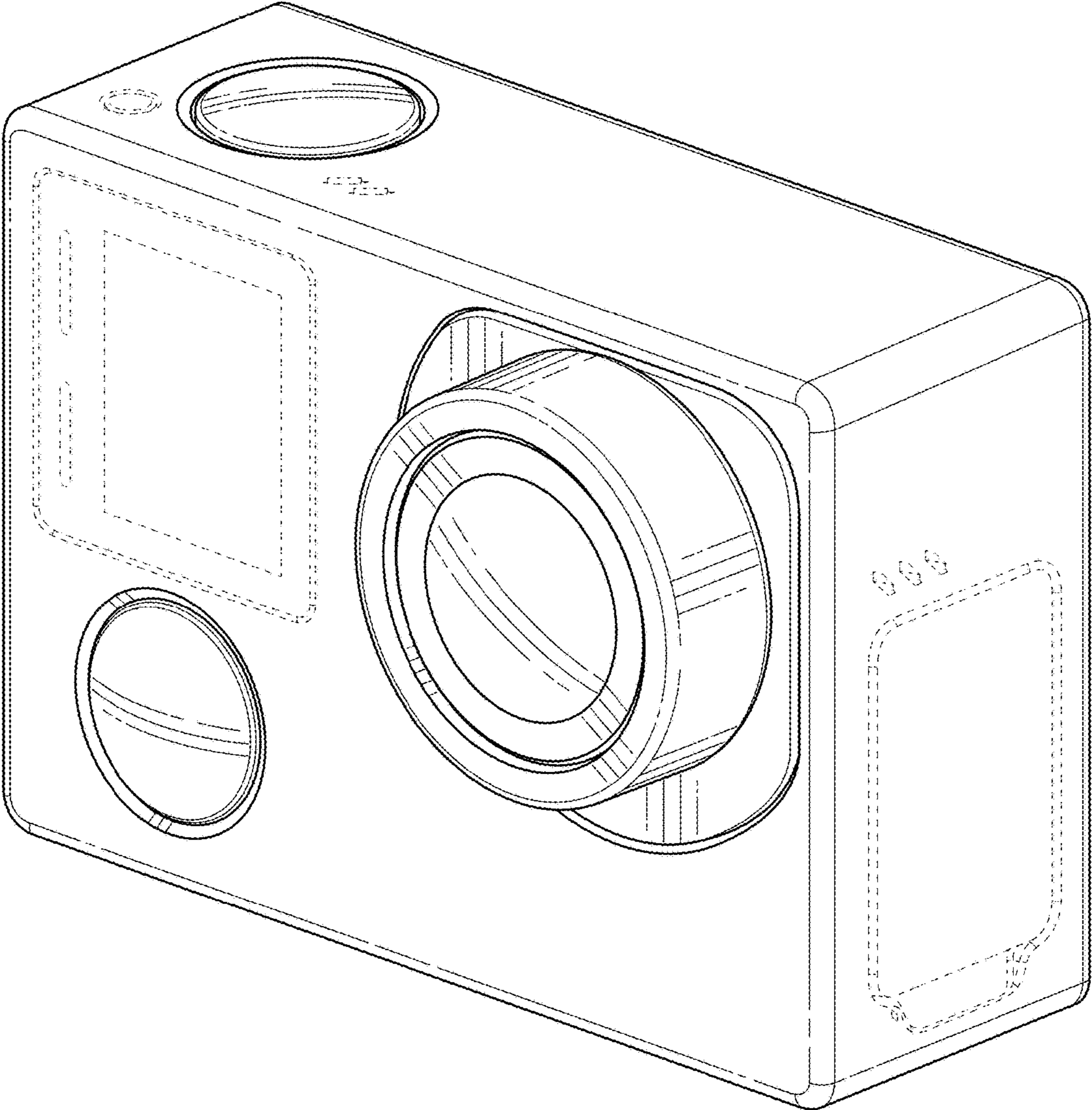


FIG. 1

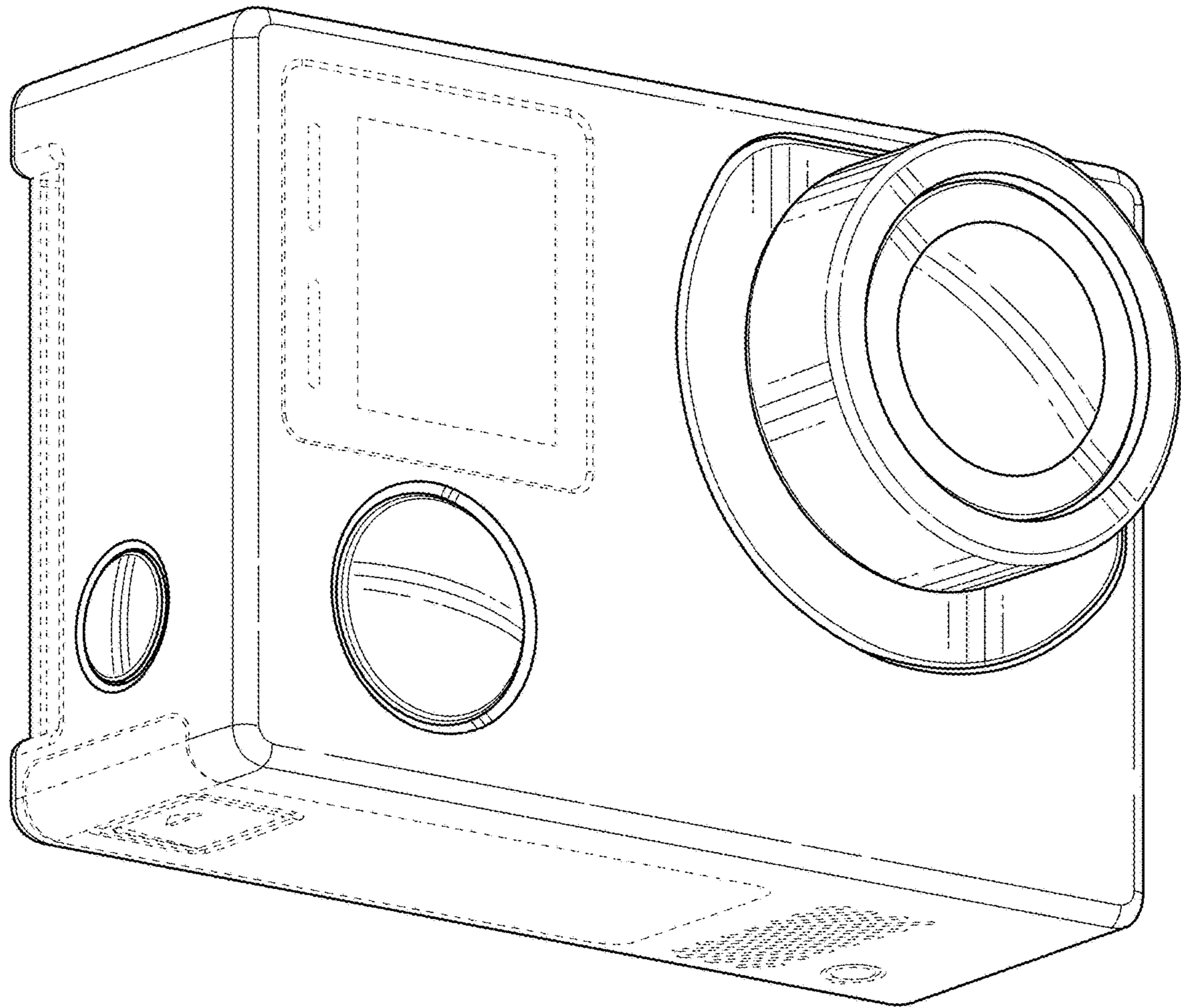


FIG. 2

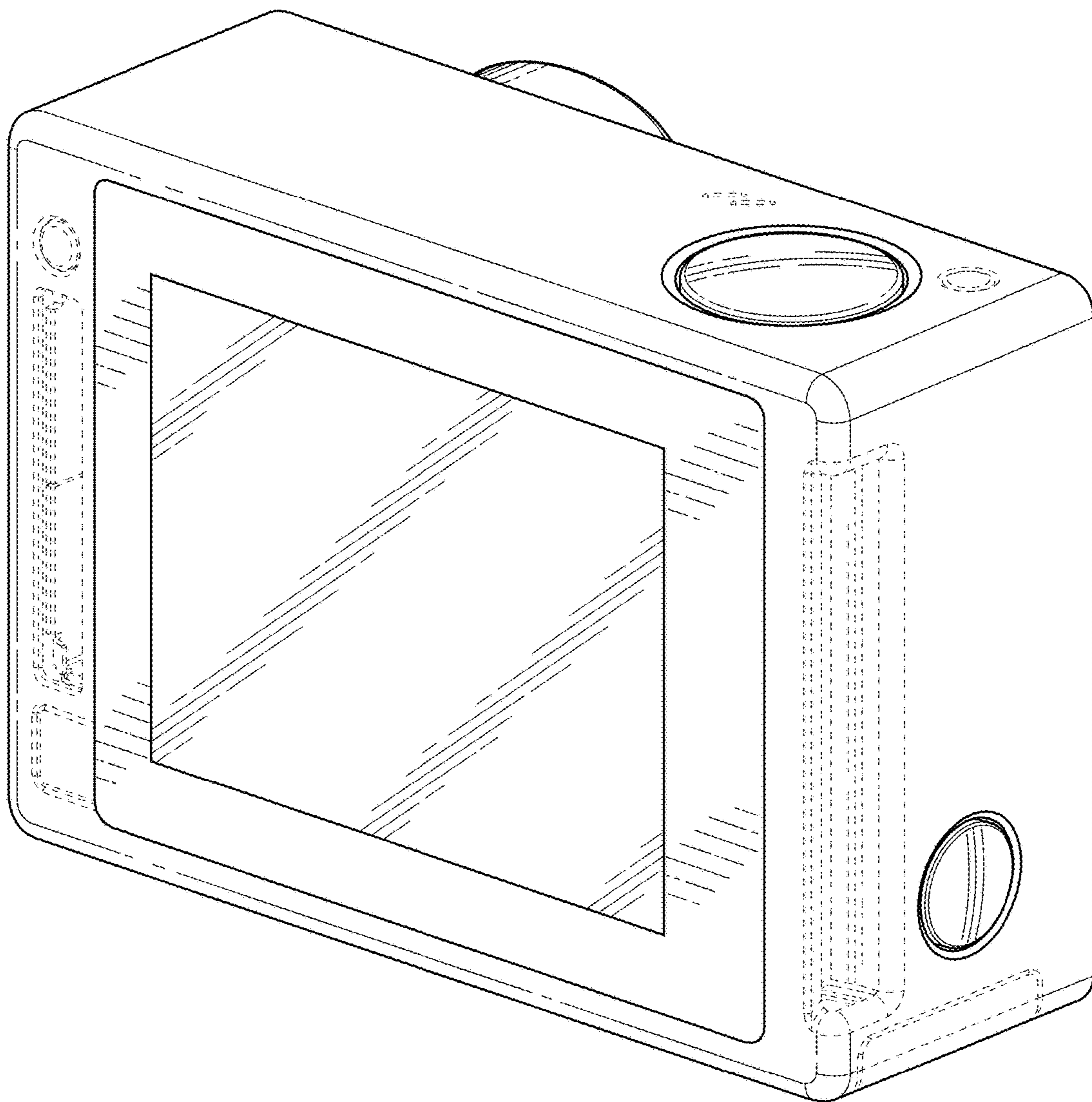


FIG. 3

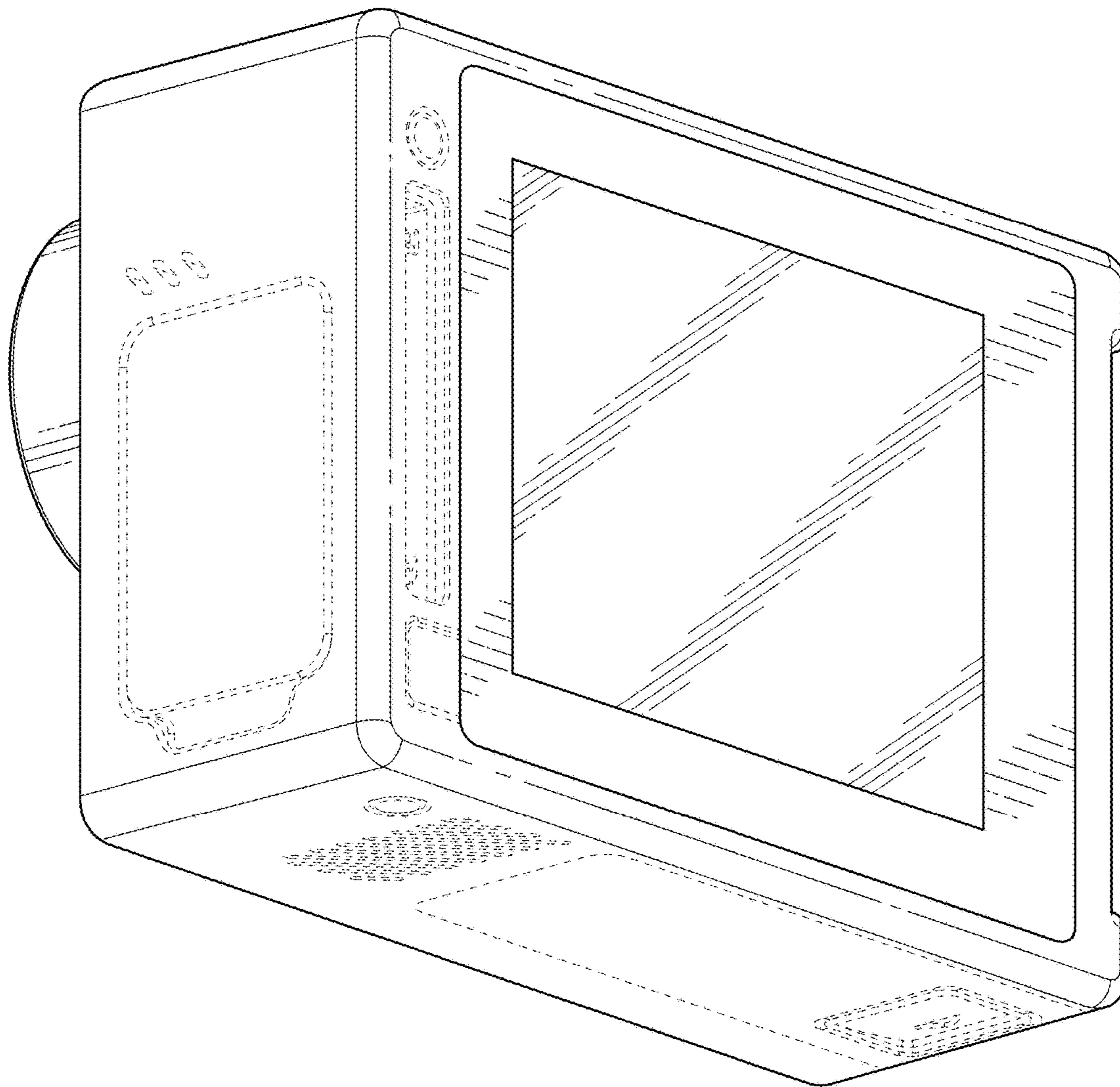


FIG. 4

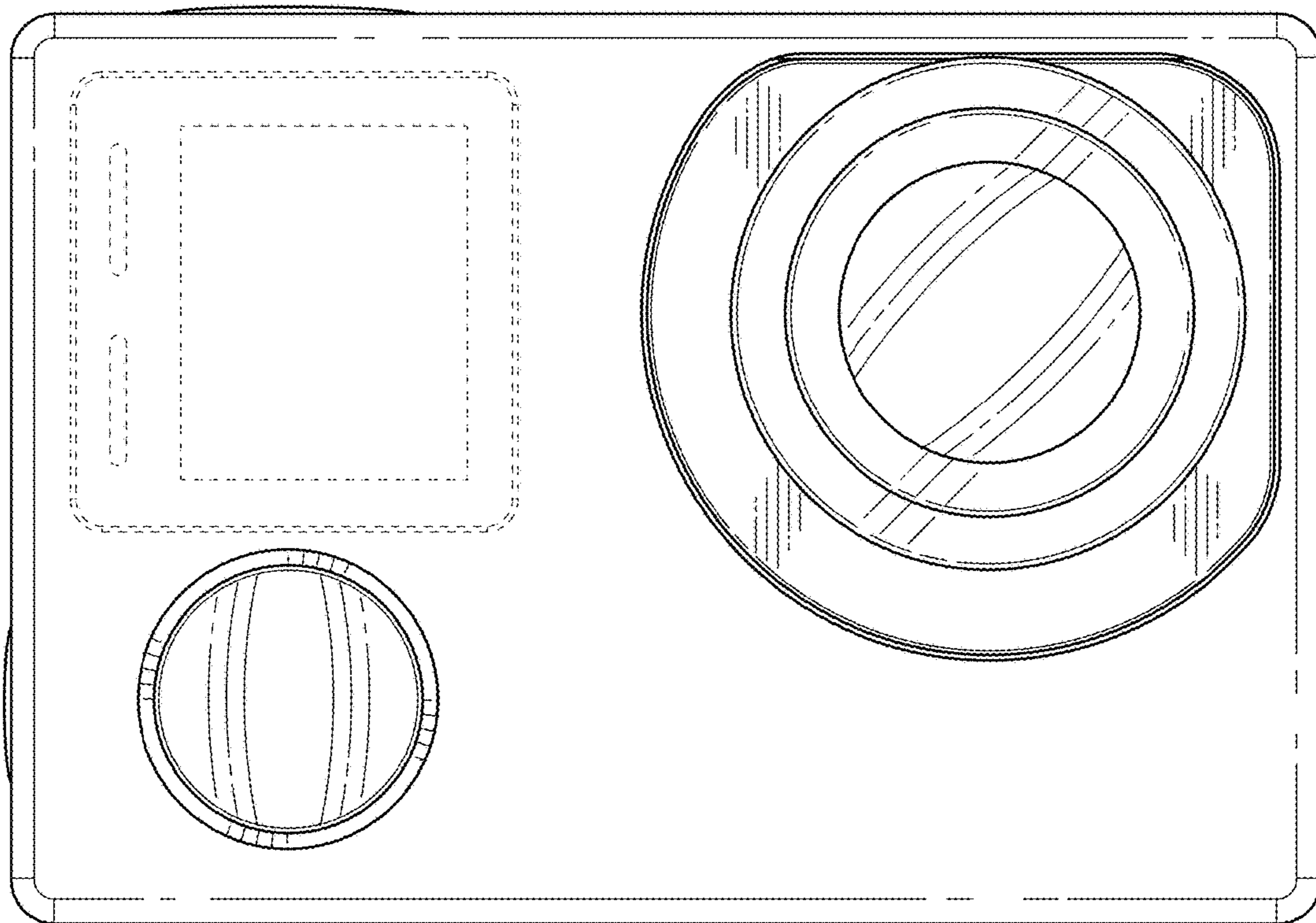


FIG. 5

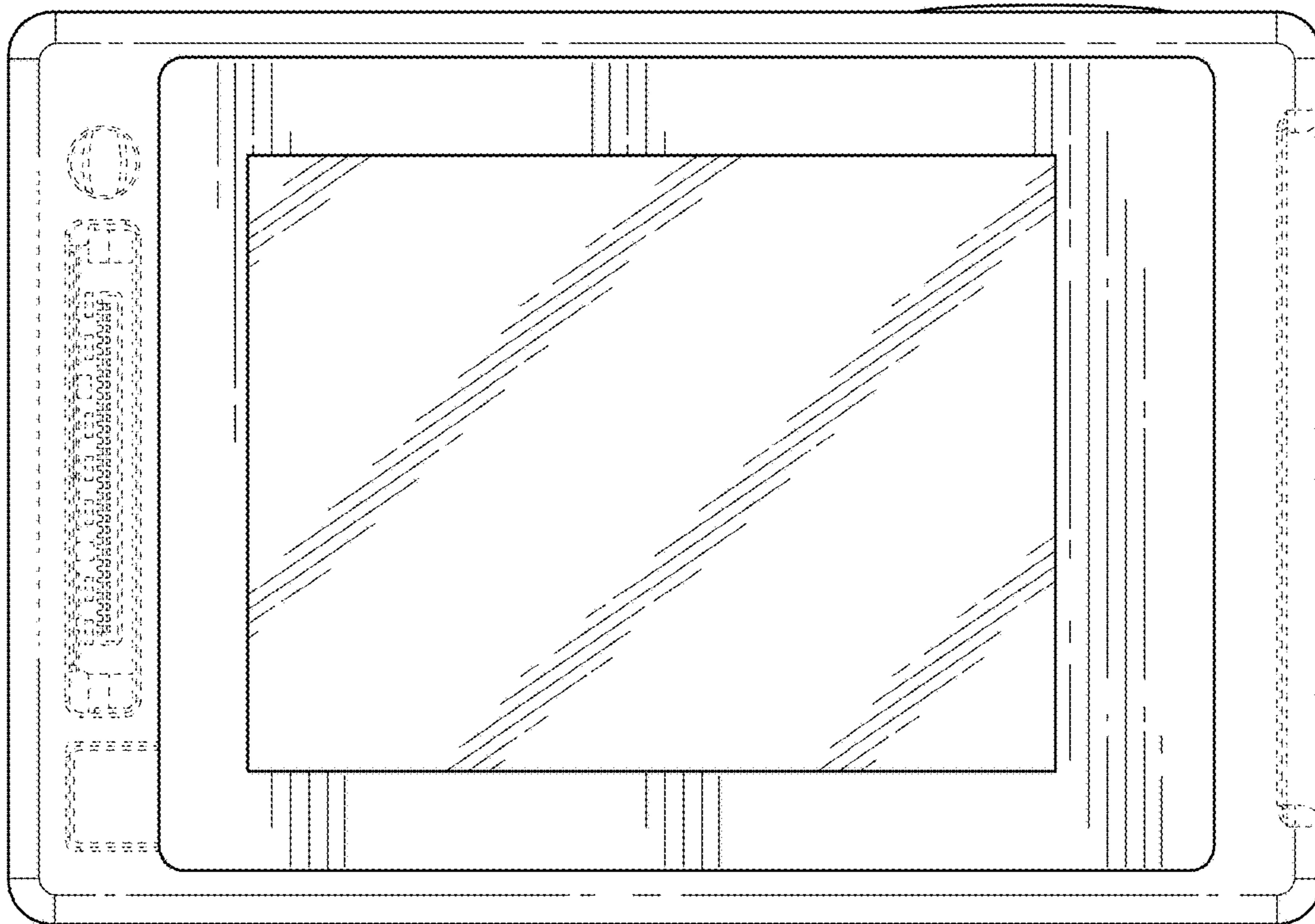


FIG. 6

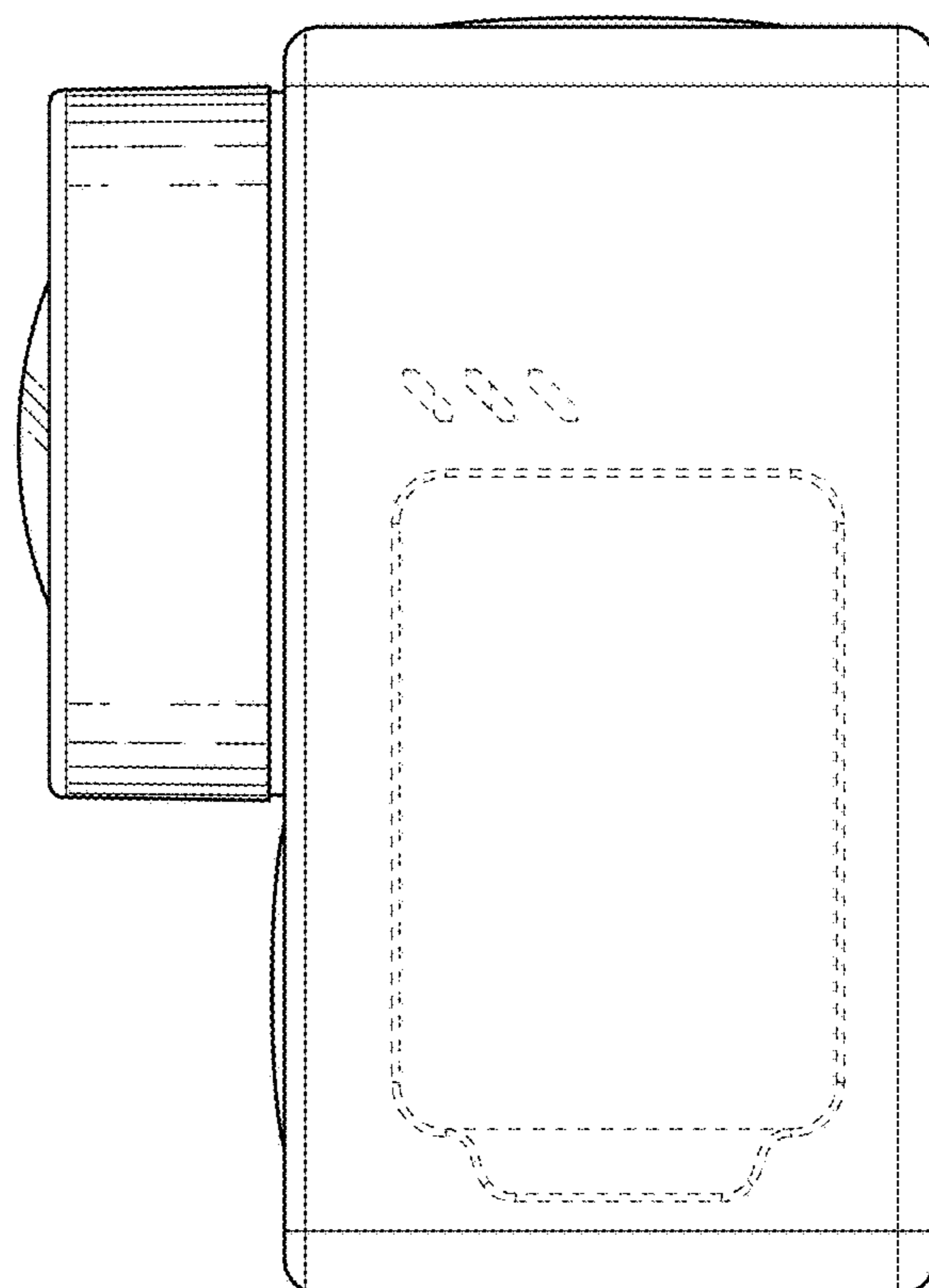


FIG. 7

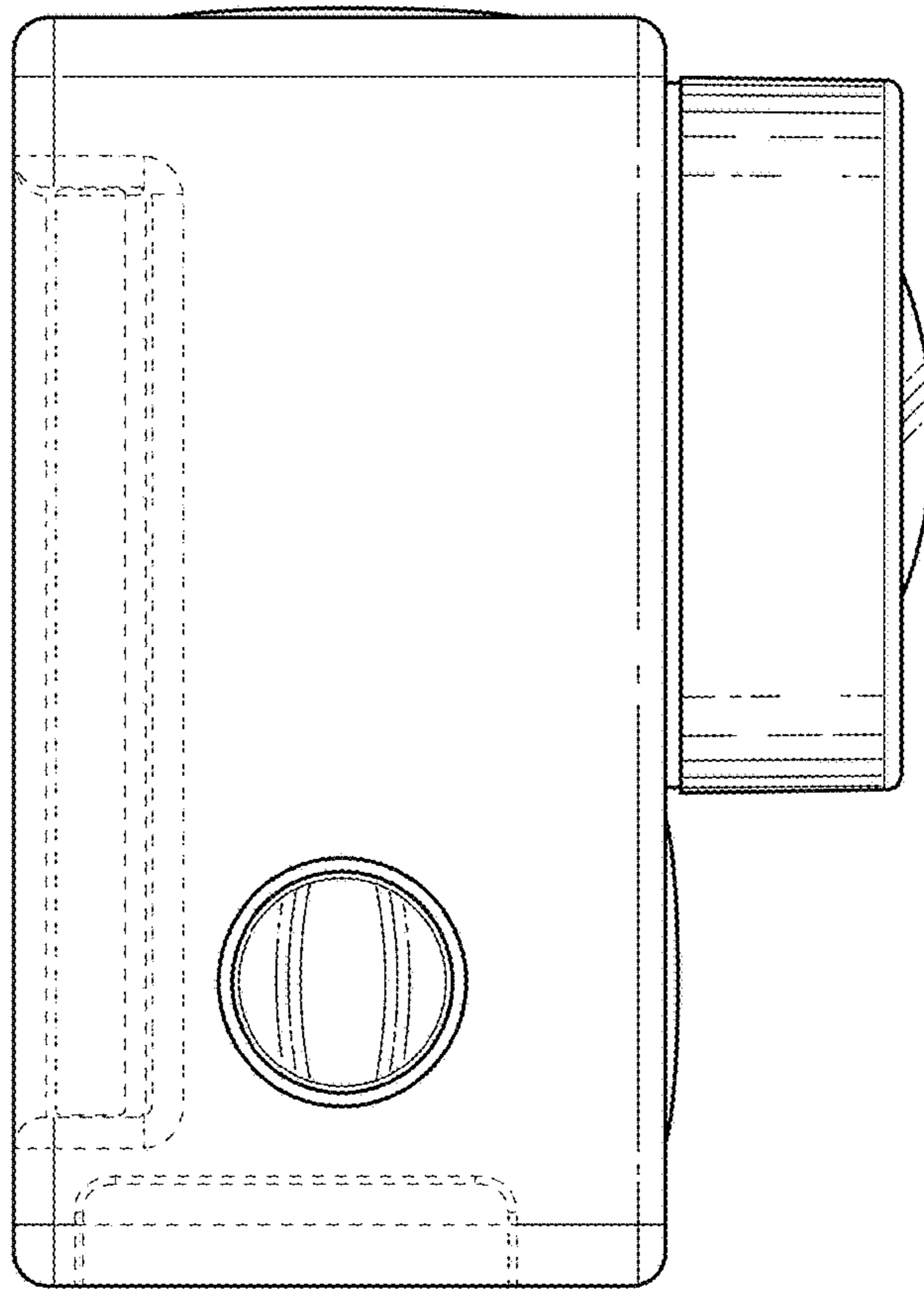


FIG. 8

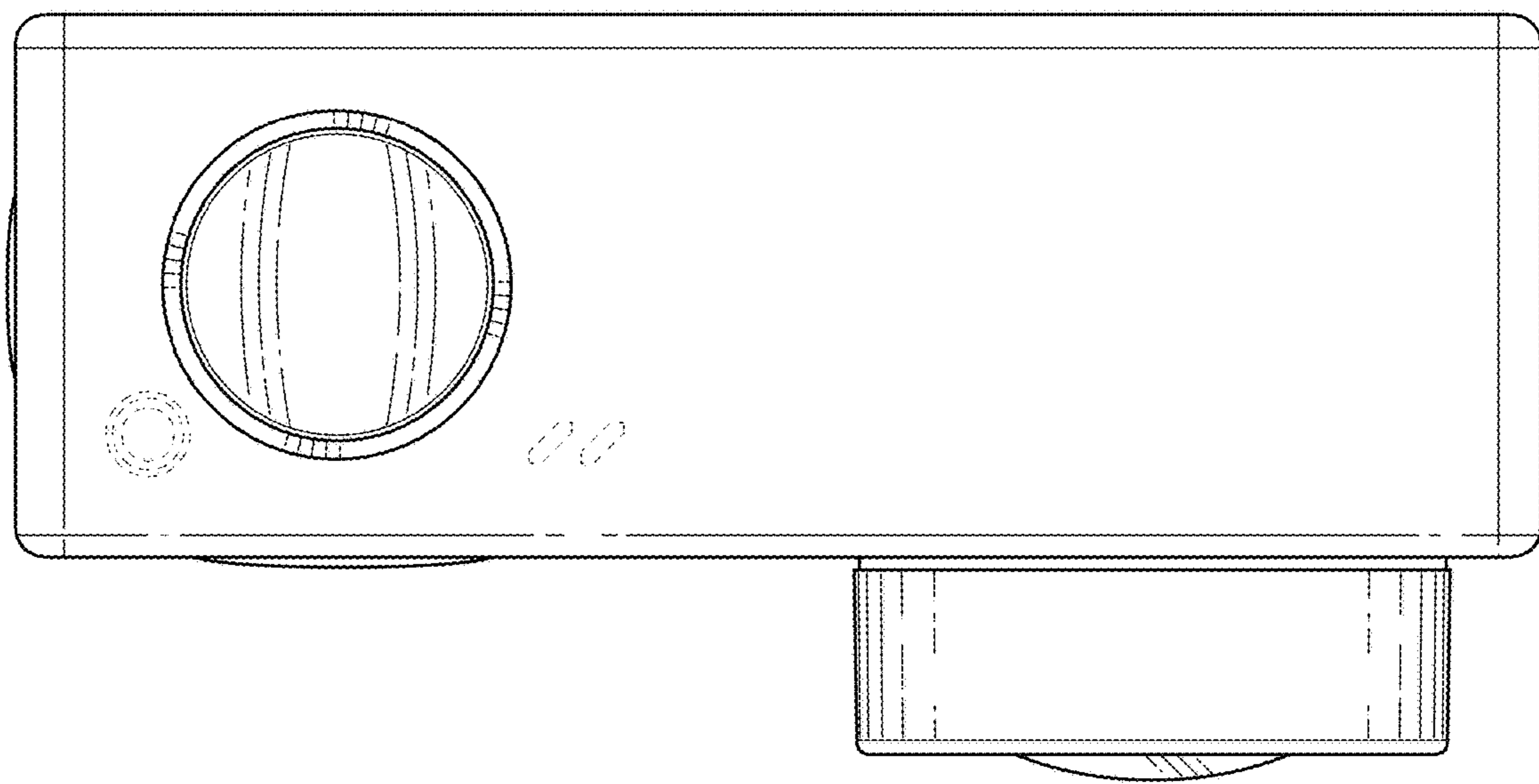


FIG. 9

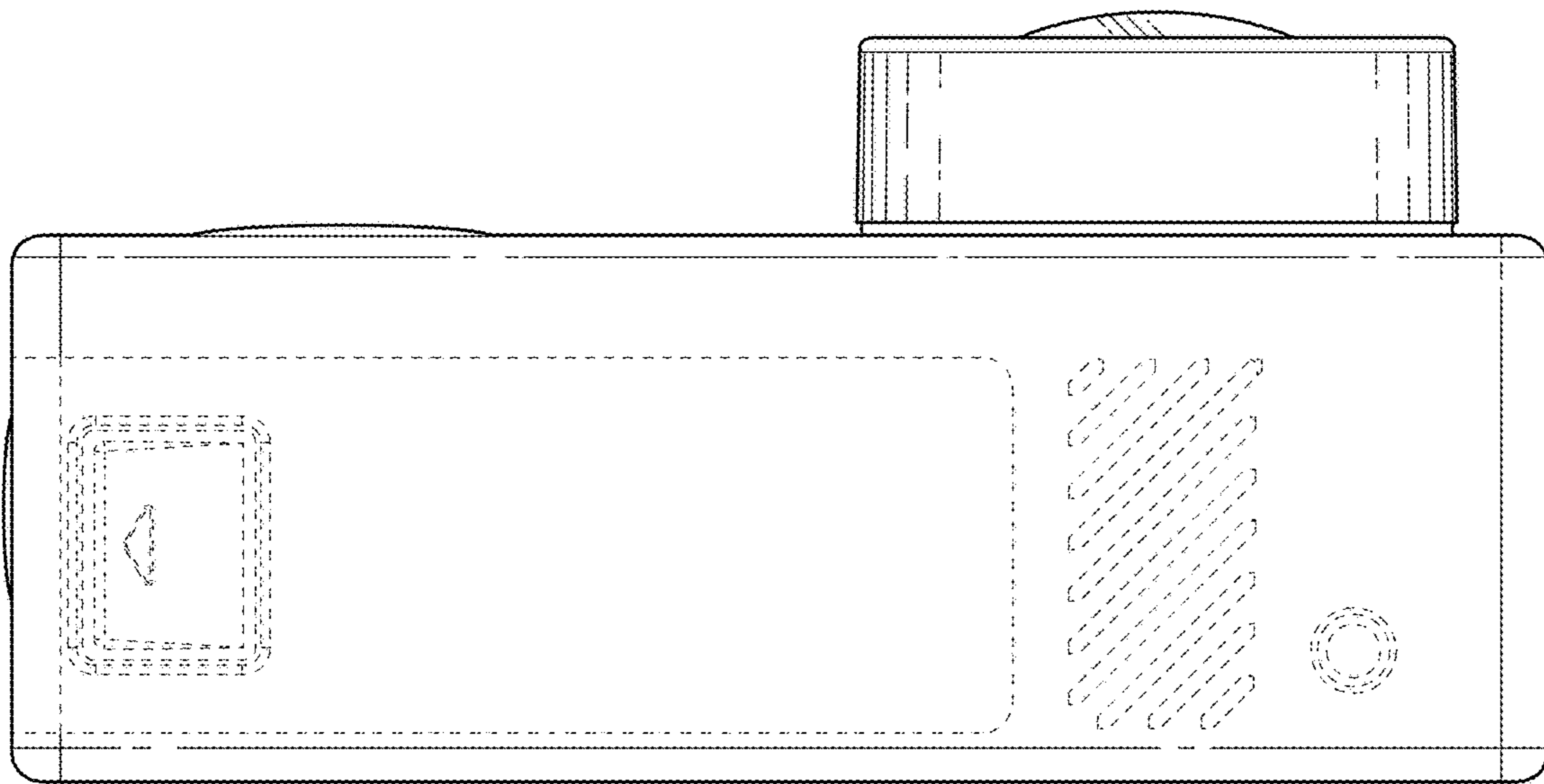


FIG. 10