



US00D790000S

(12) **United States Design Patent**
Wang et al.

(10) **Patent No.:** **US D790,000 S**
(45) **Date of Patent:** **** Jun. 20, 2017**

- (54) **CAMERA WITH GIMBAL**
- (71) Applicant: **SZ DJI Osmo Technology Co., Ltd.**,
Shenzhen (CN)
- (72) Inventors: **Zhen Wang**, Shenzhen (CN); **Dahu Pan**, Shenzhen (CN)
- (73) Assignee: **SZ DJI Osmo Technology Co., Ltd.**,
Shenzhen (CN)
- (**) Term: **15 Years**
- (21) Appl. No.: **29/552,821**
- (22) Filed: **Jan. 26, 2016**
- (51) **LOC (10) Cl.** **16-01**
- (52) **U.S. Cl.**
USPC **D16/200**
- (58) **Field of Classification Search**
USPC D16/134, 136, 200, 202, 206, 208, 209,
D16/218, 219
CPC ... B64C 2201/126; G03B 15/03; H04N 5/232
See application file for complete search history.

(56) **References Cited**

U.S. PATENT DOCUMENTS

7,457,536	B2 *	11/2008	Hamada	G03B 15/05 348/371
D654,109	S *	2/2012	Pardi	D16/203
D694,802	S *	12/2013	Coyle	D16/237
D699,776	S *	2/2014	Li	D16/200
D699,777	S *	2/2014	Li	D16/200
9,016,617	B2 *	4/2015	Wang	B64C 39/024 244/17.17
D732,601	S *	6/2015	Coyle	D16/237
D738,951	S *	9/2015	Coyle	D16/237
D741,779	S *	10/2015	Hsiao	D12/16.1
9,221,536	B2 *	12/2015	Wang	B64C 39/024
9,221,537	B2 *	12/2015	Wang	B64C 39/024
9,233,754	B1 *	1/2016	Wang	B64C 39/024

9,277,130	B2 *	3/2016	Wang		
9,284,049	B1 *	3/2016	Wang	B64C 39/024
D754,242	S *	4/2016	Wang	D16/242
9,394,048	B2 *	7/2016	Wang	B64C 27/08
2005/0135078	A1 *	6/2005	Hamada	G03B 15/05 362/3
2007/0122138	A1 *	5/2007	Sugiyama	G03B 15/03 396/182
2016/0083110	A1 *	3/2016	Pan	G03B 17/561 348/144
2016/0144961	A1 *	5/2016	Pan	G03B 17/561 244/137.4

(Continued)

Primary Examiner — Manpreet Matharu

Assistant Examiner — Yolanda Robinson

(74) *Attorney, Agent, or Firm* — Sterne, Kessler,
Goldstein & Fox P.L.L.C.

(57) **CLAIM**

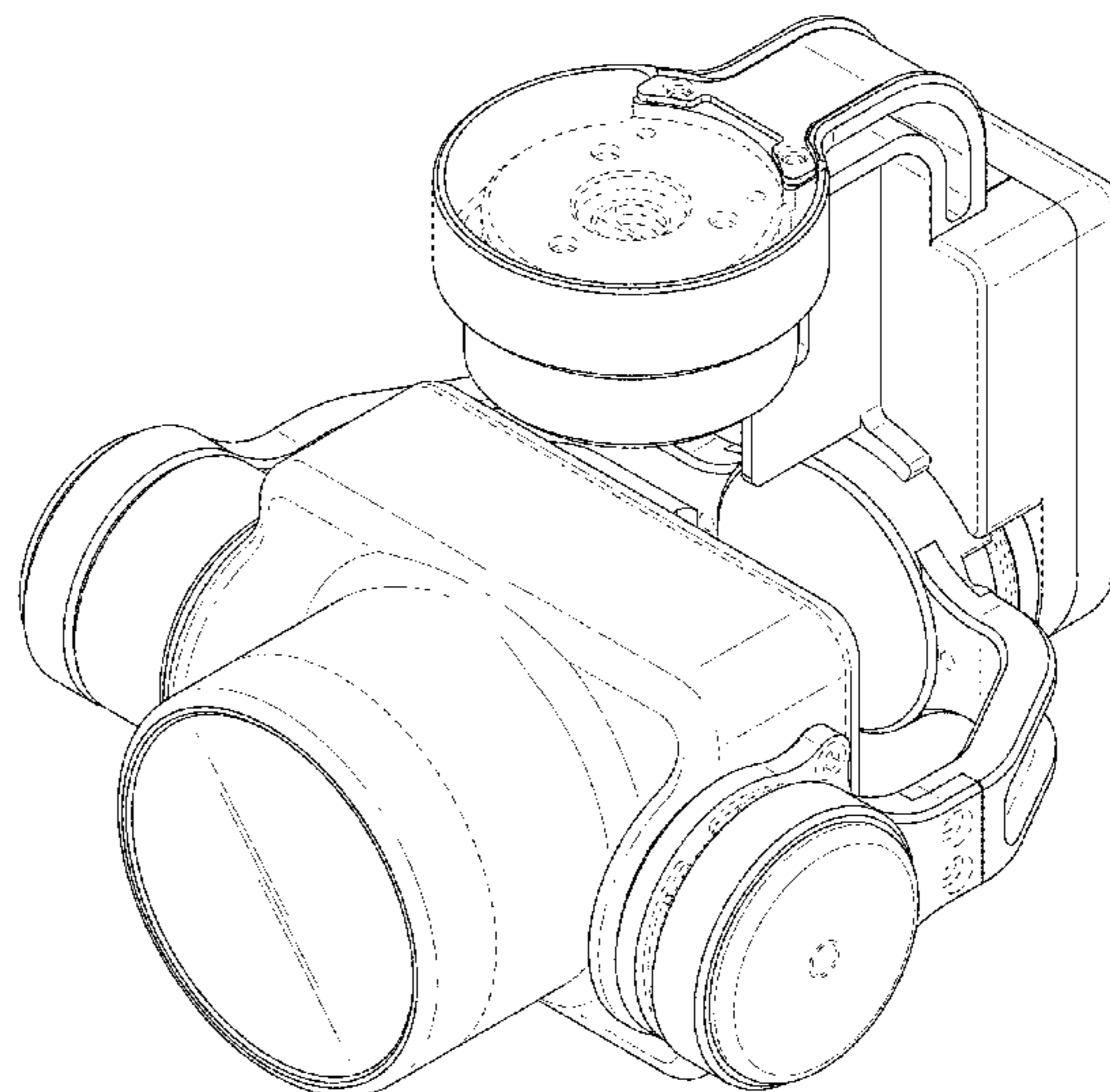
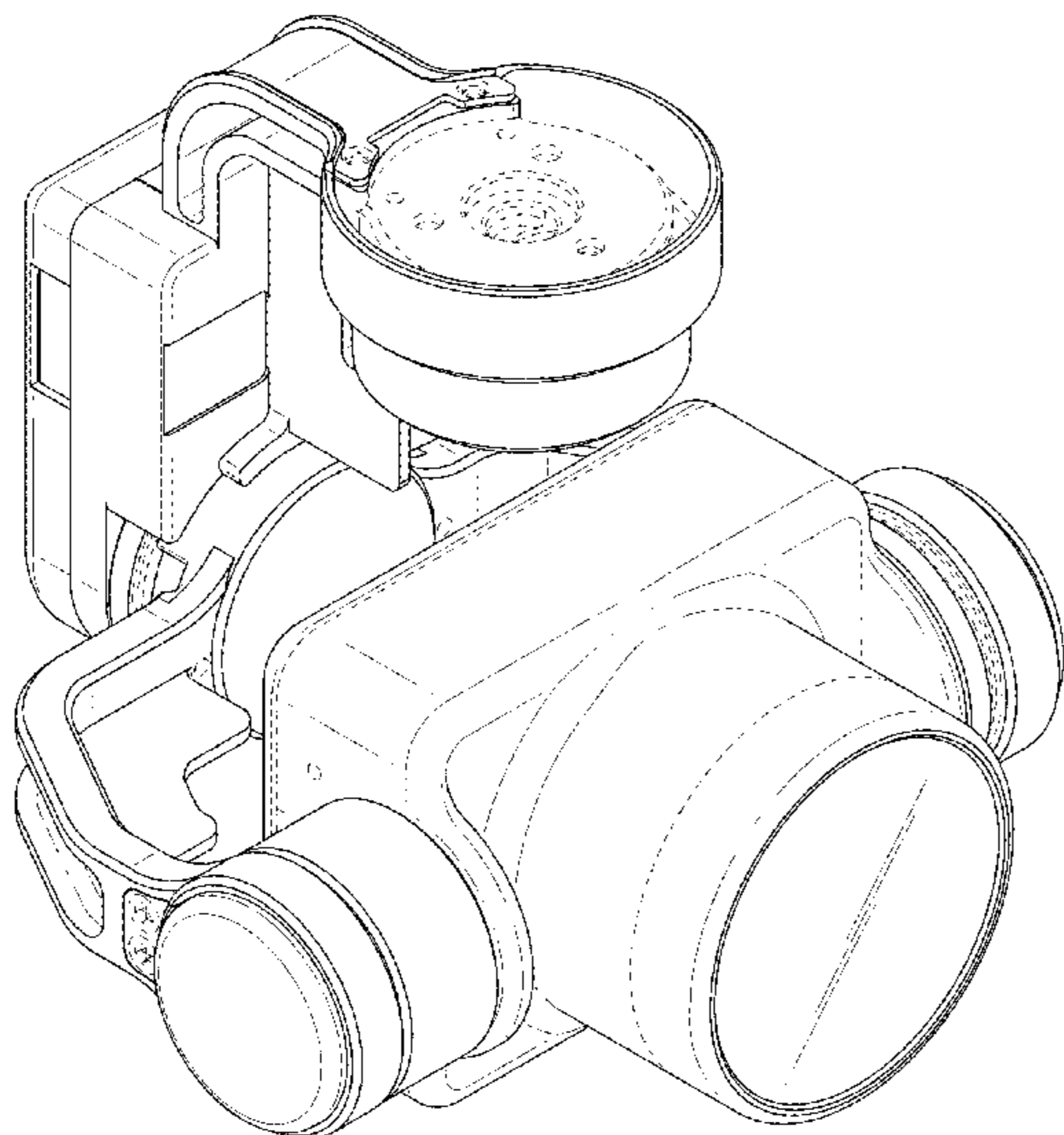
The ornamental design for a camera with gimbal, as shown and described.

DESCRIPTION

FIG. 1 is a top front perspective view of a camera with gimbal showing the claimed design;
 FIG. 2 is a top front perspective view thereof;
 FIG. 3 is a front view thereof;
 FIG. 4 is a rear view thereof;
 FIG. 5 is a right side view thereof;
 FIG. 6 is a left side view thereof;
 FIG. 7 is a top view thereof; and,
 FIG. 8 is a bottom view thereof.

The broken lines in the figures show portions of the camera with gimbal that form no part of the claimed design.
 The shade lines in the figures show contour and not surface ornamentation.
 The oblique shade lines in the figures show transparency or translucency.

1 Claim, 8 Drawing Sheets



(56)

References Cited

U.S. PATENT DOCUMENTS

2016/0150134 A1* 5/2016 Katoh G01C 21/18
348/373
2016/0198088 A1* 7/2016 Wang H04N 5/23238
348/36
2016/0229556 A1* 8/2016 Zhou B64D 47/08
2016/0246162 A1* 8/2016 Niemeyer G03B 17/561
2016/0255249 A1* 9/2016 Pan G03B 17/561
2016/0272163 A1* 9/2016 Dreiocker B60S 1/56

* cited by examiner

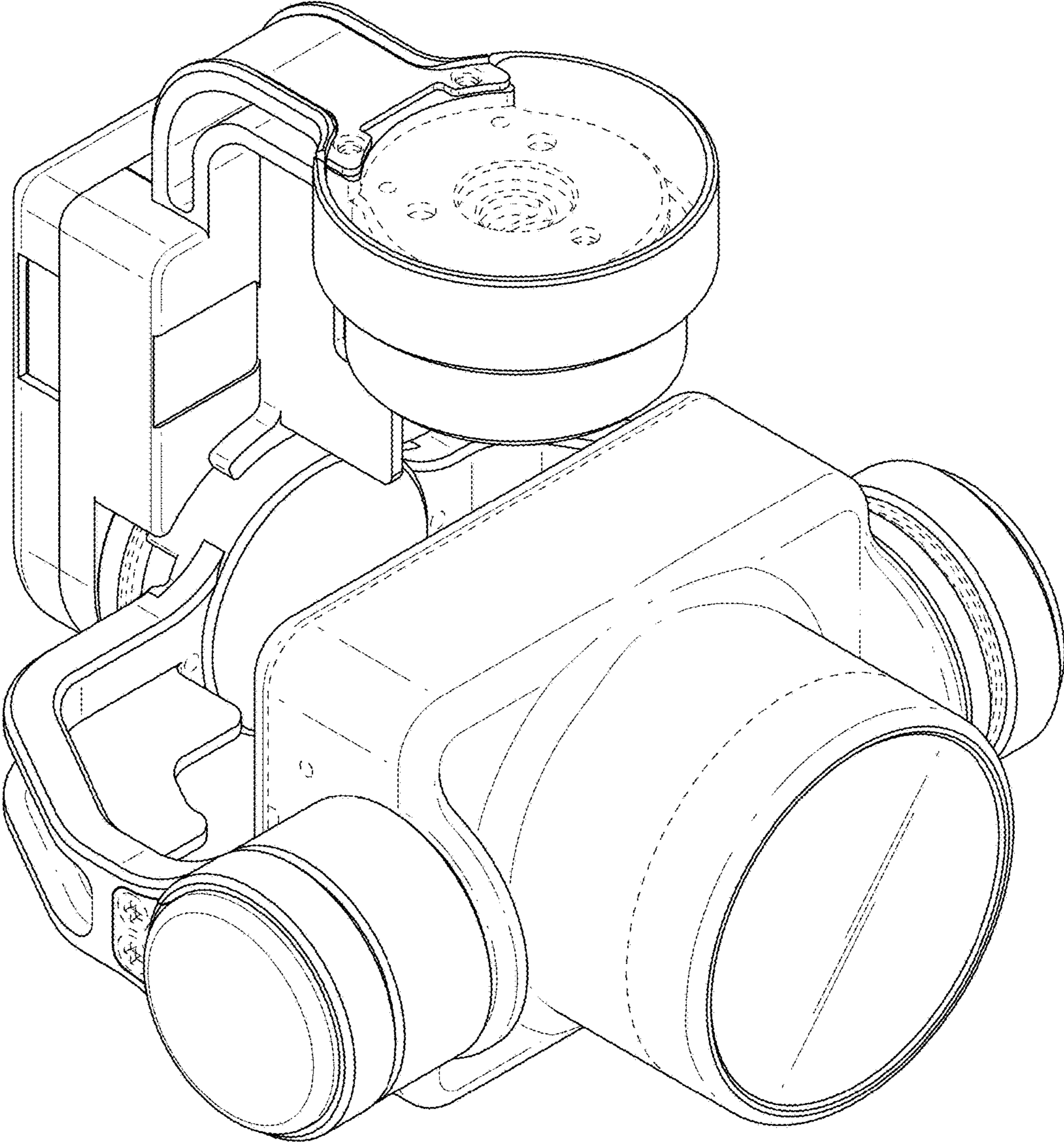


FIG. 1

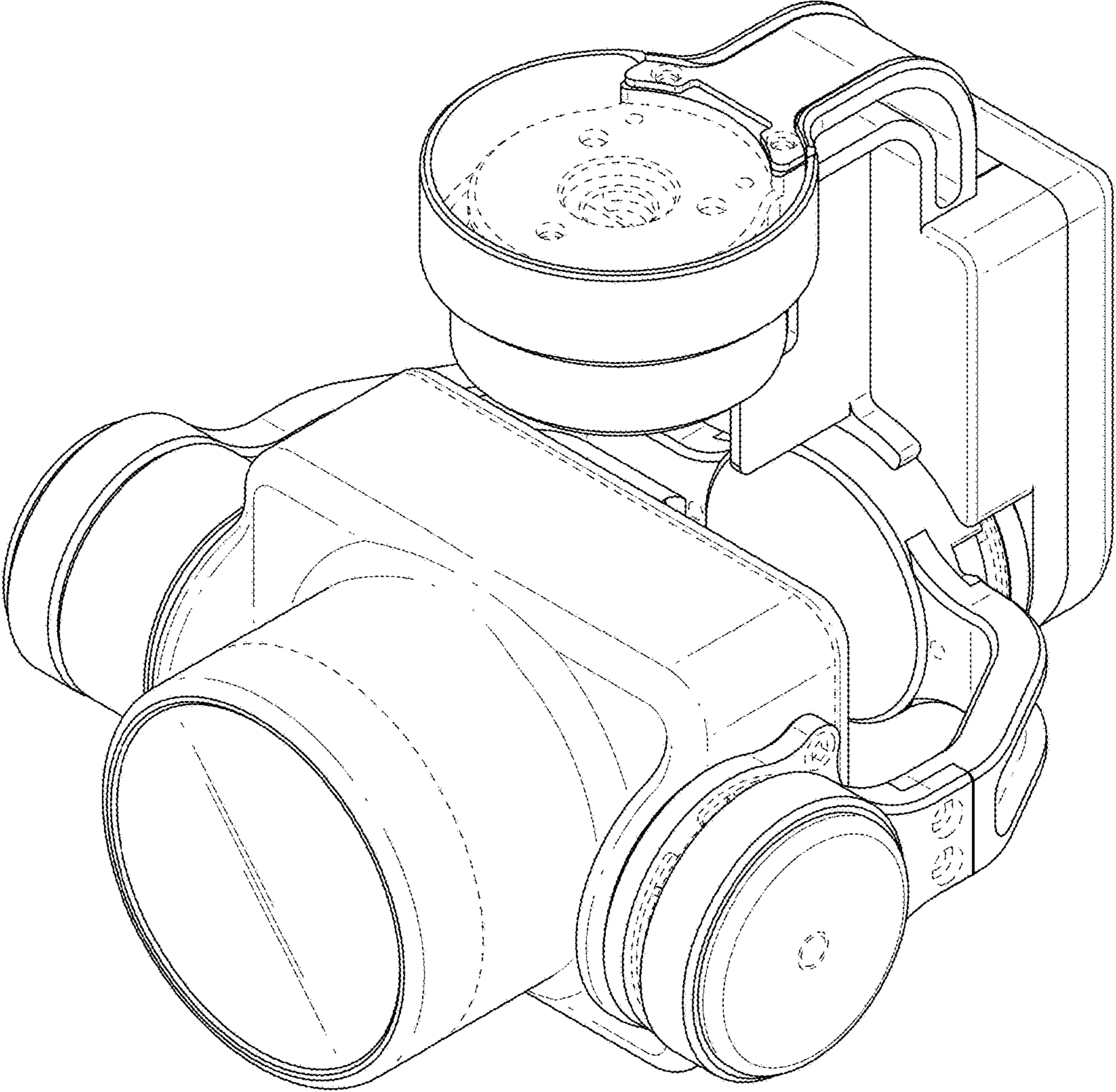


FIG. 2

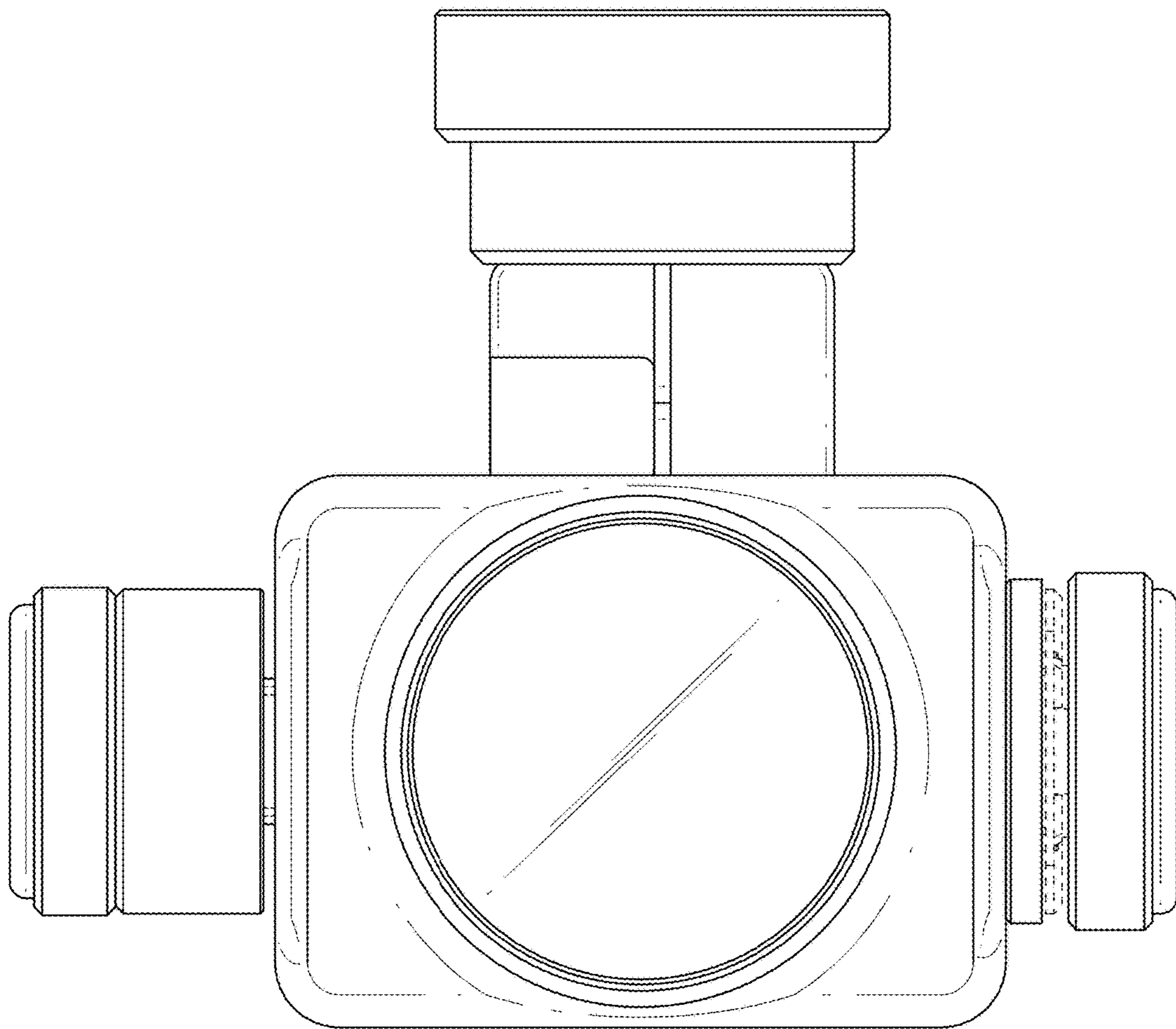


FIG. 3

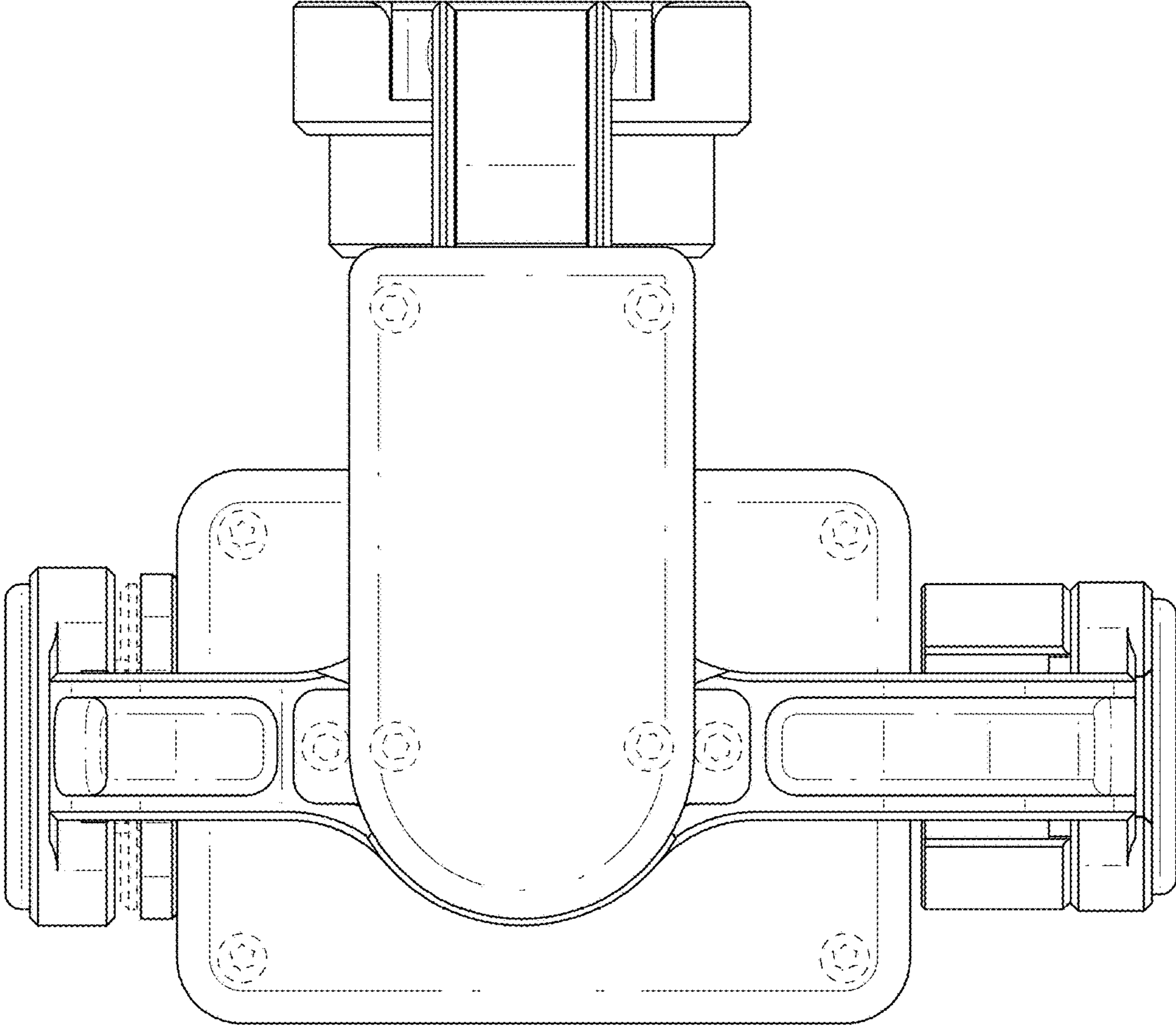


FIG. 4

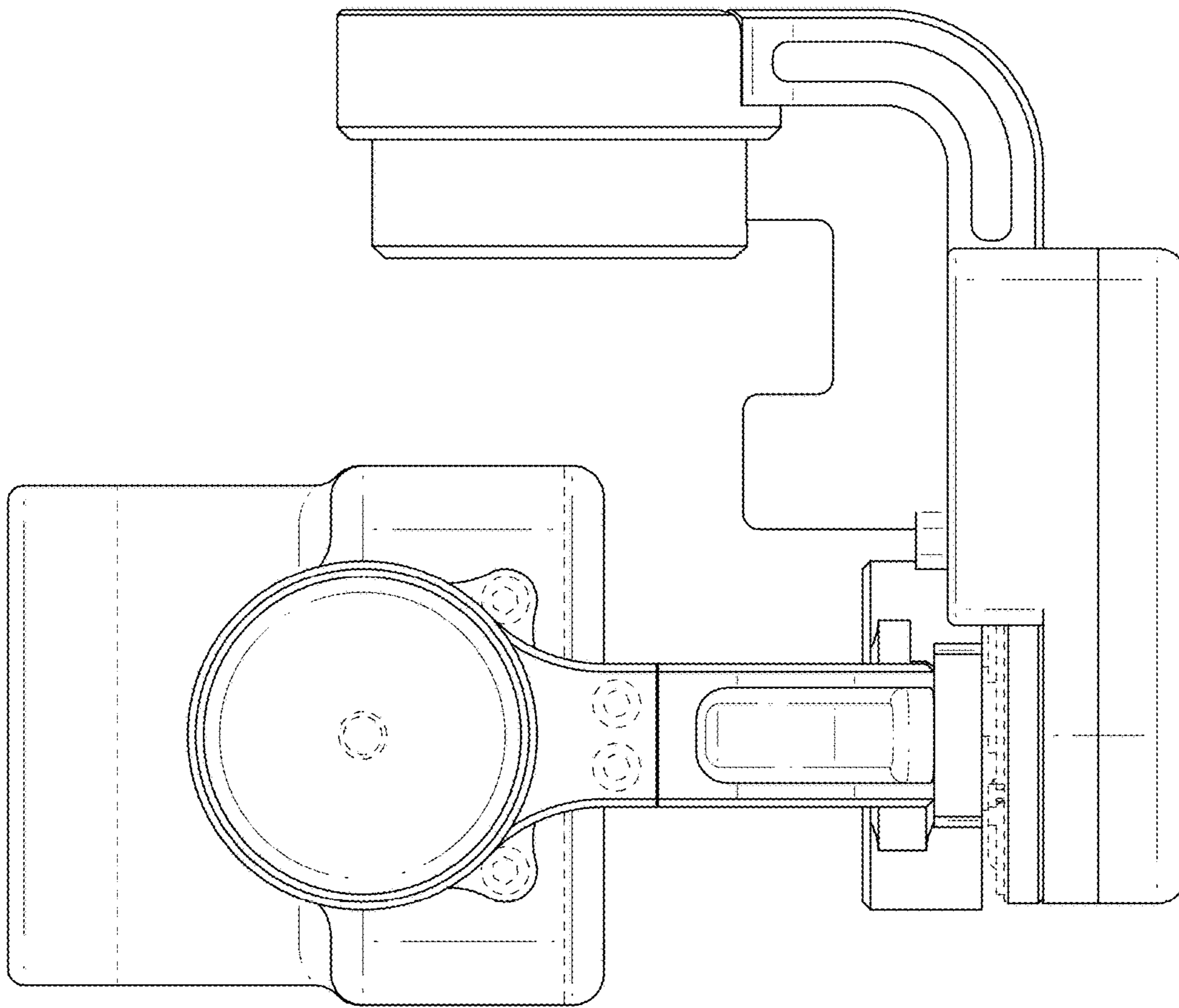


FIG. 5

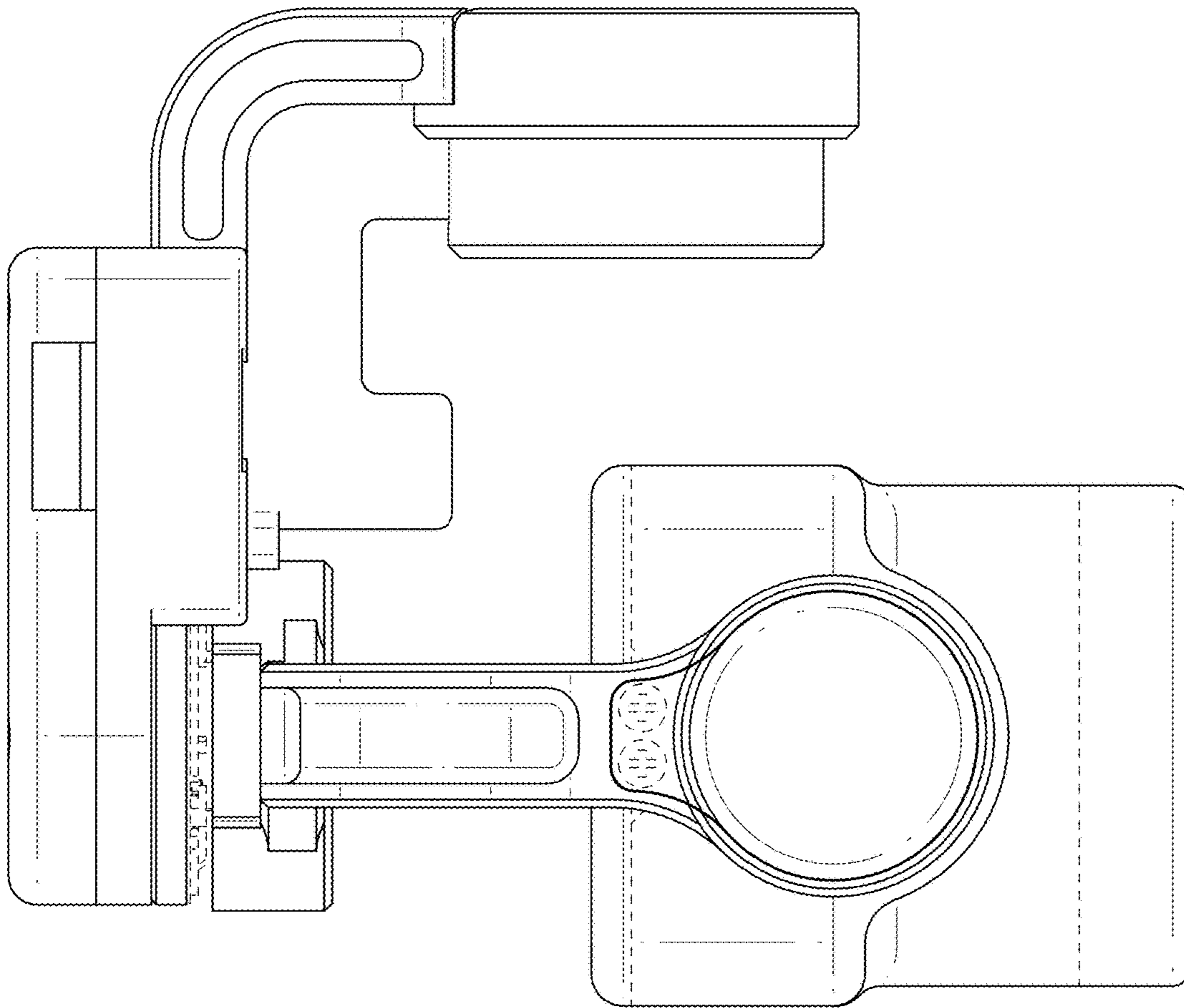


FIG. 6

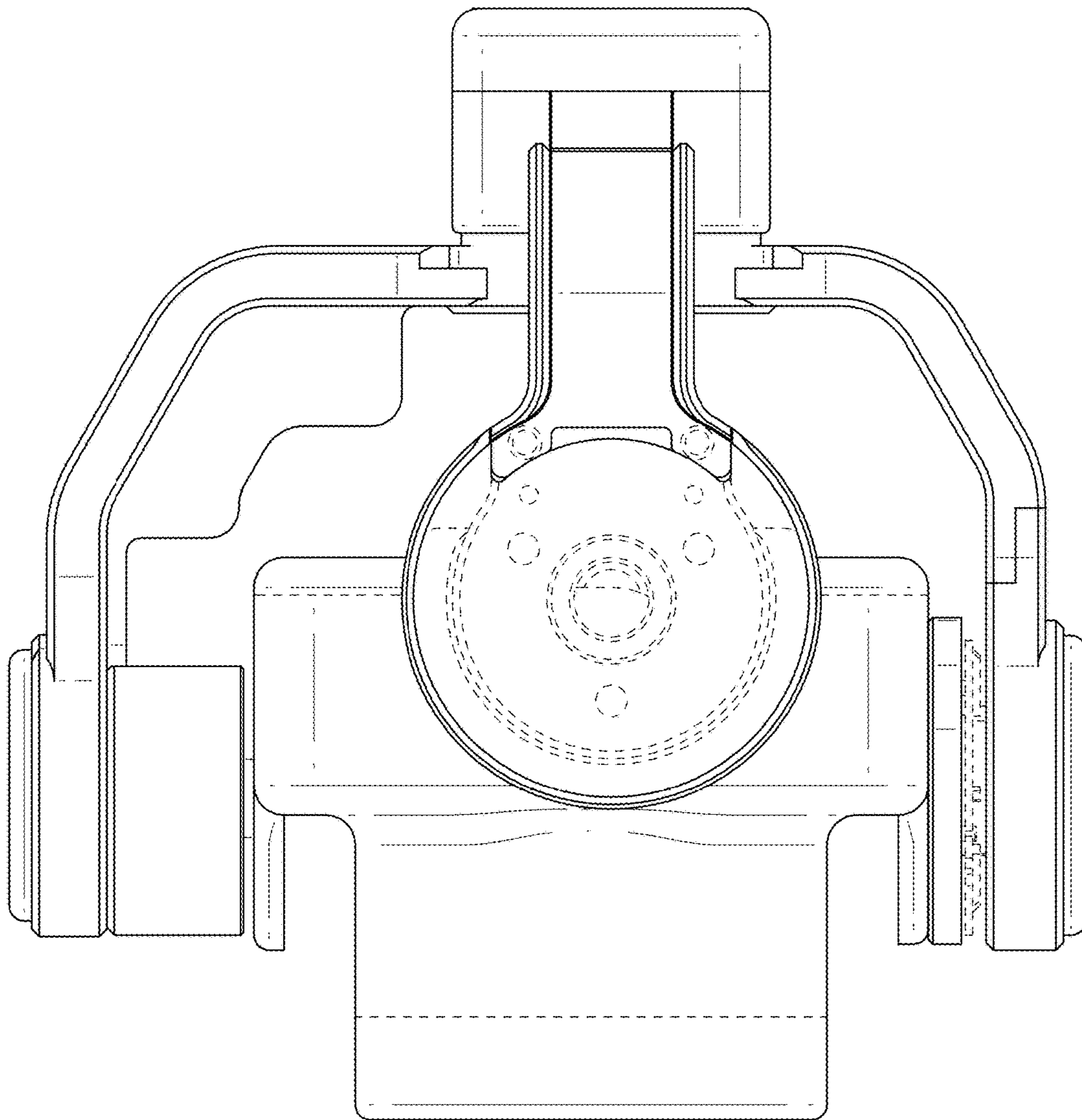


FIG. 7

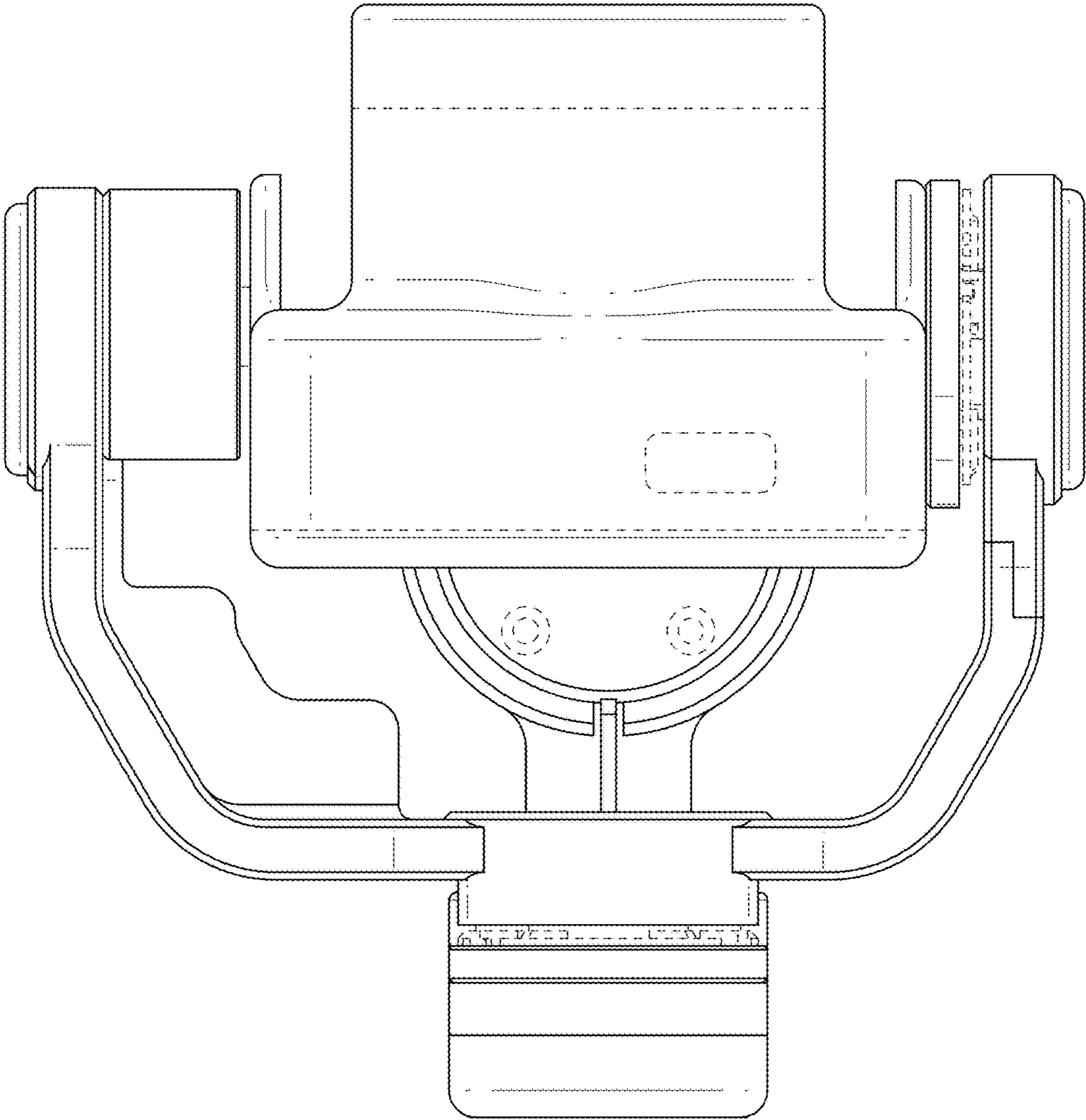


FIG. 8