



US00D78999S

(12) **United States Design Patent**  
**Yakabe et al.**

(10) **Patent No.:** **US D789,999 S**  
(45) **Date of Patent:** **\*\* Jun. 20, 2017**

(54) **VIDEO CAMERA BODY**

(71) Applicant: **JVC KENWOOD Corporation**,  
Yokohama-shi, Kanagawa (JP)

(72) Inventors: **Toshiyuki Yakabe**, Yokohama (JP);  
**Koji Oishi**, Yokohama (JP)

(73) Assignee: **JVC KENWOOD CORPORATION**,  
Yokohama-Shi, Kanagawa (JP)

(\*\*) Term: **15 Years**

(21) Appl. No.: **29/539,723**

(22) Filed: **Sep. 17, 2015**

(30) **Foreign Application Priority Data**

Apr. 10, 2015 (JP) ..... 2015008179

(51) **LOC (10) Cl.** ..... **16-01**

(52) **U.S. Cl.**  
USPC ..... **D16/200**

(58) **Field of Classification Search**  
USPC ..... D16/200–204, 208, 218, 219; 348/143,  
348/148, 151, 373–376; 396/419, 427,  
396/428, 537–541  
CPC ..... G03B 15/03; G03B 17/02; G03B 17/04;  
G03B 17/48; G03B 17/56; G03B 19/04;  
G08G 1/0175; H04N 5/2251; H04N  
5/2252; H04N 5/2253; H04N 5/2254;  
H04N 2101/00

See application file for complete search history.

(56) **References Cited**

**U.S. PATENT DOCUMENTS**

D441,386 S \* 5/2001 Yamazaki ..... D16/203  
D442,982 S \* 5/2001 Adachi ..... D16/203  
D472,913 S \* 4/2003 Rupe ..... D16/202  
D551,275 S \* 9/2007 Kim ..... D16/202

D657,409 S \* 4/2012 Miyashita ..... D16/203  
D668,282 S \* 10/2012 Ohno ..... D16/203  
D674,832 S \* 1/2013 Zhang ..... D16/202  
8,908,036 B2 \* 12/2014 Tanaka ..... H04N 5/2253  
348/148  
D730,423 S \* 5/2015 Vandenbussche ..... D16/218  
D739,452 S \* 9/2015 Adams ..... D16/203  
D743,472 S \* 11/2015 Tanifuji ..... D16/203  
2010/0085474 A1 \* 4/2010 Morita ..... H04N 5/2251  
348/374  
2014/0300742 A1 \* 10/2014 Han ..... B60R 11/04  
348/148

\* cited by examiner

*Primary Examiner* — Philip S Hyder

*Assistant Examiner* — Ramzi Almatrahi

(74) *Attorney, Agent, or Firm* — Nath, Goldberg &  
Meyer; Jerald L. Meyer

(57) **CLAIM**

The ornamental design for a video camera body, as shown  
and described.

**DESCRIPTION**

FIG. 1 is a front perspective view of a video camera body  
showing our new design;  
FIG. 2 is a rear perspective view thereof;  
FIG. 3 is a front view thereof;  
FIG. 4 is a rear view thereof;  
FIG. 5 is a top plan view thereof;  
FIG. 6 is a bottom plan view thereof;  
FIG. 7 is a right side view thereof; and,  
FIG. 8 is a left side view thereof.

The broken lines depict portions of the video camera body  
in which the design is embodied that form no part of the  
claimed design. Additionally, the trapezoidal area on the rear  
surface including the rounded corners depicted by broken  
lines forms no part of the claimed design.

**1 Claim, 6 Drawing Sheets**

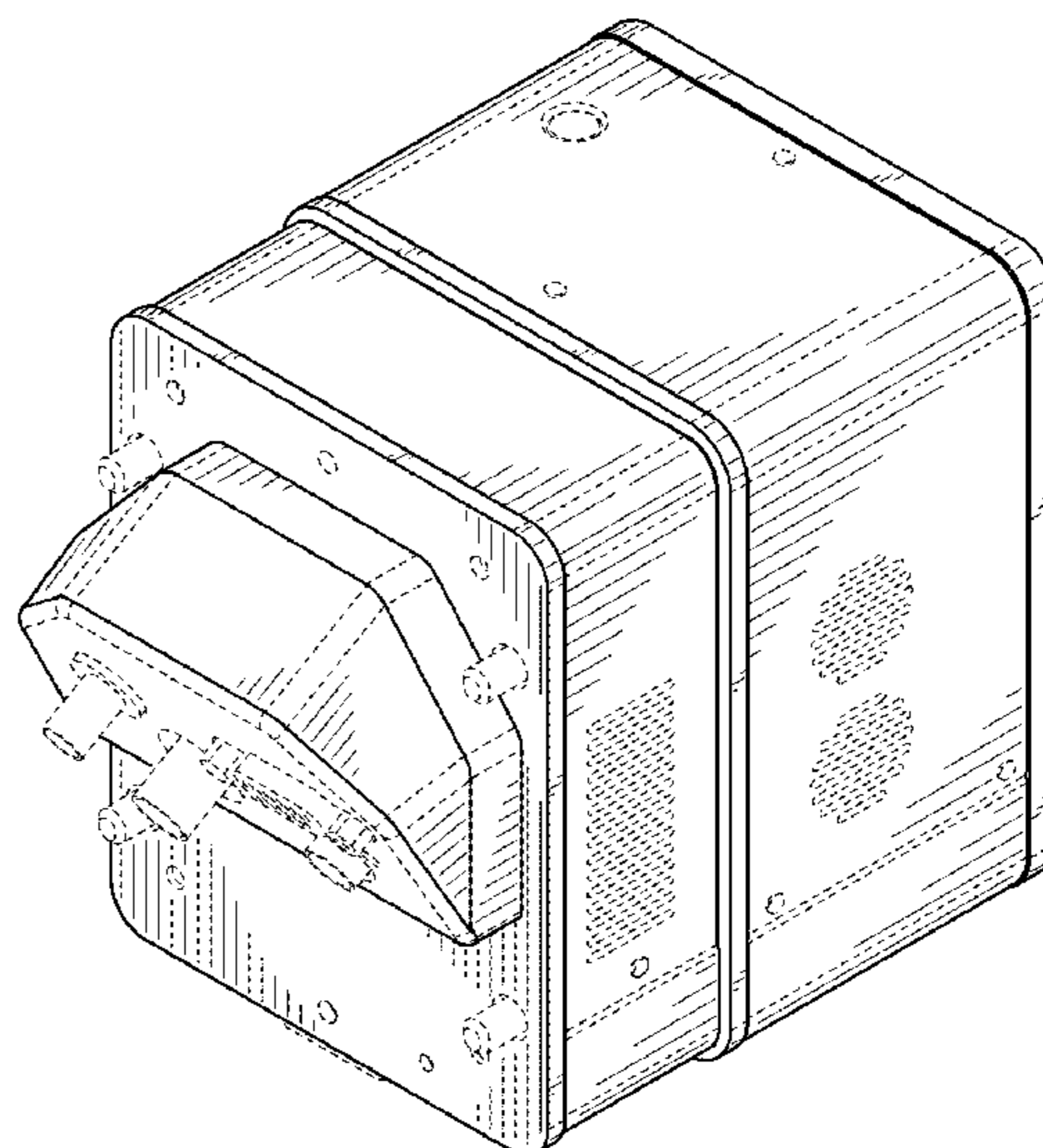
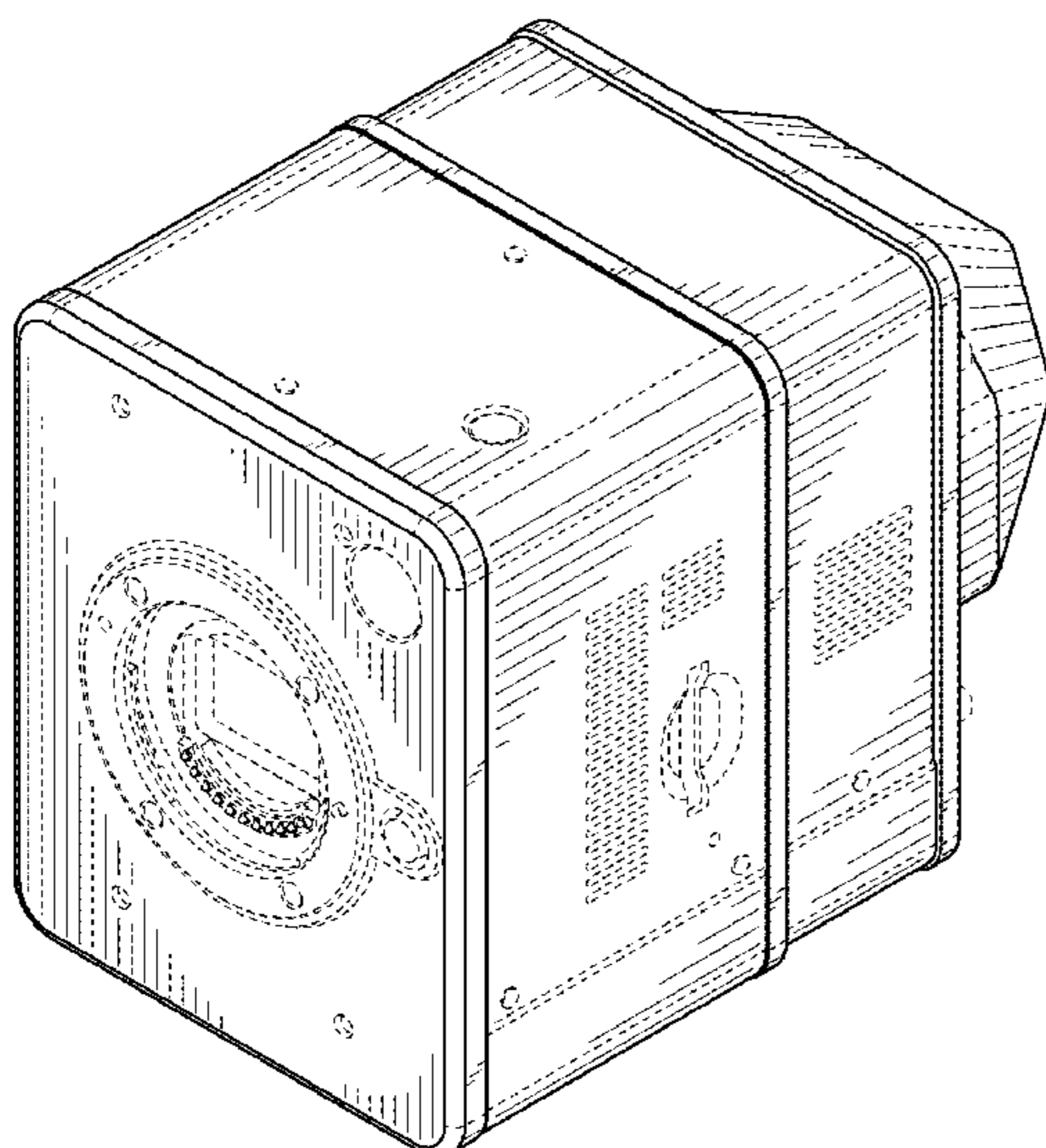


FIG. 1

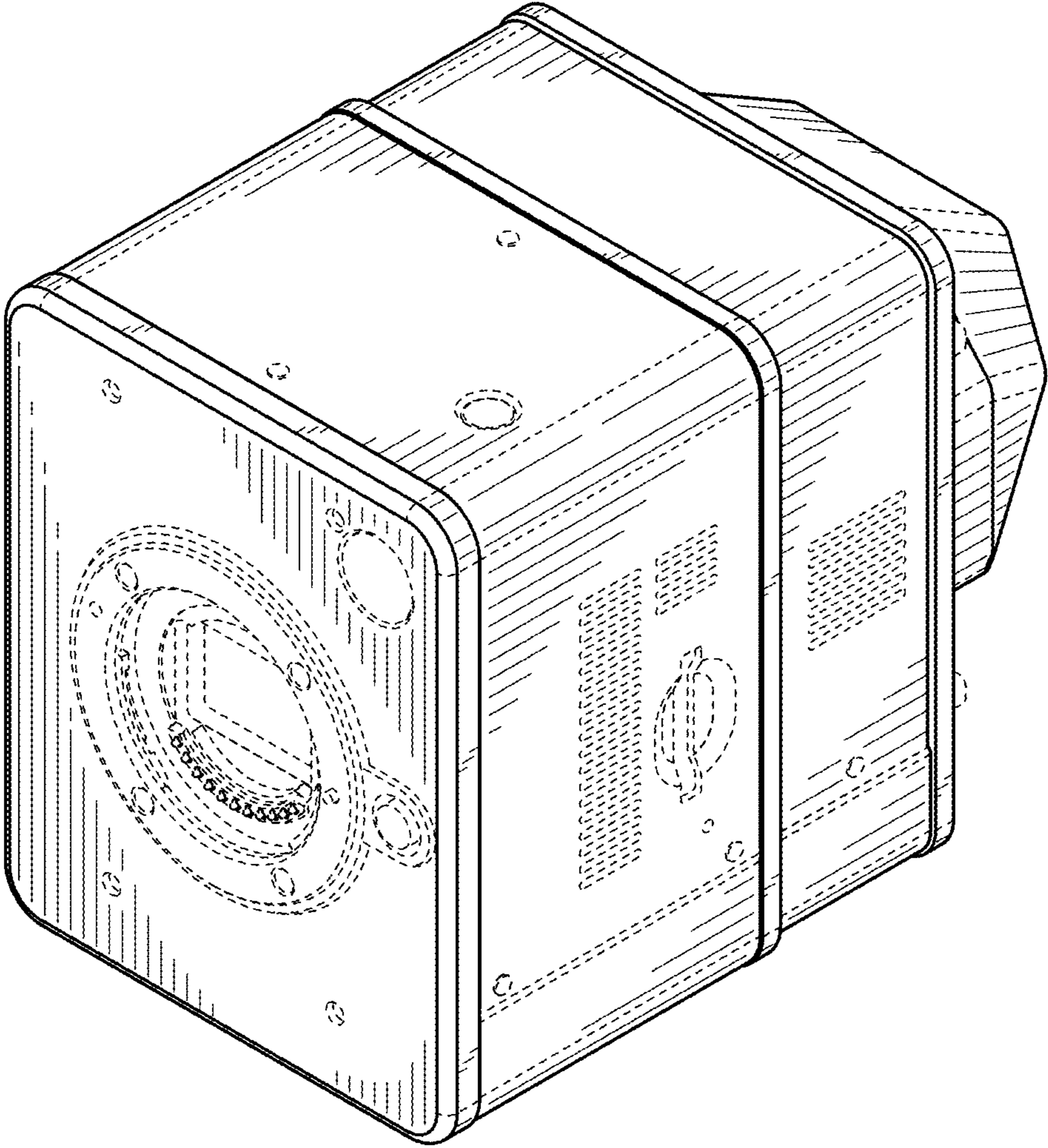


FIG. 2

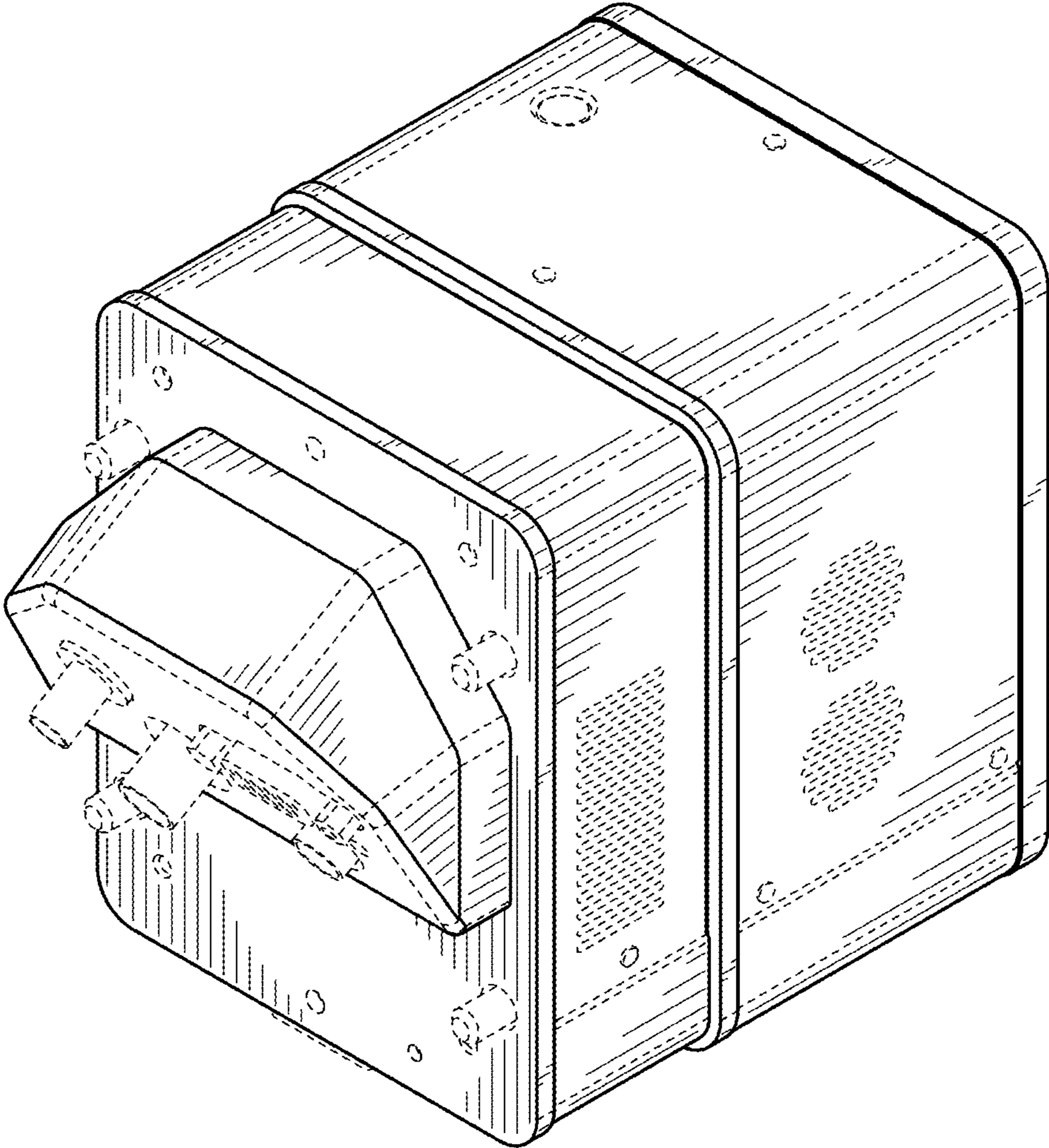


FIG. 3

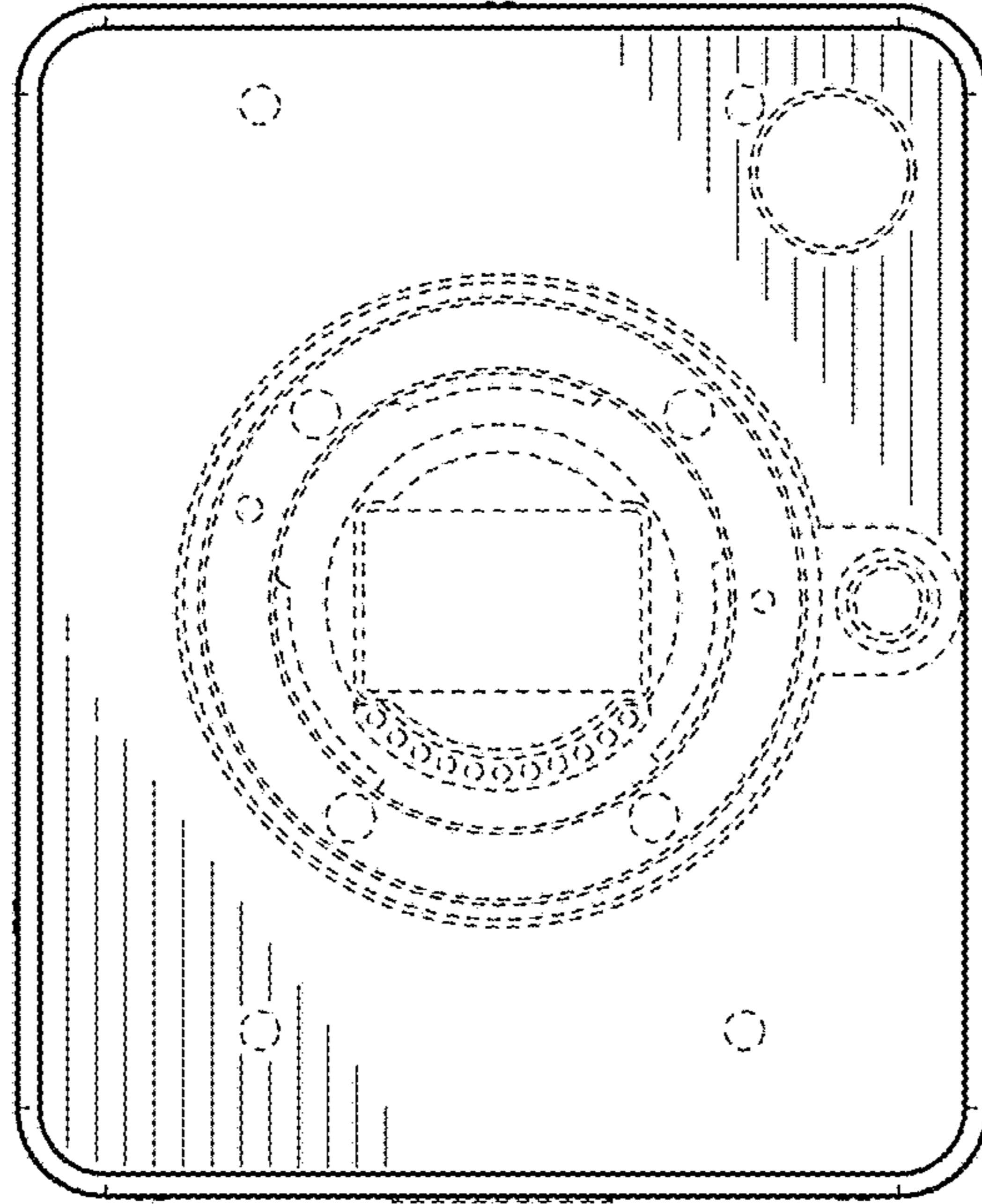
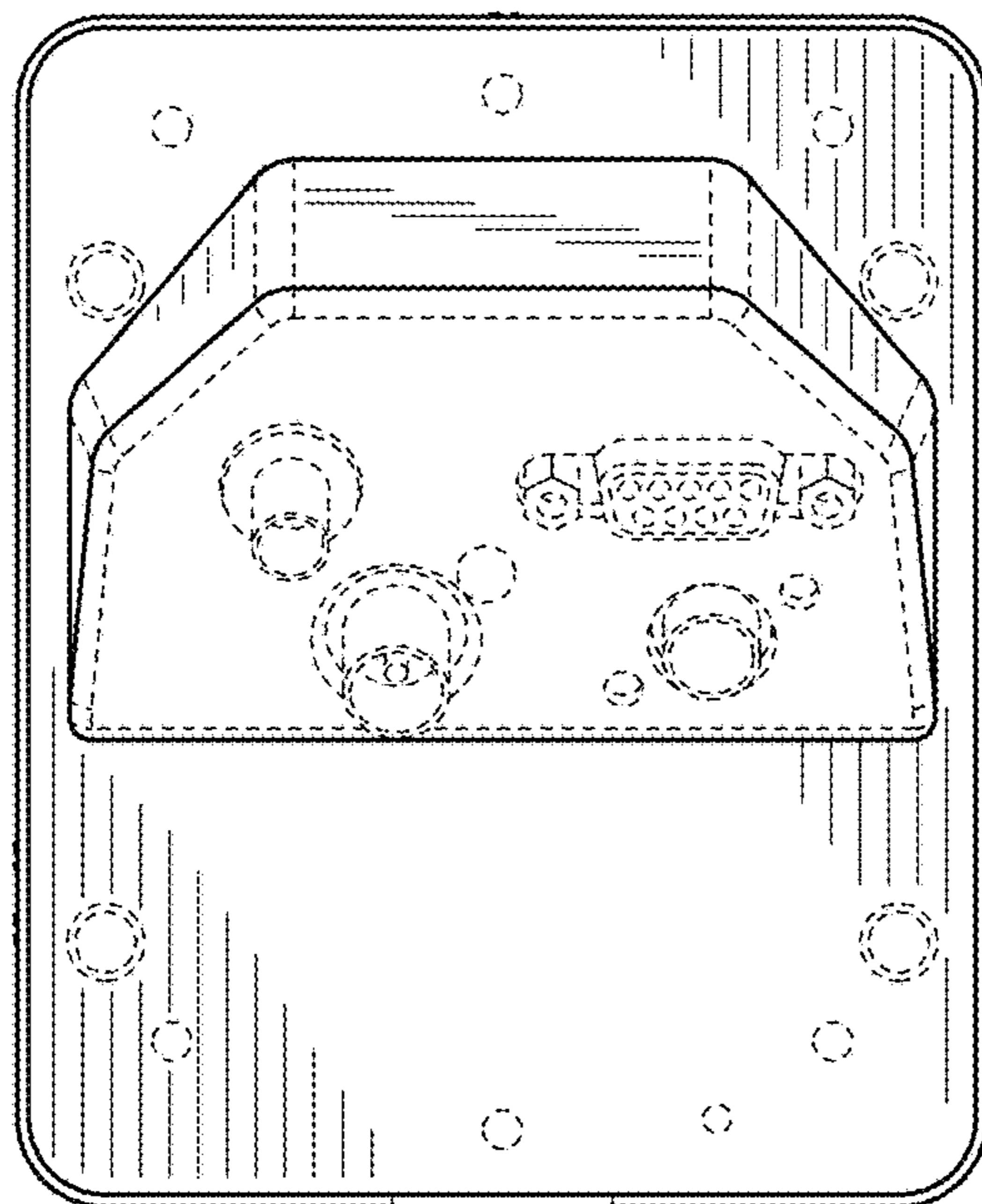
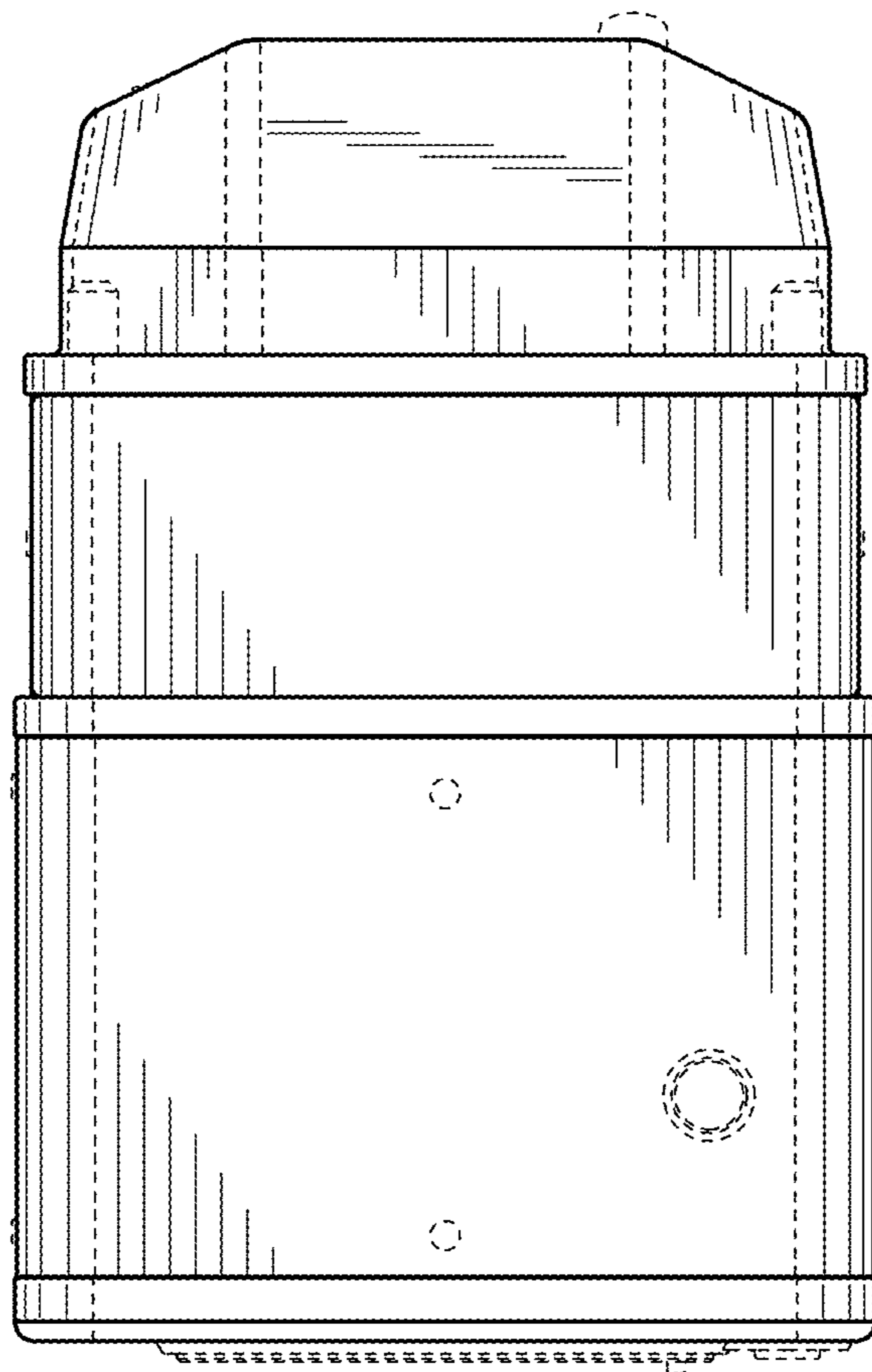


FIG. 4



*FIG. 5*



*FIG. 6*

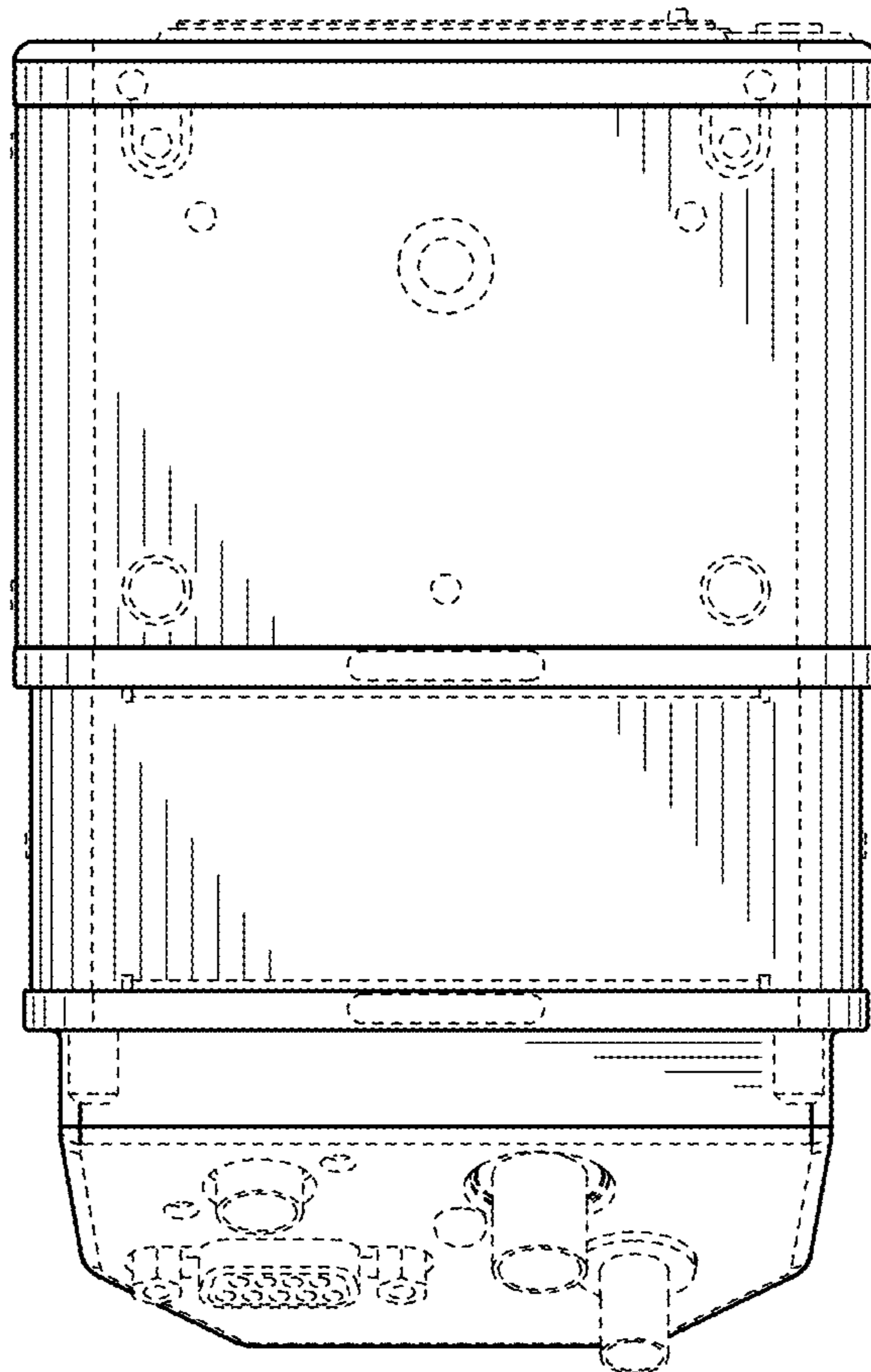


FIG. 7

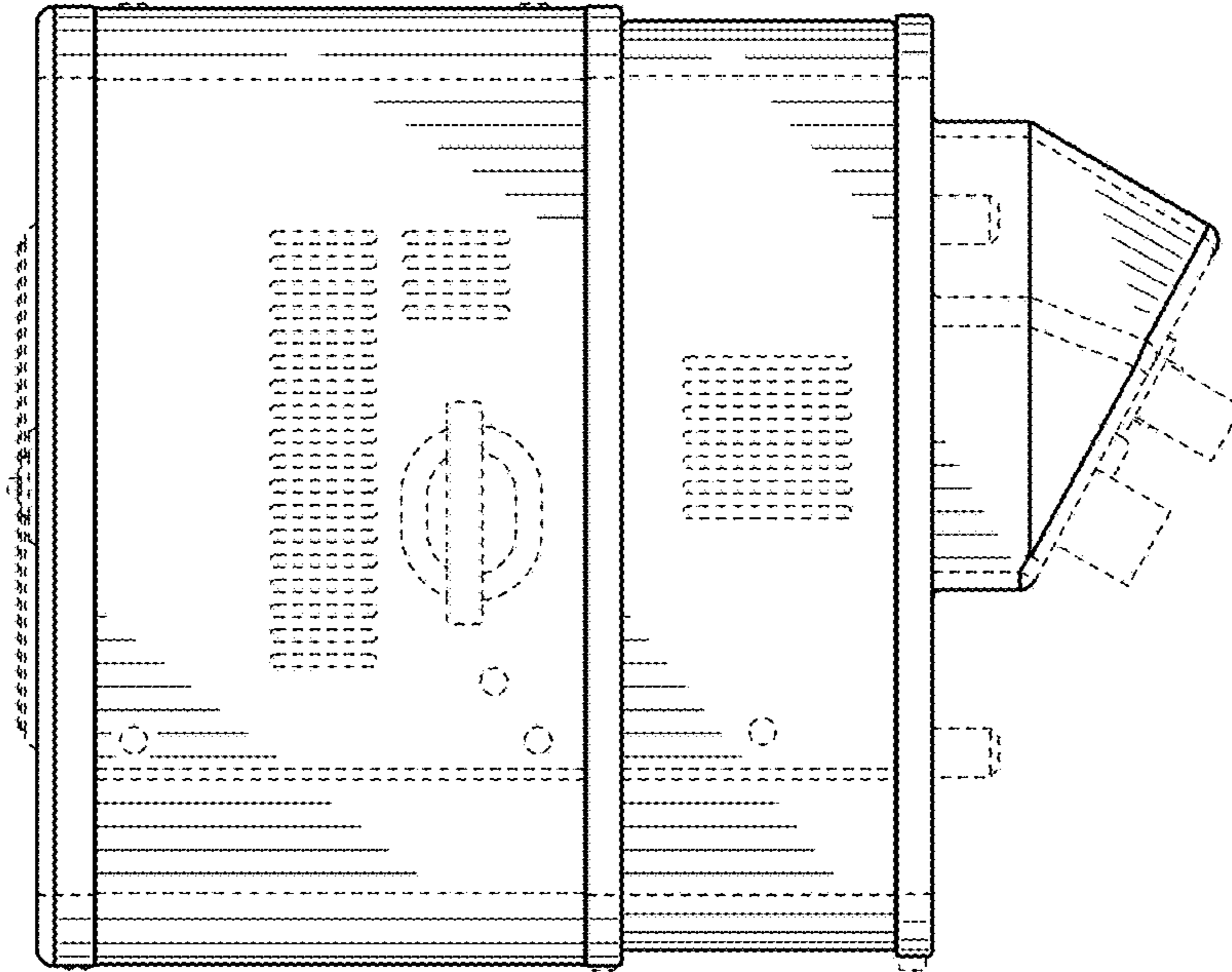


FIG. 8

