



US00D789998S

(12) **United States Design Patent**  
**Harder**

(10) **Patent No.:** **US D789,998 S**  
(45) **Date of Patent:** **\*\* Jun. 20, 2017**

- (54) **SEWAGE LINE BLOW-OUT DEVICE**
- (71) Applicant: **Christopher Michael Harder**,  
Roseville, CA (US)
- (72) Inventor: **Christopher Michael Harder**,  
Roseville, CA (US)
- (73) Assignee: **Christopher Michael Harder**,  
Roseville, CA (US)
- (\*\*) Term: **15 Years**
- (21) Appl. No.: **29/537,977**
- (22) Filed: **Aug. 31, 2015**
- (51) **LOC (10) Cl.** ..... **15-09**
- (52) **U.S. Cl.**  
USPC ..... **D15/138**
- (58) **Field of Classification Search**  
USPC ..... D15/138, 199; D23/262  
CPC . E21B 3/00; E21B 7/046; E21B 10/28; E21B  
17/1078  
See application file for complete search history.

D326,259 S *	5/1992	Studenski	.....	D13/156
D328,903 S *	8/1992	Bonbright	.....	D15/5
5,167,478 A *	12/1992	Ramunas	.....	B23B 31/02 279/91
D335,077 S *	4/1993	Haney	.....	D8/387
D338,058 S *	8/1993	Pettesch	.....	D23/262
D363,767 S *	10/1995	Swaim	.....	D23/260
5,766,451 A *	6/1998	Sparling	.....	B01D 35/153 123/196 A
D420,313 S *	2/2000	Sample	.....	D12/213
D421,575 S *	3/2000	Palm	.....	D10/64
D422,202 S *	4/2000	Maki	.....	D8/387
D426,146 S *	6/2000	Bruns	.....	D8/387
D444,545 S *	7/2001	Nyman	.....	D23/260
D463,537 S *	9/2002	Koza	.....	D23/233
D464,253 S *	10/2002	Nimberger	.....	D10/60
D482,267 S *	11/2003	Lee	.....	D8/387
D489,121 S *	4/2004	Harding	.....	D23/235
D509,924 S *	9/2005	Chen	.....	D27/148
D510,131 S *	9/2005	Karasawa	.....	D23/262
D518,366 S *	4/2006	Olander	.....	D8/387

(Continued)

Primary Examiner — Patricia Palasik

(57) **CLAIM**

I claim the ornamental design for a sewage line blow-out device, as shown and described.

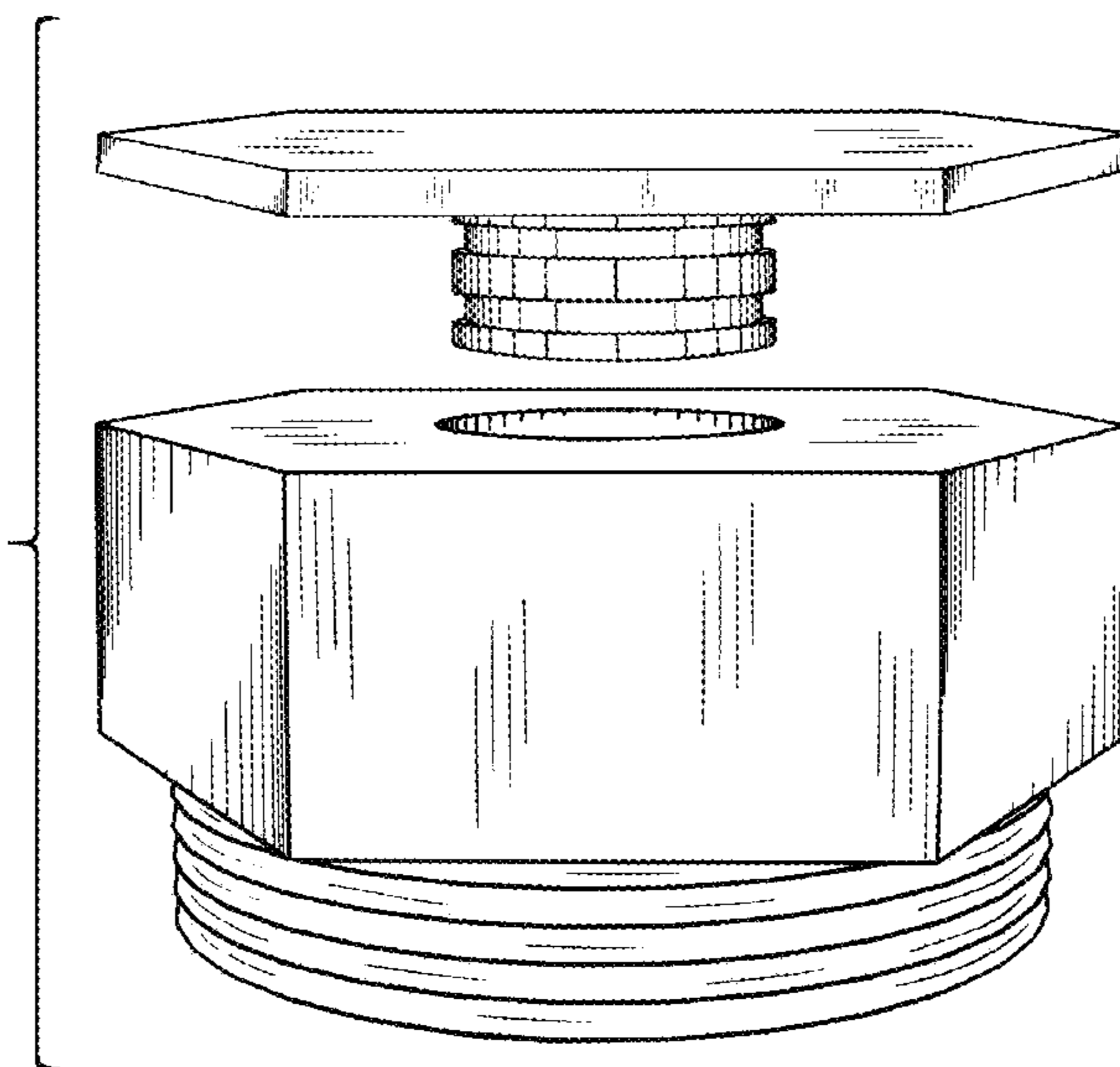
**DESCRIPTION**

FIG. 1 is an enlarged exploded perspective view of a sewage line blow-out device, showing my new design;  
 FIG. 2 is a bottom plan view thereof;  
 FIG. 3 is a top plan view thereof;  
 FIG. 4 is a front elevational view thereof;  
 FIG. 5 is the rear elevational view thereof;  
 FIG. 6 is a left-side elevational view of thereof;  
 FIG. 7 is a right-side elevational view of thereof; and,  
 FIG. 8 is an enlarged exploded cross-sectional perspective view thereof, taken generally along the lines of 9-9 of FIG. 3.

**1 Claim, 5 Drawing Sheets**

(56) **References Cited**  
U.S. PATENT DOCUMENTS

D126,409 S *	4/1941	Trott	.....	D8/387
D158,338 S *	4/1950	Szitar	.....	D23/245
2,564,402 A *	8/1951	MacArthur	.....	E03C 1/304 134/166 C
D181,038 S *	9/1957	Britton	.....	D23/235
3,272,249 A *	9/1966	Houston	.....	F16B 39/32 411/318
D229,415 S *	11/1973	Lukcenbill	.....	D23/262
3,895,466 A *	7/1975	Melton	.....	F16L 55/11 137/800
D243,510 S *	3/1977	Shirey	.....	D23/316
D248,824 S *	8/1978	Imai	.....	D8/387
D262,969 S *	2/1982	Howes	.....	239/533.12
D320,162 S *	9/1991	Sorenson	.....	D8/387



(56)

**References Cited**

## U.S. PATENT DOCUMENTS

D532,178 S \* 11/2006 Martin ..... D34/31  
D545,404 S \* 6/2007 Nightlinger ..... D23/260  
D545,405 S \* 6/2007 Nightlinger ..... D23/260  
D554,237 S \* 10/2007 Lewis ..... D23/259  
D563,216 S \* 3/2008 Suehiro ..... D8/387  
D584,137 S \* 1/2009 Edge, Jr. .... D8/387  
D600,322 S \* 9/2009 Forsythe ..... D23/260  
D600,323 S \* 9/2009 Forsythe ..... D23/260  
D604,600 S \* 11/2009 Lesesky ..... D8/387  
D606,853 S \* 12/2009 Shapiro ..... D8/397  
D607,546 S \* 1/2010 Forsythe ..... D23/262  
D608,422 S \* 1/2010 Forsythe ..... D23/262  
D608,423 S \* 1/2010 Forsythe ..... D23/262  
D614,737 S \* 4/2010 Lass ..... D23/262  
D620,084 S \* 7/2010 Talamantez ..... D23/262  
D627,039 S \* 11/2010 Yu ..... D23/260  
D629,078 S \* 12/2010 Dole ..... D23/262  
D659,644 S \* 5/2012 Gretz ..... D13/151  
D694,281 S \* 11/2013 Frazier ..... D15/21  
D699,555 S \* 2/2014 Yazich ..... D8/387  
D739,493 S \* 9/2015 Wyne ..... D23/200  
D760,363 S \* 6/2016 Yang ..... D23/262  
D760,582 S \* 7/2016 Muzic ..... D8/387  
D767,104 S \* 9/2016 Salser ..... D23/262  
2012/0192979 A1 \* 8/2012 Barth ..... F15B 1/04  
138/30  
2015/0260267 A1 \* 9/2015 Hsieh ..... F16H 25/24  
74/89.36  
2015/0369020 A1 \* 12/2015 Parsons ..... E21B 43/105  
72/370.08  
2016/0230538 A1 \* 8/2016 Zacharko ..... E21B 7/062

\* cited by examiner

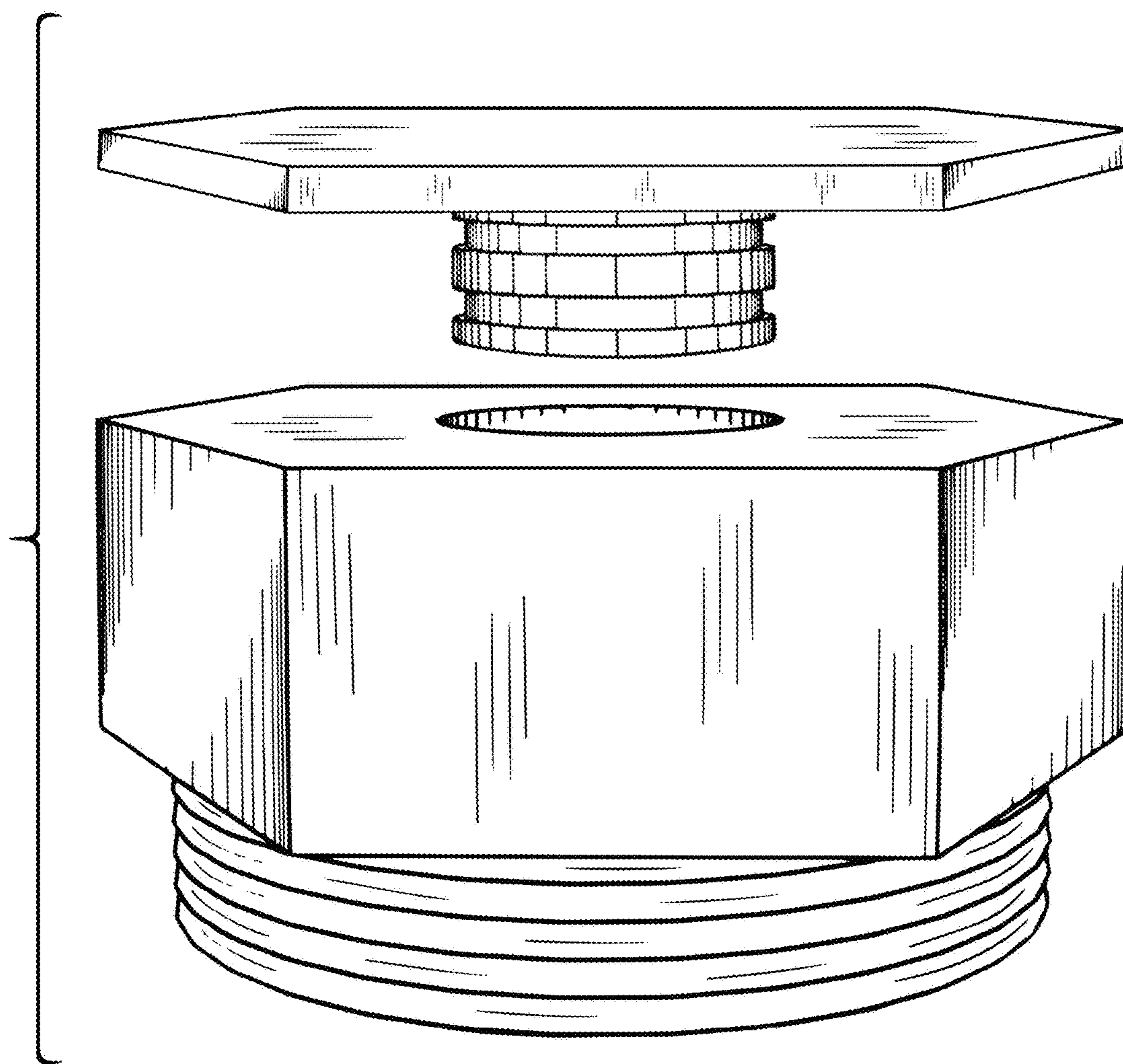


FIG. 1

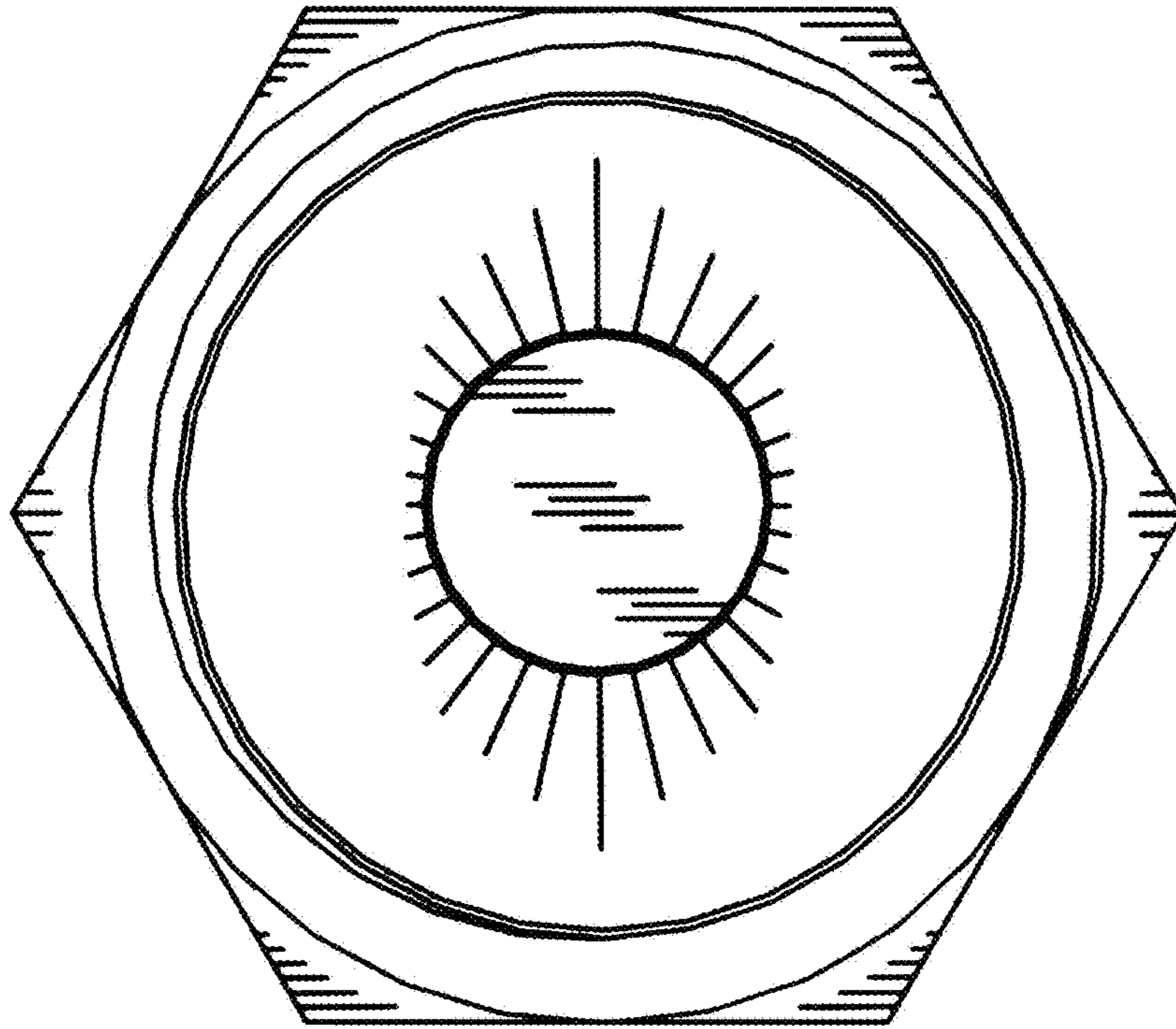


FIG. 2

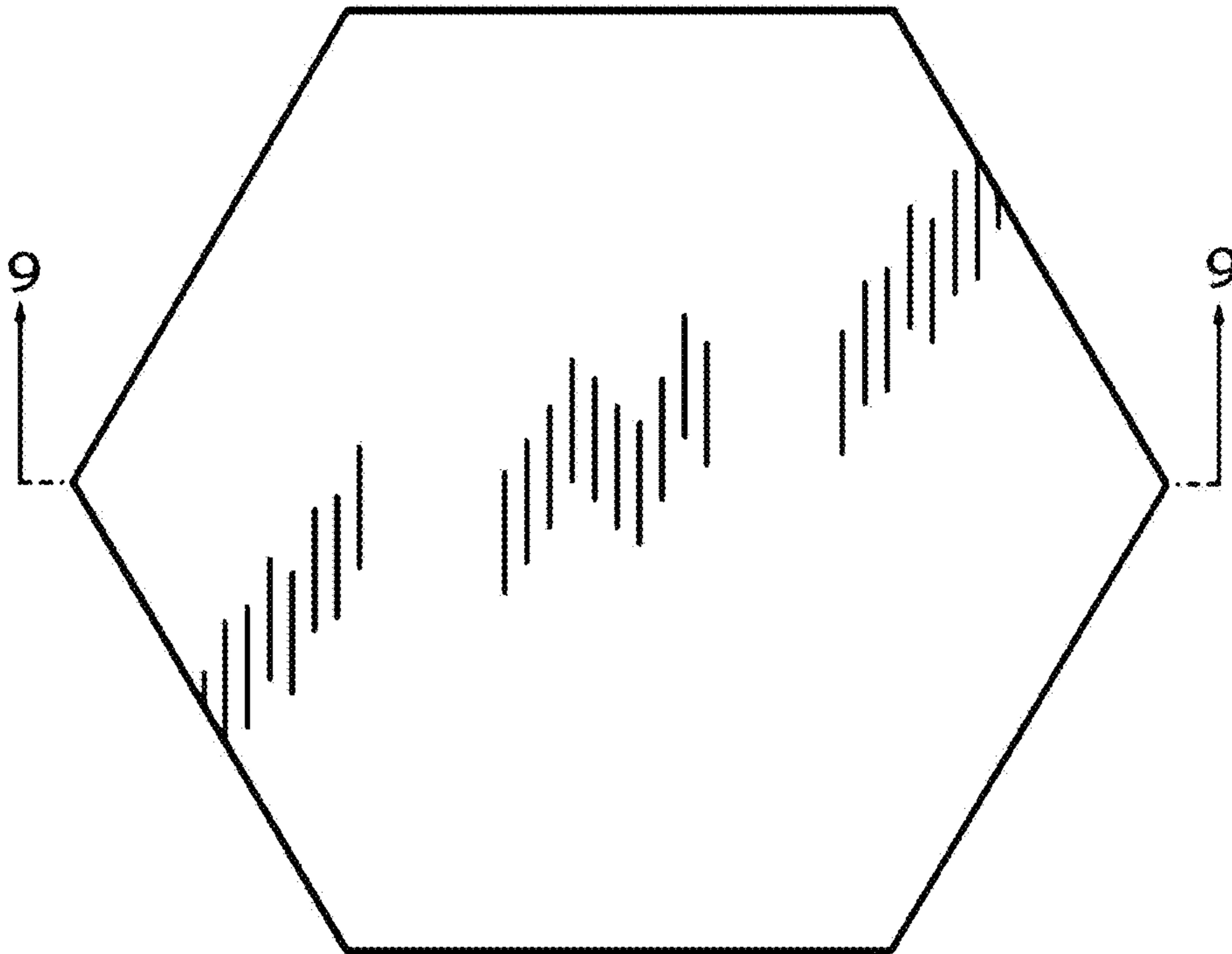


FIG. 3

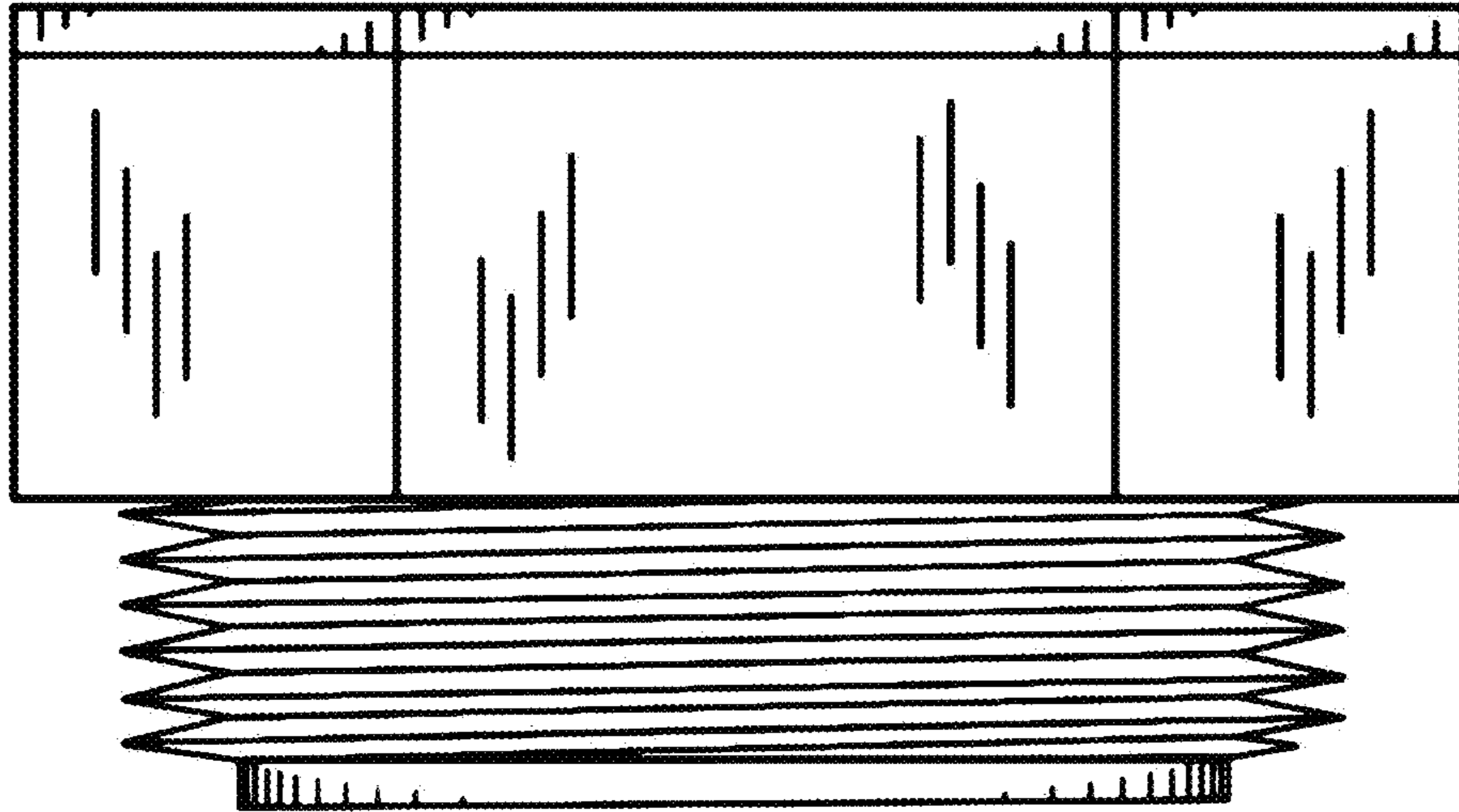


FIG. 4

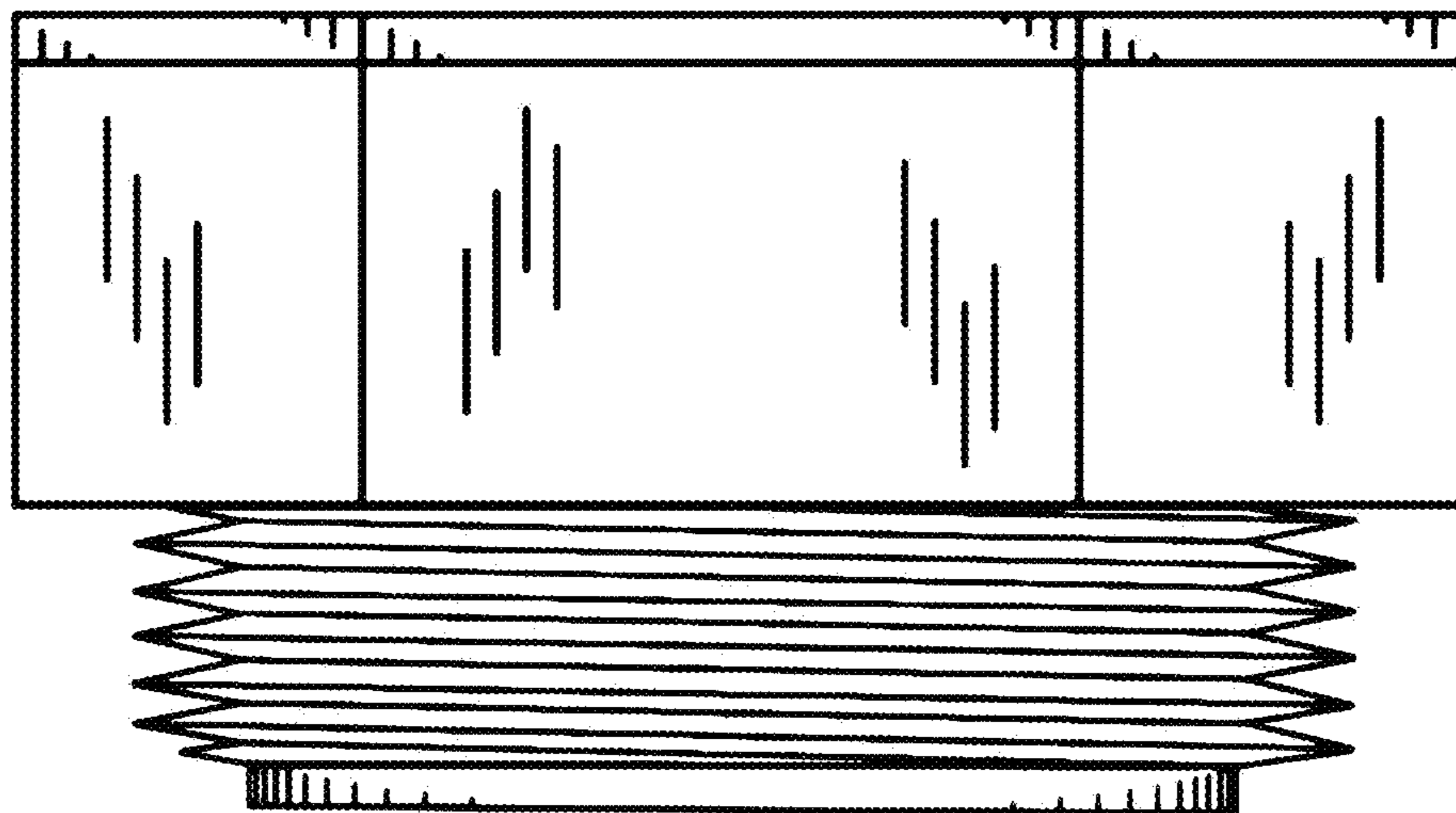


FIG. 5

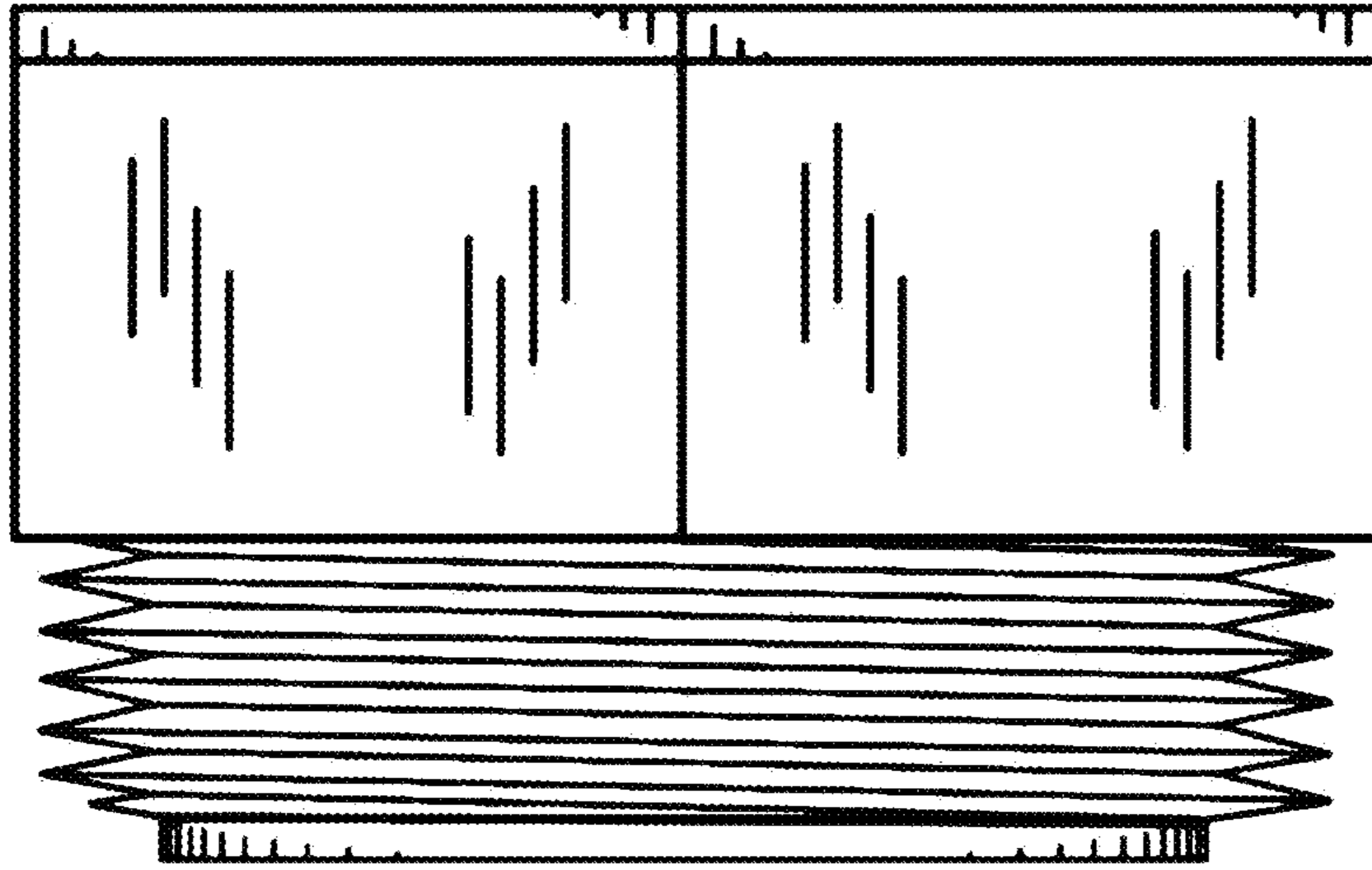


FIG. 6

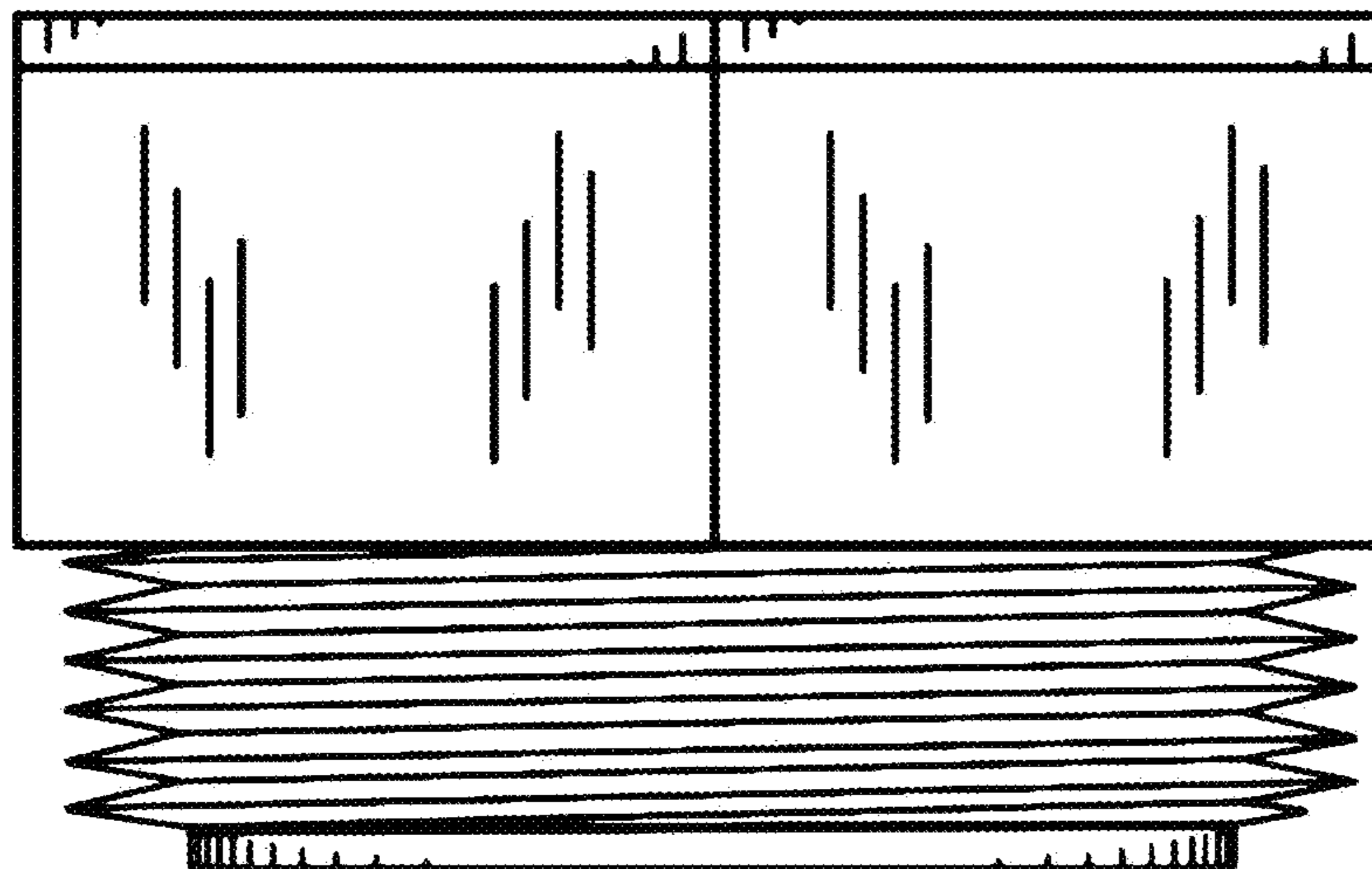


FIG. 7

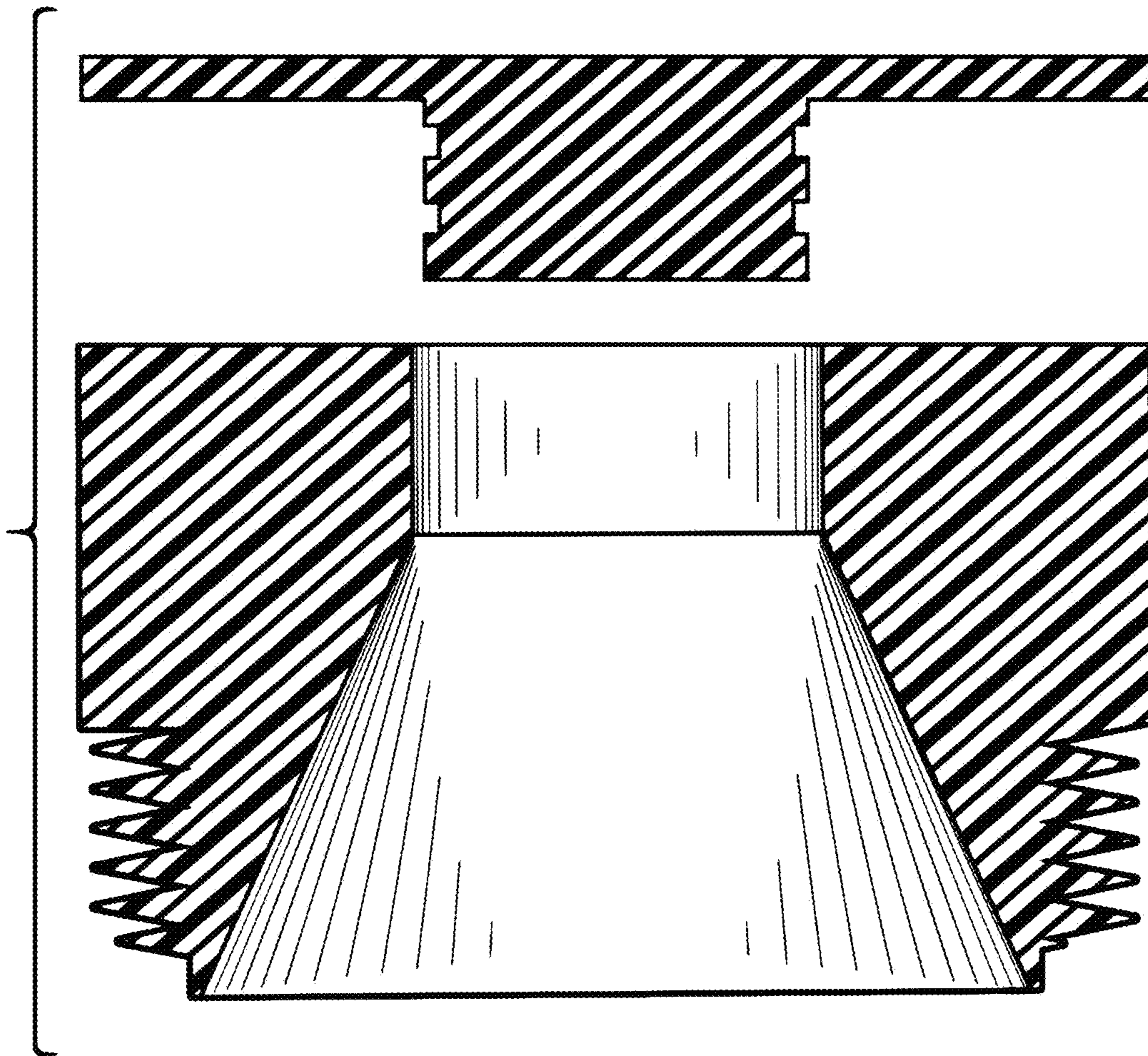


FIG. 8