



US00D789997S

(12) **United States Design Patent** (10) **Patent No.:** **US D789,997 S**
Banjo et al. (45) **Date of Patent:** **** Jun. 20, 2017**

- (54) **STROKE LIMITER FOR A LOG SPLITTER**
- (71) Applicant: **Frictionless World LLC**, Westminster, CO (US)
- (72) Inventors: **Daniel Banjo**, Boulder, CO (US); **Benjamin Zywicki**, Louisville, CO (US)
- (73) Assignee: **Frictionless World LLC**, Westminster, CO (US)
- (**) Term: **14 Years**
- (21) Appl. No.: **29/525,728**
- (22) Filed: **May 1, 2015**
- (51) **LOC (10) Cl.** **15-09**
- (52) **U.S. Cl.**
USPC **D15/128**
- (58) **Field of Classification Search**
USPC D15/128, 127; D19/65, 72
CPC B21D 28/34; B21D 28/005; B21D 28/343; B23D 35/004; B23P 11/00; B26F 1/14; B26F 1/44; B26F 1/386; B30B 11/08; B30B 15/026; B30B 15/065; H01R 43/0421; H01R 43/015; H01R 43/0425; H02G 1/14; B27L 7/00
See application file for complete search history.

- 5,375,638 A * 12/1994 Green B27L 7/00 144/193.1
- D509,231 S * 9/2005 Hickenbottom D15/127
- D544,505 S * 6/2007 VanderBurgh D15/127
- D648,761 S * 11/2011 Banjo D15/127
- D652,065 S * 1/2012 Lu D15/127
- D681,701 S * 5/2013 Banjo D15/127

(Continued)

Primary Examiner — Rosemary K Tarcza
Assistant Examiner — Nathaniel D. Buckner
(74) *Attorney, Agent, or Firm* — Marsh Fischmann & Breyfogle LLP; Jonathon A. Szumny

(57) **CLAIM**

The ornamental design for a “stroke limiter for a log splitter,” as shown and described.

DESCRIPTION

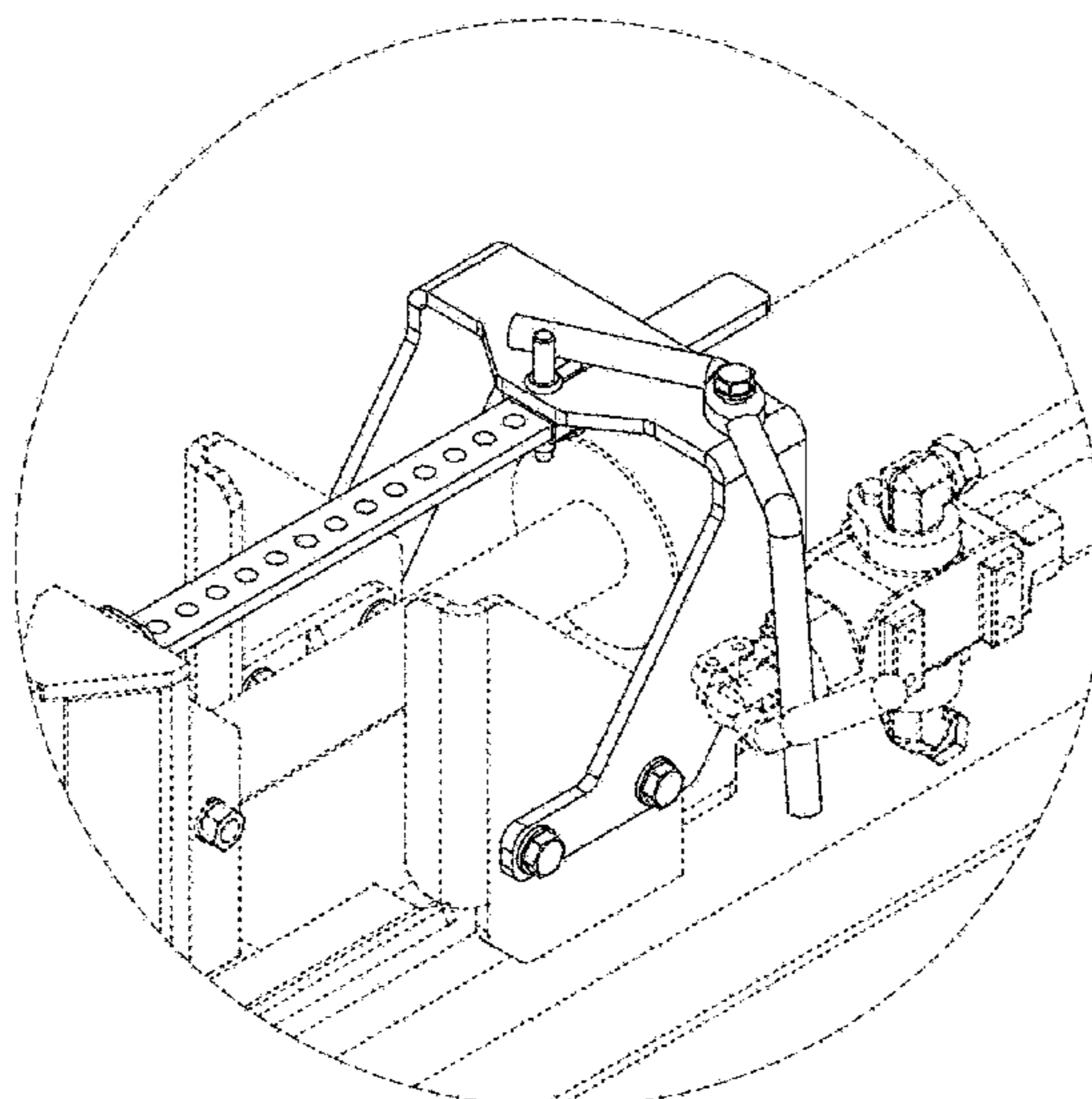
FIG. 1 is a top front perspective view of a stroke limiter for a log splitter, showing our new design;
FIG. 2 is an enlarged fragmentary view thereof;
FIG. 3 is a top front perspective view thereof, shown in alternate configuration of use;
FIG. 4 is an enlarged fragmentary view thereof;
FIG. 5 is a top right rear perspective view of FIG. 1;
FIG. 6 is a top left front perspective view of a stroke limiter for a log splitter shown separately for ease of illustration;
FIG. 7 is a top left front perspective view thereof;
FIG. 8 is a top left rear perspective view thereof;
FIG. 9 is a top right rear perspective view thereof;
FIG. 10 is a front elevation view thereof;
FIG. 11 is a right side elevation view thereof;
FIG. 12 is a rear elevation view thereof;
FIG. 13 is a left side elevation view thereof;
FIG. 14 is a top plan view thereof; and,
FIG. 15 is a bottom plan view thereof.
The broken lines in the figures represent environmental structure and portions of the article which form no part of the claim.

(56) **References Cited**

U.S. PATENT DOCUMENTS

- D12,949 S * 5/1882 Doane D15/127
- D253,654 S * 12/1979 Davis D12/101
- D261,143 S * 10/1981 Green D15/127
- 4,498,293 A * 2/1985 Gregory F15B 15/204 144/195.1
- 4,625,782 A * 12/1986 Jameson B27L 7/02 144/193.1
- 4,770,218 A 9/1988 Duerr
- 5,373,877 A 12/1994 Chapman

1 Claim, 15 Drawing Sheets



(56)

References Cited

U.S. PATENT DOCUMENTS

D706,318	S *	6/2014	Banjo	D15/127
D706,843	S *	6/2014	Banjo	D15/127
D709,932	S *	7/2014	Schuetz	D15/127
2006/0060262	A1	3/2006	Hicks	
2006/0144468	A1 *	7/2006	Lewis	B27L 7/00 144/193.2
2009/0229709	A1 *	9/2009	Babcock	B27L 7/00 144/195.1
2010/0024919	A1	2/2010	Majkrzak	
2012/0055585	A1	3/2012	Gassner	
2016/0257023	A1 *	9/2016	Bowman	B27L 7/06

* cited by examiner

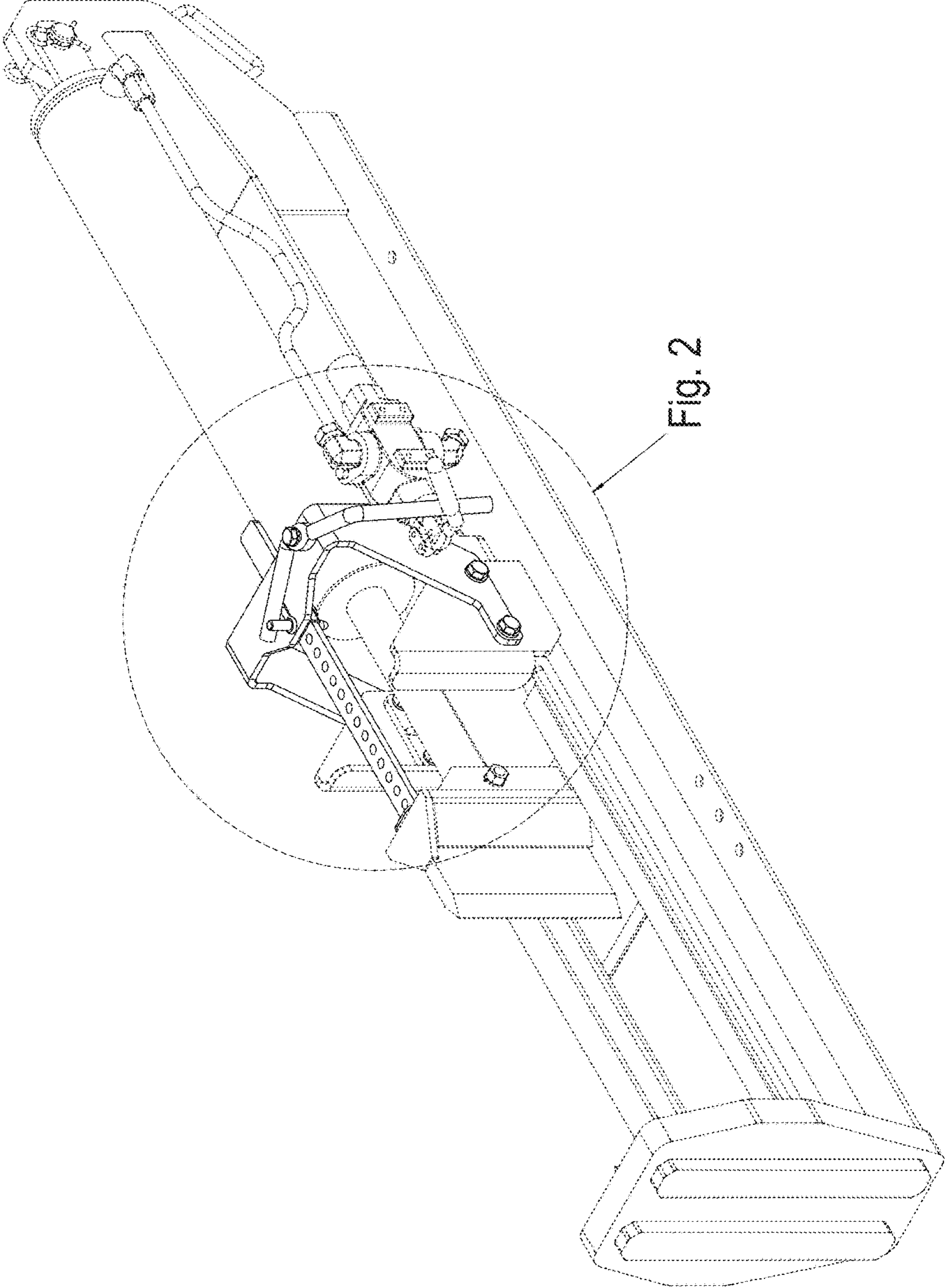


Fig. 1

Fig. 2

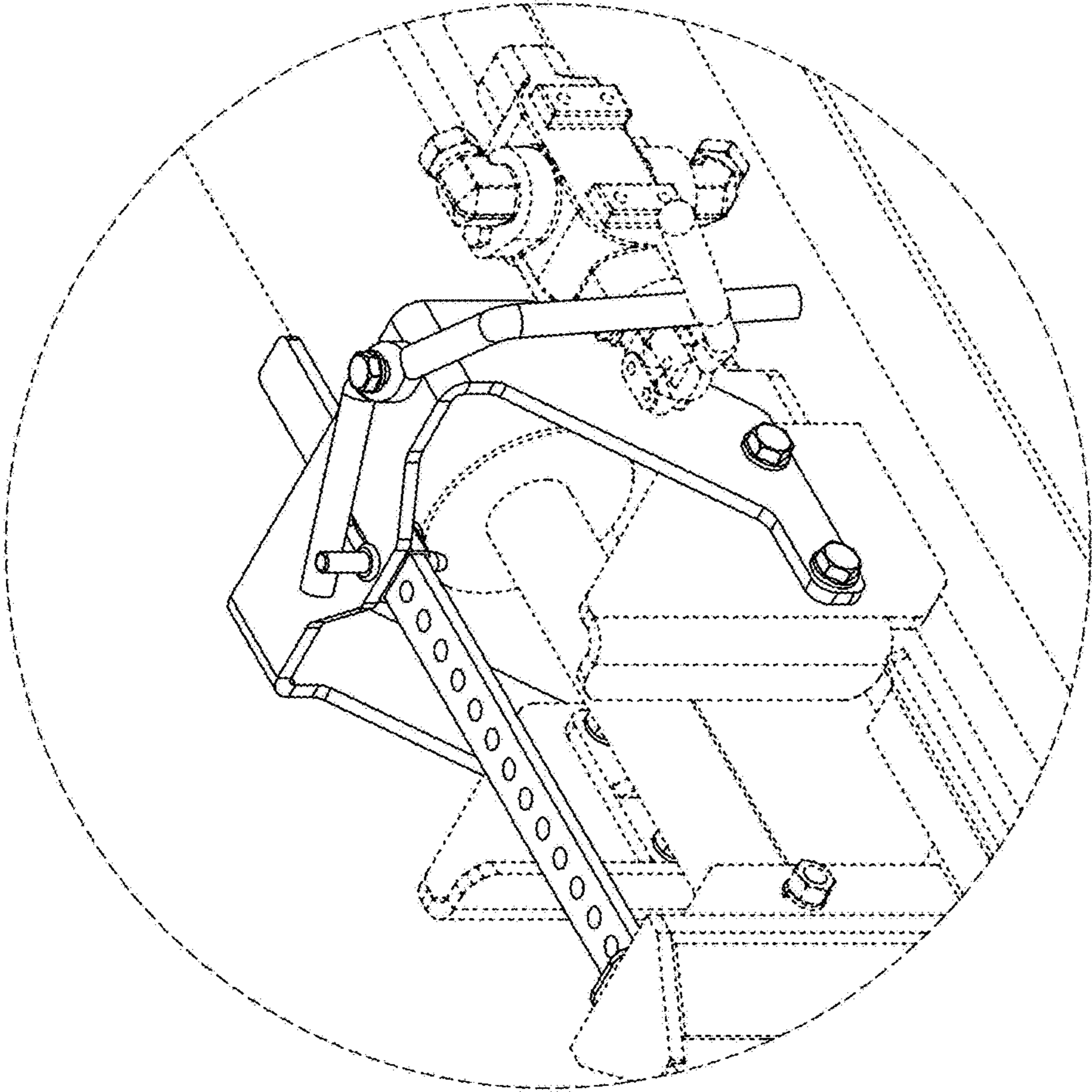


Fig. 2

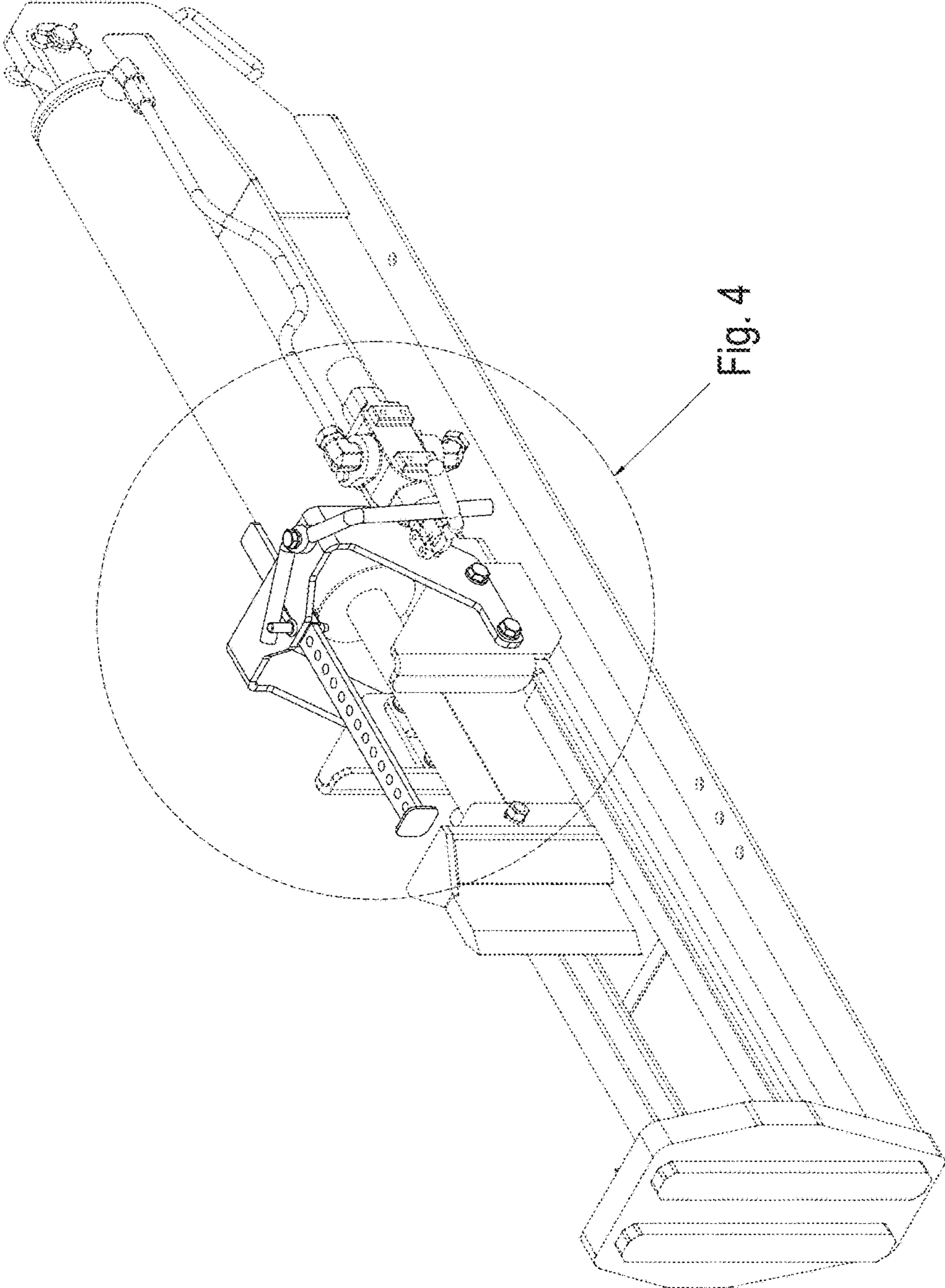


Fig. 4

Fig. 3

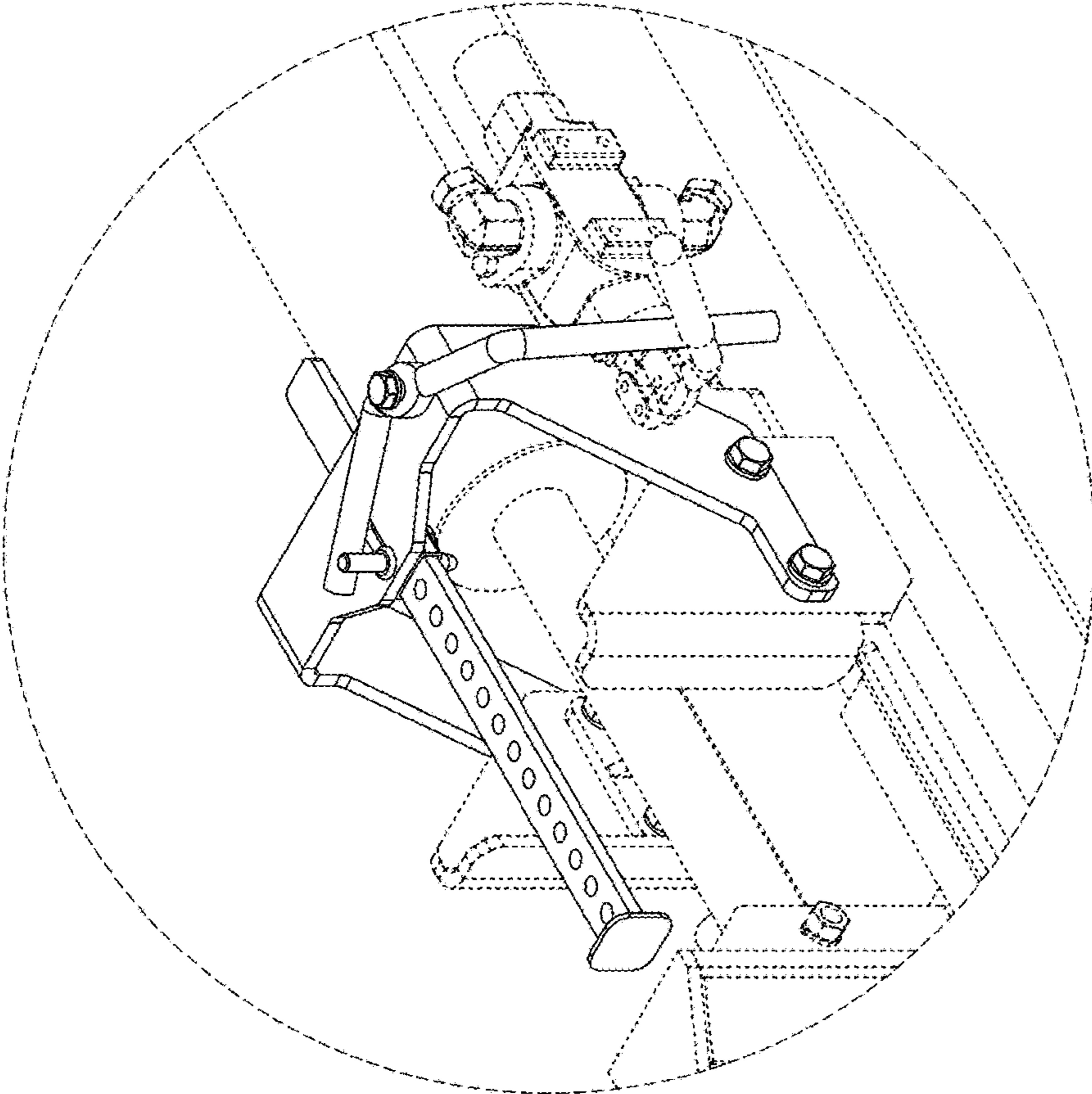


Fig. 4

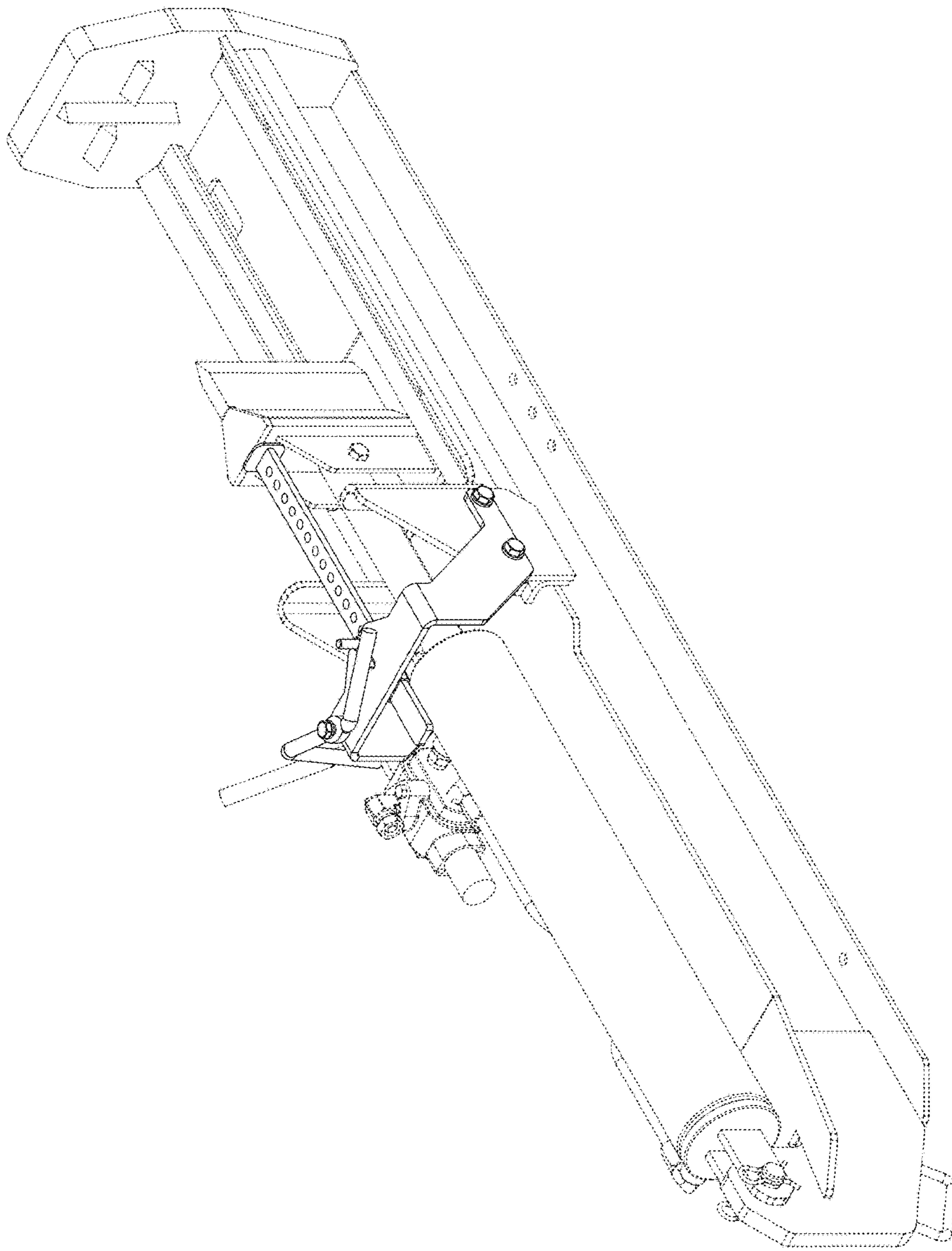


Fig. 5

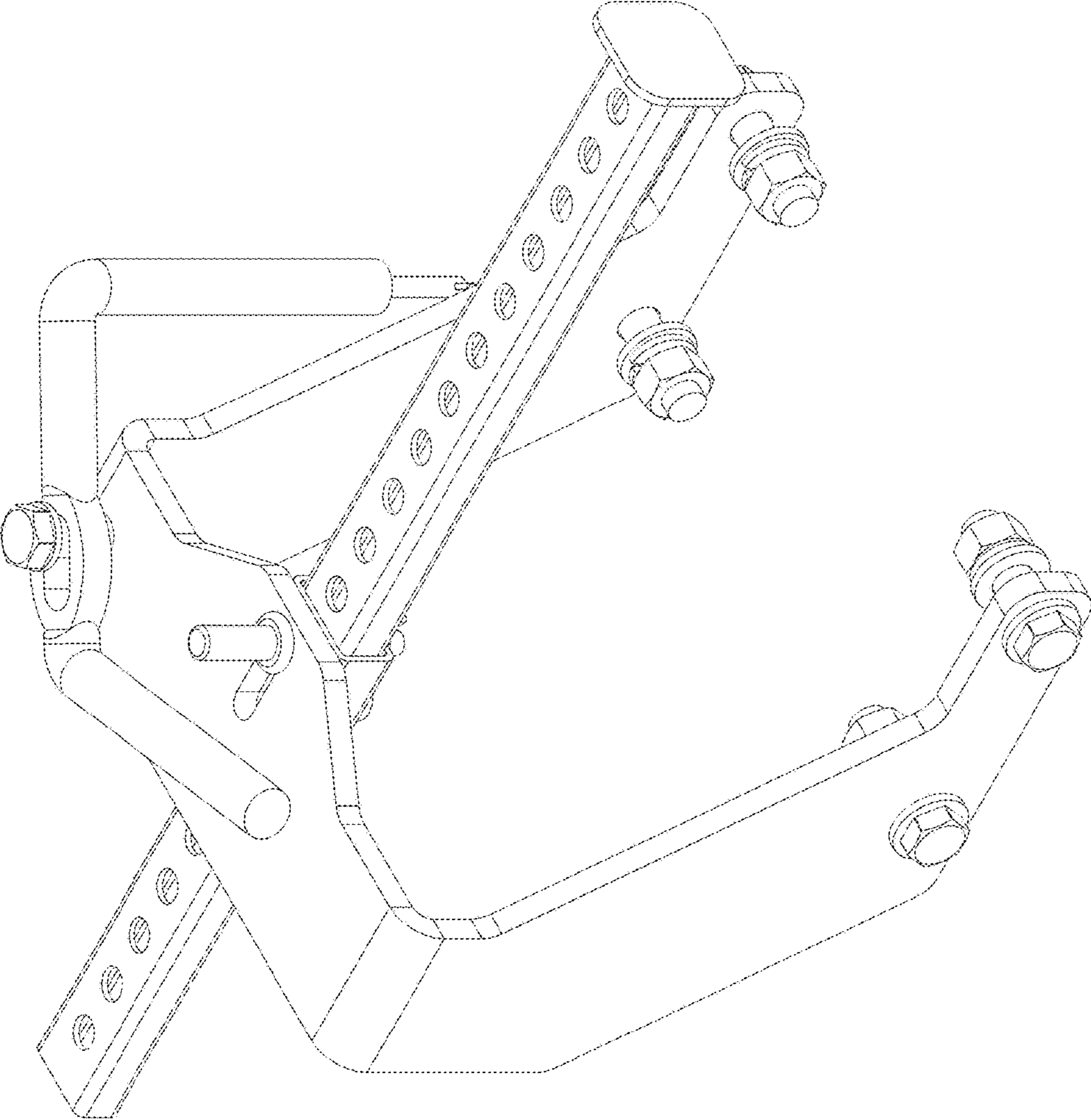


Fig. 6

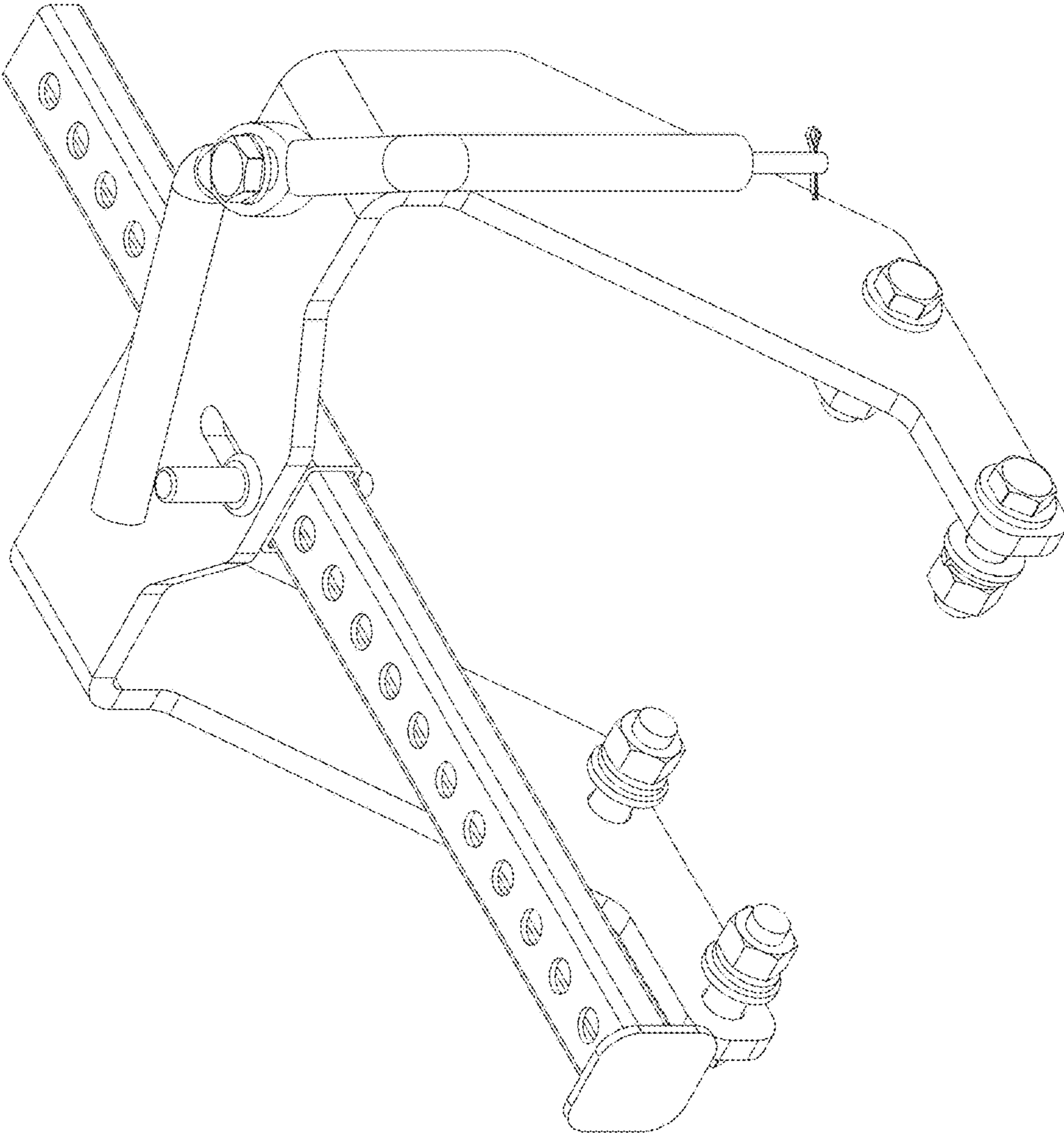


Fig. 7

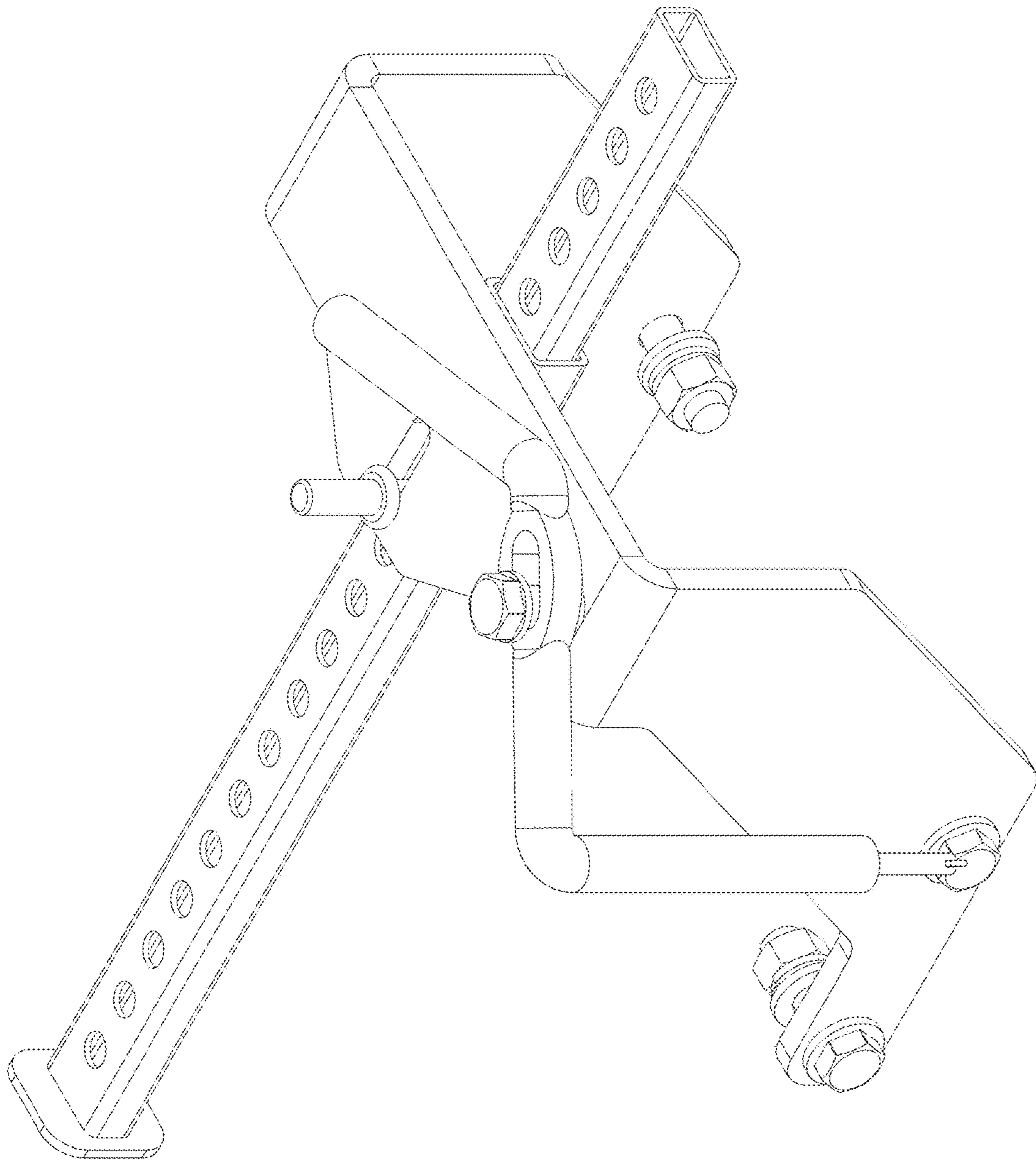


Fig. 8

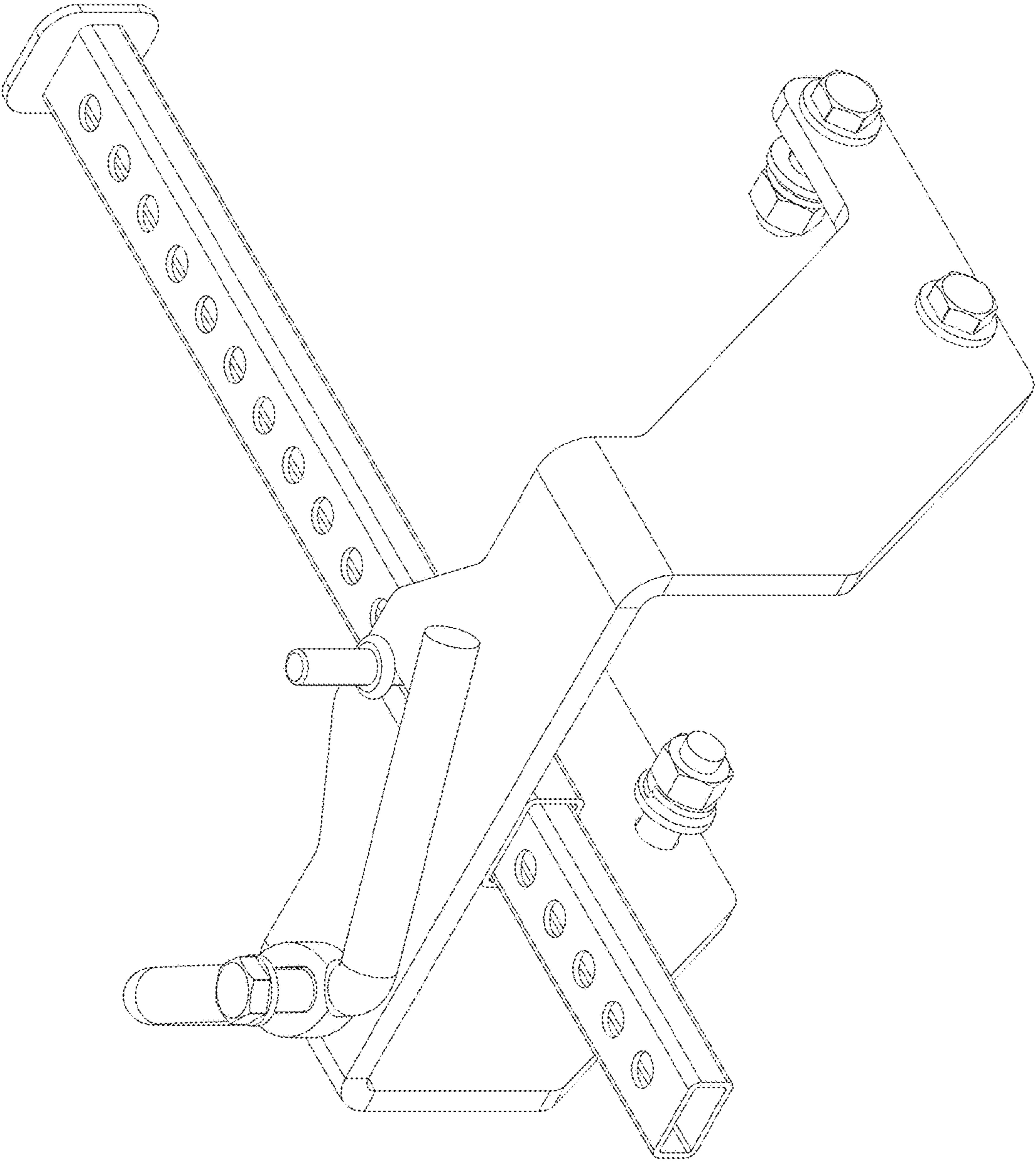


Fig. 9

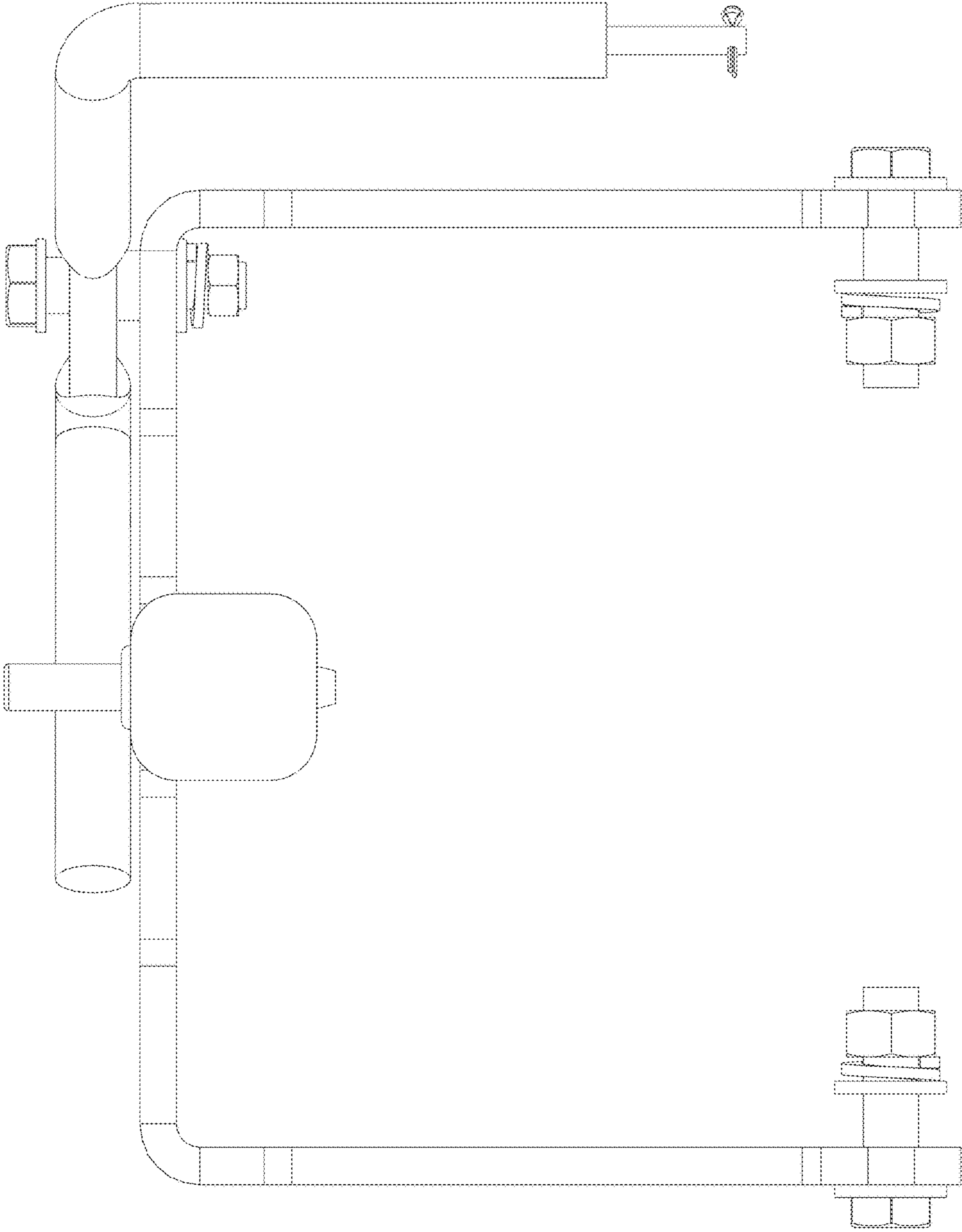


Fig. 10

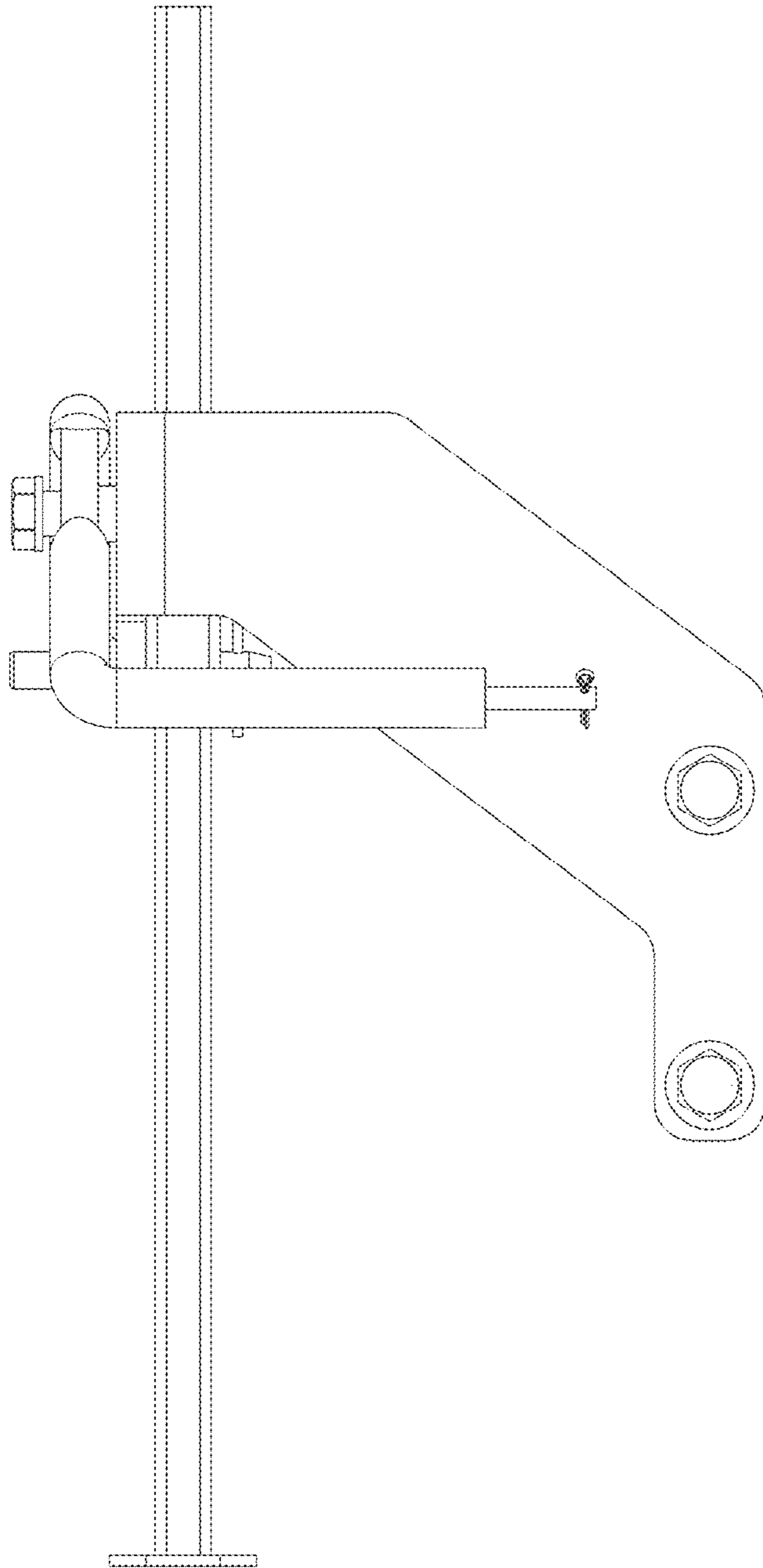


Fig. 11

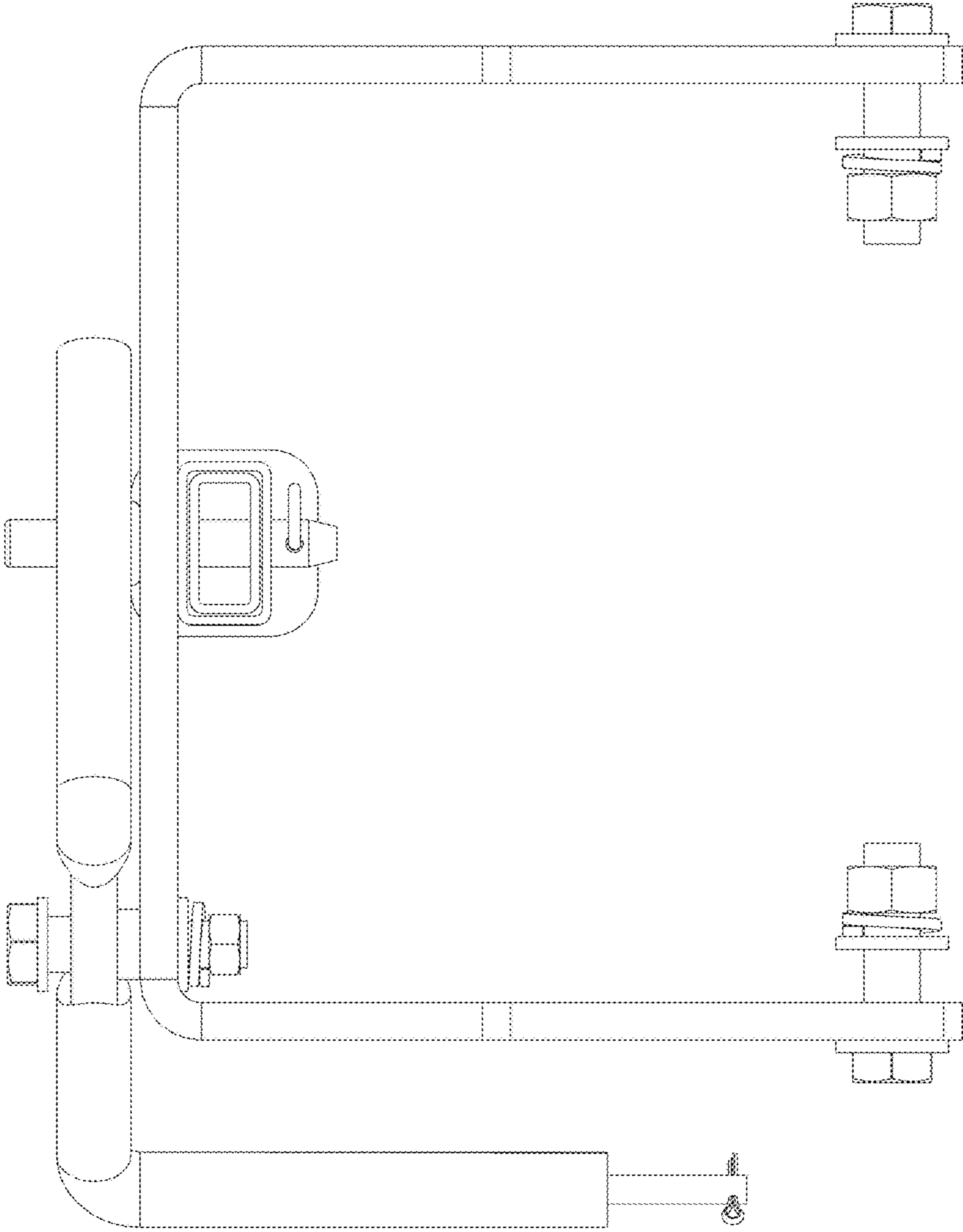


Fig. 12

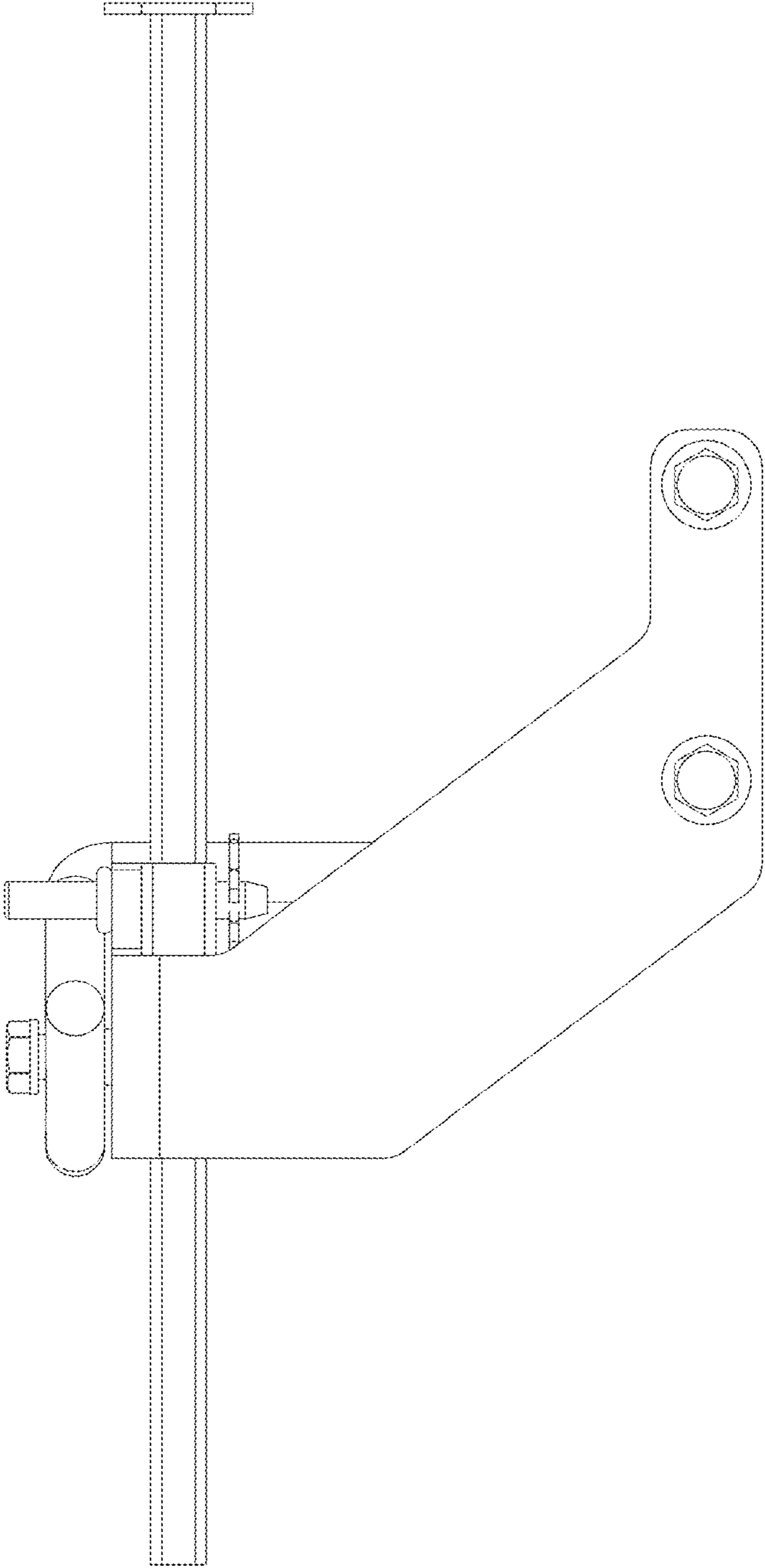


Fig. 13

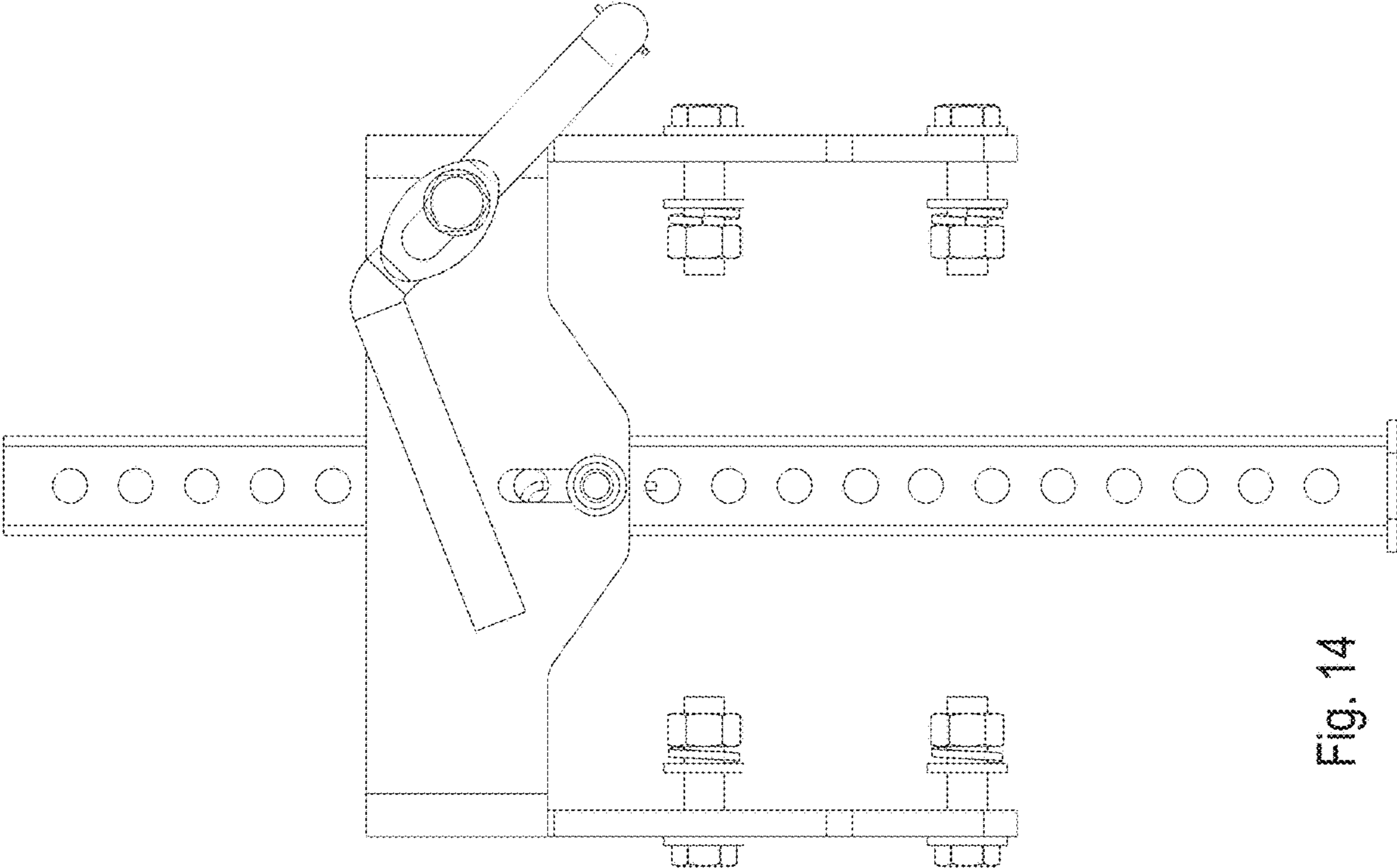


Fig. 14

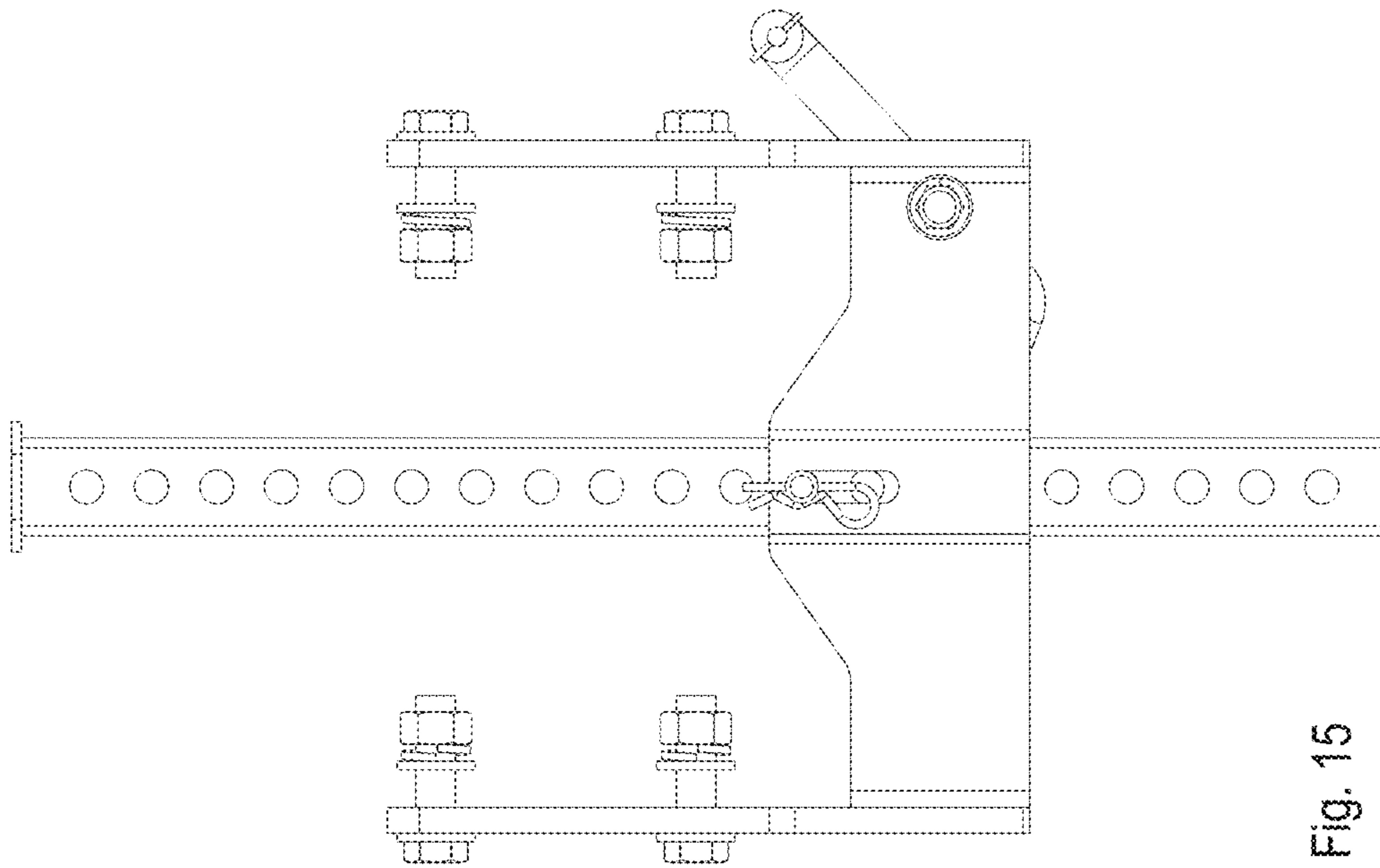


Fig. 15