



US00D789995S

(12) **United States Design Patent**
Kim et al.

(10) **Patent No.:** **US D789,995 S**
(45) **Date of Patent:** **** Jun. 20, 2017**

(54) **REFRIGERATOR**

D742,434 S * 11/2015 Yeo D15/86
D771,724 S * 11/2016 Jeon D15/86
D773,538 S * 12/2016 Jeon D15/86

(71) Applicant: **Samsung Electronics Co., Ltd.**,
Suwon-si (KR)

FOREIGN PATENT DOCUMENTS

(72) Inventors: **Ki-Soo Kim**, Gunpo-Si (KR);
Da-Jeong Kim, Seoul (KR); **Yeon-Jin Jo**,
Suwon-si (KR)

CN 2009301794658 12/2009
CN 201130452456.9 10/2012
JP D1358375 5/2009
KR 30-2011-0031651 1/2013
KR 30-2014-0003701 9/2014

(73) Assignee: **Samsung Electronics Co., Ltd.**,
Suwon-si (KR)

* cited by examiner

(**) Term: **15 Years**

Primary Examiner — Khawaja Anwar

(21) Appl. No.: **29/561,538**

(74) *Attorney, Agent, or Firm* — NSIP Law

(22) Filed: **Apr. 18, 2016**

(30) **Foreign Application Priority Data**

(57) **CLAIM**

Nov. 16, 2015 (KR) 30-2015-0057635

We claim the ornamental design for a refrigerator, as shown and described.

(51) **LOC (10) Cl.** **15-07**

(52) **U.S. Cl.**
USPC **D15/85**

DESCRIPTION

(58) **Field of Classification Search**

USPC D15/79-91
CPC F25D 25/025; F25D 23/028; F25D
2323/024; F25D 23/00; F25D 23/02;
F25D 2323/021; F25D 23/065; F25D
11/00; F25D 2201/14; F25D 23/021;
F25D 23/025; F25D 23/04; F25D 27/00;
F25D 23/062; F25D 23/067; F25D
240/18; F25D 23/08; F25D 23/085; F25D
2500/02; F25D 25/00; F25D 25/005;
F25D 25/022; F25D 25/024; F25D
17/047; F25D 2317/04131; F25D
2317/043; F25D 2317/0664; F25D
2321/147; F25D 2323/02; F25D 2323/023

See application file for complete search history.

FIG. 1 is a front perspective view of a refrigerator showing our new design;
FIG. 2 is a front view thereof;
FIG. 3 is a rear view thereof;
FIG. 4 is a left-side view thereof;
FIG. 5 is a right-side view thereof;
FIG. 6 is a top view thereof;
FIG. 7 is a bottom view thereof;
FIG. 8 is an enlarged view of the encircled portion in FIG. 2;
FIG. 9 is an enlarged view of the encircled portion in FIG. 4; and,
FIG. 10 is an enlarged view of the encircled portion in FIG. 4.

(56) **References Cited**

U.S. PATENT DOCUMENTS

D742,432 S * 11/2015 Jeon D15/86
D742,433 S * 11/2015 Jeon D15/86

The broken lines in the figures show portions of the refrigerator which form no part of the claimed design. The dot-dash broken lines encircling portions of the claimed design that are illustrated in enlargements form no part of the claimed design.

1 Claim, 9 Drawing Sheets

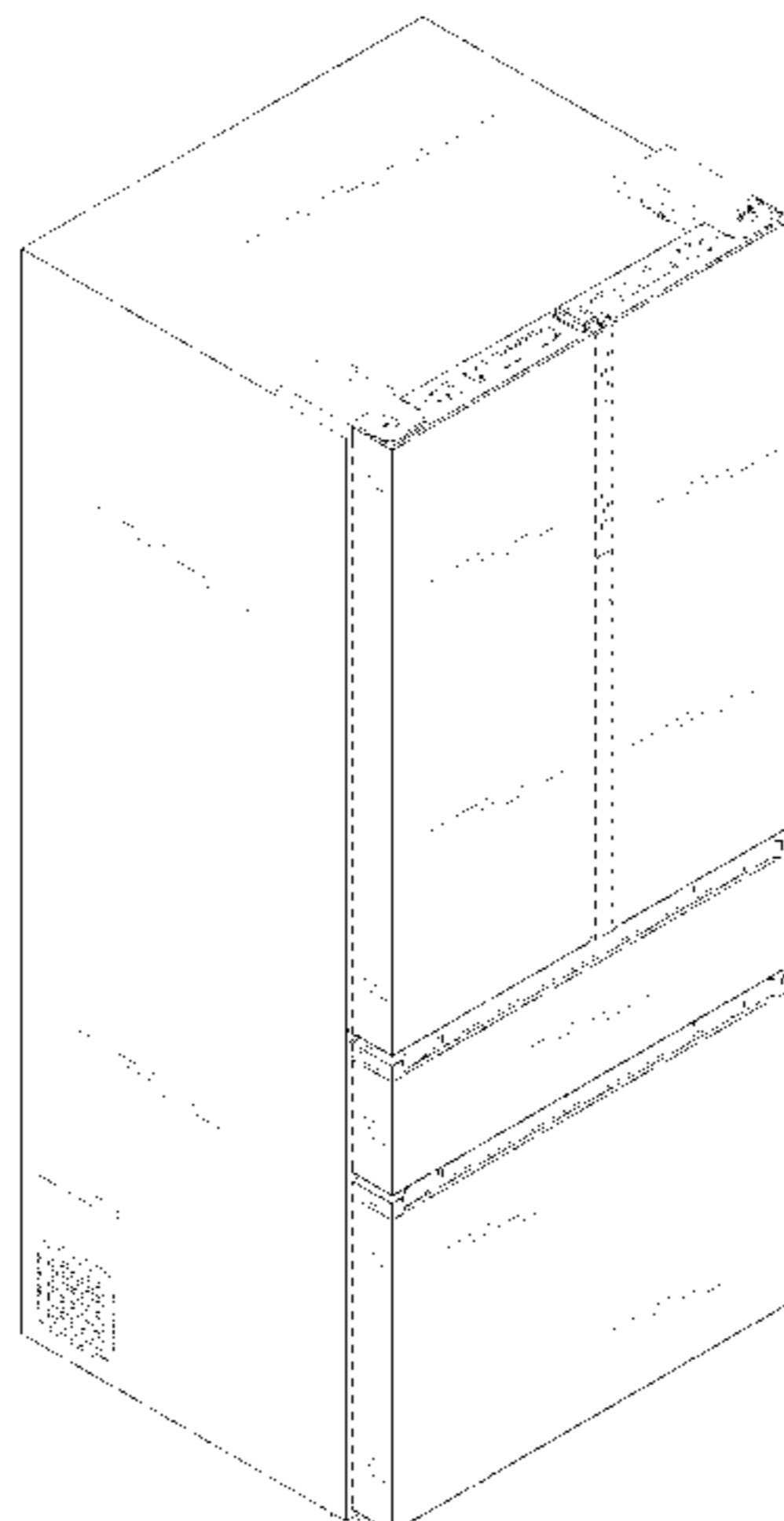


FIG. 1

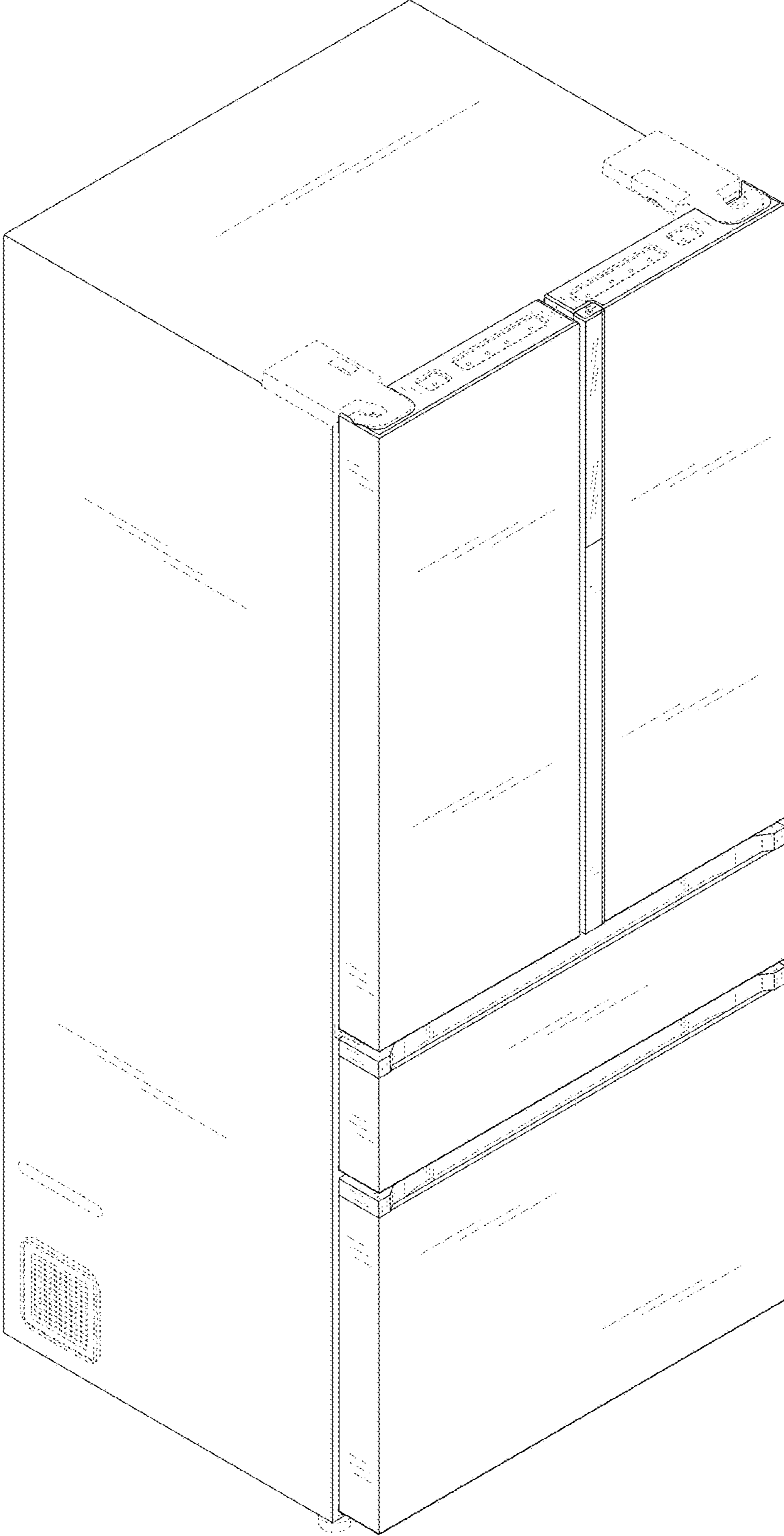


FIG. 2

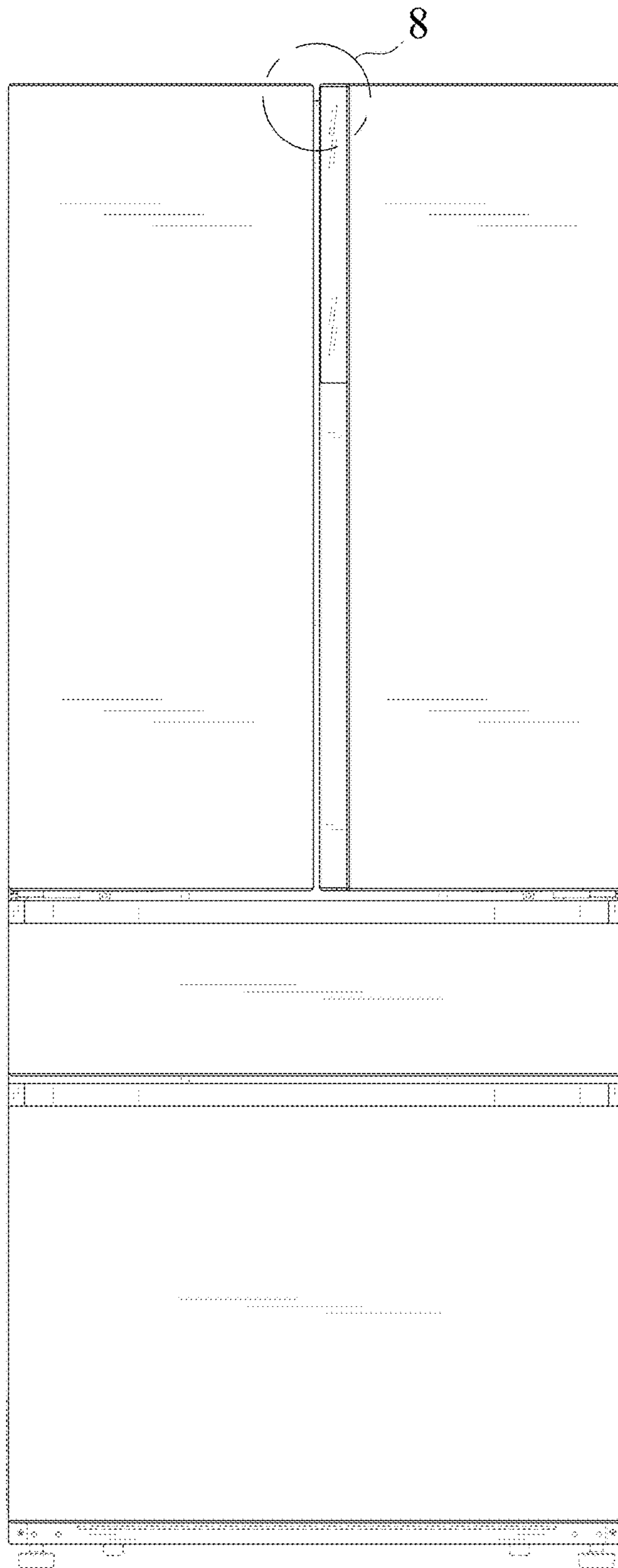


FIG. 3



FIG. 4

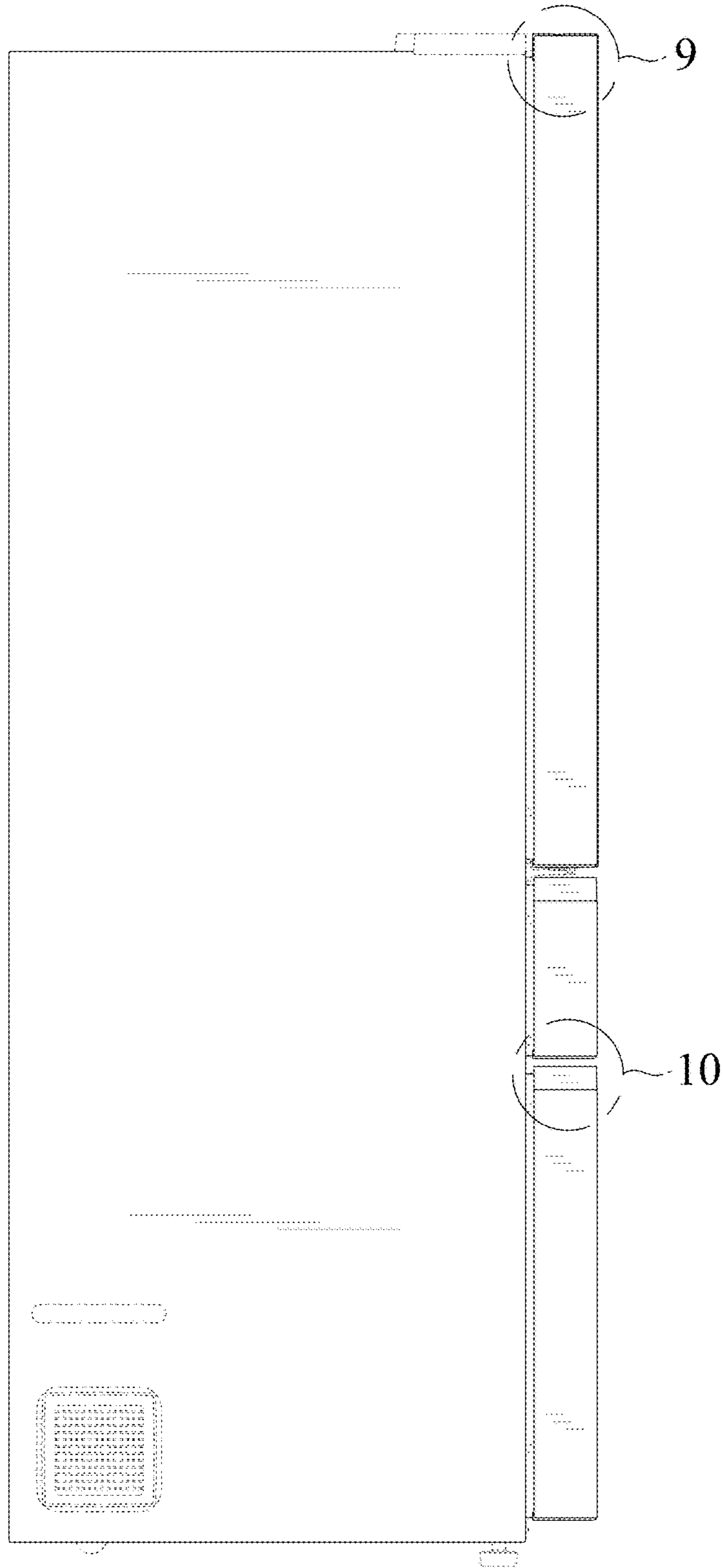


FIG. 5

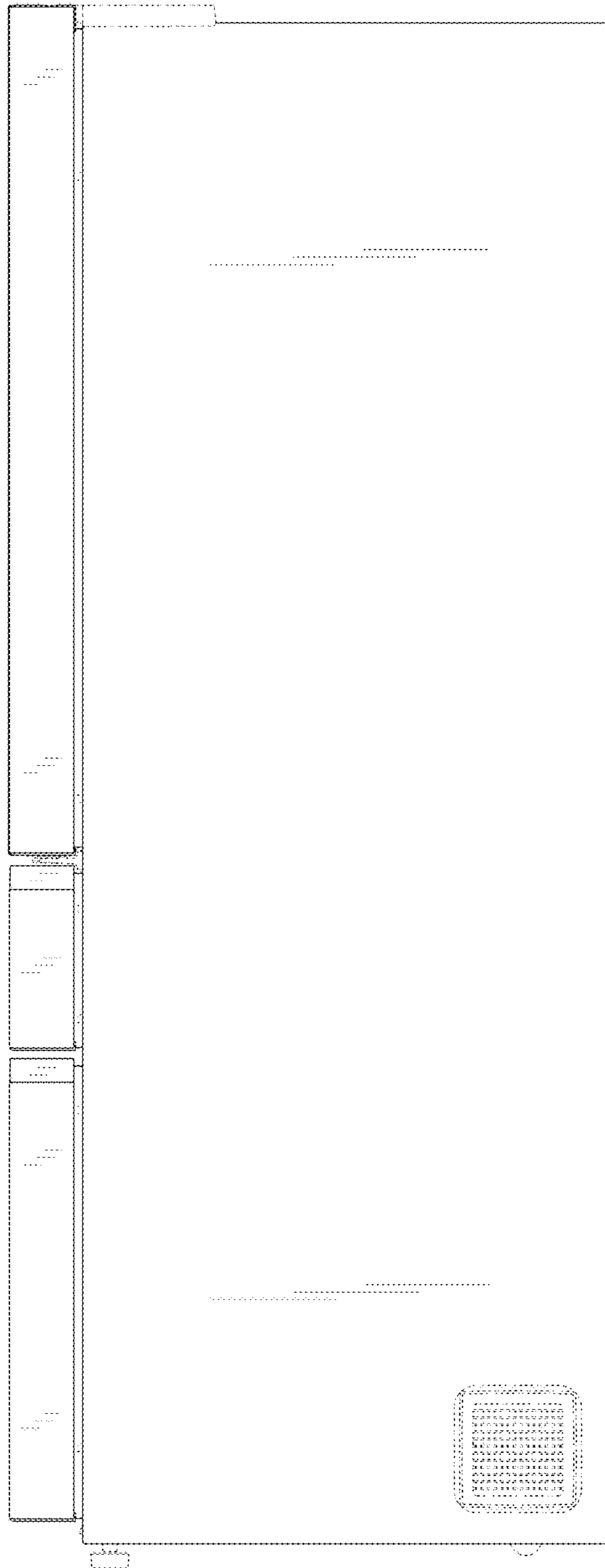


FIG. 6

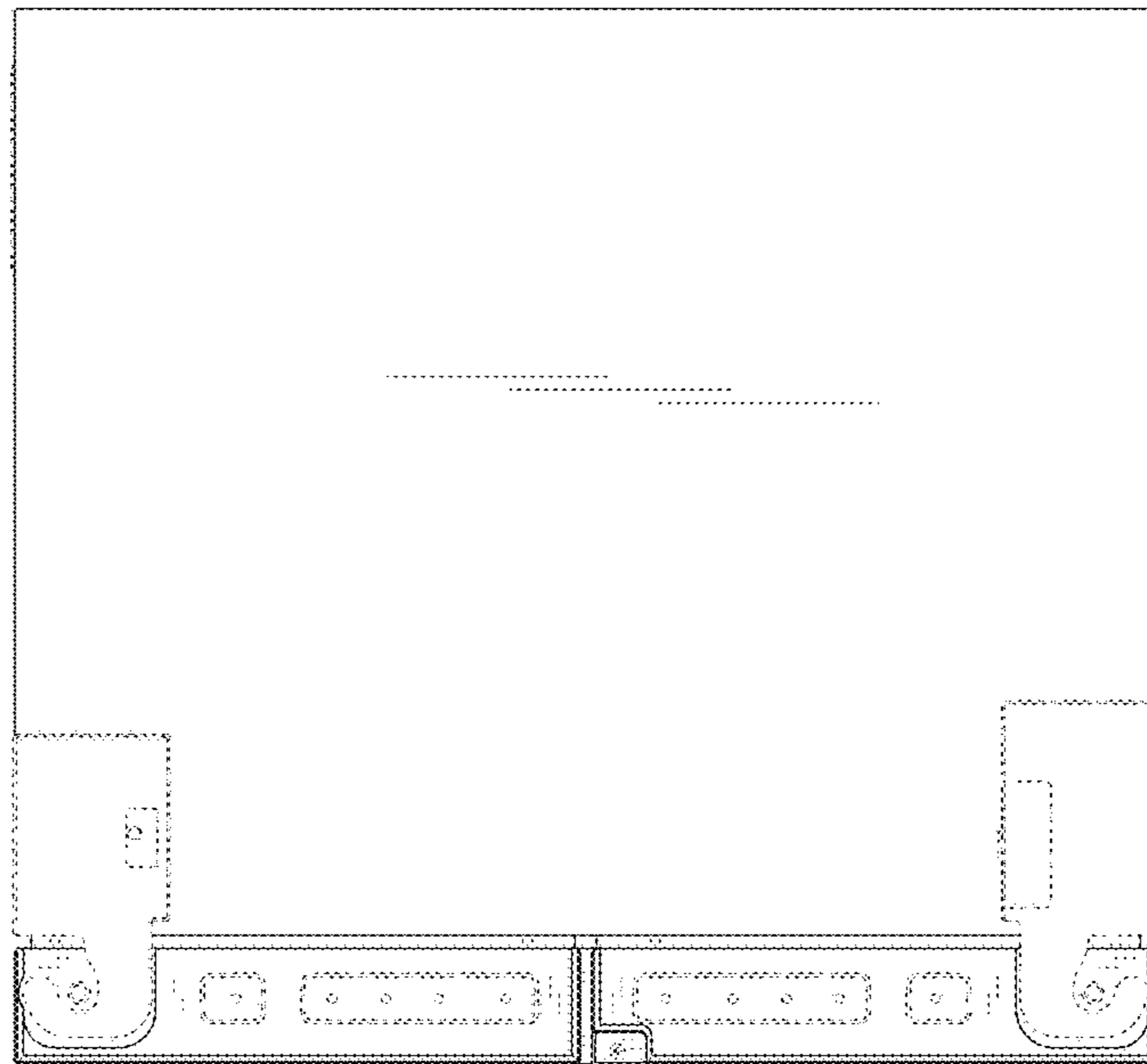


FIG. 7

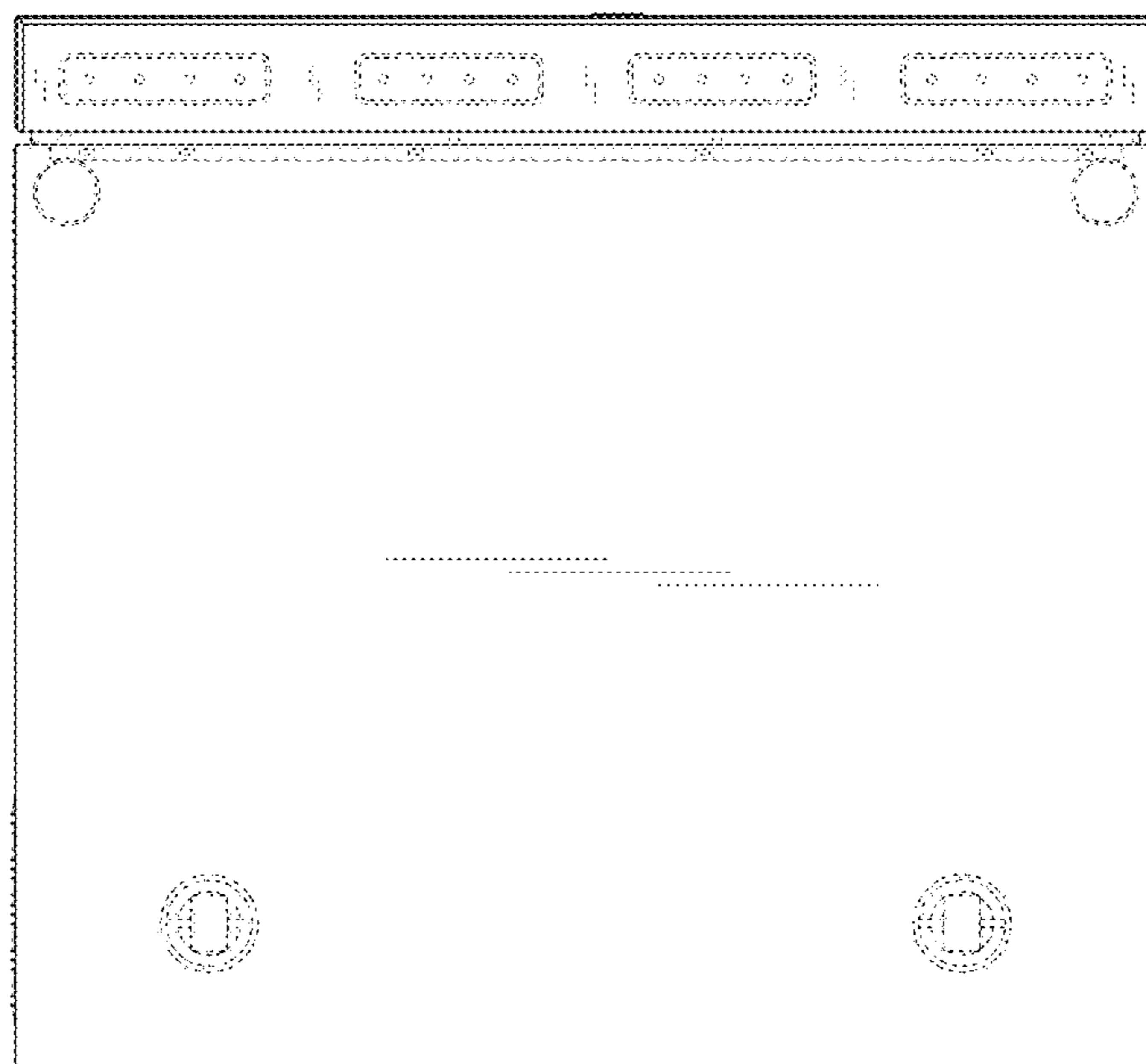


FIG. 8

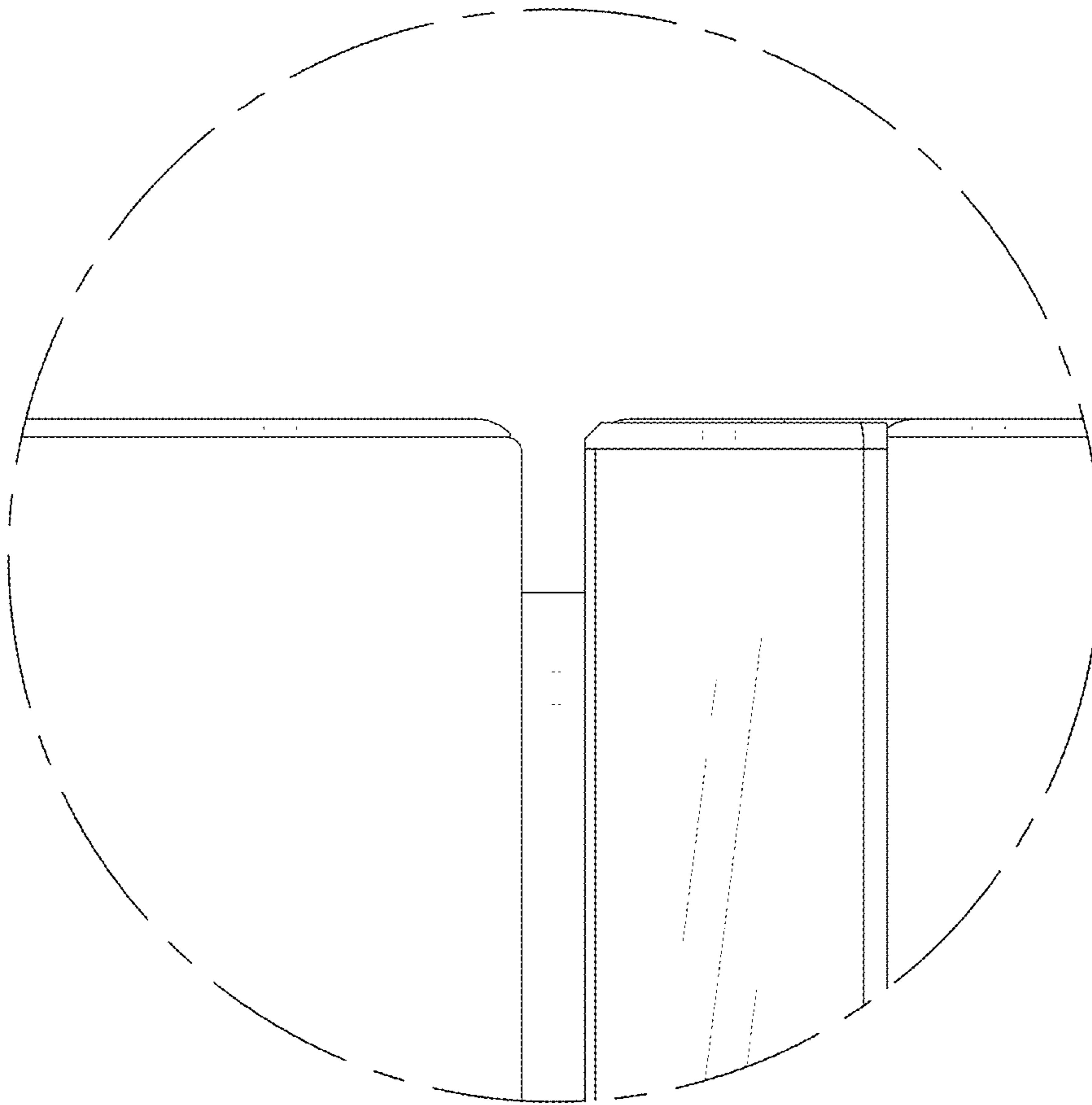


FIG. 9

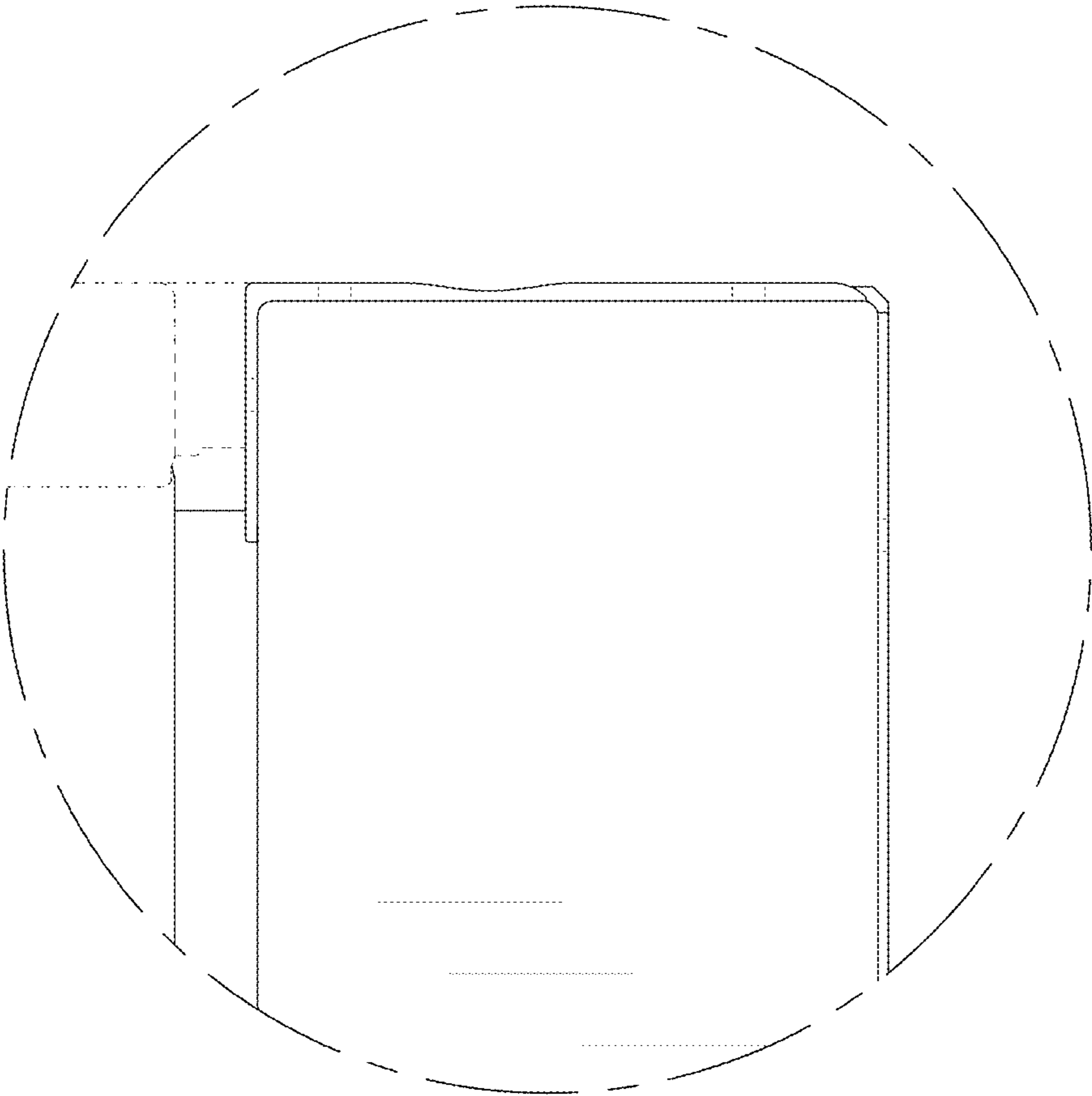


FIG. 10

