



US00D78994S

(12) **United States Design Patent**  
**Henke**

(10) **Patent No.:** **US D789,994 S**  
(45) **Date of Patent:** **\*\* Jun. 20, 2017**

- (54) **TAMPER TOOL**
- (71) Applicant: **Nordco Inc.**, Oak Creek, WI (US)
- (72) Inventor: **Daniel Mark Henke**, Hartland, WI (US)
- (73) Assignee: **NORDCO INC.**, Oak Creek, WI (US)
- (\*\*) Term: **15 Years**
- (21) Appl. No.: **29/535,330**
- (22) Filed: **Aug. 5, 2015**
- (51) **LOC (10) Cl.** ..... **15-03**
- (52) **U.S. Cl.**  
USPC ..... **D15/29**
- (58) **Field of Classification Search**  
USPC ..... D8/1, 14, 45, 47, 98; D32/46; D15/29, D15/139  
CPC ..... E01B 17/00; E01B 27/16  
See application file for complete search history.

D492,172 S *	6/2004	Theurer	.....	D8/47
D495,567 S *	9/2004	Gontar	.....	D8/1
6,877,931 B2	4/2005	Theurer et al.		
6,925,940 B2	8/2005	Ruban		
6,968,786 B2	11/2005	Theurer		
D512,614 S *	12/2005	Theurer	.....	D8/47
6,978,718 B2	12/2005	Seyrlehner		
7,013,812 B2	3/2006	Williams		
7,013,984 B2 *	3/2006	Atkinson	.....	B25D 17/02 173/1
7,325,496 B2	2/2008	Williams		
7,363,922 B2 *	4/2008	Lang	.....	B25D 17/02 125/36
7,527,452 B2	5/2009	Theurer et al.		
7,726,246 B2	6/2010	Williams		
D689,755 S *	9/2013	Quinn	.....	D8/47
2002/0051682 A1	5/2002	Gevik et al.		

(Continued)

*Primary Examiner* — Phillip S Hyder  
(74) *Attorney, Agent, or Firm* — Greer, Burns & Crain, Ltd.

(57) **CLAIM**

The ornamental design for a tamper tool, as shown and described.

**DESCRIPTION**

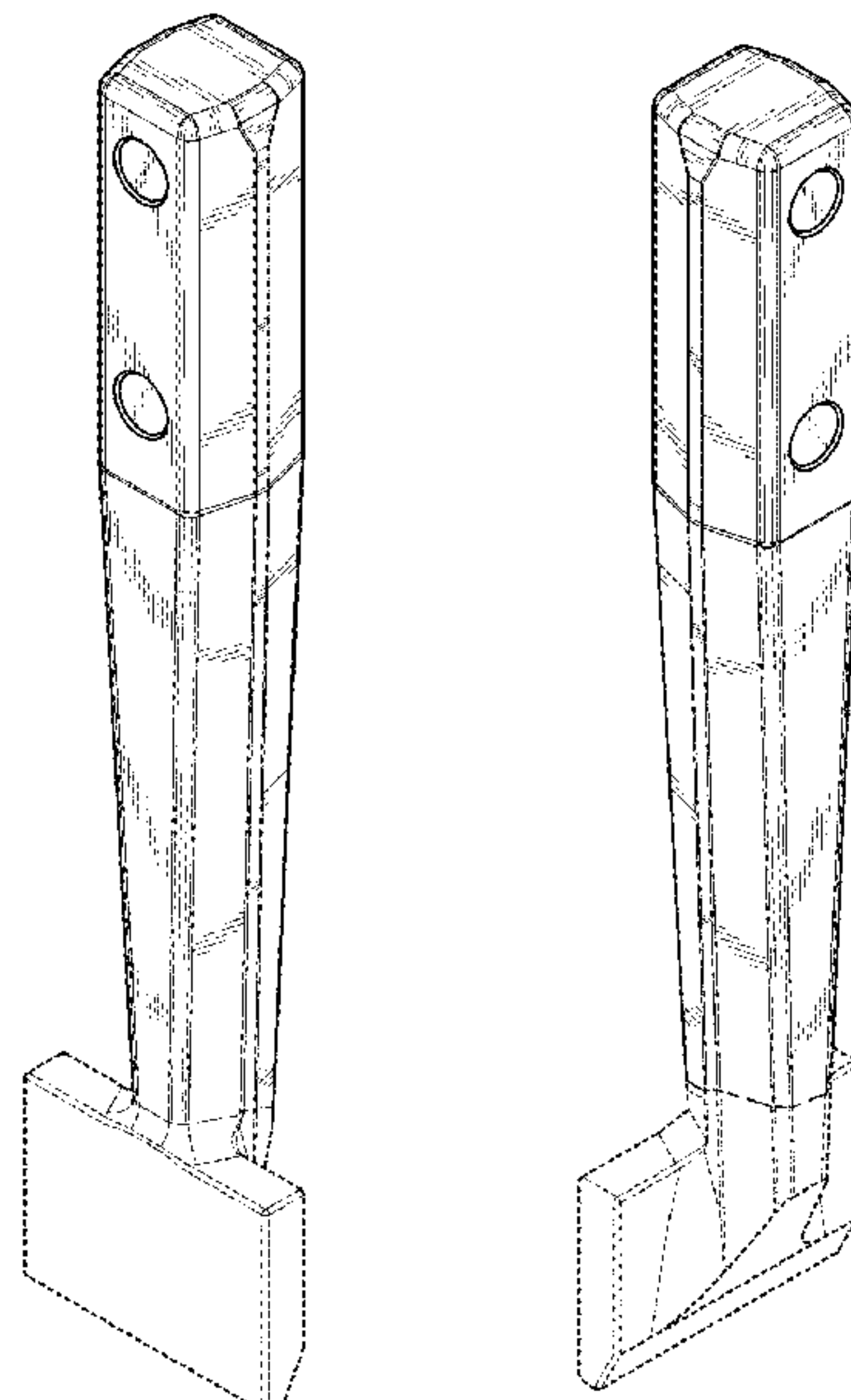
FIG. 1 is a top front perspective view of the present tamper tool;  
FIG. 2 is a top rear perspective view of same;  
FIG. 3 is a left side view of the tamper tool of FIG. 1;  
FIG. 4 is a right side view of same;  
FIG. 5 is a front view of the tamper tool of FIG. 1;  
FIG. 6 is a rear view of same;  
FIG. 7 is a top plan view of same; and,  
FIG. 8 is a bottom plan view of the tamper tool of FIG. 1.  
The broken lines depict portions of the tamper tool in which the design is embodied that are not considered part of the claimed design.

**1 Claim, 4 Drawing Sheets**

(56) **References Cited**

U.S. PATENT DOCUMENTS

3,677,187 A *	7/1972	Stewart	.....	E01B 27/16 104/10
4,089,562 A *	5/1978	Baumeister	.....	E01C 23/0926 125/36
4,160,419 A *	7/1979	Stewart	.....	E01B 27/16 104/10
4,501,200 A *	2/1985	Delucia	.....	E01B 27/16 104/10
5,125,145 A	6/1992	Williams		
5,533,455 A	7/1996	Theurer et al.		
5,584,248 A	12/1996	Sandsted et al.		
5,730,059 A	3/1998	Sandsted et al.		
6,067,910 A	5/2000	Theurer et al.		
6,386,114 B1	5/2002	Morgan et al.		
D491,432 S *	6/2004	Theurer	.....	D8/47



(56)

**References Cited**

U.S. PATENT DOCUMENTS

2004/0010921 A1\* 1/2004 Lang ..... B25D 17/02  
30/167  
2006/0090666 A1 5/2006 Theurer et al.  
2013/0263755 A1 10/2013 Widloither  
2015/0233063 A1\* 8/2015 Klippel ..... B23K 1/0008  
104/10

\* cited by examiner

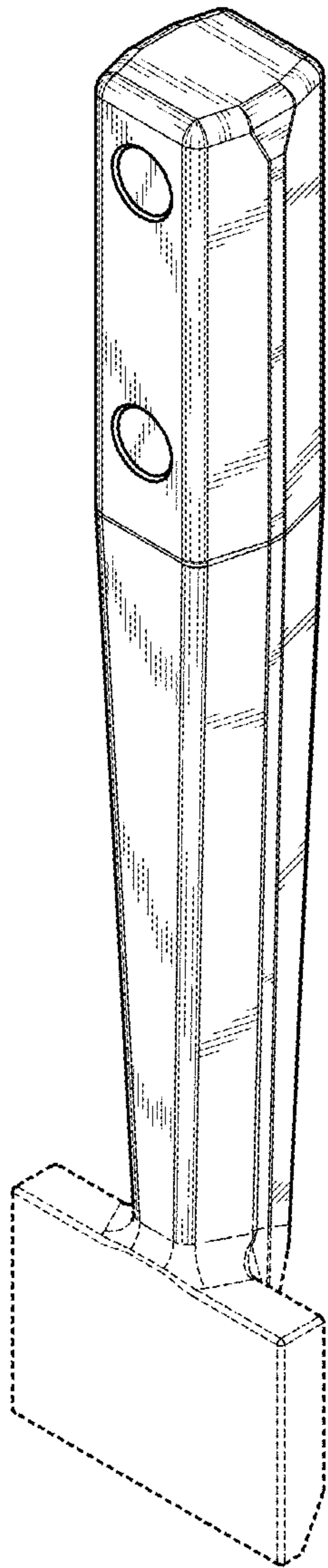


FIG. 1

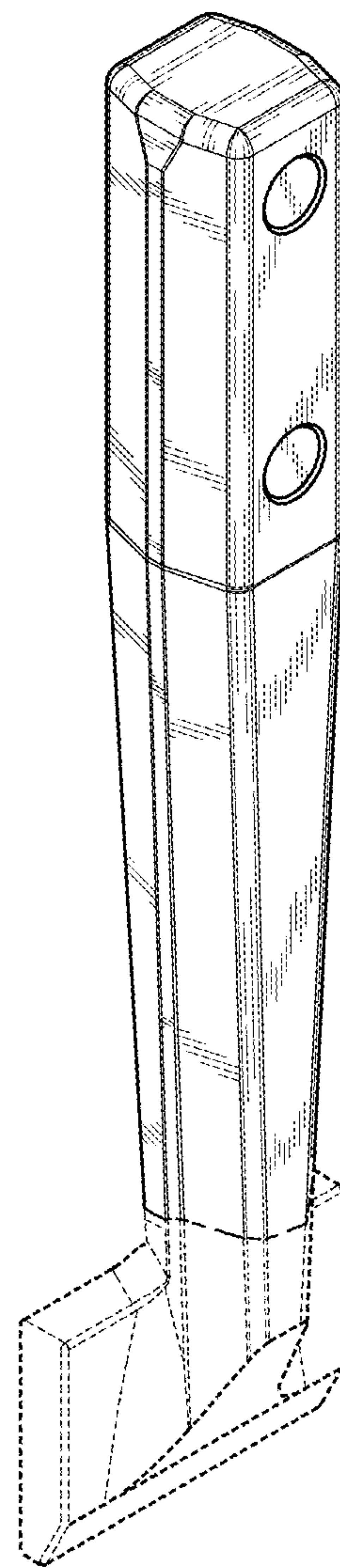


FIG. 2

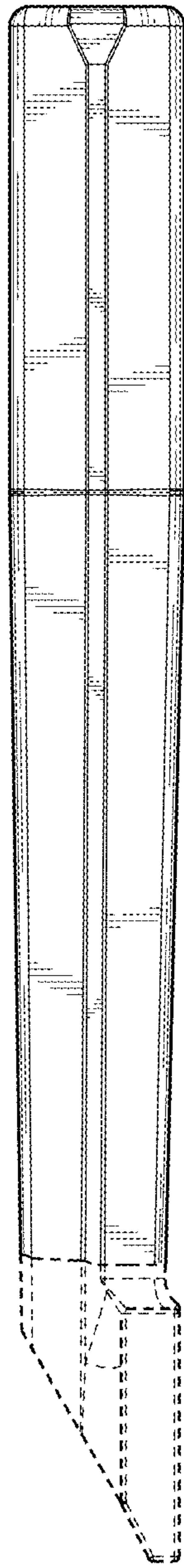


FIG. 3

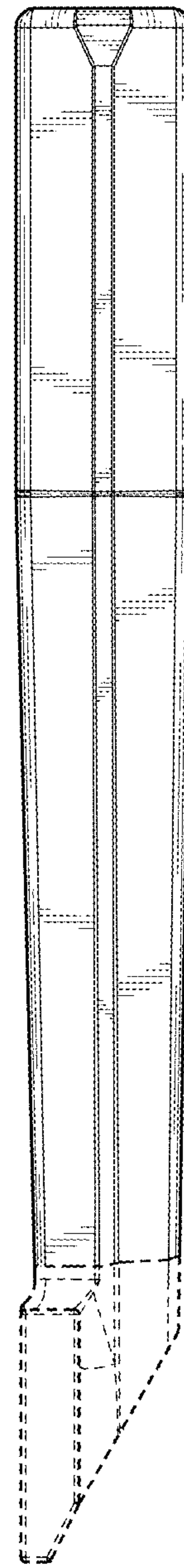


FIG. 4

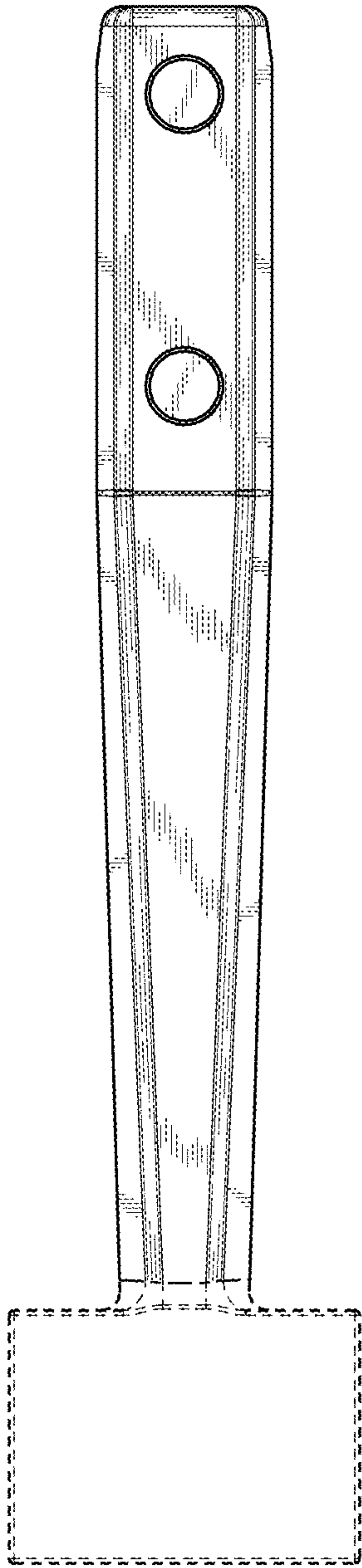


FIG. 5

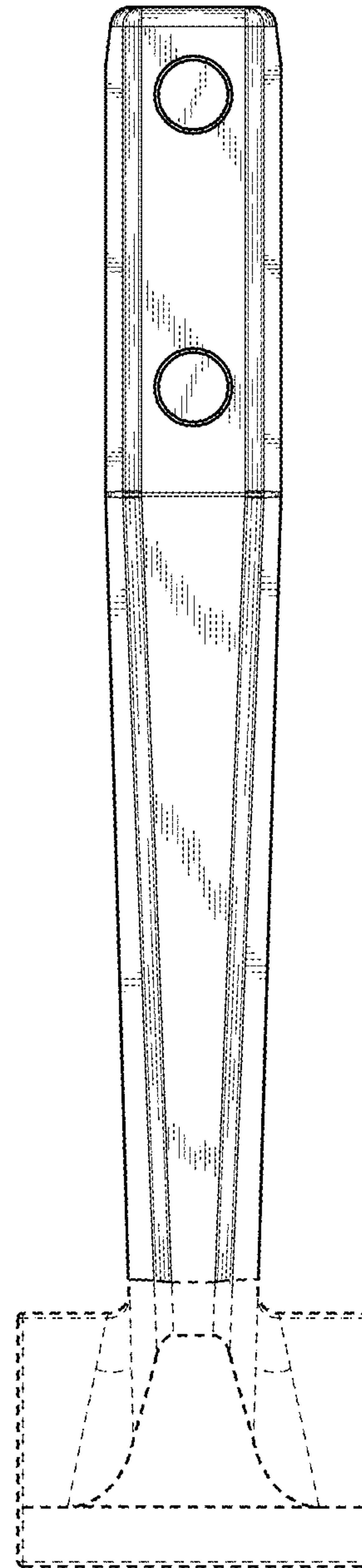


FIG. 6



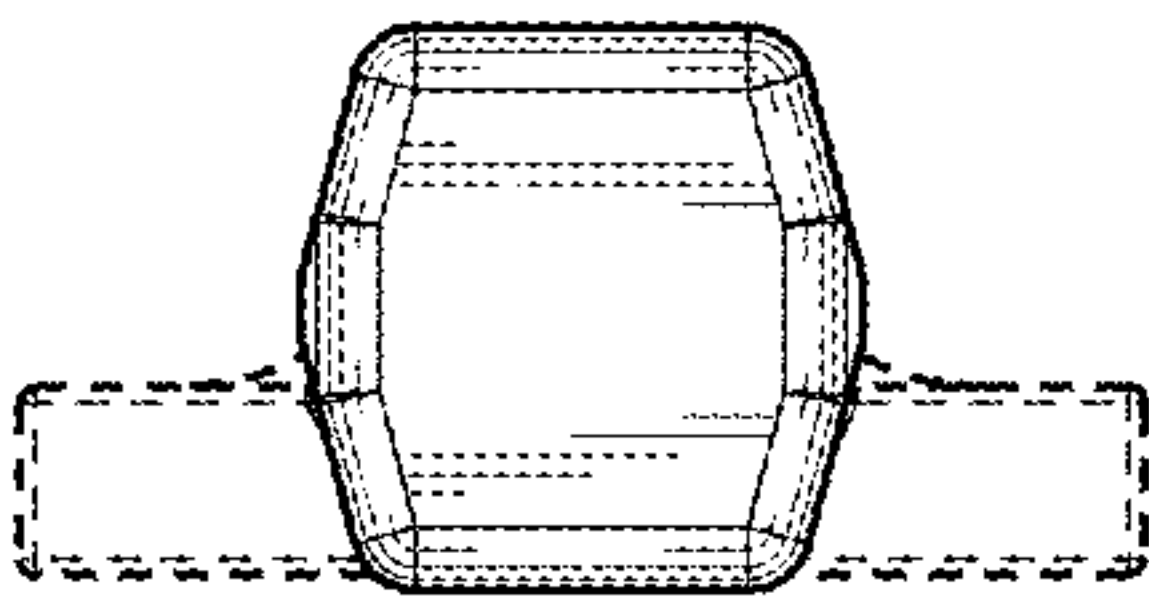


FIG. 7

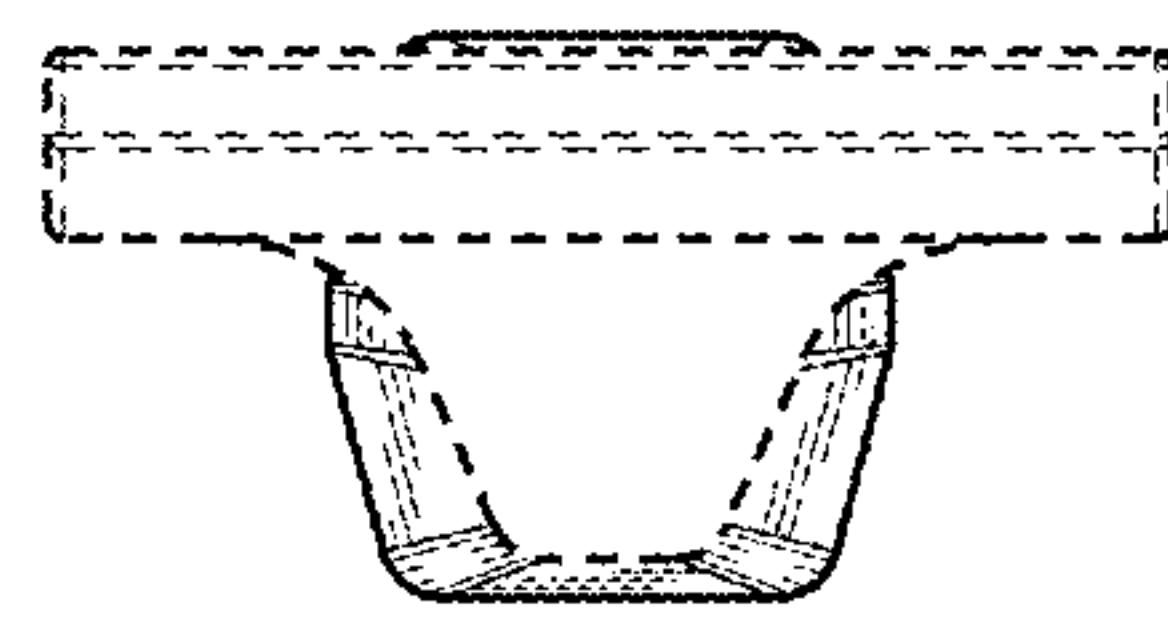


FIG. 8