



US00D789993S

(12) **United States Design Patent**
Shi

(10) **Patent No.:** **US D789,993 S**

(45) **Date of Patent:** **** Jun. 20, 2017**

(54) **MOWER**

(71) Applicant: **CHANGZHOU GLOBE CO., LTD.**,
Changzhou, Jiangsu (CN)

(72) Inventor: **Qinghua Shi**, Jiangsu (CN)

(73) Assignee: **CHANGZHOU GLOBE CO., LTD.**,
Changzhou (CN)

(**) Term: **15 Years**

(21) Appl. No.: **29/579,441**

(22) Filed: **Sep. 30, 2016**

(30) **Foreign Application Priority Data**

Apr. 7, 2016 (CN) 2016 3 0112482

(51) **LOC (10) Cl.** **15-03**

(52) **U.S. Cl.**
USPC **D15/14**

(58) **Field of Classification Search**

USPC D15/28, 22-26, 14-18, 31, 33; D12/181,
D12/184, 196; 296/198; 280/160, 847,
280/154, 854; 180/68.1, 900, 69.21,
180/69.22, 69.23, 69.24, 69.25, 89.1,
180/69.2, 89.12, 89.19, 273, 68.6;
56/16.1, 13.3, 15.9, 16.7, 17.4, 202, 255,
56/320.1, 13.4, 15.8, 294, 320.2
CPC .. B62D 25/161; B62D 25/168; B62D 25/182;
B62D 25/18; B62D 25/16

See application file for complete search history.

(56) **References Cited**

U.S. PATENT DOCUMENTS

5,518,079 A * 5/1996 Zvolanek A01D 34/6806
180/19.1
5,822,961 A * 10/1998 Busboom A01D 34/6806
56/10.8
5,915,487 A * 6/1999 Splittstoesser B62D 51/04
180/19.1
D415,503 S * 10/1999 Eavenson D15/14
D417,458 S * 12/1999 Waibel D15/14
D423,018 S * 4/2000 Crosby D15/14

* cited by examiner

Primary Examiner — Mark Goodwin

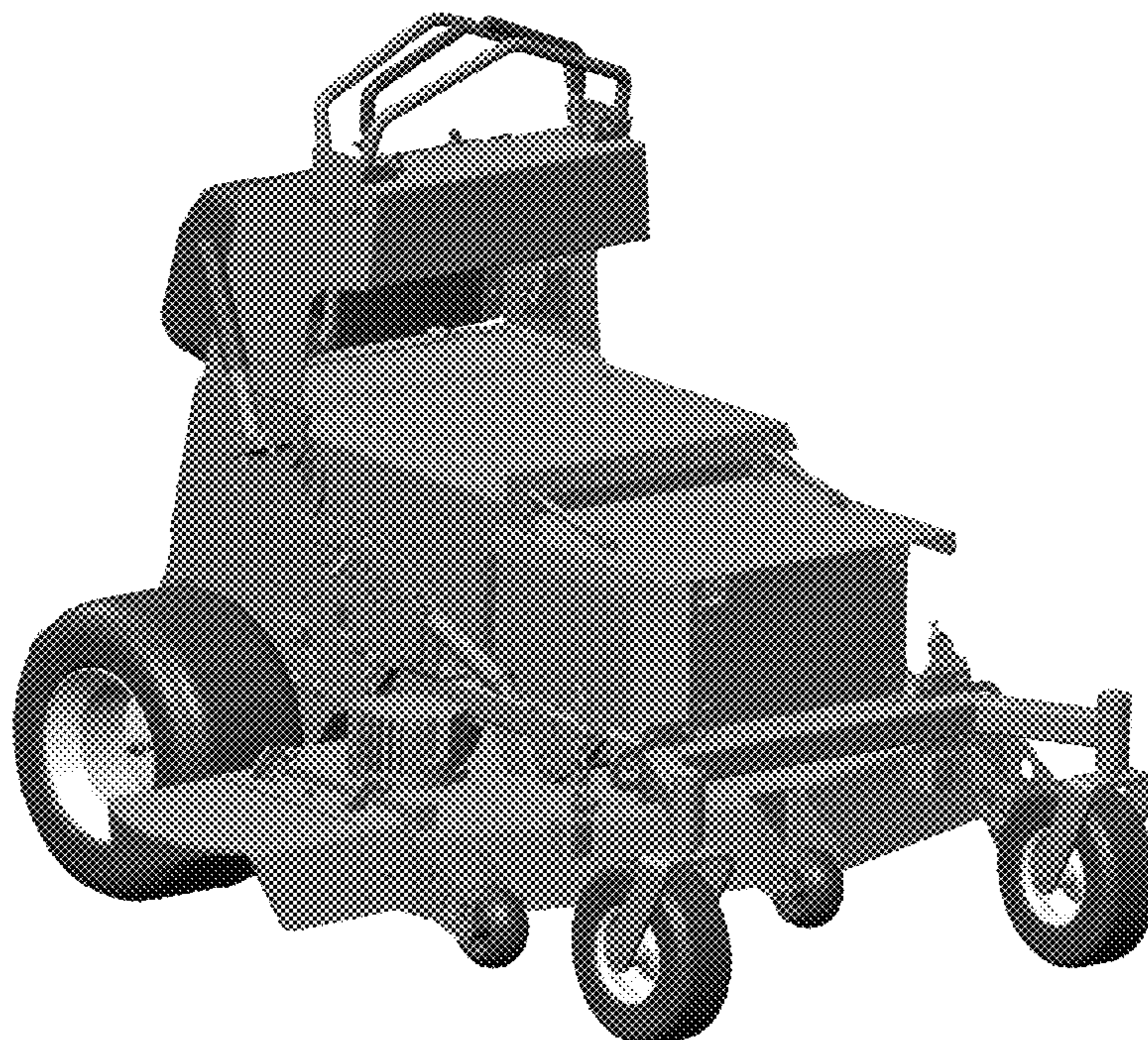
(57) **CLAIM**

The ornamental design for a mower, as shown and described.

DESCRIPTION

FIG. 1 is a first perspective view of a mower showing my new design;
FIG. 2 is a second perspective view thereof;
FIG. 3 is a third perspective view thereof;
FIG. 4 is a fourth perspective view thereof;
FIG. 5 is a front elevational view thereof;
FIG. 6 is a rear elevational view thereof;
FIG. 7 is a left side view thereof;
FIG. 8 is a right side view thereof;
FIG. 9 is a top plan view thereof; and,
FIG. 10 is a bottom plan view thereof.

1 Claim, 10 Drawing Sheets



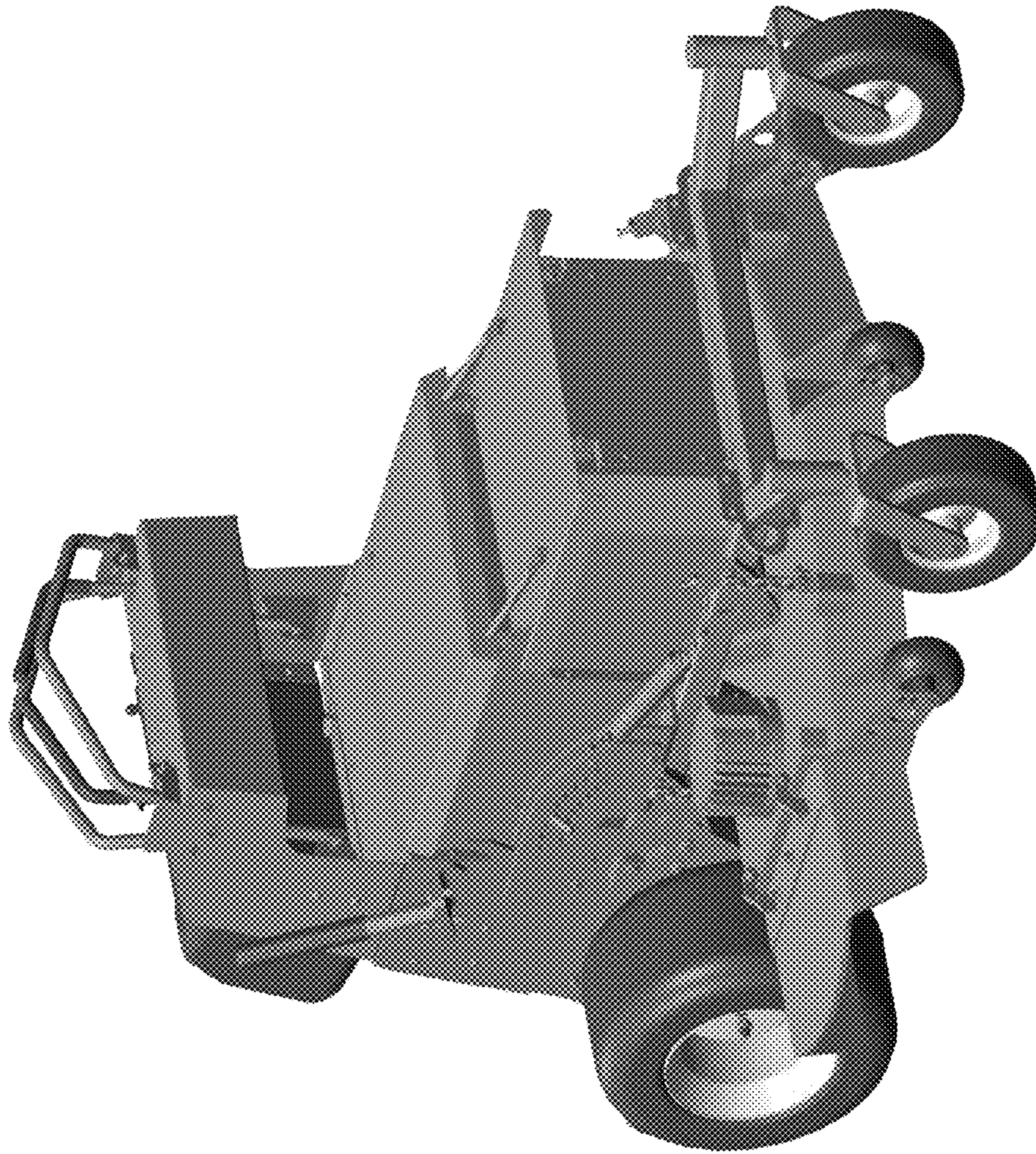


Fig. 1

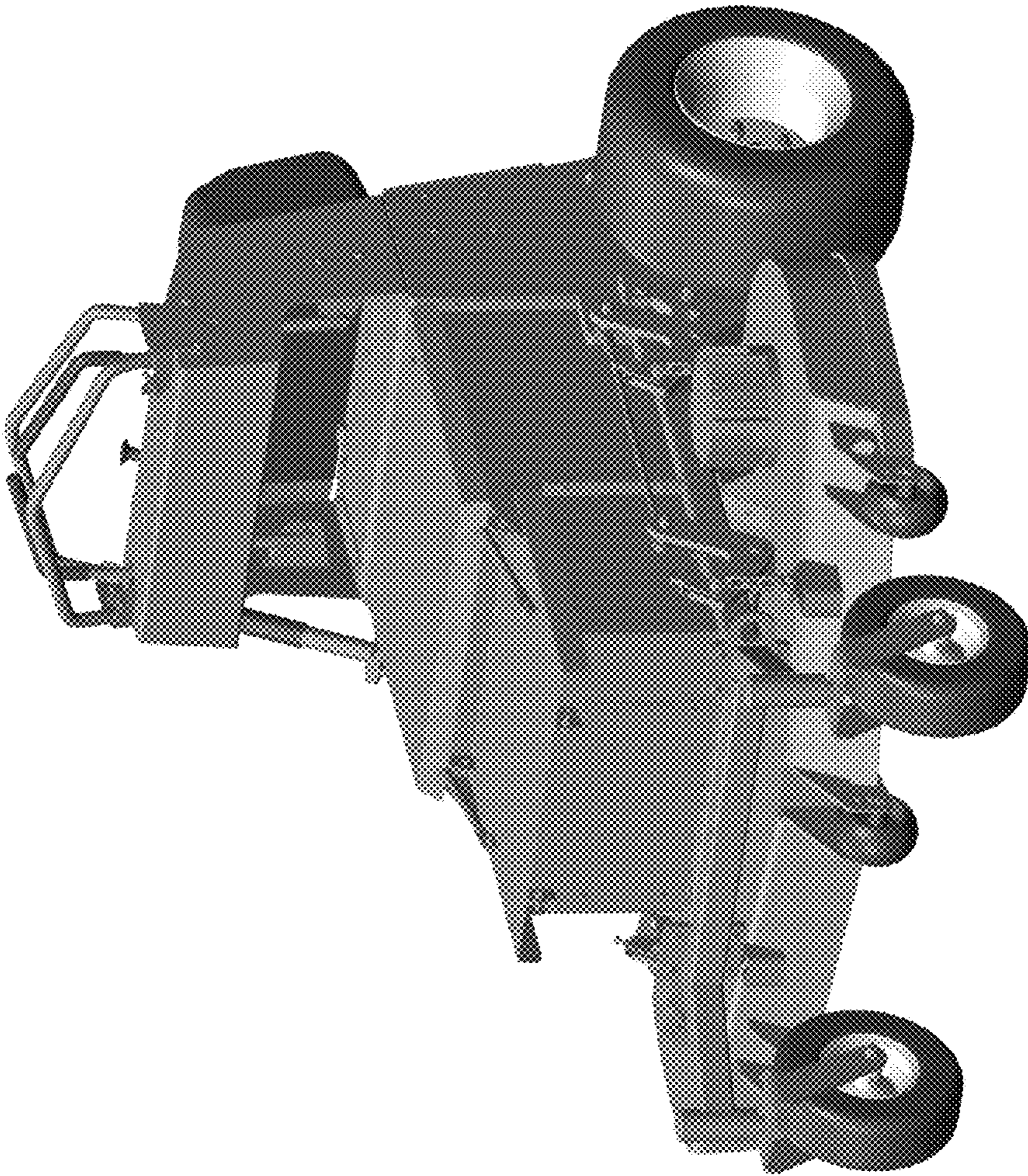


Fig. 2

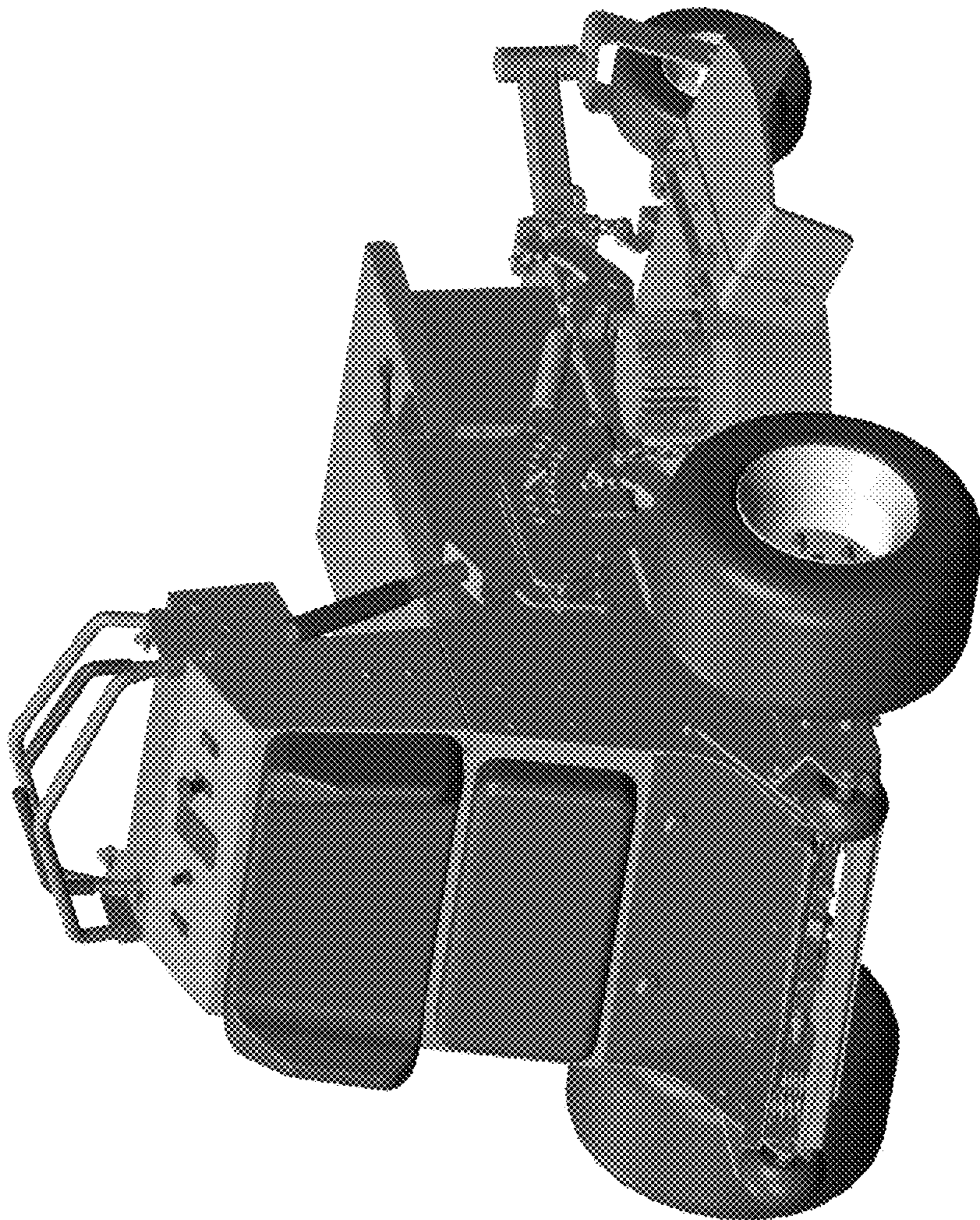


Fig. 3

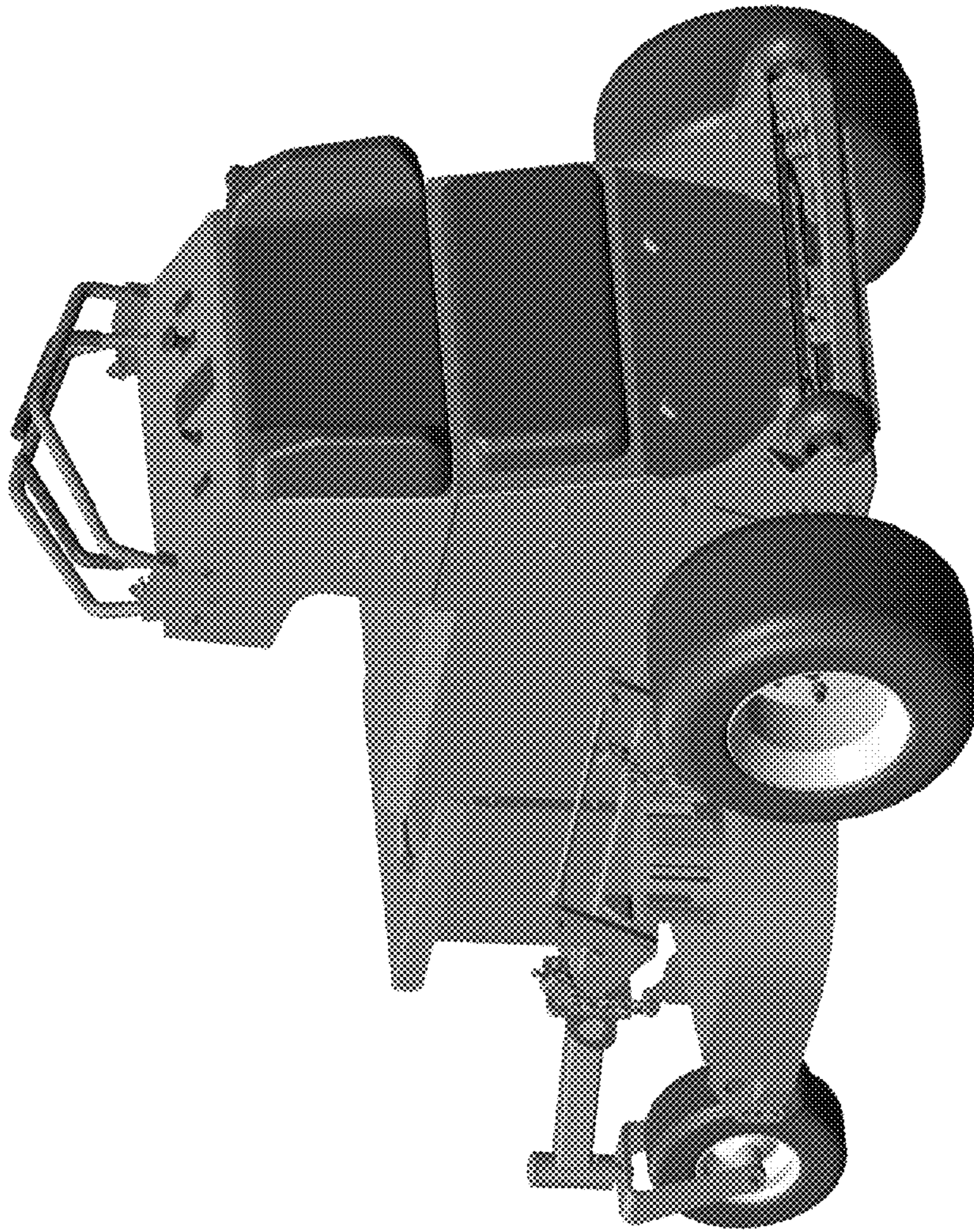


Fig. 4

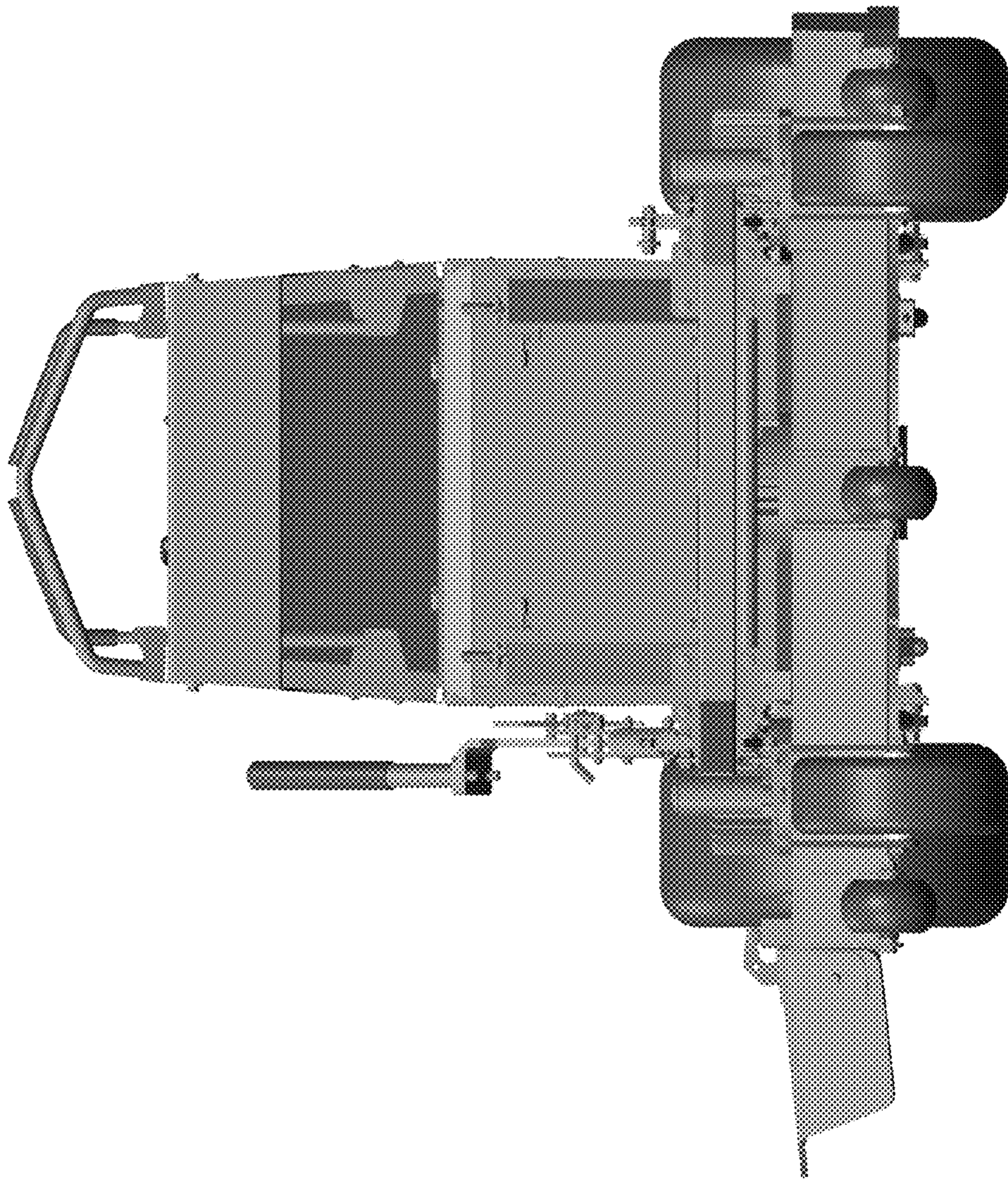


Fig. 5

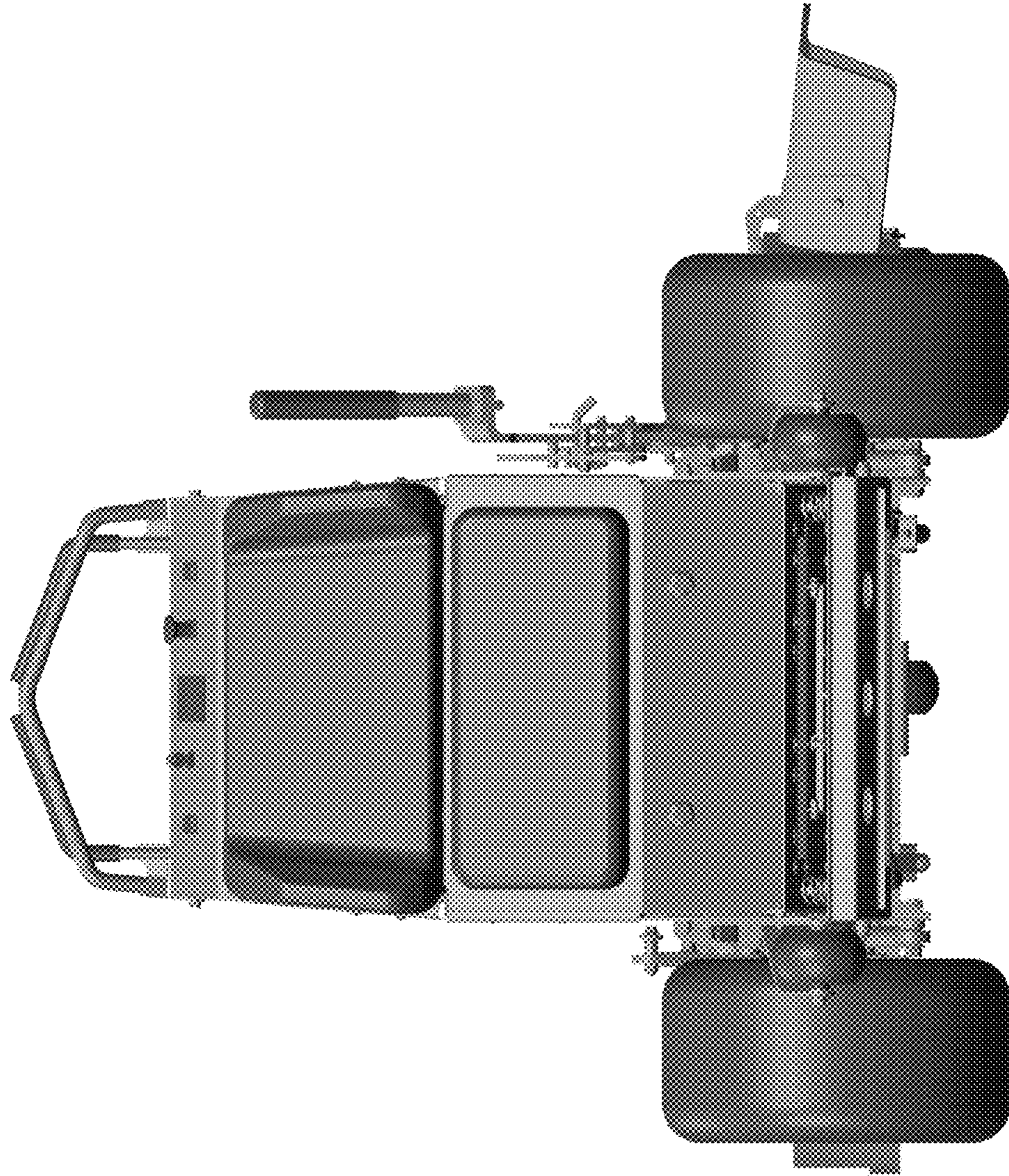


Fig. 6

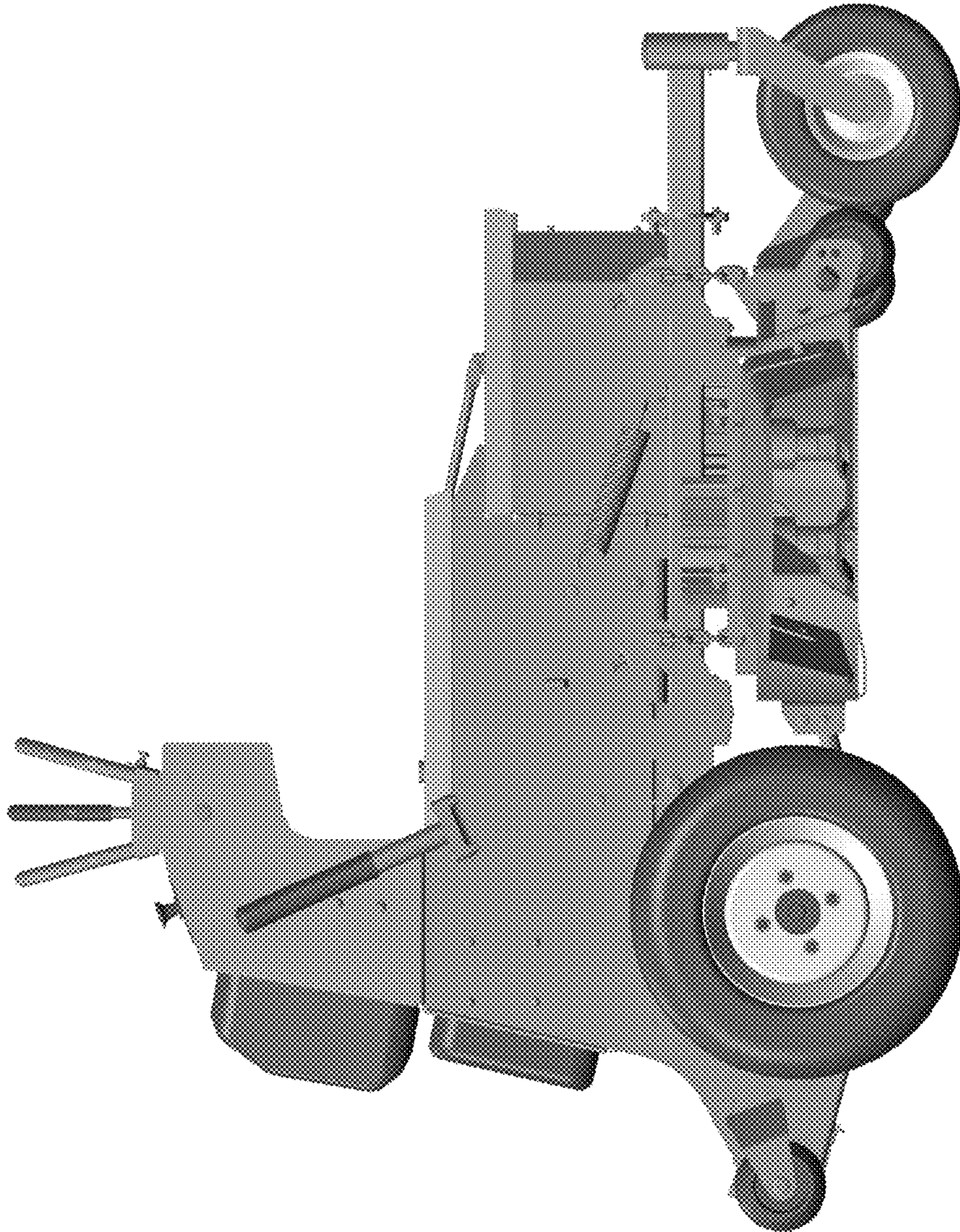


Fig. 7

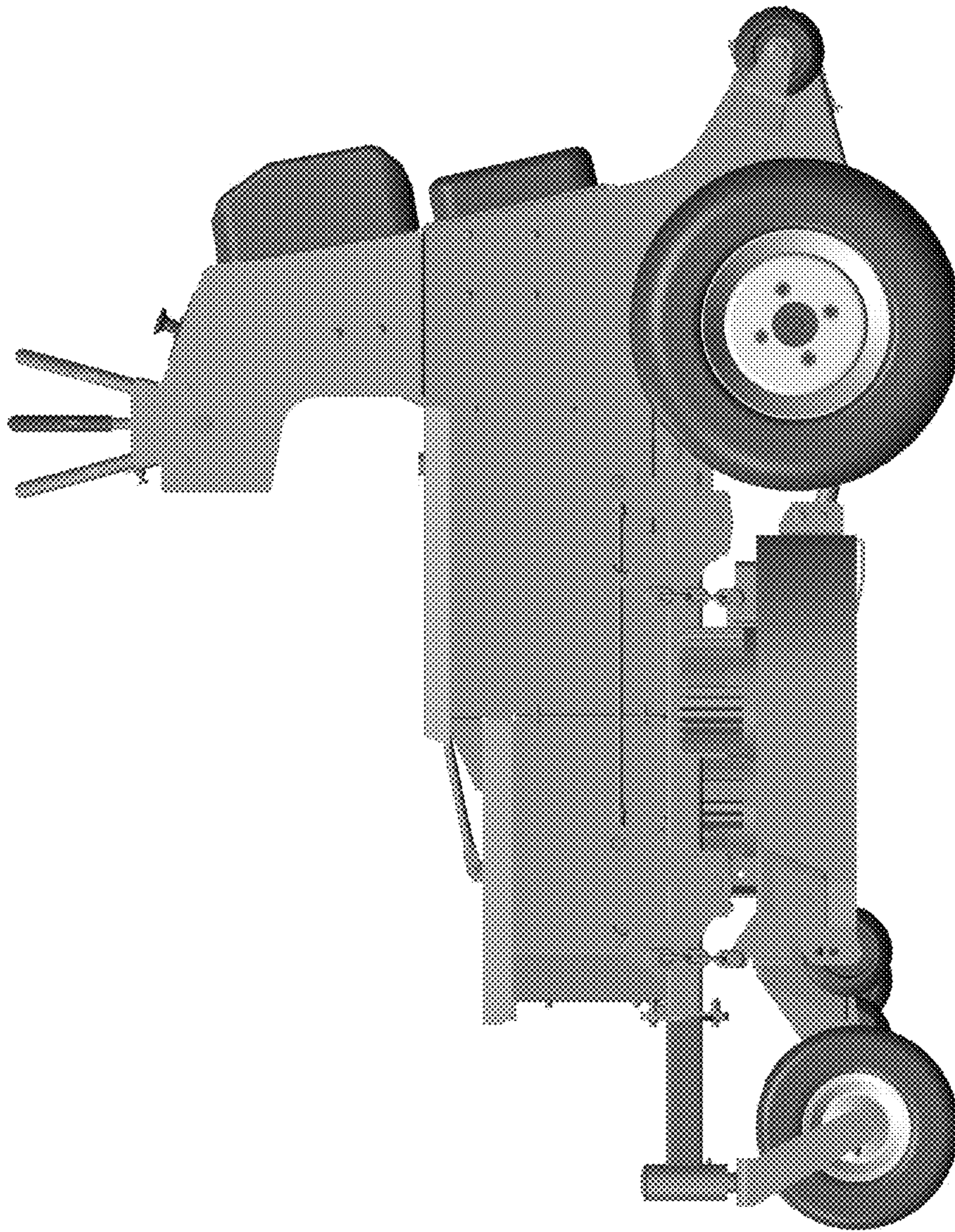


Fig. 8

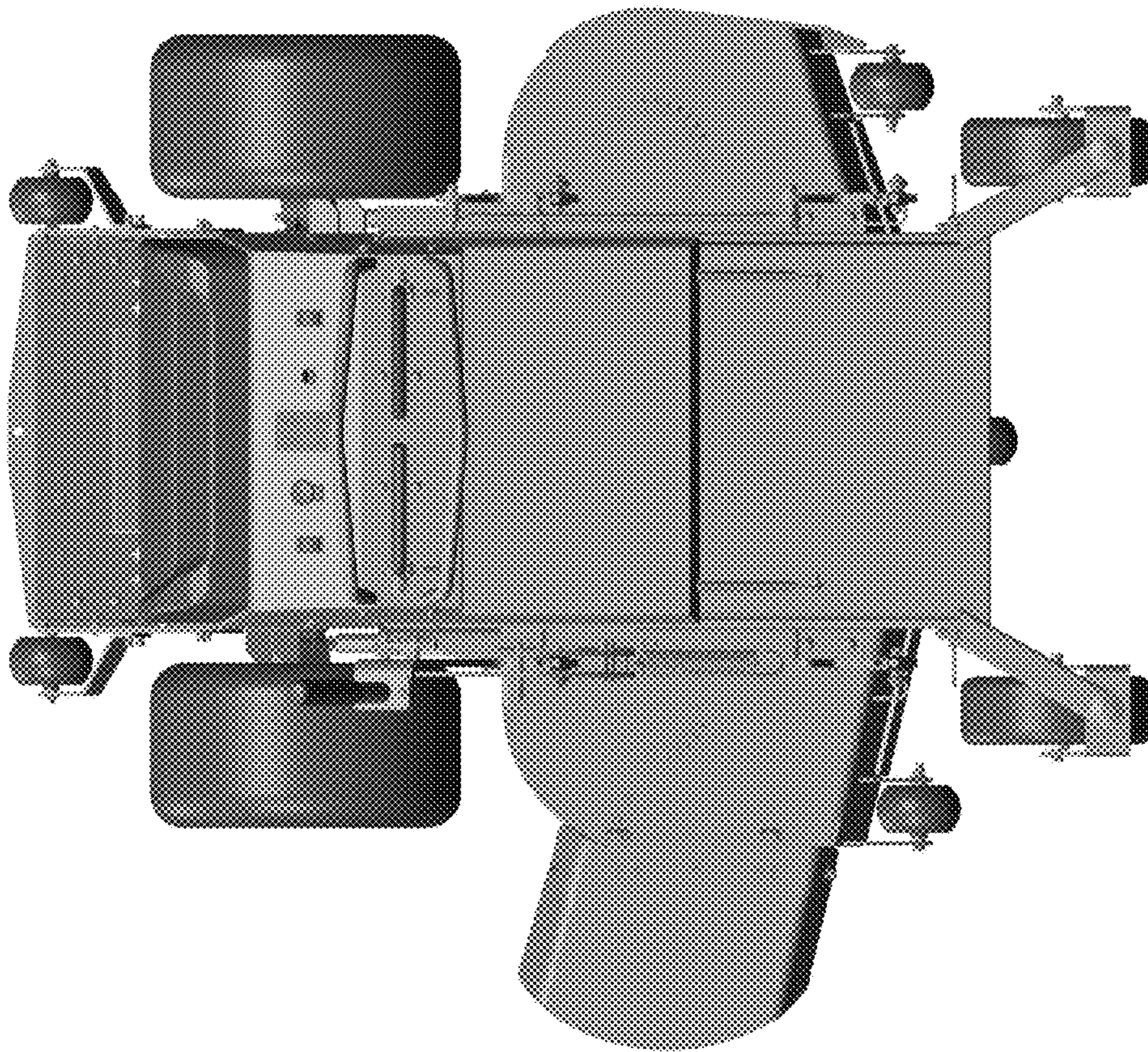


Fig. 9

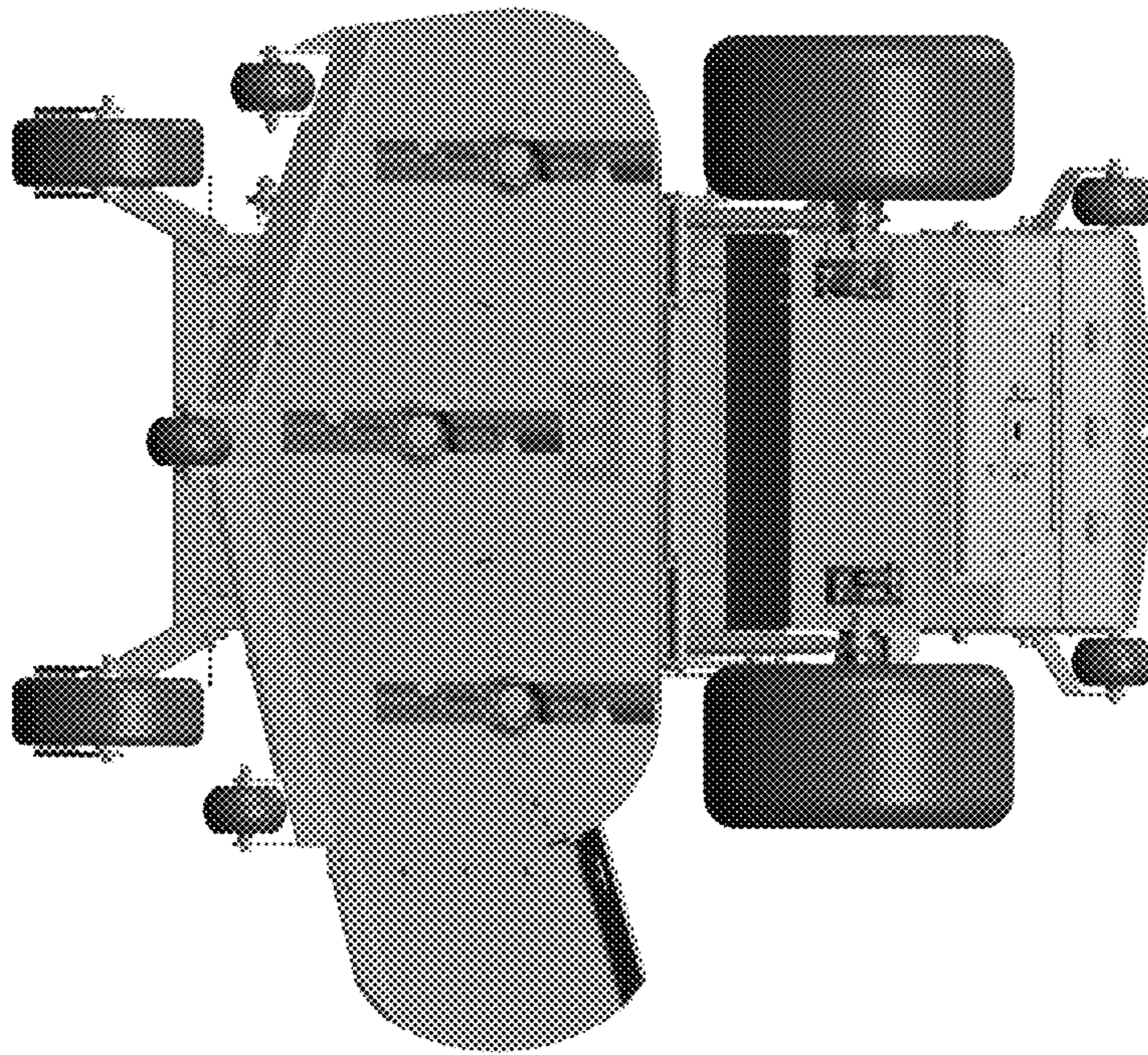


Fig. 10