



US00D789992S

(12) **United States Design Patent** (10) **Patent No.:** **US D789,992 S**
Dopke et al. (45) **Date of Patent:** **** *Jun. 20, 2017**

(54) **INTERNAL COMBUSTION ENGINE
CYLINDER HEAD**

D279,376 S 6/1985 Davidson
4,601,267 A 7/1986 Kronich
4,762,098 A 8/1988 Tamba et al.
4,905,636 A 3/1990 Kronich

(71) Applicant: **Champion Engine Technology, LLC,**
Sussex, WI (US)

(Continued)

(72) Inventors: **Russell J. Dopke,** Elkhart Lake, WI
(US); **James J. Dehn,** Brookfield, WA
(US)

OTHER PUBLICATIONS

Honda GXV630, GXV660, GXV690 Engine Assembly Informa-
tion, Honda Motor Co., Ltd., 2010.

(73) Assignee: **Champion Engine Technology, LLC,**
Sussex, WI (US)

Primary Examiner — T. Chase Nelson

Assistant Examiner — Ania Aman

(*) Notice: This patent is subject to a terminal dis-
claimer.

(74) *Attorney, Agent, or Firm* — Ziolkowski Patent
Solutions Group, SC

(**) Term: **15 Years**

(57) **CLAIM**

(21) Appl. No.: **29/557,141**

The ornamental design for an internal combustion engine
cylinder head, as shown and described.

(22) Filed: **Mar. 7, 2016**

Related U.S. Application Data

DESCRIPTION

(63) Continuation of application No. 29/490,098, filed on
May 6, 2014, now Pat. No. Des. 753,186.

(51) **LOC (10) Cl.** **15-01**

(52) **U.S. Cl.**

USPC **D15/5**

(58) **Field of Classification Search**

USPC D15/1-5; 123/193.5; D12/126

CPC F02F 1/24; F02F 2001/241; F02F 1/243;

F02F 2001/245; F02F 1/30; F02F

2001/244; F02F 2001/246; F02F

2001/247; F02F 2001/249; F02F 1/26;

F02F 1/305; F02F 1/32; F02F 1/34; F02F

1/36; F02F 1/365; F02F 1/38; F02F 1/40;

F02F 1/42

See application file for complete search history.

FIG. 1 is a left front perspective view of an internal
combustion engine cylinder head according to the present
invention.

FIG. 2 is a top plan view of the internal combustion engine
cylinder head of FIG. 1.

FIG. 3 is a left side view of the internal combustion engine
cylinder head of FIG. 1.

FIG. 4 is a front view of the internal combustion engine
cylinder head of FIG. 1.

FIG. 5 is a rear view of the internal combustion engine
cylinder head of FIG. 1.

FIG. 6 is a right side view of the internal combustion engine
cylinder head of FIG. 1; and,

FIG. 7 is a bottom view of the internal combustion engine
cylinder head of FIG. 1.

The broken lines in the drawing views are included for the
purpose of illustrating portions of the internal combustion
engine cylinder head that form no part of the claimed design.

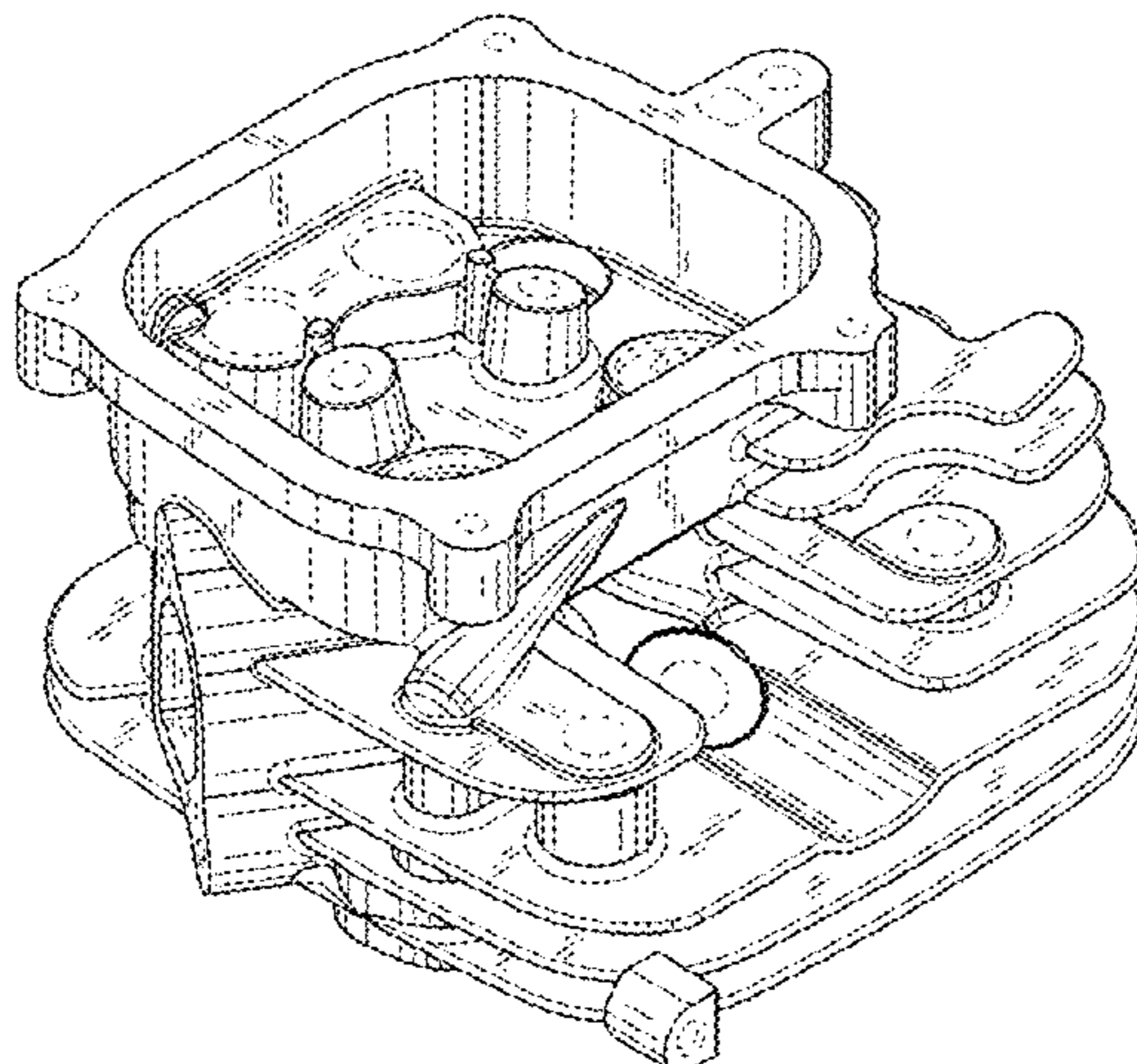
(56) **References Cited**

U.S. PATENT DOCUMENTS

2,700,377 A 1/1955 Chesnutt

4,159,011 A 6/1979 Sperry

1 Claim, 5 Drawing Sheets



(56)

References Cited

U.S. PATENT DOCUMENTS

5,058,542	A	10/1991	Grayson et al.	
5,404,856	A	4/1995	Servati	
5,421,292	A	6/1995	Hoffman et al.	
5,564,374	A	10/1996	Hoffman et al.	
5,598,820	A	2/1997	Sokoloski	
5,983,849	A	11/1999	Wangen et al.	
6,065,457	A	5/2000	Hoffmann et al.	
6,216,659	B1	4/2001	Takegami et al.	
6,276,326	B1	8/2001	Martinsson et al.	
6,296,071	B1	10/2001	Runte et al.	
D522,022	S	5/2006	Carlin et al.	
7,182,057	B2	2/2007	Sato	
7,246,610	B2	7/2007	Sjovall et al.	
7,461,643	B2*	12/2008	Reichardt F01M 13/0416 123/572
D608,372	S	1/2010	Brace et al.	
7,938,099	B2	5/2011	Abe et al.	
8,011,333	B2	9/2011	Burgess et al.	
8,402,937	B2	3/2013	Mamy et al.	
8,539,929	B2	9/2013	Dees et al.	
2003/0168040	A1	9/2003	Takamiya et al.	
2005/0045137	A1	3/2005	Schweiger	
2005/0178371	A1	8/2005	Sjovall et al.	
2008/0127916	A1	6/2008	Burgess et al.	
2009/0095261	A1	4/2009	Kono et al.	
2010/0193276	A1	8/2010	Mueller	
2011/0114044	A1	5/2011	Dees et al.	
2012/0255515	A1	10/2012	Xie et al.	
2013/0014721	A1	1/2013	Trease	
2013/0133597	A1	5/2013	Shimazaki et al.	
2014/0216369	A1	8/2014	Liu et al.	
2015/0322843	A1	11/2015	Sotiriades et al.	
2015/0322882	A1	11/2015	Dopke et al.	
2015/0322883	A1	11/2015	Dopke et al.	

* cited by examiner

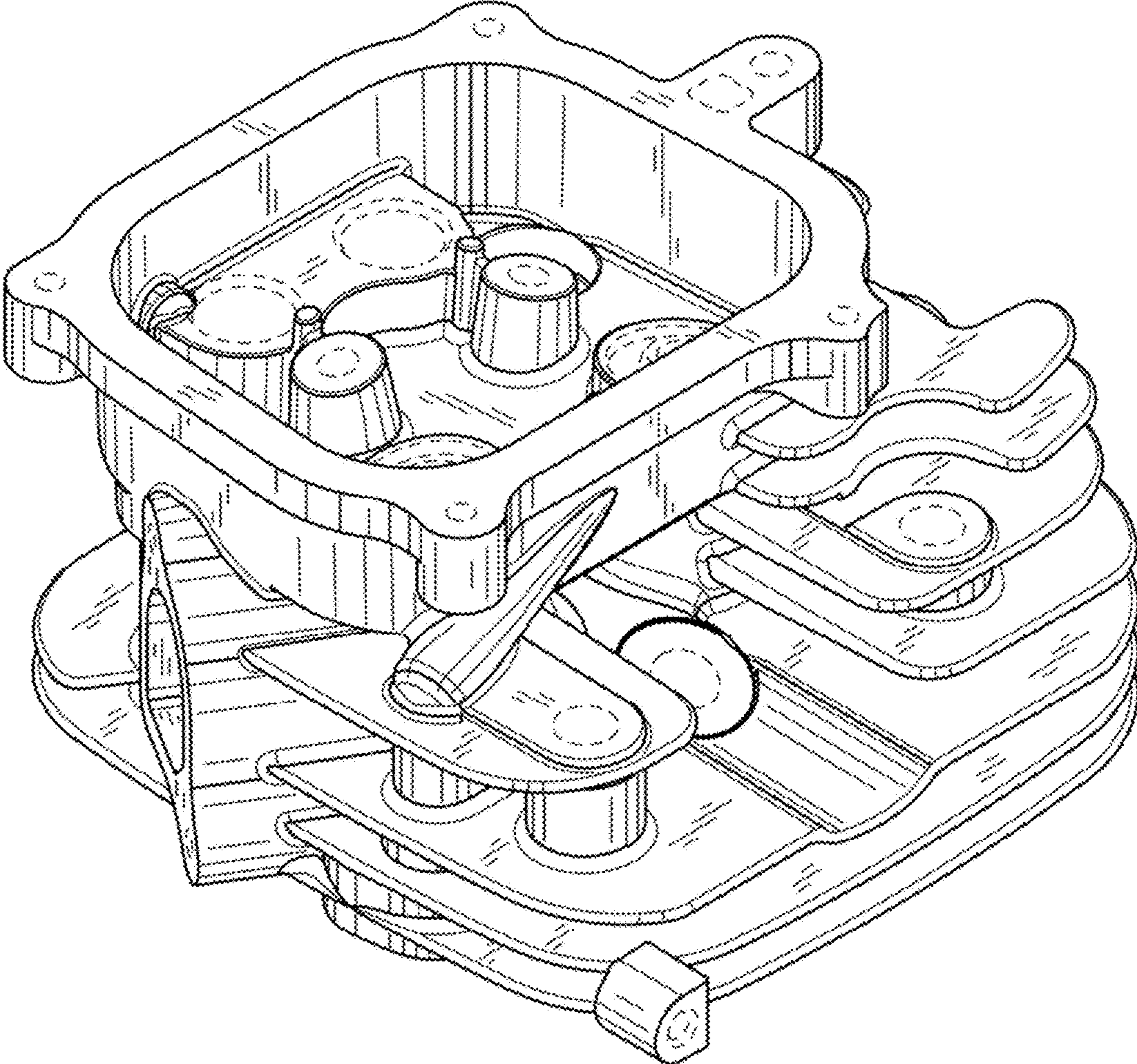


FIG. 1

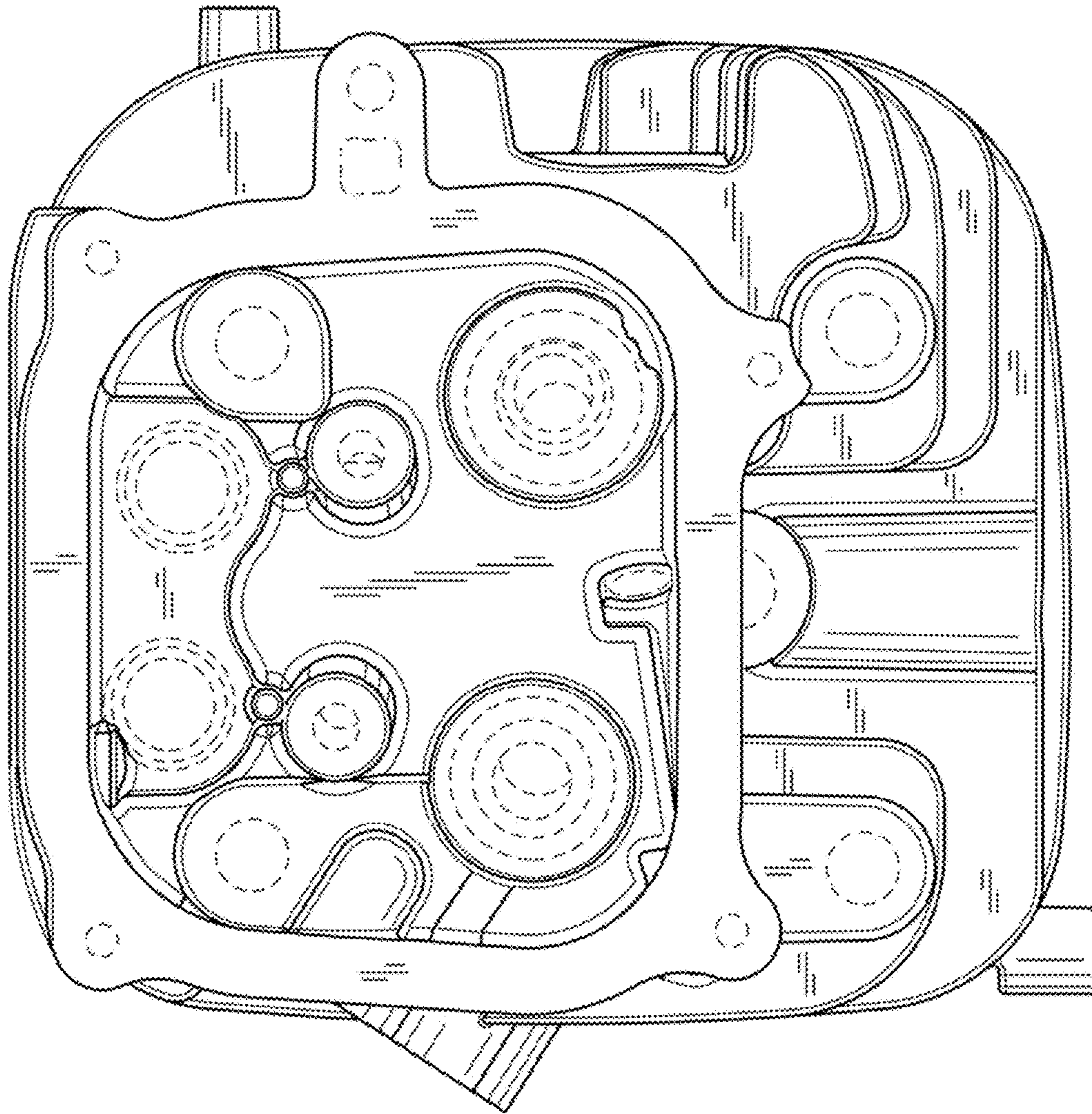


FIG. 2

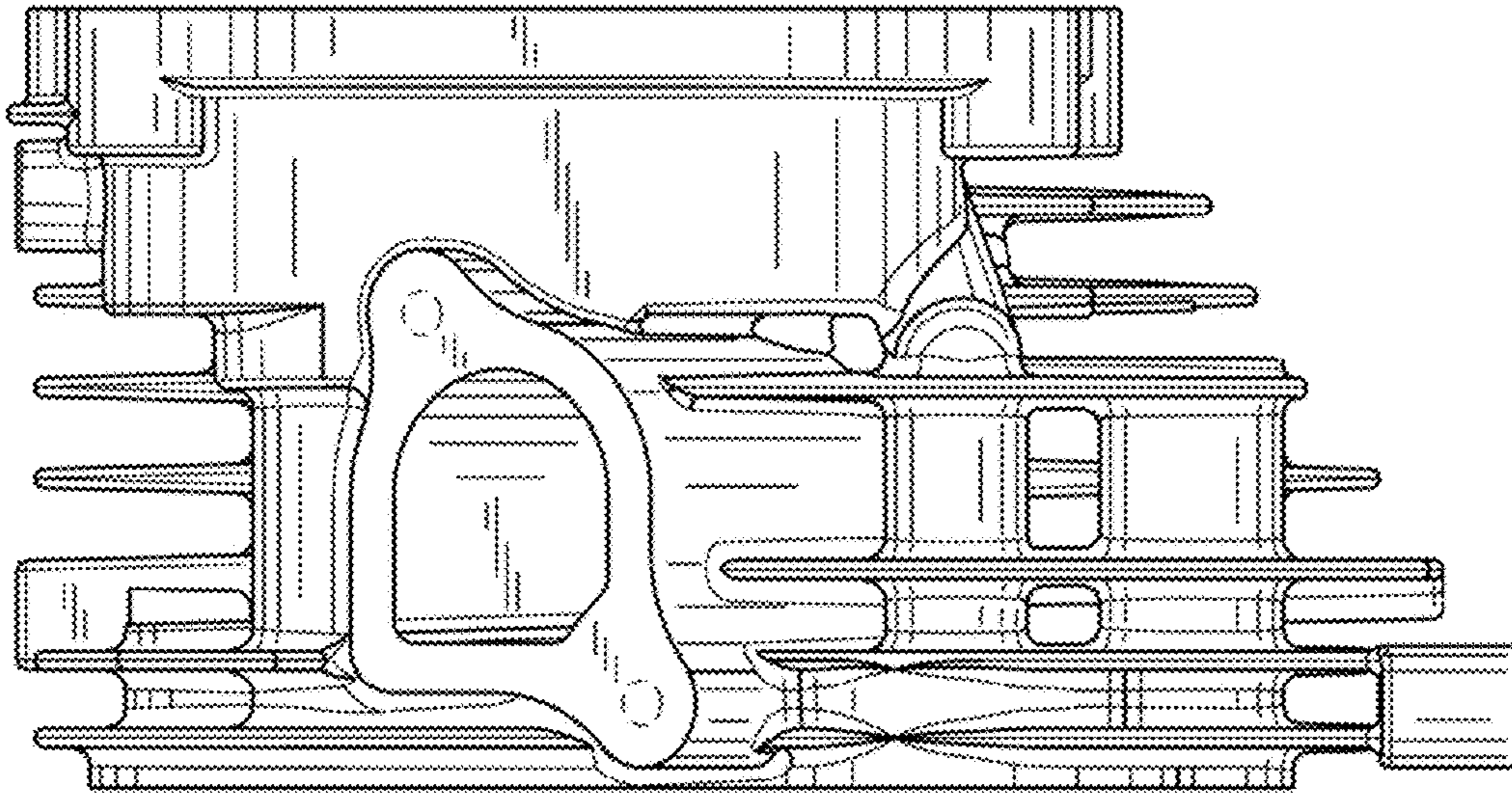


FIG. 3

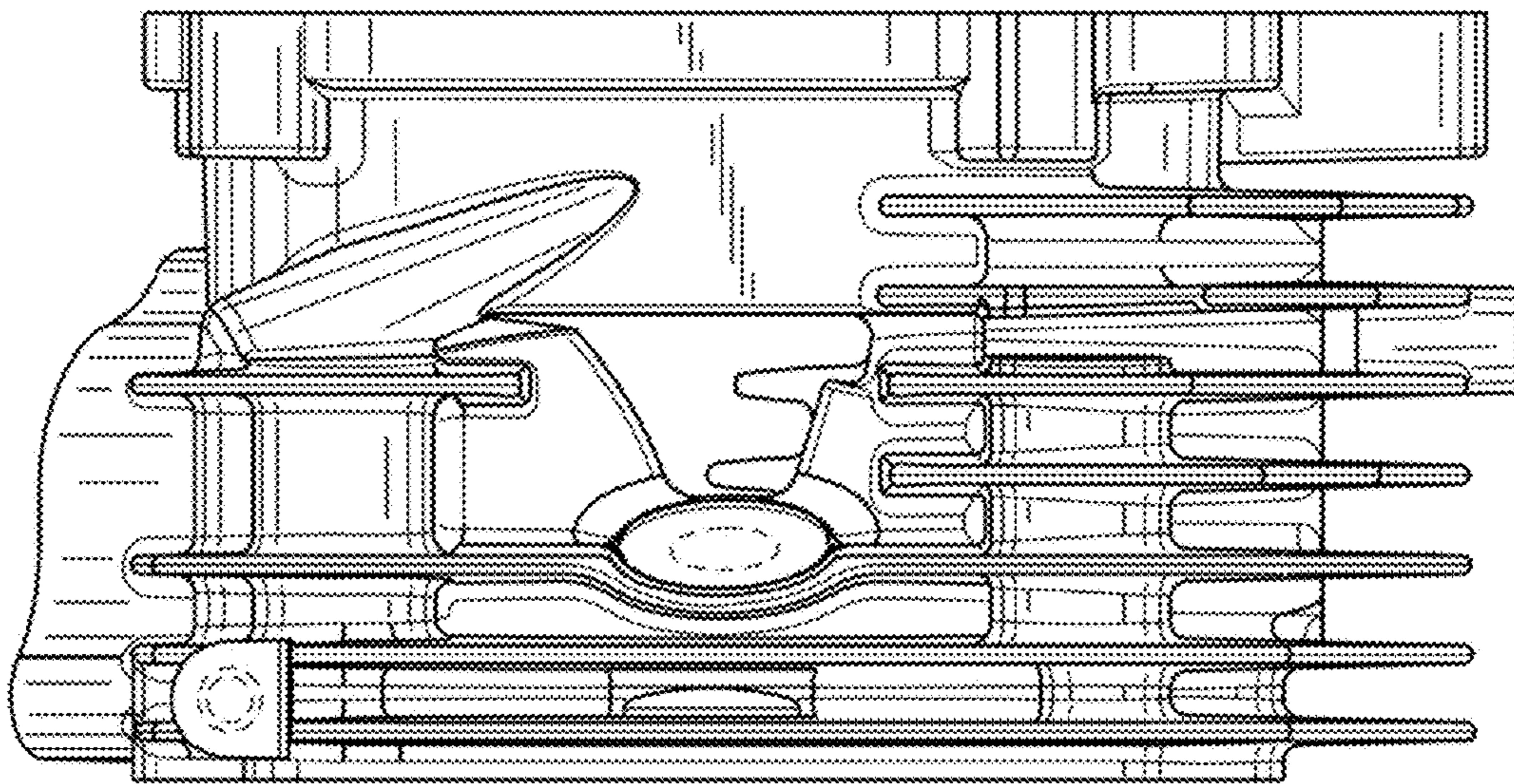


FIG. 4

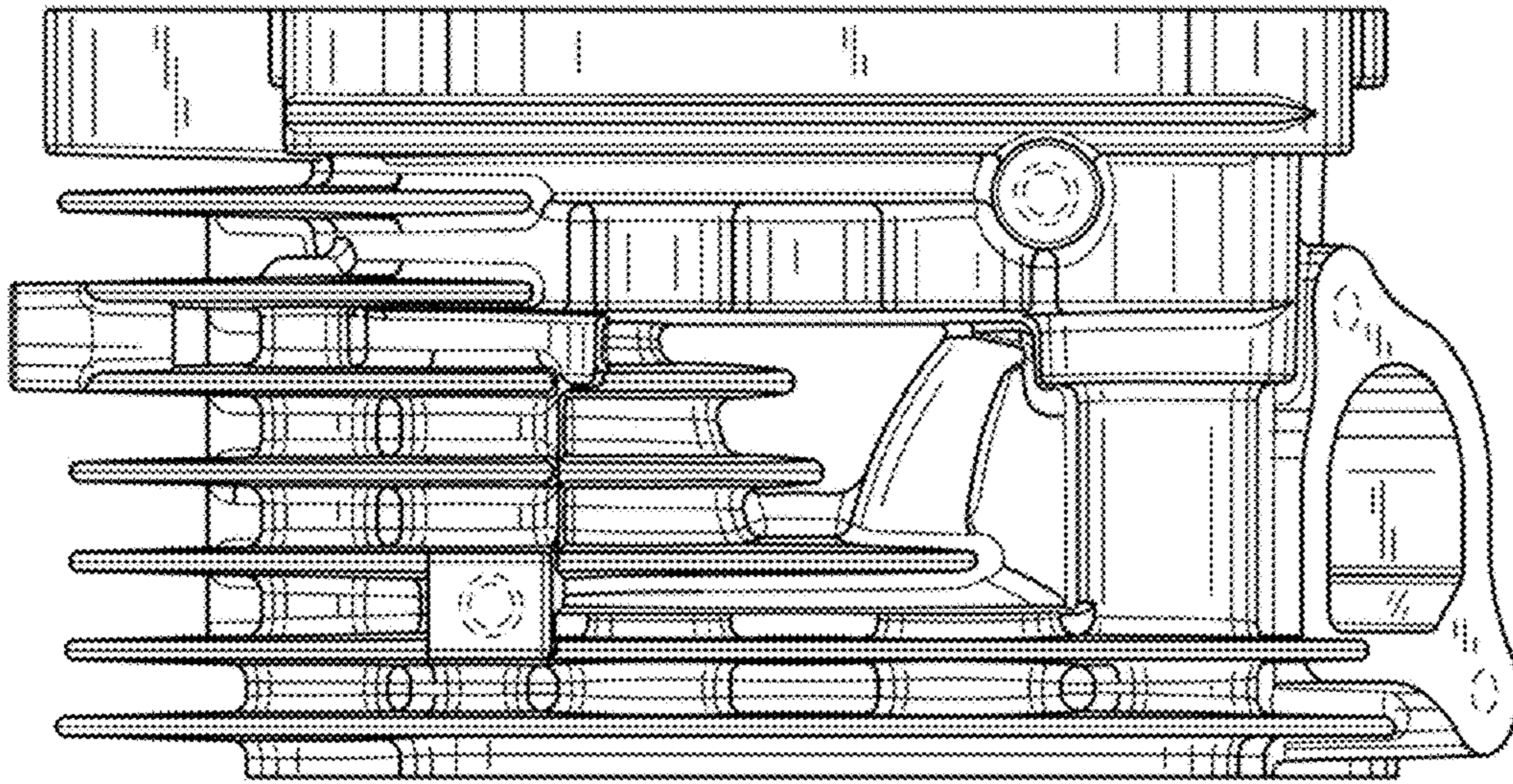


FIG. 5

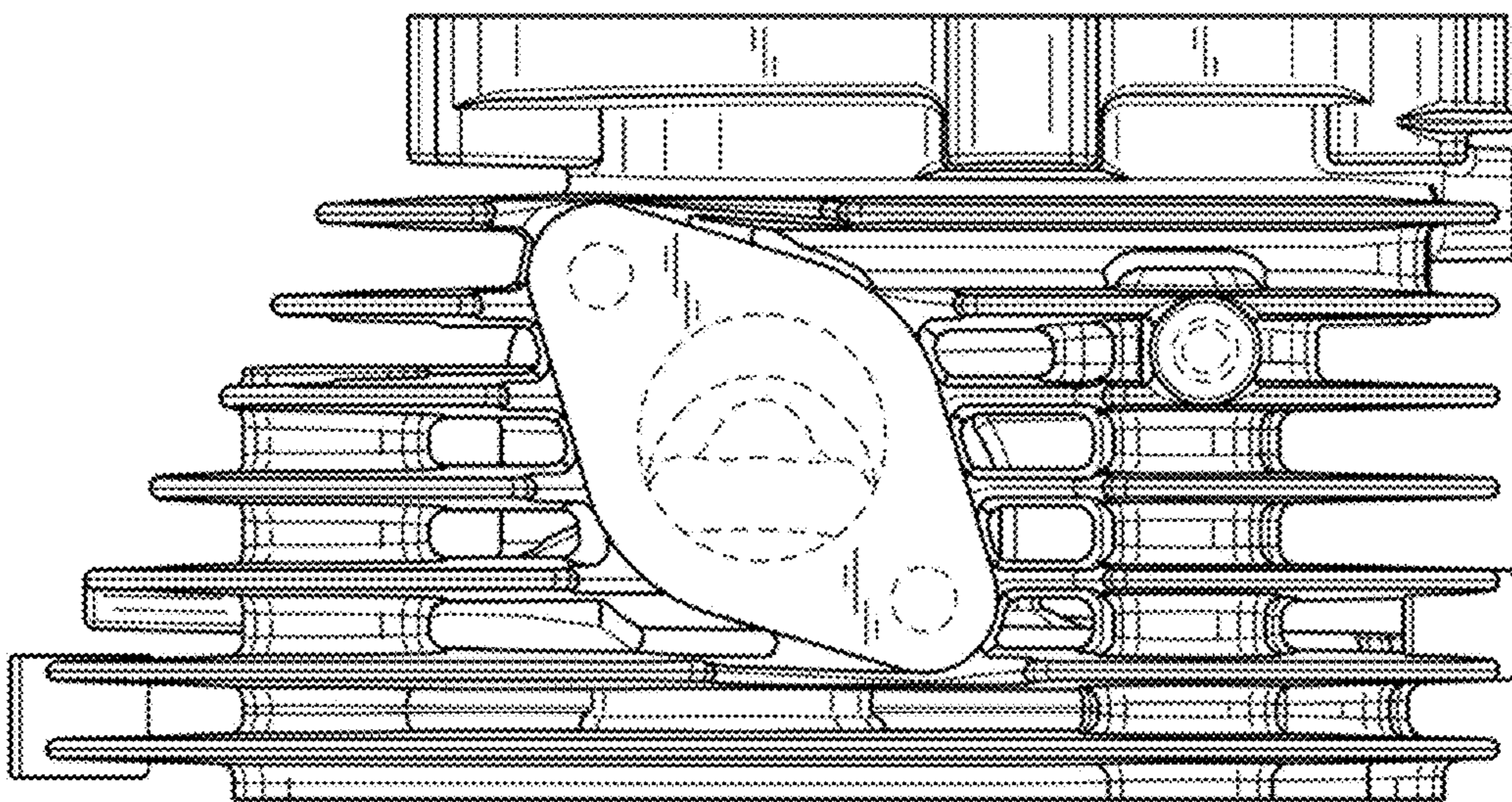


FIG. 6

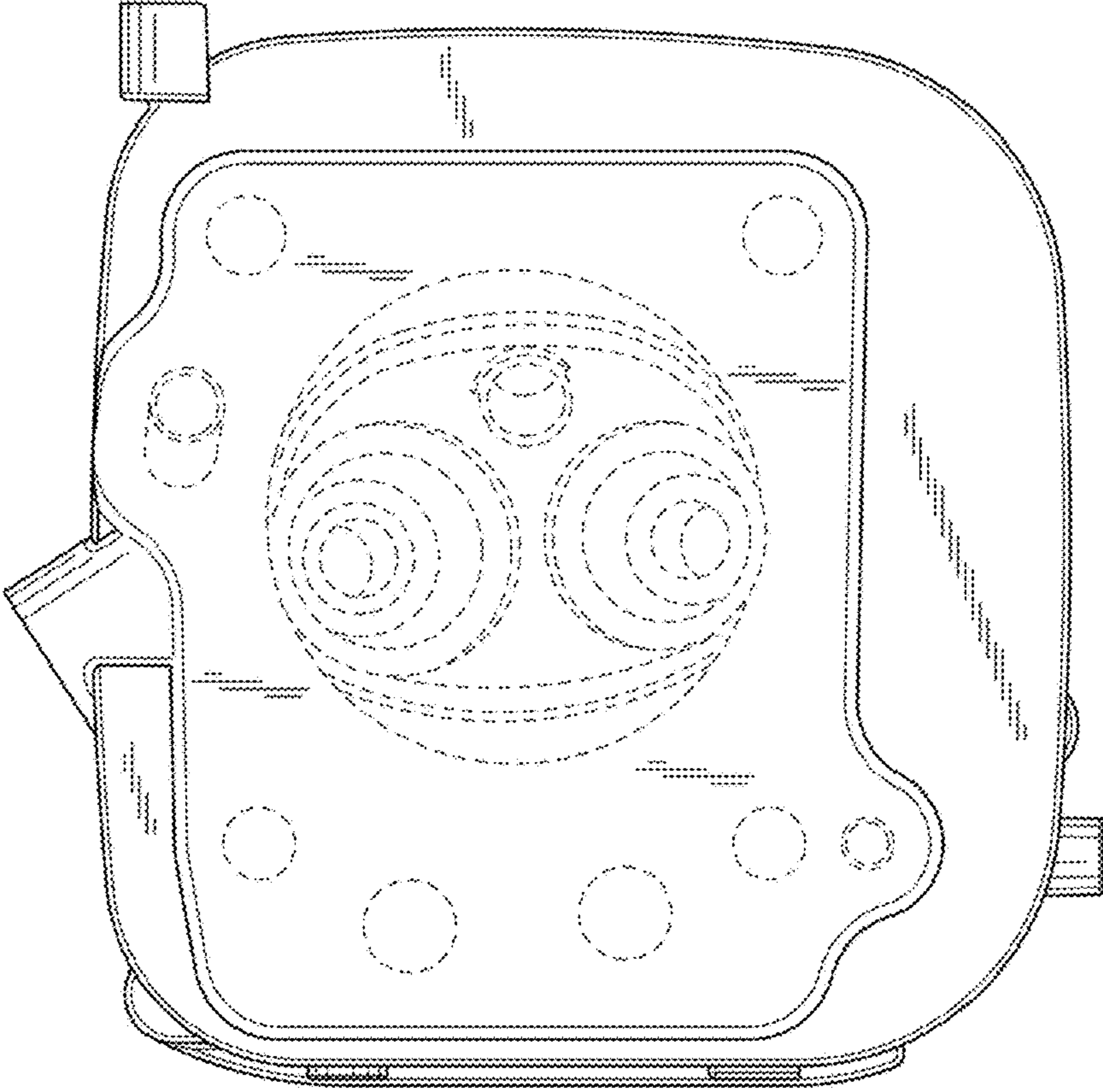


FIG. 7

UNITED STATES PATENT AND TRADEMARK OFFICE
CERTIFICATE OF CORRECTION

PATENT NO. : D789,992 S
APPLICATION NO. : 29/557141
DATED : June 20, 2017
INVENTOR(S) : Dopke et al.

Page 1 of 1

It is certified that error appears in the above-identified patent and that said Letters Patent is hereby corrected as shown below:

On the Title Page

Item (72) Inventors: delete "Brookfield, WA (US)" and substitute therefore -- Brookfield, WI (US) --.

Signed and Sealed this
Fifteenth Day of August, 2017



Joseph Matal
*Performing the Functions and Duties of the
Under Secretary of Commerce for Intellectual Property and
Director of the United States Patent and Trademark Office*