



US00D789991S

(12) **United States Design Patent**  
**Bird et al.**

(10) **Patent No.:** **US D789,991 S**  
(45) **Date of Patent:** **\*\* Jun. 20, 2017**

(54) **PLAYBACK DEVICE**

(71) Applicant: **Sonos, Inc.**, Santa Barbara, CA (US)

(72) Inventors: **Roland Bird**, Eindhoven (NL); **Niels van Hoof**, Eindhoven (NL); **Roger Swales**, Eindhoven (NL); **Mieko Kusano**, Santa Barbara, CA (US); **Tadeo T. Toulis**, Santa Barbara, CA (US); **Maximillian Burton**, Santa Barbara, CA (US); **Stefan Reichert**, Santa Barbara, CA (US)

(73) Assignee: **Sonos, Inc.**, Santa Barbara, CA (US)

(\*\*) Term: **14 Years**

(21) Appl. No.: **29/499,305**

(22) Filed: **Aug. 13, 2014**

(51) **LOC (10) Cl.** ..... **14-03**

(52) **U.S. Cl.**  
USPC ..... **D14/496; D14/511; D14/203.3; D21/333**

(58) **Field of Classification Search**  
USPC ..... **D21/324-333; D14/496, 203.1-230.8, D14/356, 432, 434, 511, 137, 188, 160,**  
(Continued)

(56) **References Cited**

**U.S. PATENT DOCUMENTS**

1,119,839 A \* 12/1914 Kuhn ..... H01R 13/447  
439/135  
D455,755 S \* 4/2002 Levine ..... D14/447  
(Continued)

**OTHER PUBLICATIONS**

Trademark "SONOS" <http://tmsearch.uspto.gov/bin/gate.exe?f=doc&state=4808:g5tpr6.3.22>, available as early as Jan. 27, 2005, retrieved on Apr. 11, 2016.\*

(Continued)

*Primary Examiner* — Prabhakar Deshmukh  
(74) *Attorney, Agent, or Firm* — KPPB LLP

(57) **CLAIM**

The ornamental design of a playback device, as shown and described.

**DESCRIPTION**

A portion of the disclosure of this patent document contains or may contain material which is subject to copyright protection by Sonos, Inc. The copyright owner has no objection to the photocopy reproduction by anyone of the patent document for the patent disclosure in exactly the form it appears in the USPTO patent file or records, but otherwise reserves all copyright rights whatsoever.

FIG. 1 is an enlarged perspective view of a playback device showing our new design, shown without environment.

FIG. 2 is a front elevational view thereof, shown in an environmental use.

FIG. 3 is a front elevational view thereof, shown in another environmental use.

FIG. 4 is a front elevational view thereof, shown in another environmental use.

FIG. 5 is a perspective view thereof, shown in further another environmental use.

FIG. 6 is a front elevational view thereof, shown in another environmental use.

FIG. 7 is a perspective view thereof, shown in still another environmental use.

FIG. 8 is a perspective view thereof, shown in further environmental use.

FIG. 9 is a top plan view of FIG. 8.

FIG. 10 is a perspective view thereof, shown in another additional environmental use.

FIG. 11 is an enlarged perspective view of a second embodiment of a playback device, shown without environment.

FIG. 12 is a perspective view thereof, shown in an environmental use.

FIG. 13 is a perspective view thereof, shown in another environmental use.

FIG. 14 is a perspective view thereof, shown in another environmental use.

(Continued)

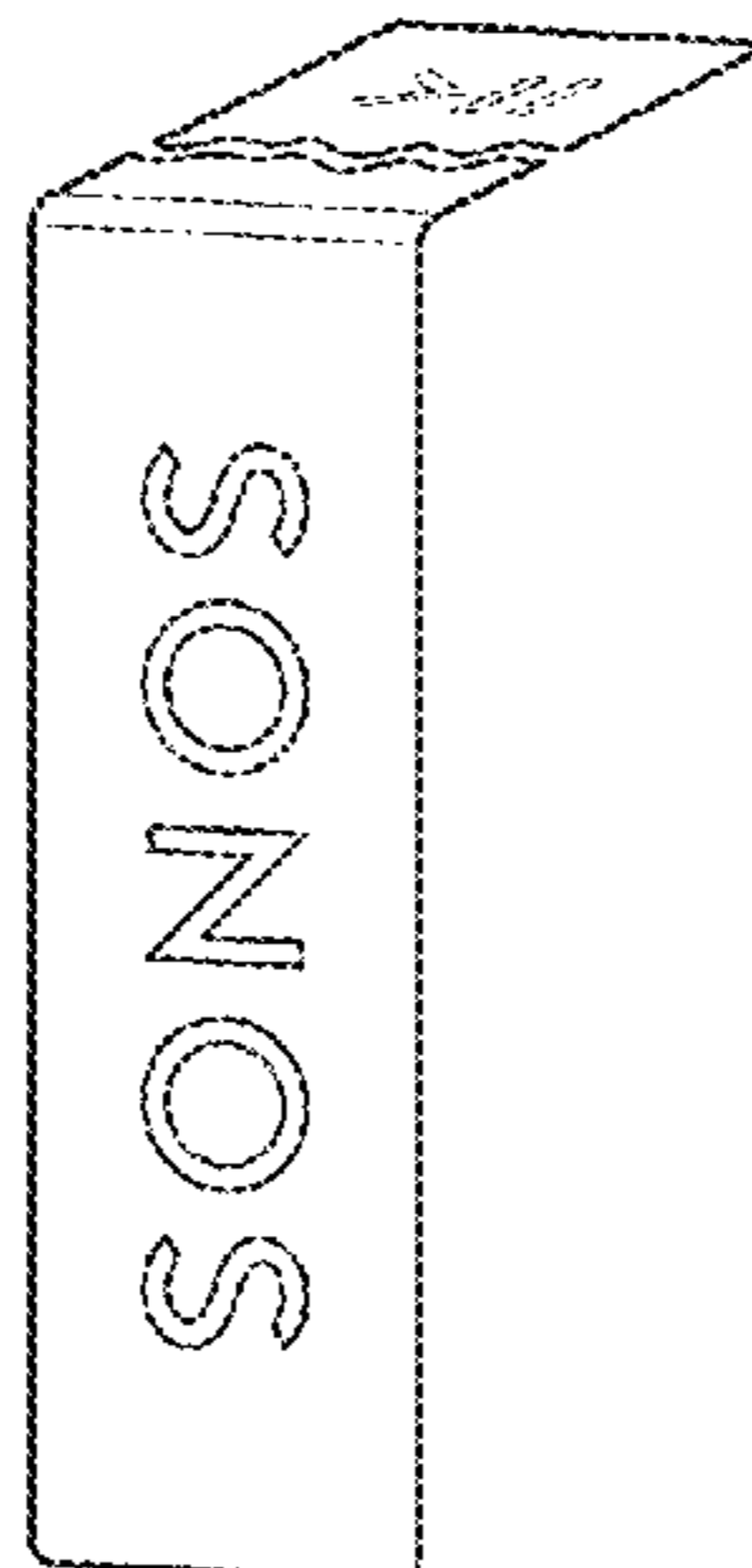


FIG. 15 is a top plan view of FIG. 14.  
 FIG. 16 is a perspective view thereof, shown in another environmental use.  
 FIG. 17 is a top plan view thereof, shown in another environmental use.  
 FIG. 18 is an enlarged perspective view of a third embodiment of a playback device, shown without environment.  
 FIG. 19 is a front elevational view thereof, shown in an environmental use.  
 FIG. 20 is a front elevational view thereof, shown in another environmental use.  
 FIG. 21 is a front elevational view thereof, shown in another environmental use.  
 FIG. 22 is a perspective view of FIG. 21.  
 FIG. 23 is a front elevational view thereof, shown in another environmental use.  
 FIG. 24 is a perspective view of FIG. 23.  
 FIG. 25 is a perspective view thereof, shown in another environmental use.  
 FIG. 26 is a top plan view of FIG. 25.  
 FIG. 27 is a perspective view thereof, shown in another environmental use.  
 FIG. 28 is a front elevational view of FIG. 27.  
 FIG. 29 is an enlarged perspective view of a fourth embodiment of a playback device, shown without environment.  
 FIG. 30 is a front elevational view thereof, shown in an environmental use.  
 FIG. 31 is a perspective view of FIG. 30.  
 FIG. 32 is an enlarged perspective view of a fifth embodiment of a playback device, shown without environment.  
 FIG. 33 is a front elevational view thereof, shown in an environmental use.  
 FIG. 34 is a perspective view of FIG. 33.  
 FIG. 35 is a perspective view thereof, shown in another environmental use.  
 FIG. 36 is a top plan view of FIG. 35.  
 FIG. 37 is an enlarged perspective view of a sixth embodiment of a playback device, shown without environment.  
 FIG. 38 is a front plan view thereof, shown in an environmental use.  
 FIG. 39 is a perspective view of FIG. 38.  
 FIG. 40 is a front plan view thereof, shown in another environmental use.  
 FIG. 41 is a perspective view of FIG. 40.  
 FIG. 42 is an enlarged perspective view of a surface ornamentation for use with a playback device in accordance with a seventh embodiment of the invention, shown without environment.

FIG. 43 is an enlarged perspective view of a seventh embodiment of a playback device, shown without environment.  
 FIG. 44 is an enlarged perspective view of a eighth embodiment of a playback device, shown without environment; and,  
 FIG. 45 is an enlarged perspective view of a ninth embodiment of a playback device, shown without environment.  
 The broken lines indicate environment and form no part of the claimed design.

**1 Claim, 31 Drawing Sheets**

(58) **Field of Classification Search**

USPC ..... D14/217, 490; D20/15, 22–28, 99;  
 220/640–644, 655; 273/148 B; 463/1,  
 463/29–47; 345/156  
 CPC .... A63F 9/00; A63F 9/24; A63F 13/00; A63F  
 13/02; A63F 13/08; A63F 13/25  
 See application file for complete search history.

(56) **References Cited**

U.S. PATENT DOCUMENTS

D560,685	S *	1/2008	Lopez	.....	D14/168
D687,010	S *	7/2013	McManigal	.....	D14/188
D719,976	S *	12/2014	Bang	.....	D14/203.1
D721,061	S *	1/2015	Burlingame	.....	D14/216
D726,223	S *	4/2015	Guerrero	.....	D14/496
9,143,861	B2 *	9/2015	Schul	.....	H04R 5/00
D742,382	S *	11/2015	Shao	.....	D14/432
9,195,432	B2 *	11/2015	Reilly	.....	G06F 3/165
D746,795	S *	1/2016	Burlingame	.....	D14/218
9,232,288	B2 *	1/2016	Lien	.....	A63H 33/38
9,307,307	B2 *	4/2016	Florczak	.....	H04R 1/02

OTHER PUBLICATIONS

Printed Sealing Tape on Box, [http://www.tritechforensics.com/uploaded\\_files/images/products/b\\_4129466984cdd169b2fff1515](http://www.tritechforensics.com/uploaded_files/images/products/b_4129466984cdd169b2fff1515).  
 3541962, available early 2000, retrieved on Apr. 28, 2016.\*  
 Japanese Patent Office, “Office Action,” issued in connection with Application No. 2015-002929, Jun. 2, 2015, 3 pages.

\* cited by examiner

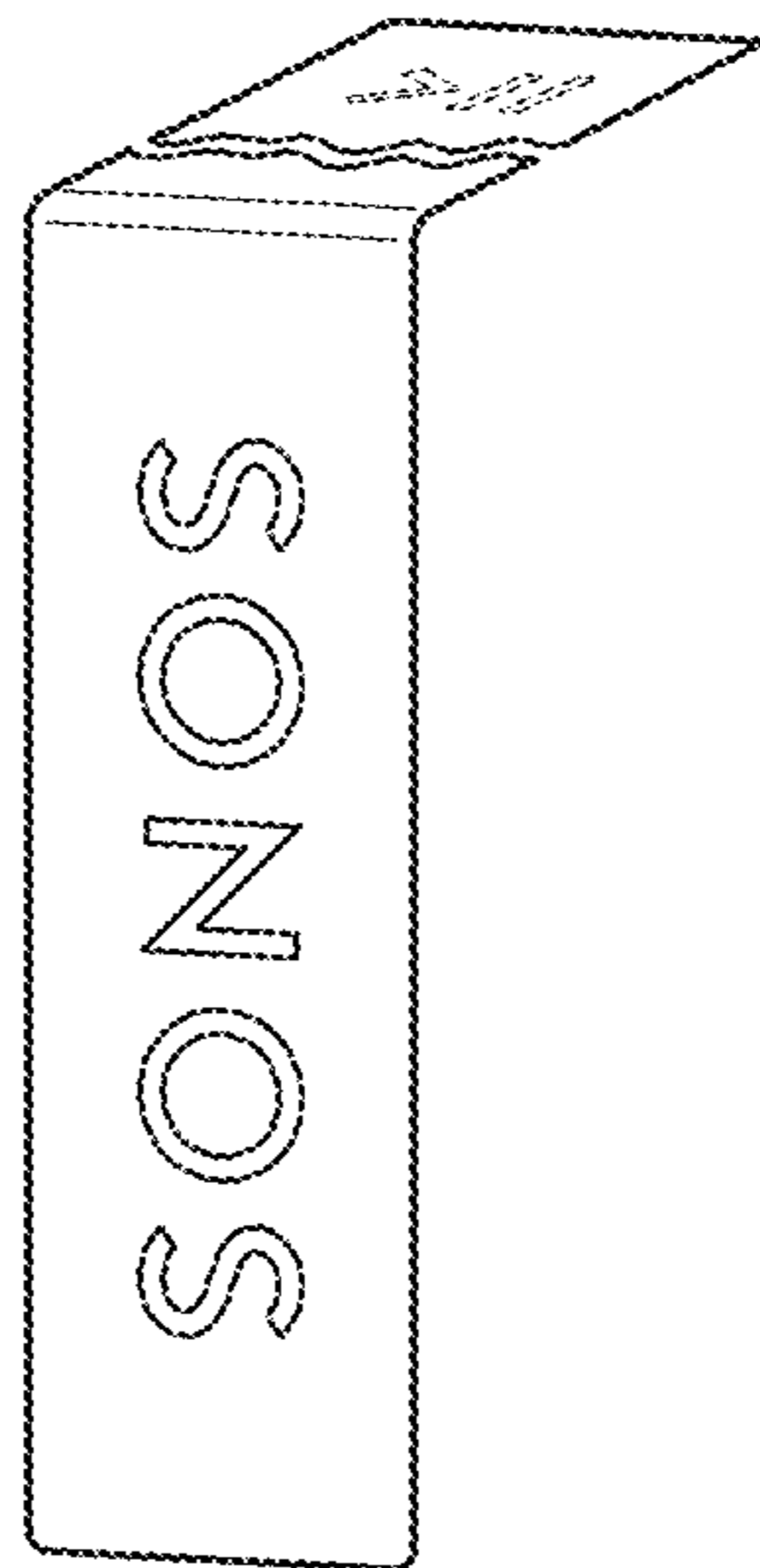


FIG. 1

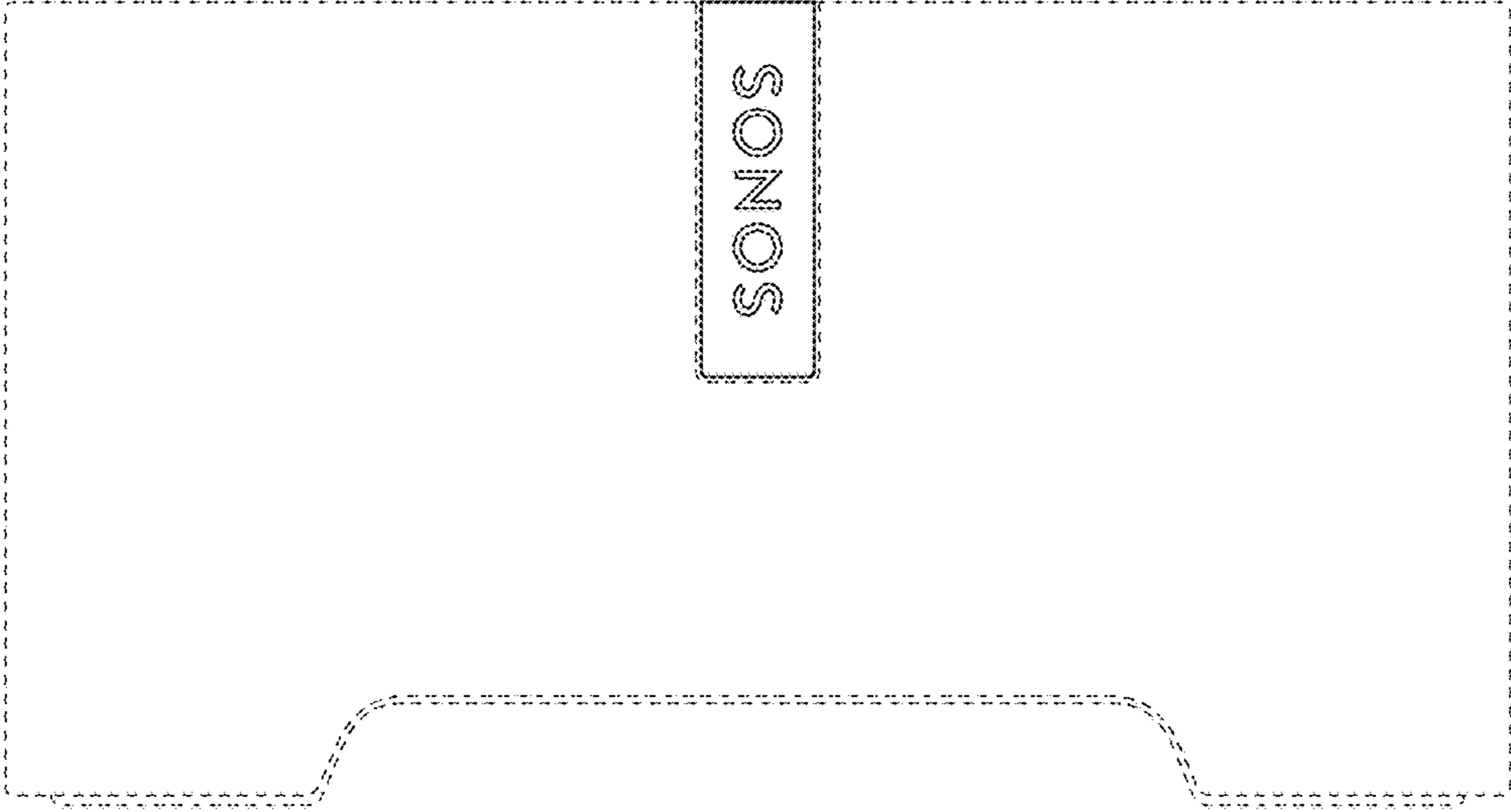


FIG. 2

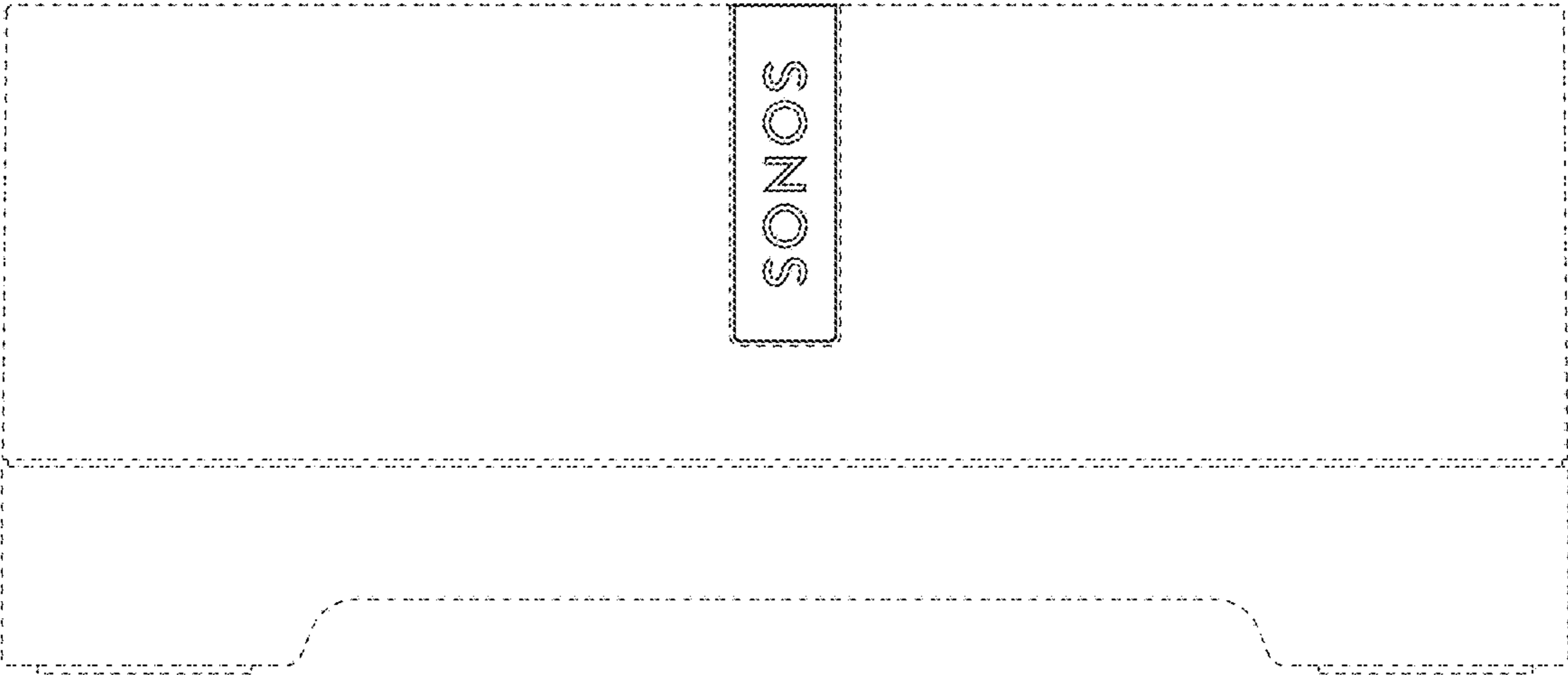


FIG. 3

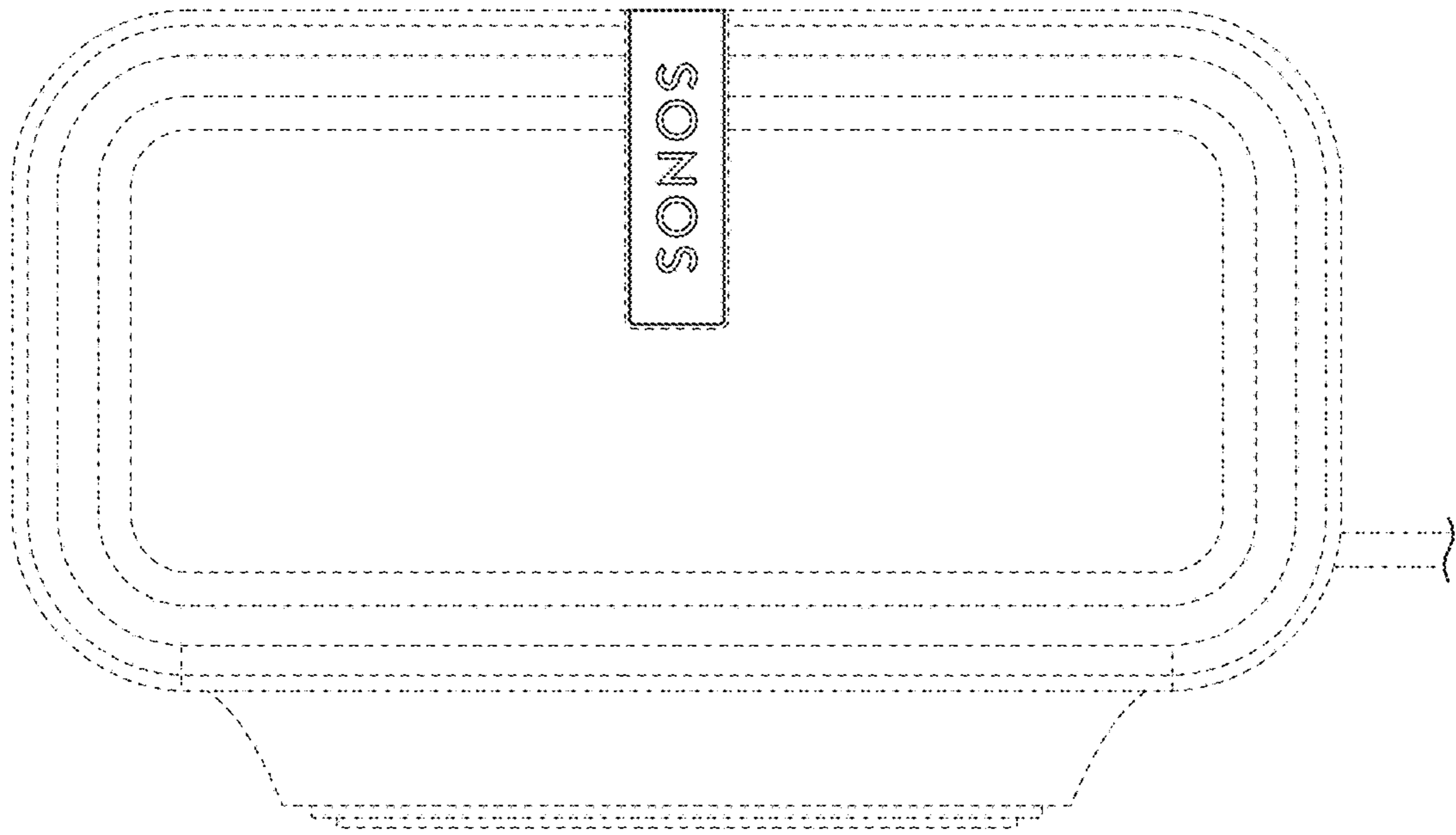


FIG. 4

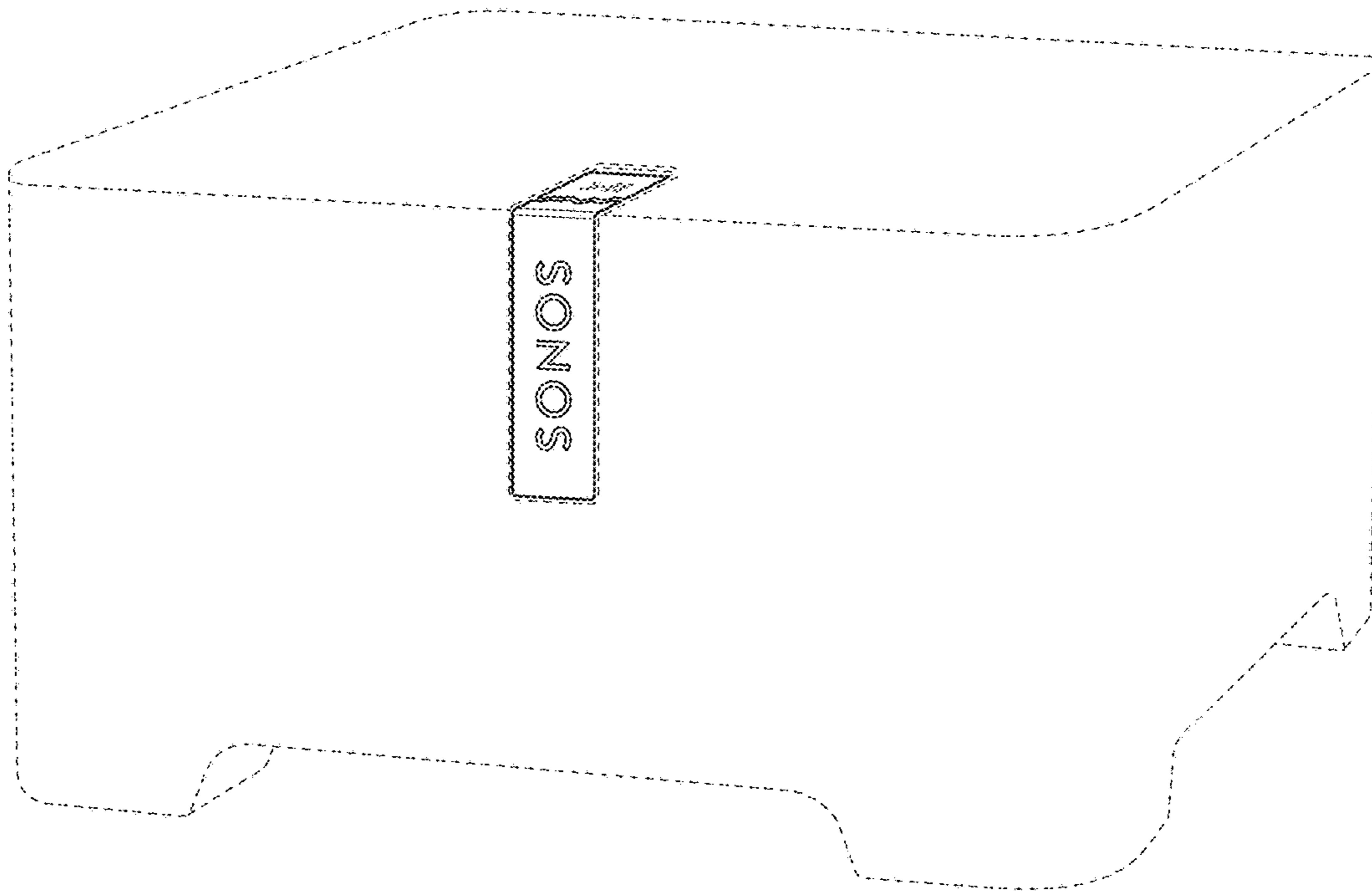


FIG. 5

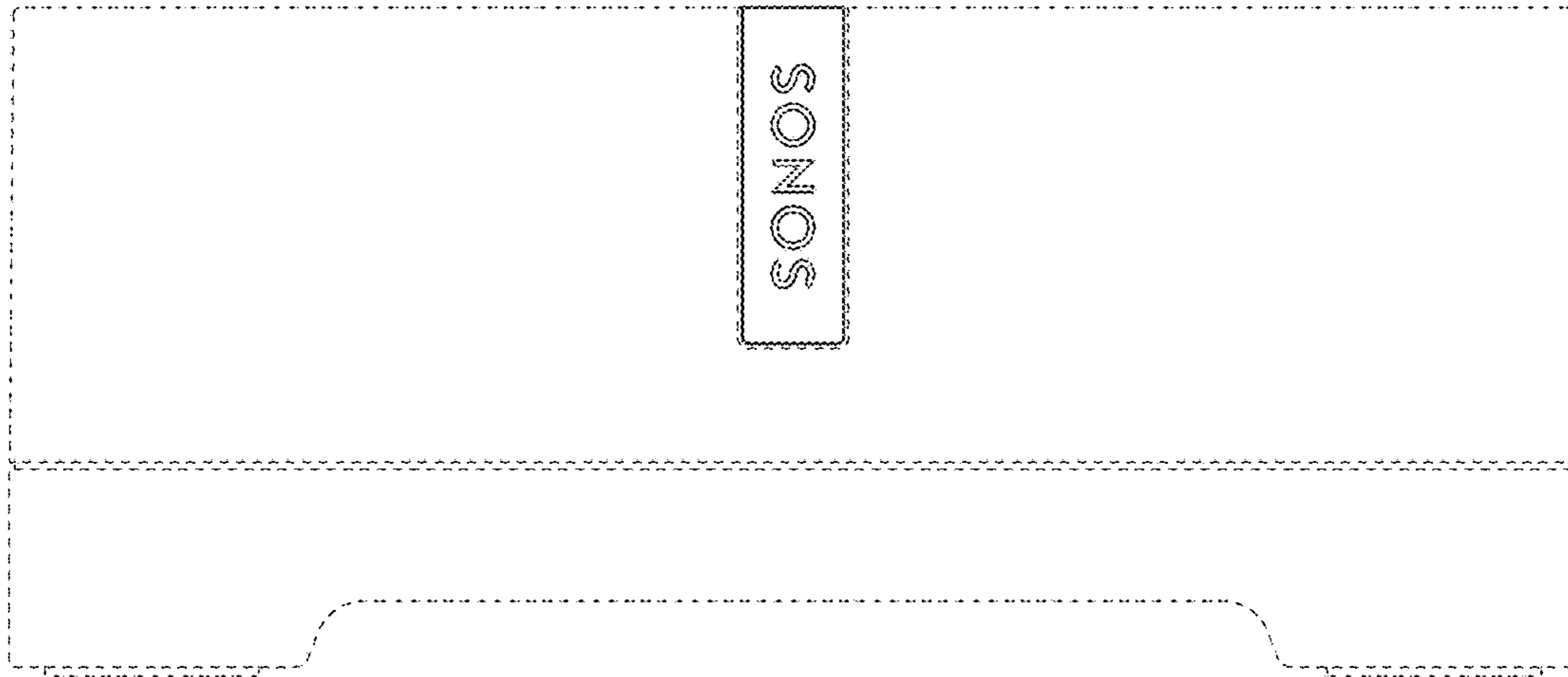


FIG. 6

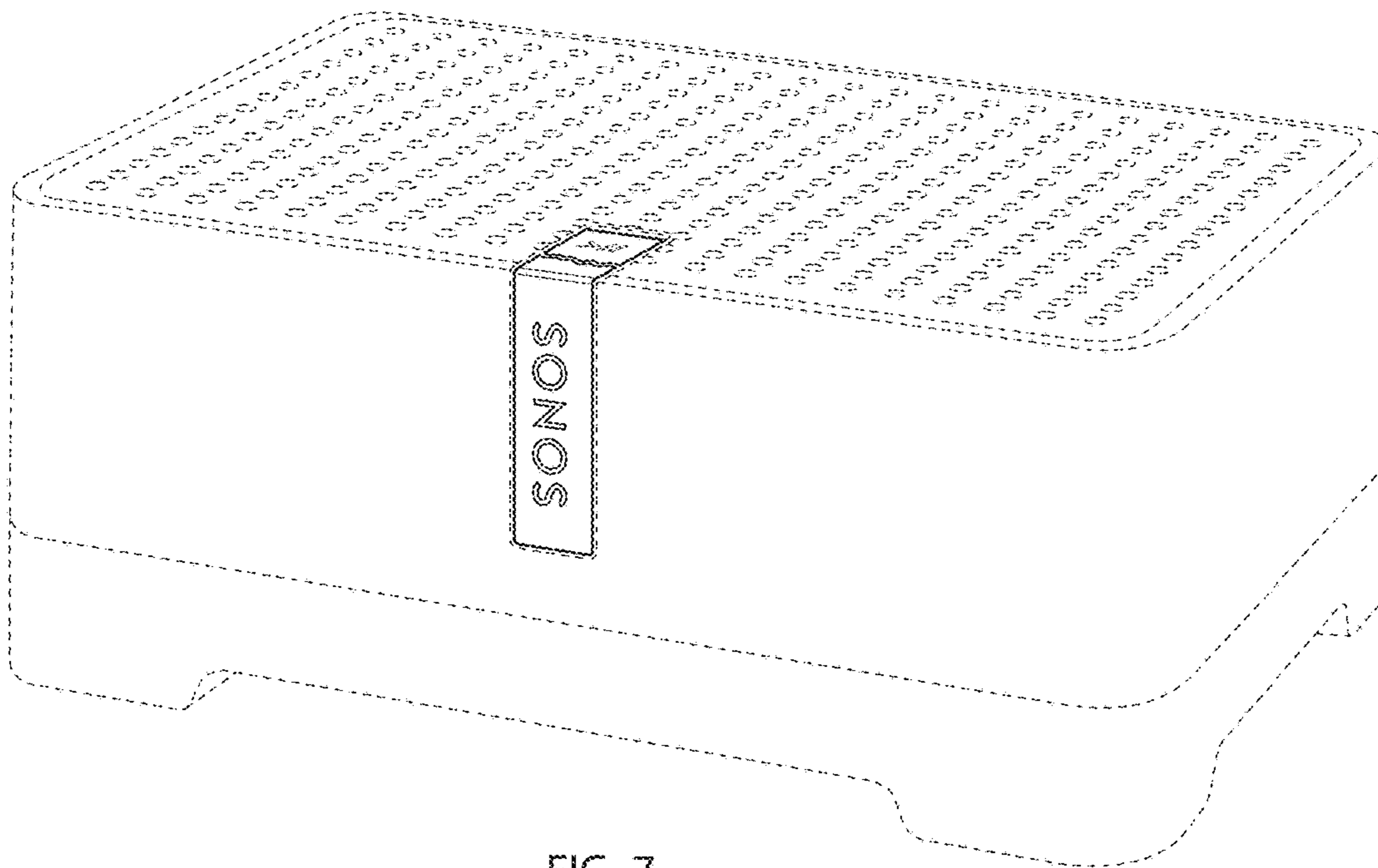


FIG. 7

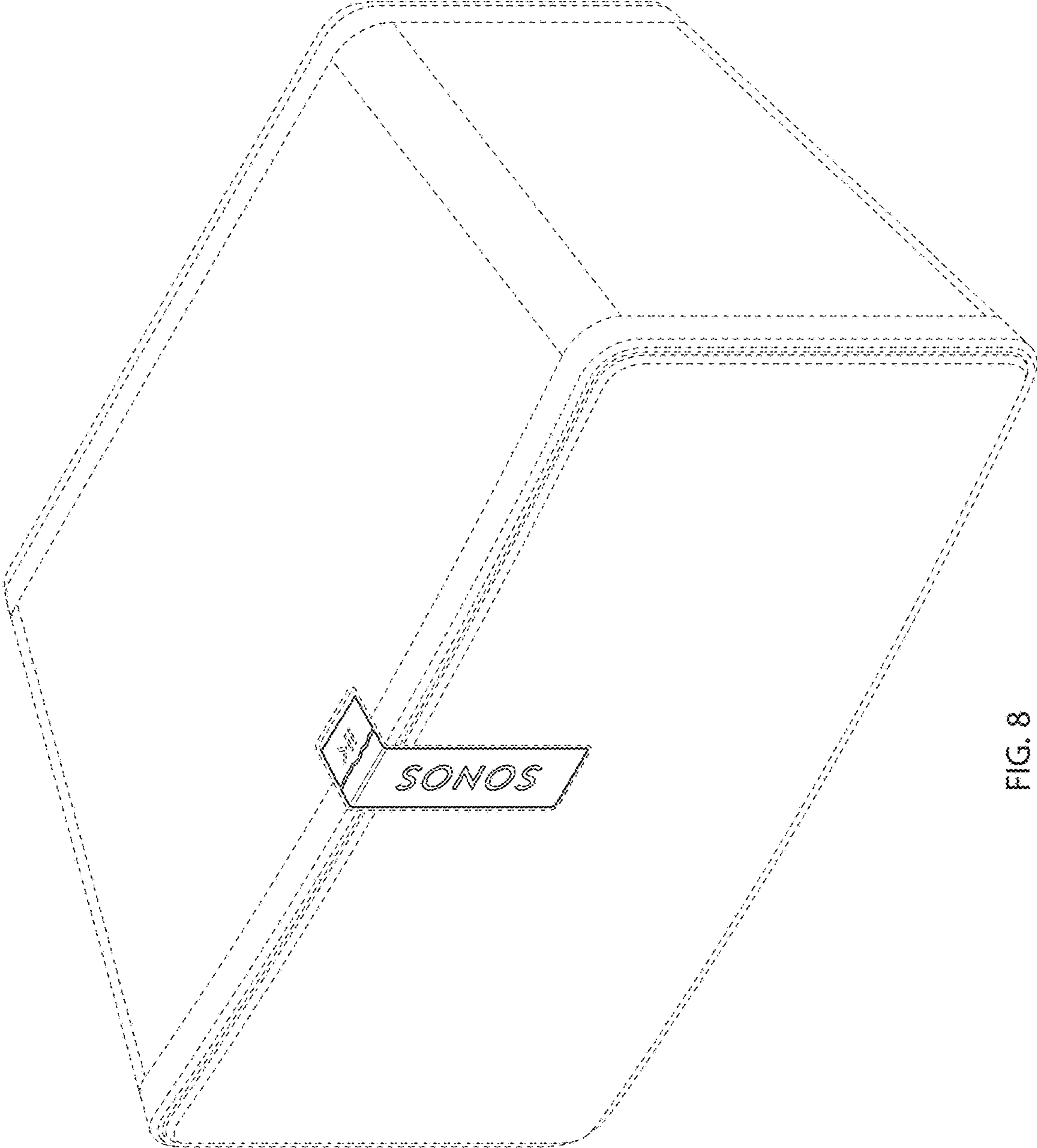


FIG. 8

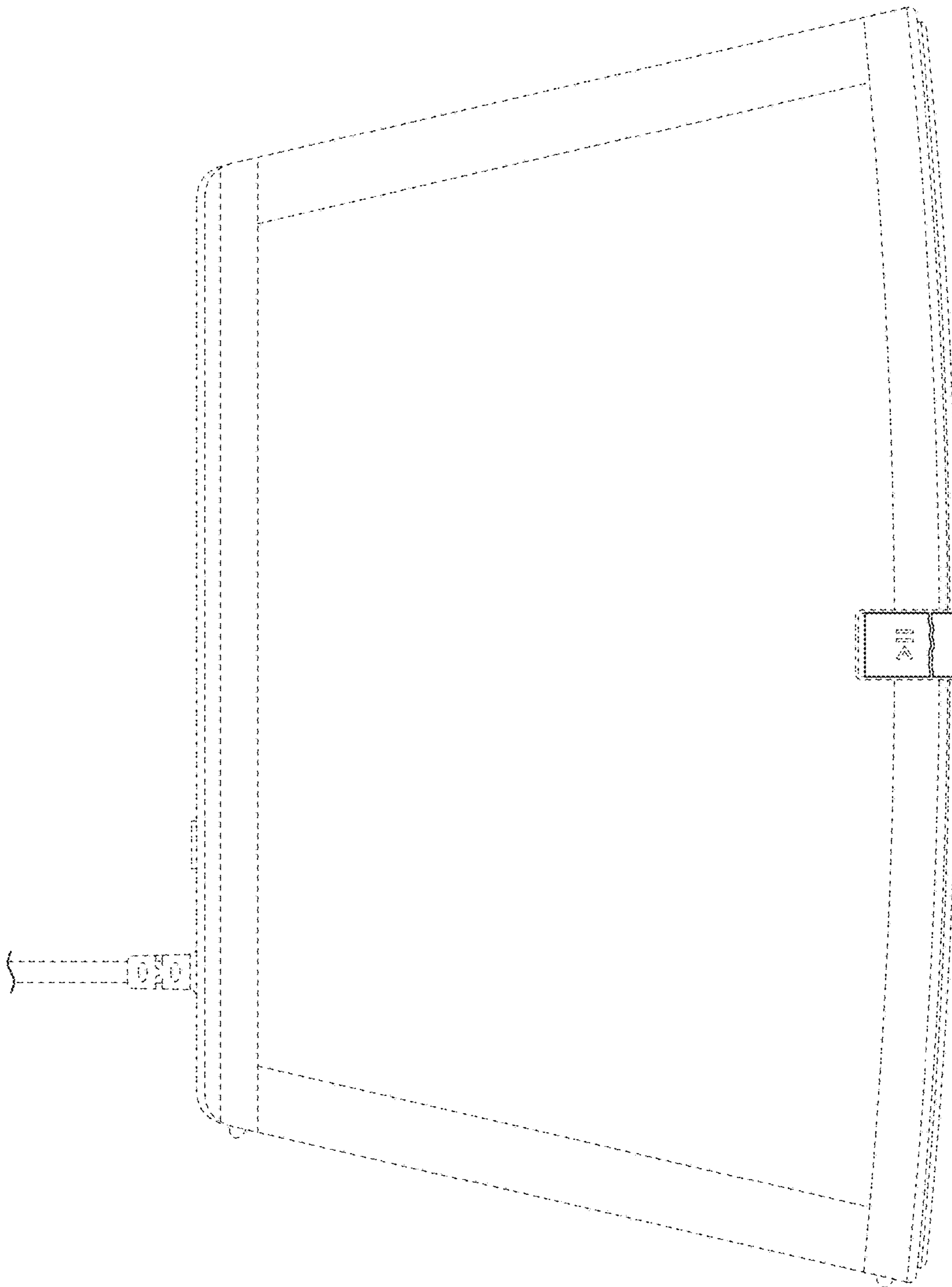


FIG. 9



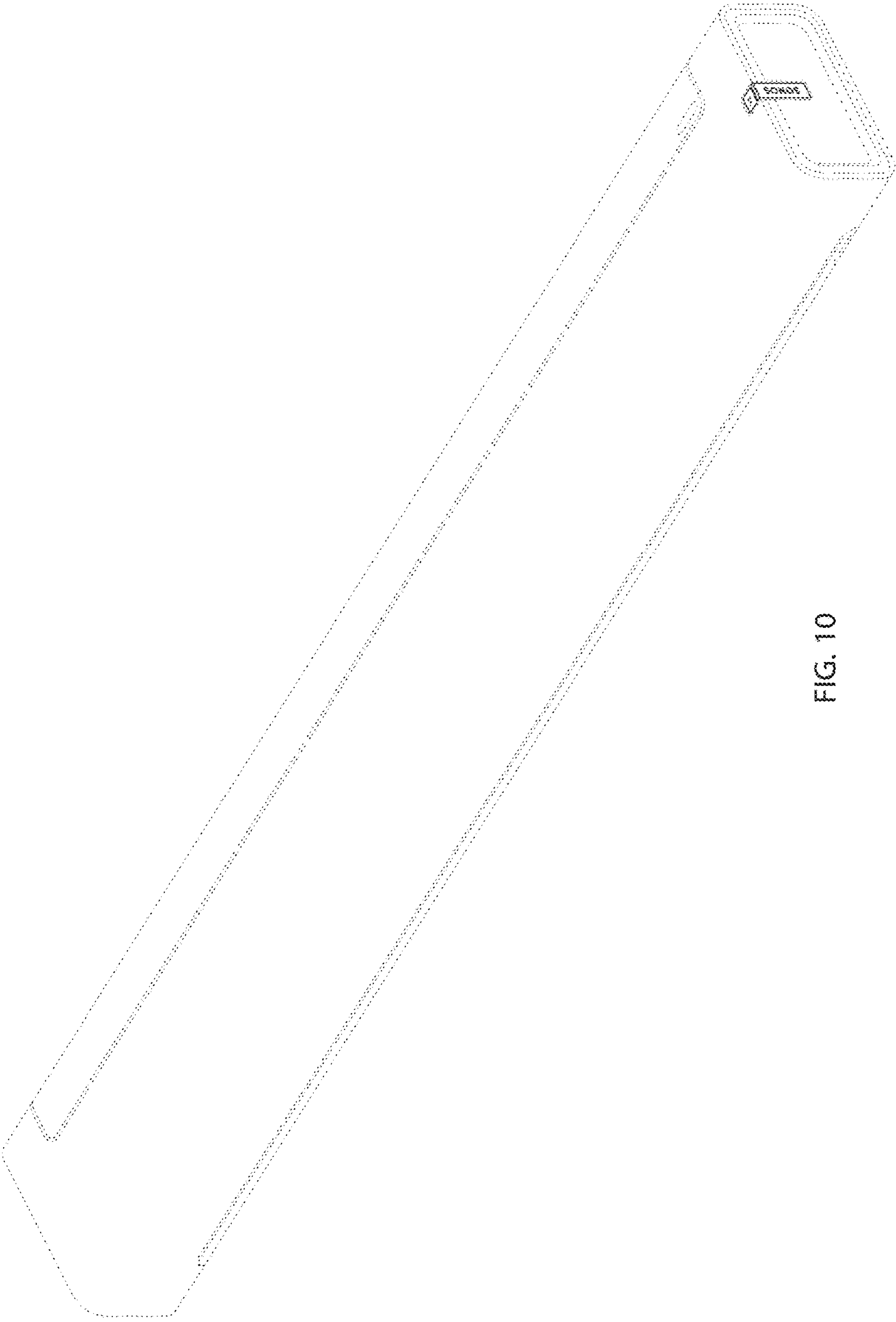


FIG. 10

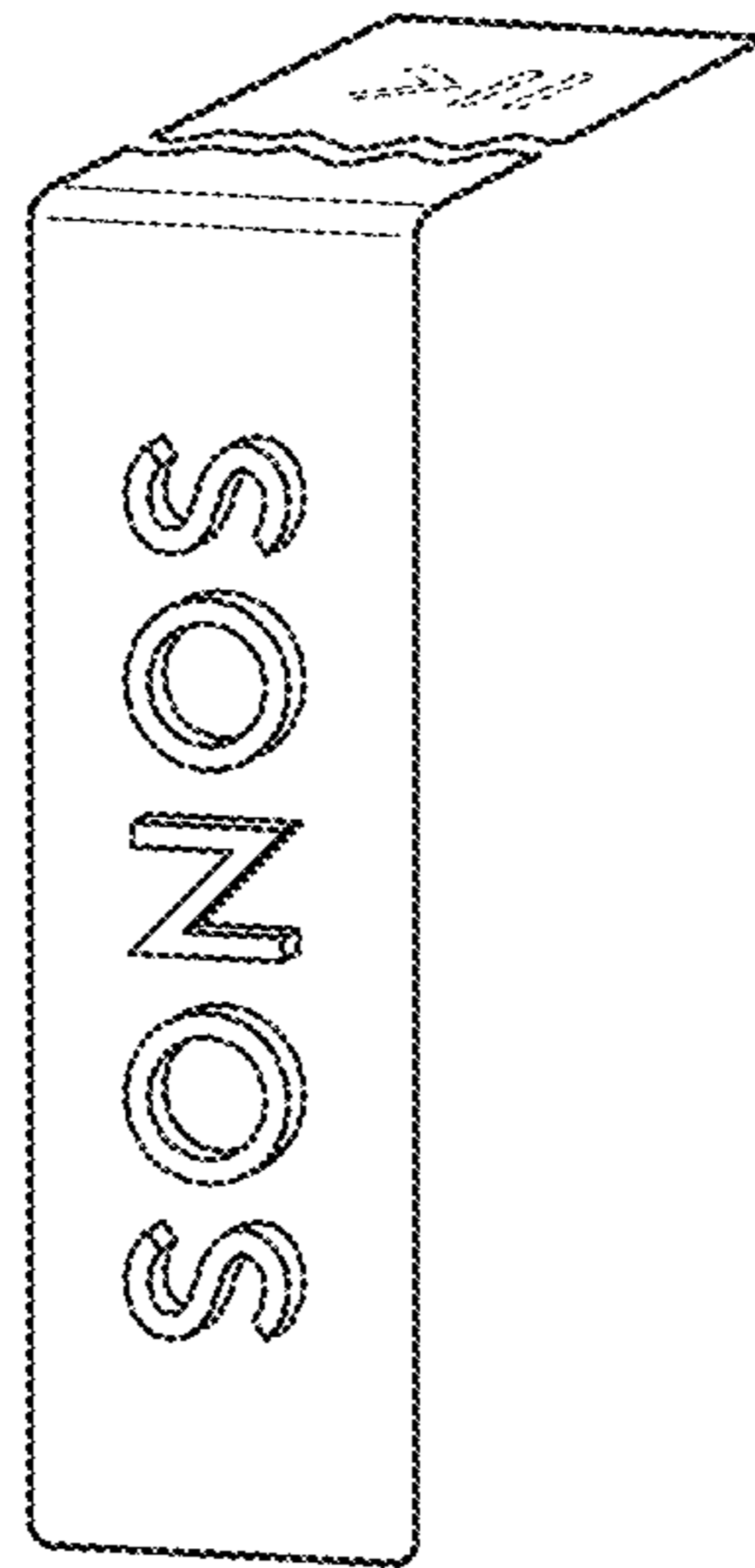


FIG. 11

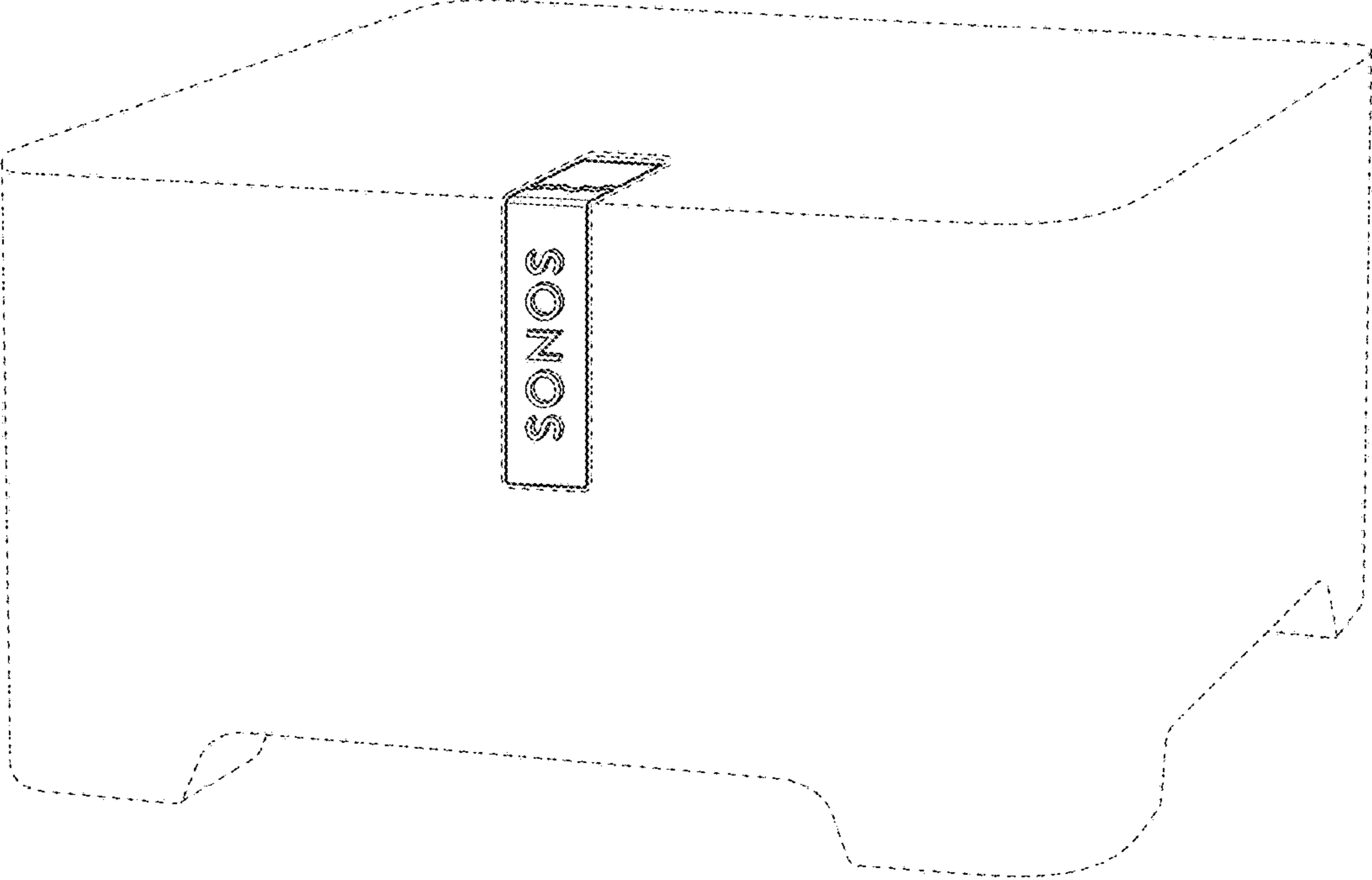


FIG. 12

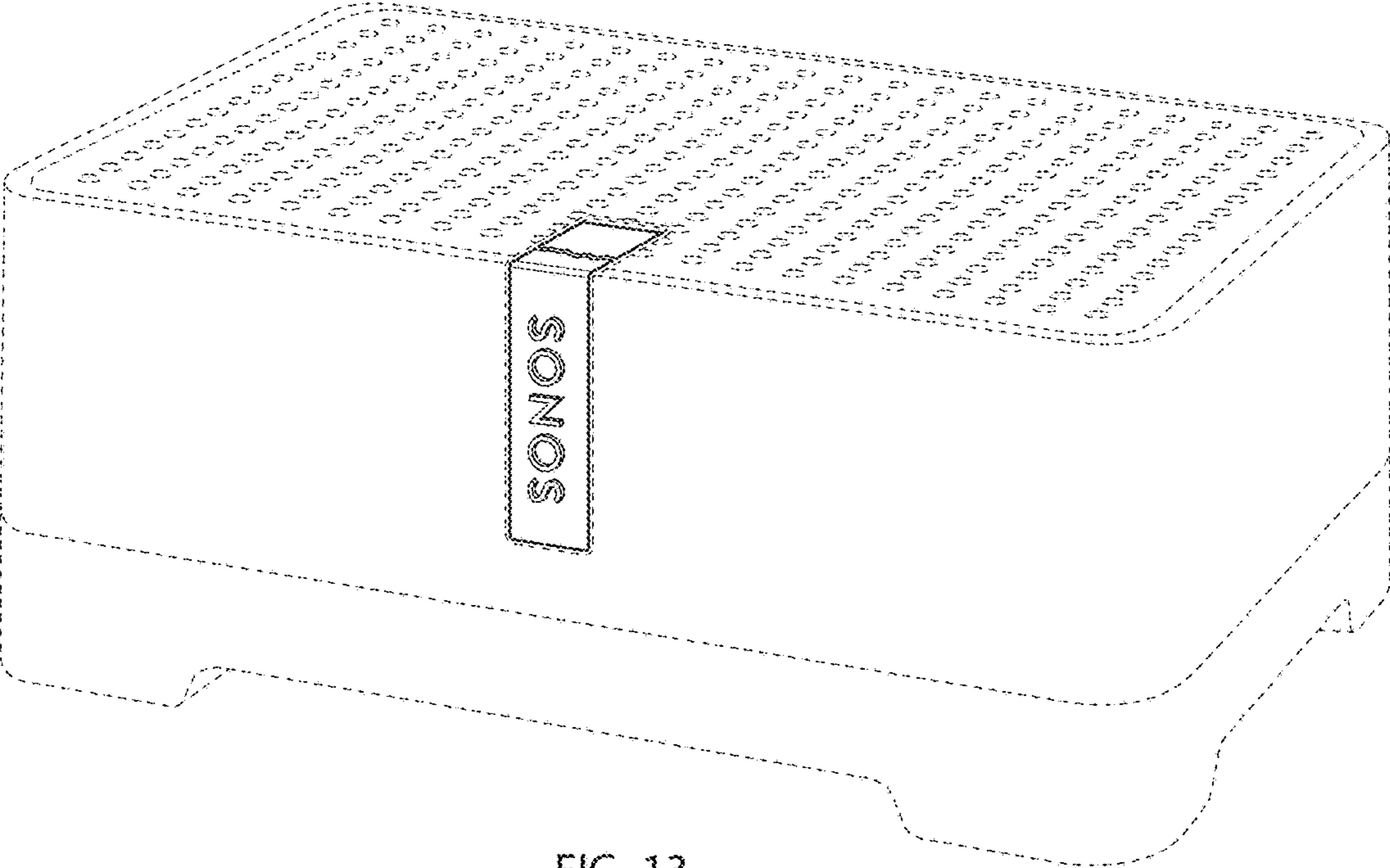


FIG. 13

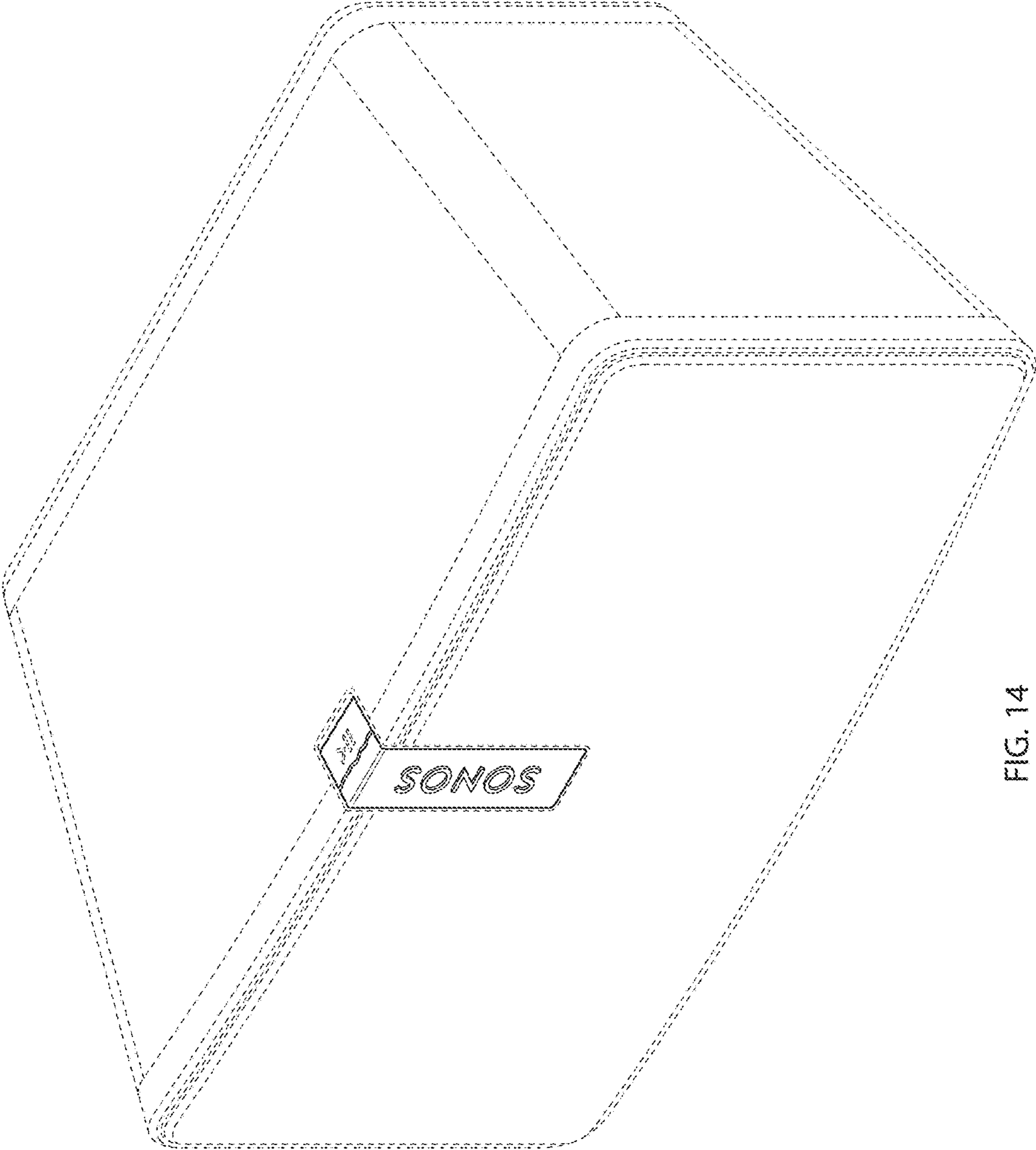


FIG. 14

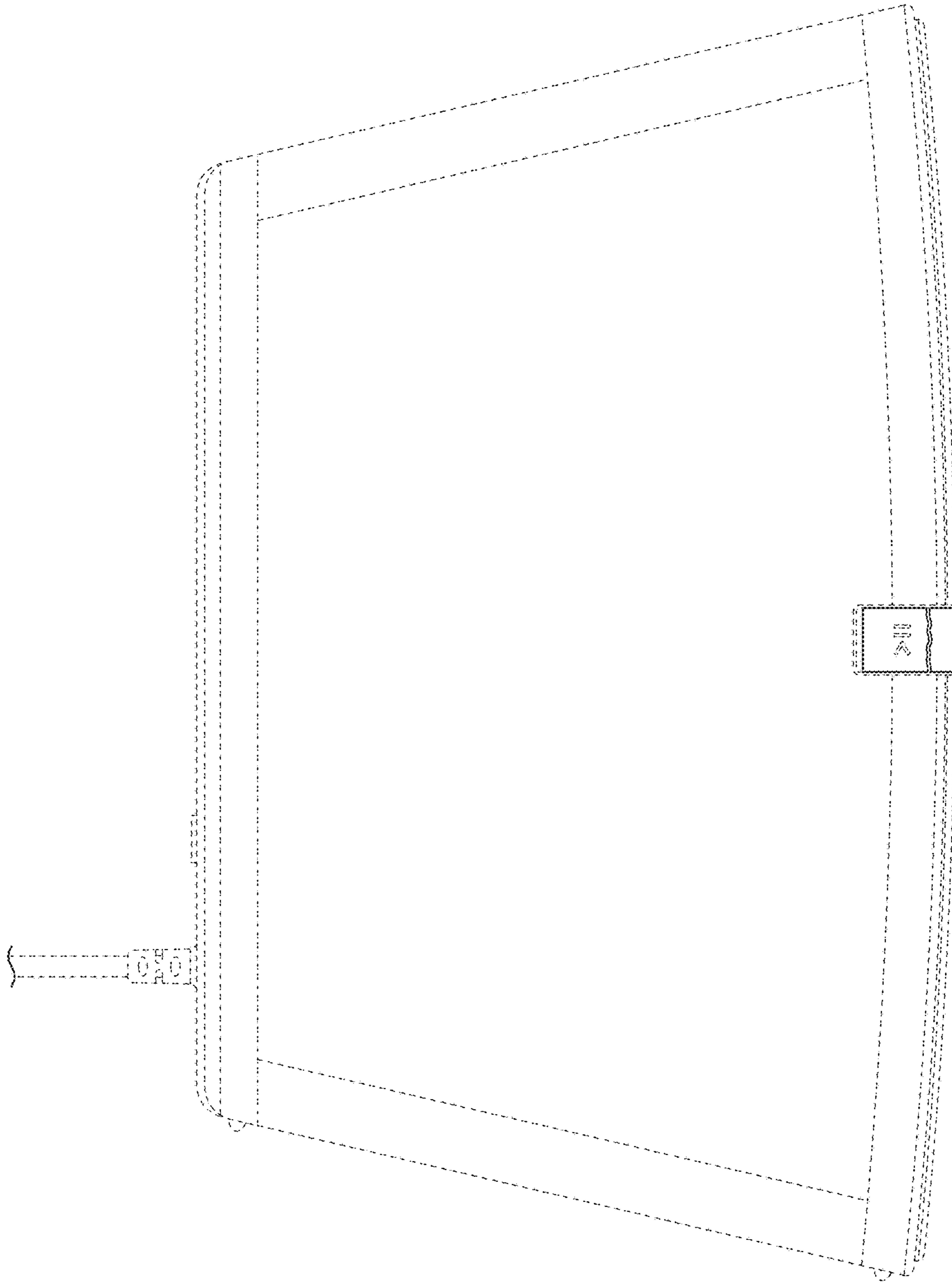


FIG. 15

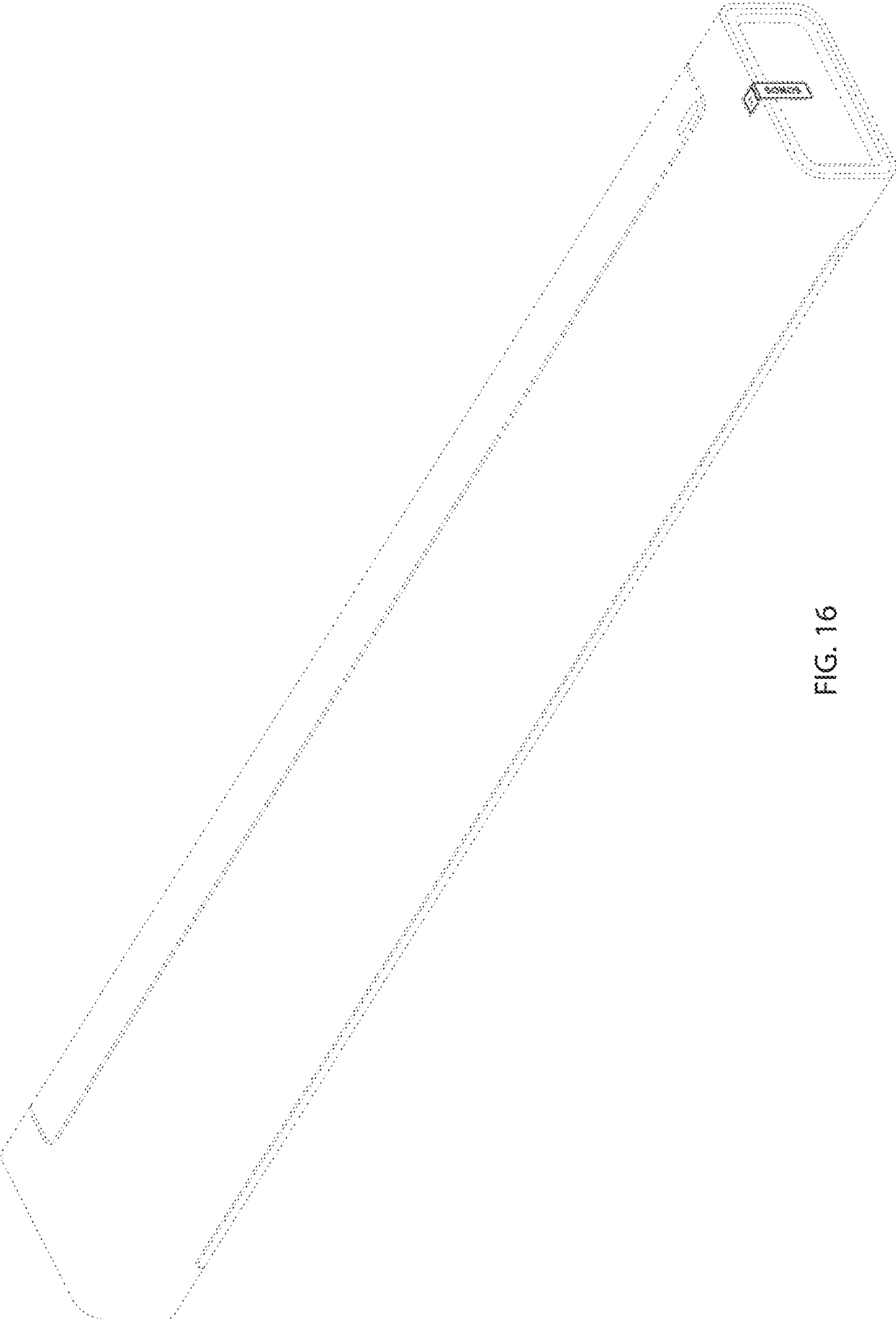


FIG. 16

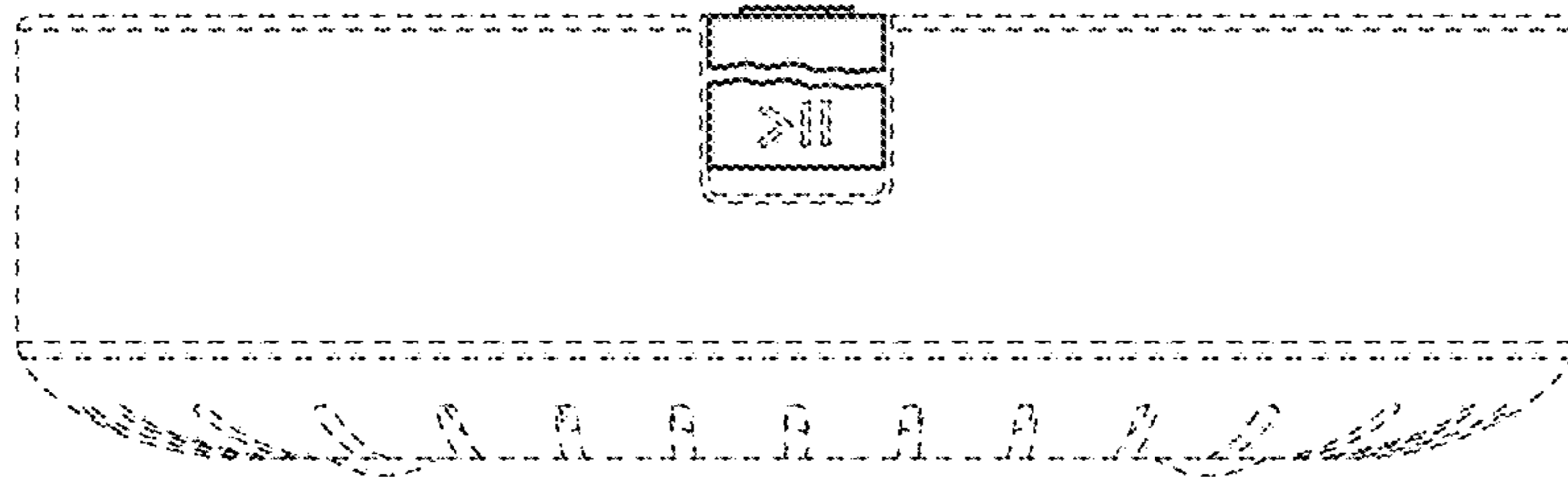


FIG. 17

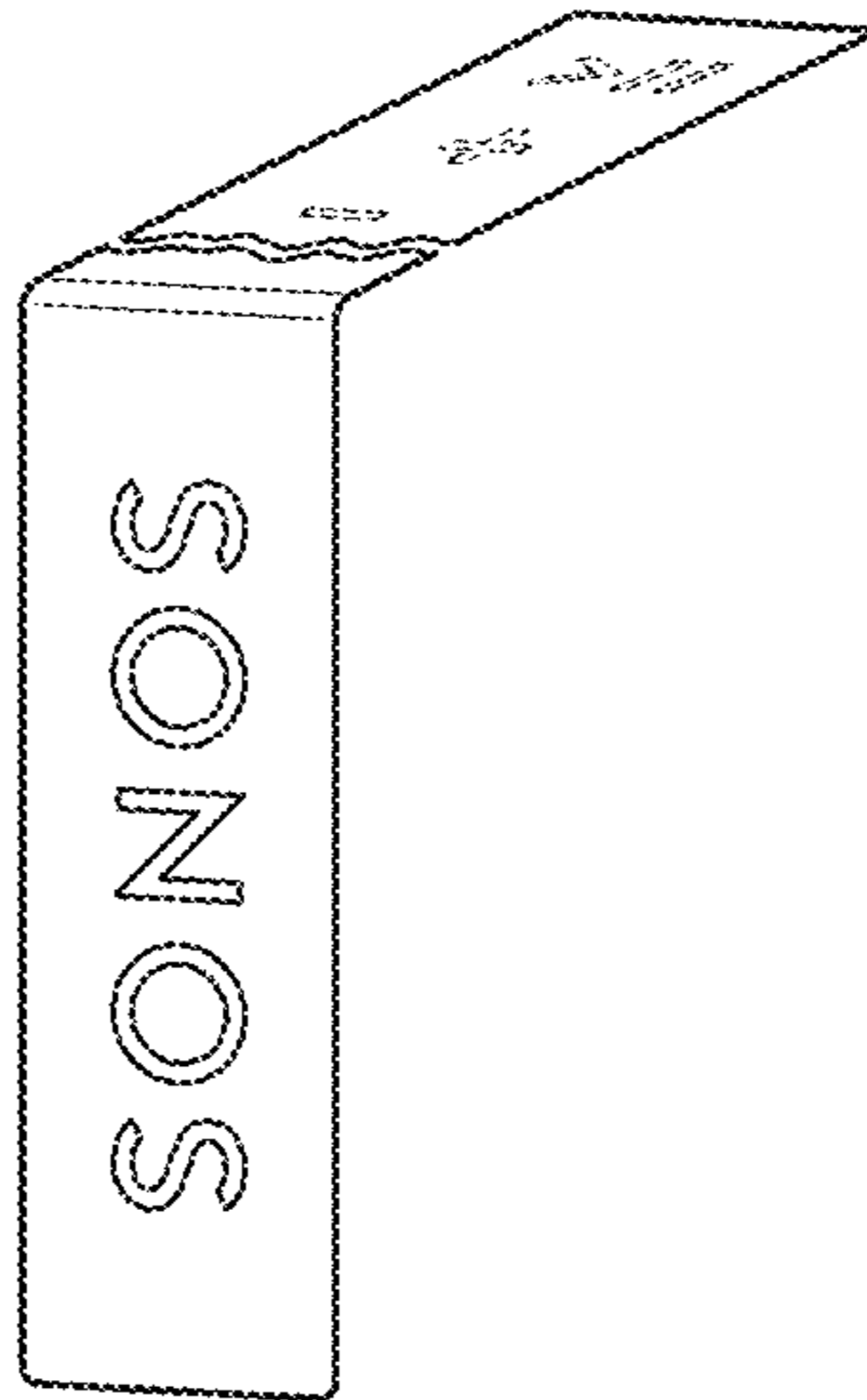


FIG. 18



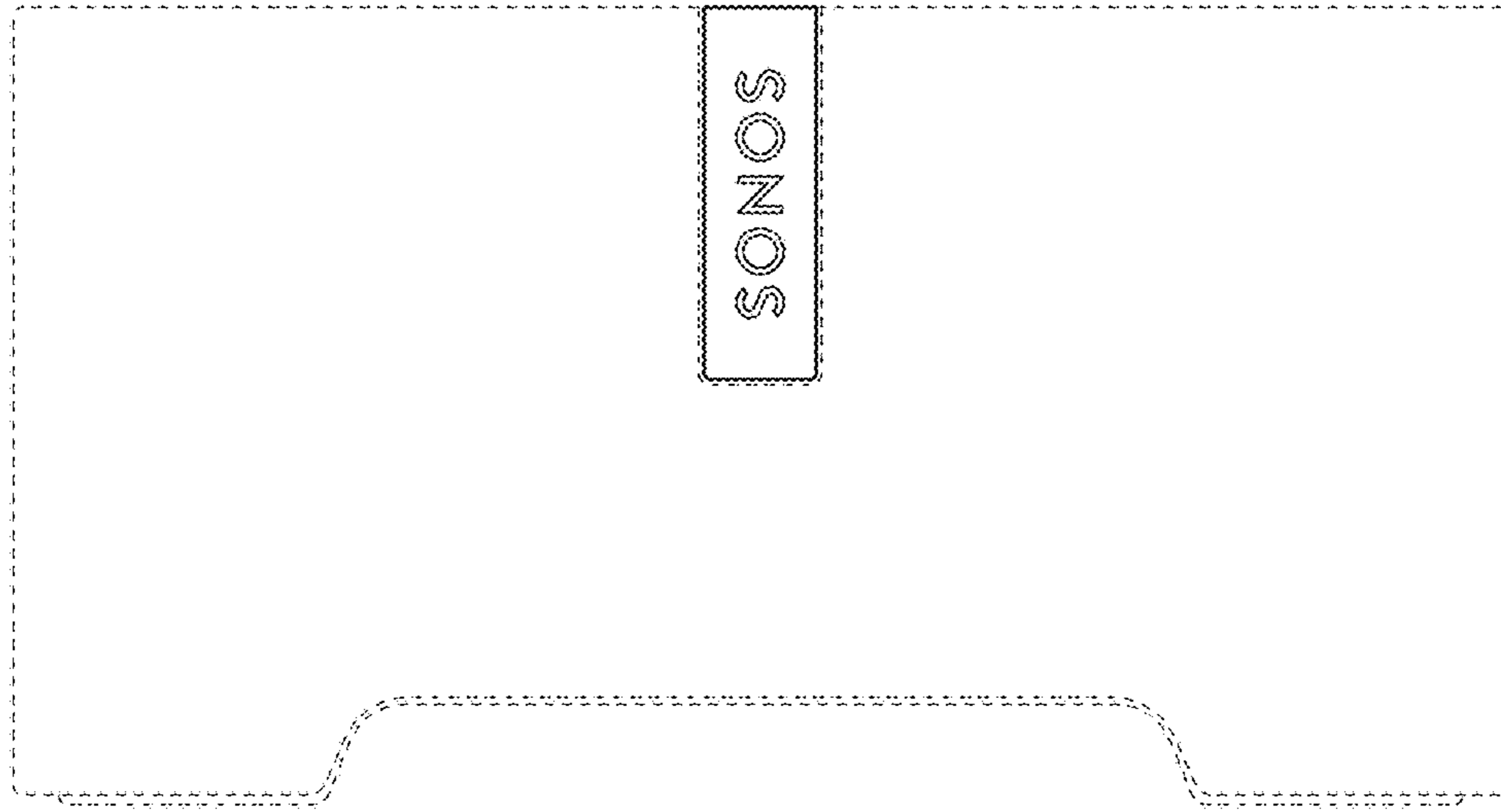


FIG. 19

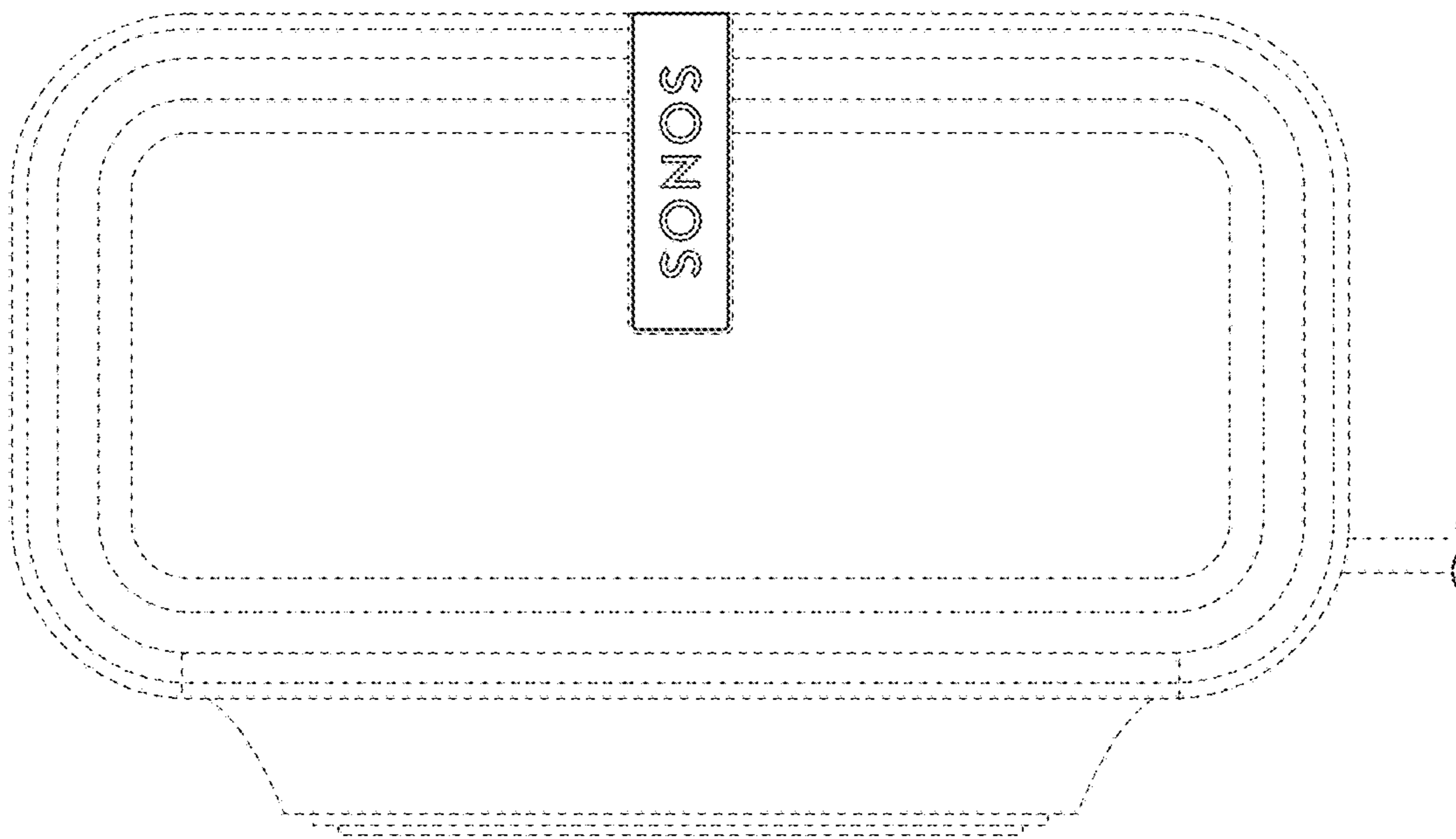


FIG. 20

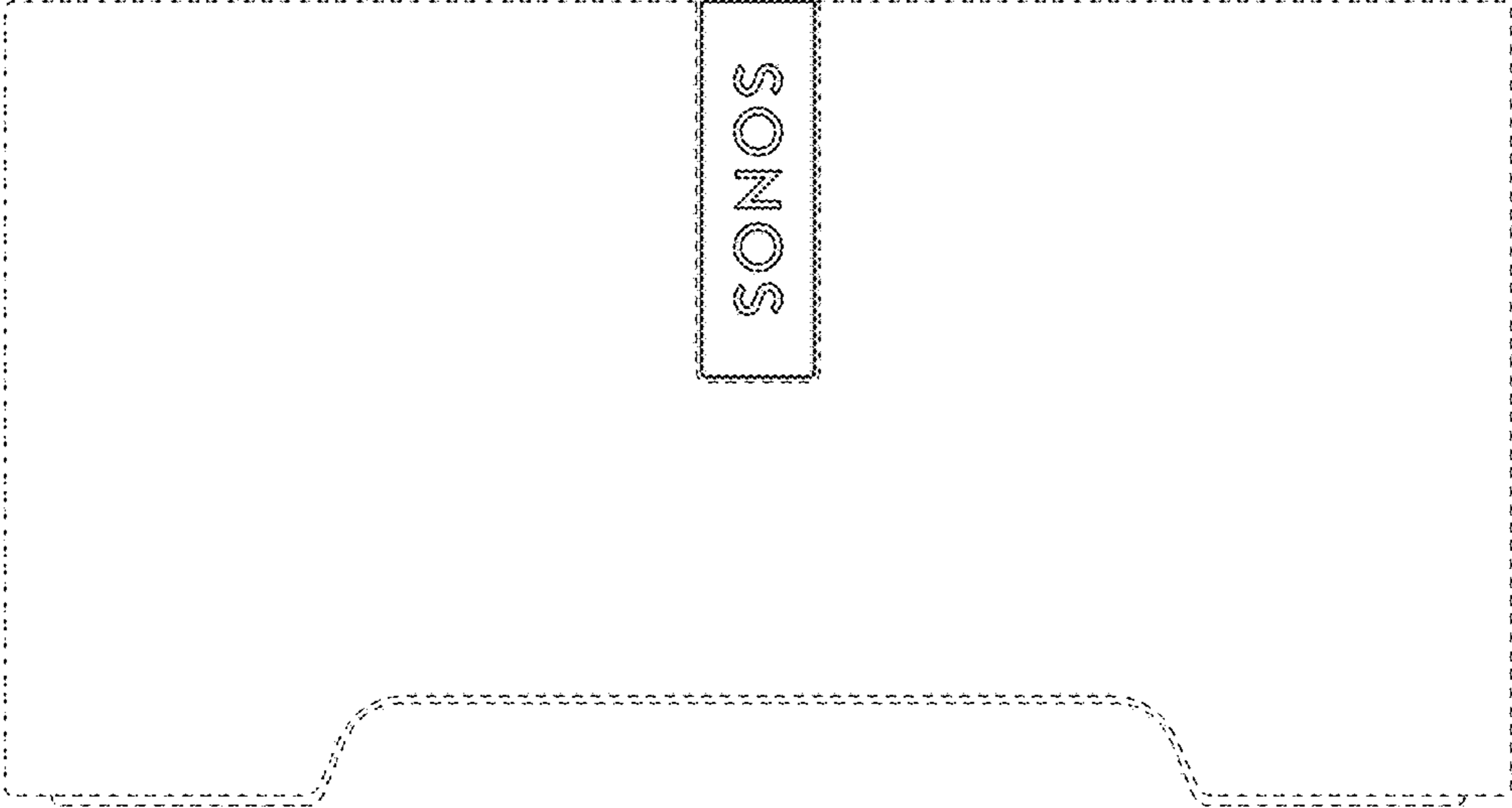


FIG. 21

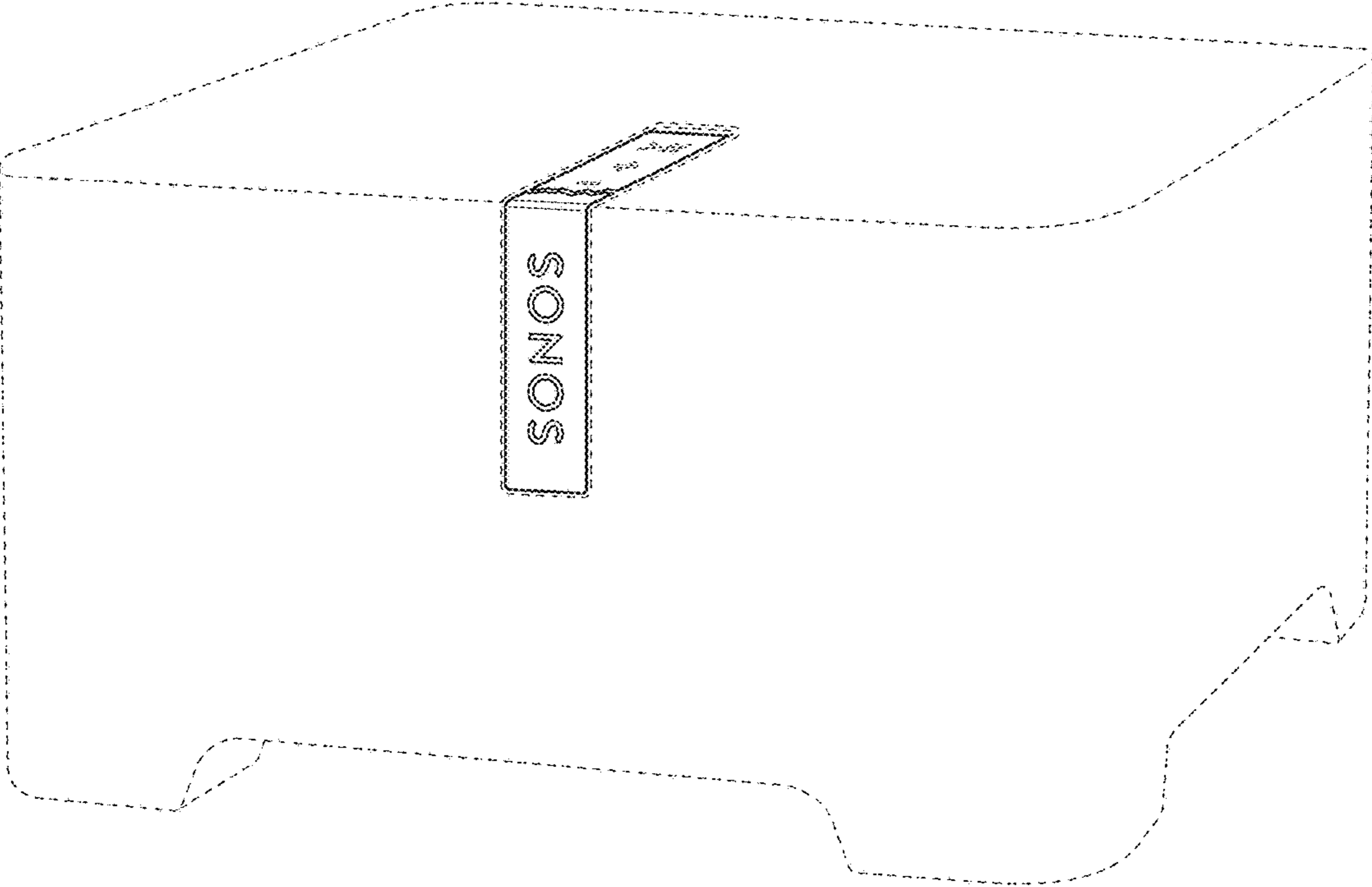


FIG. 22

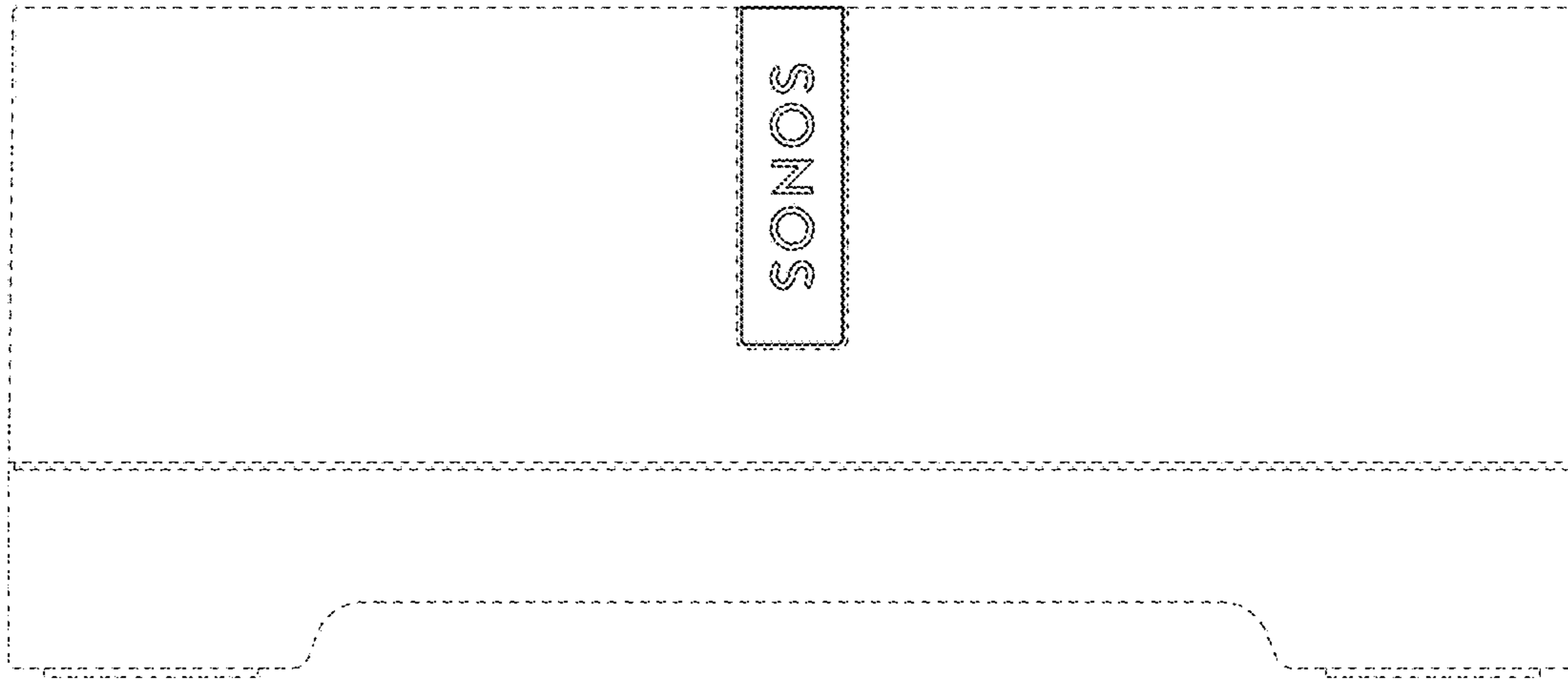


FIG. 23

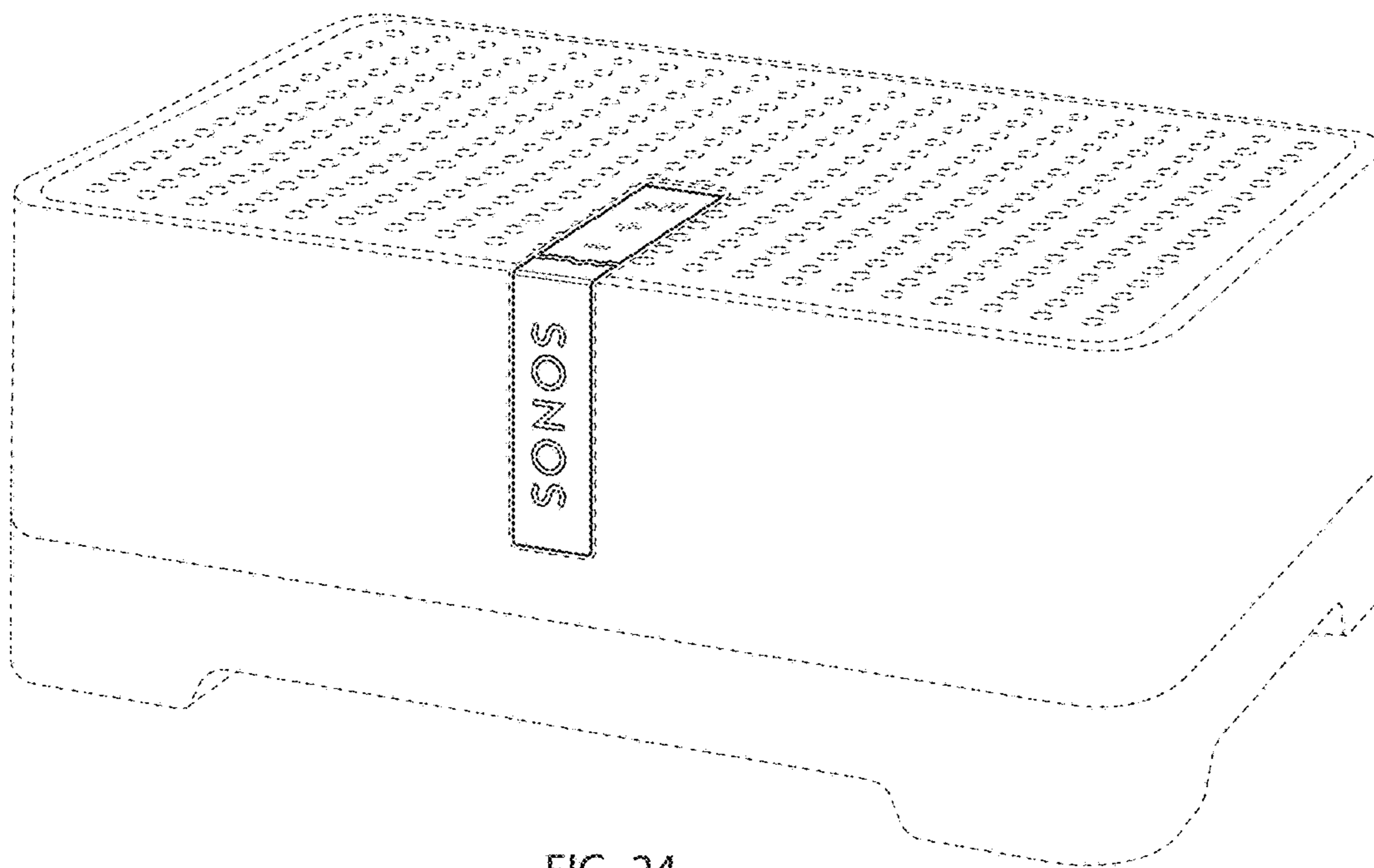


FIG. 24

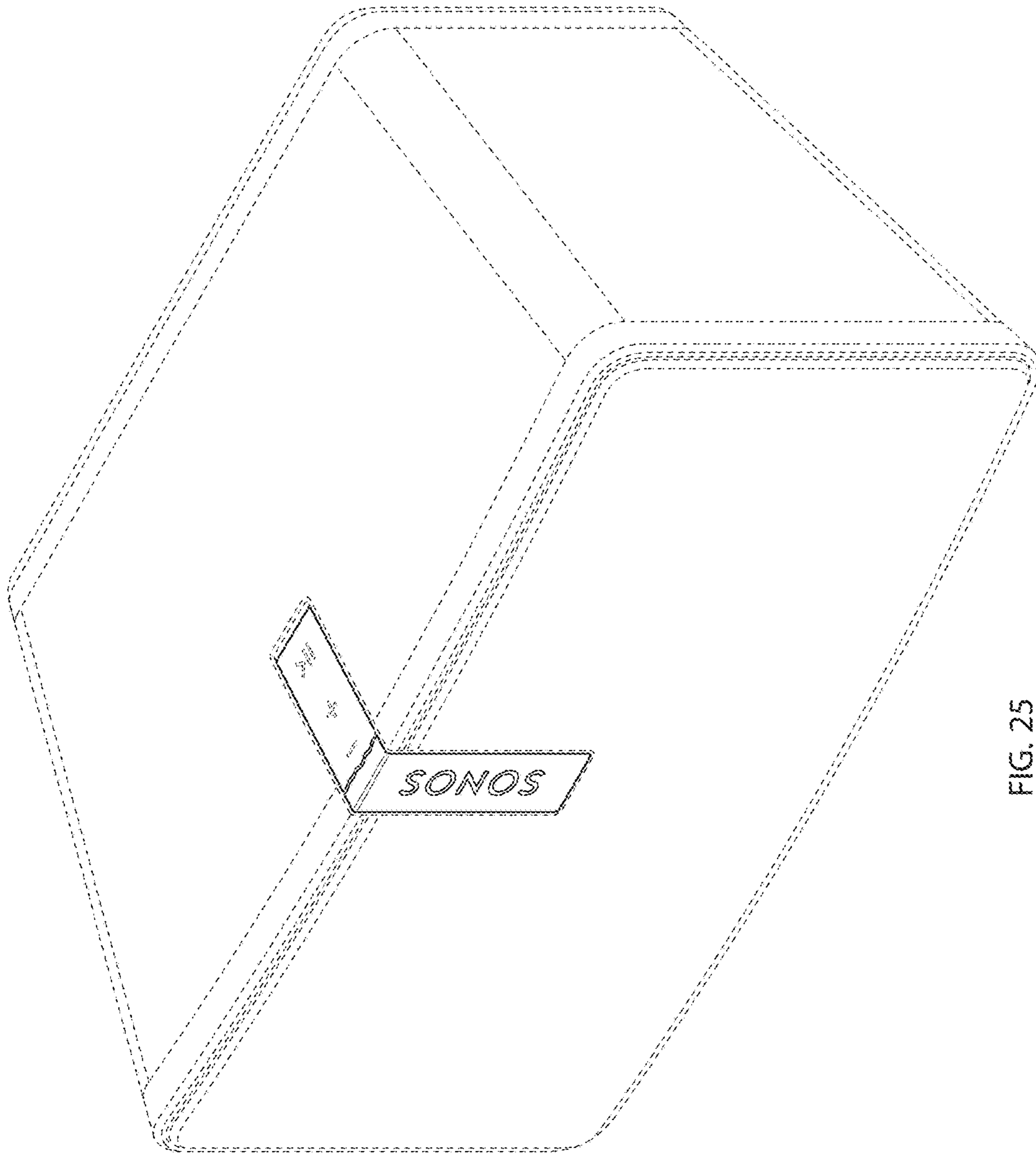


FIG. 25

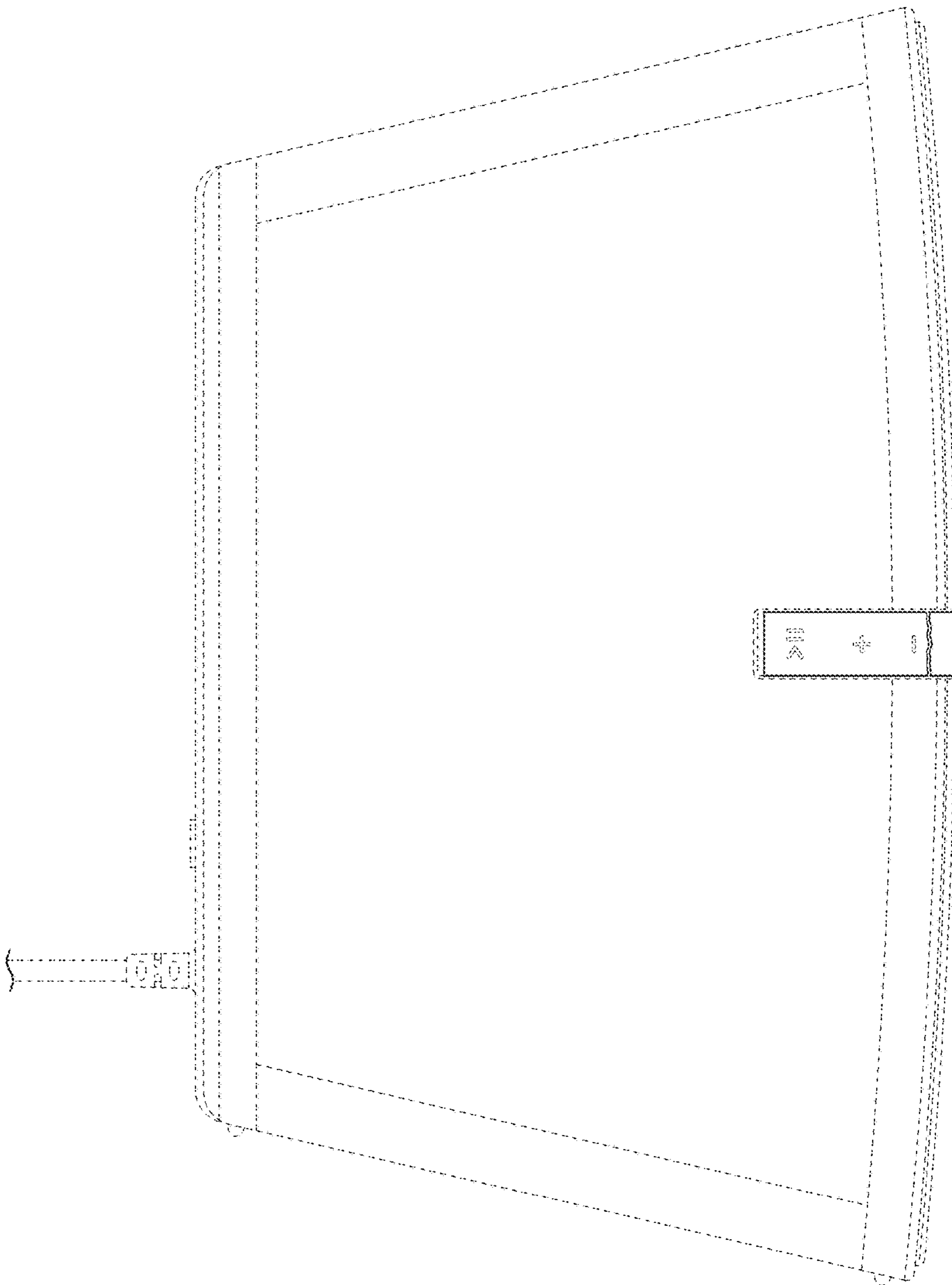


FIG. 26

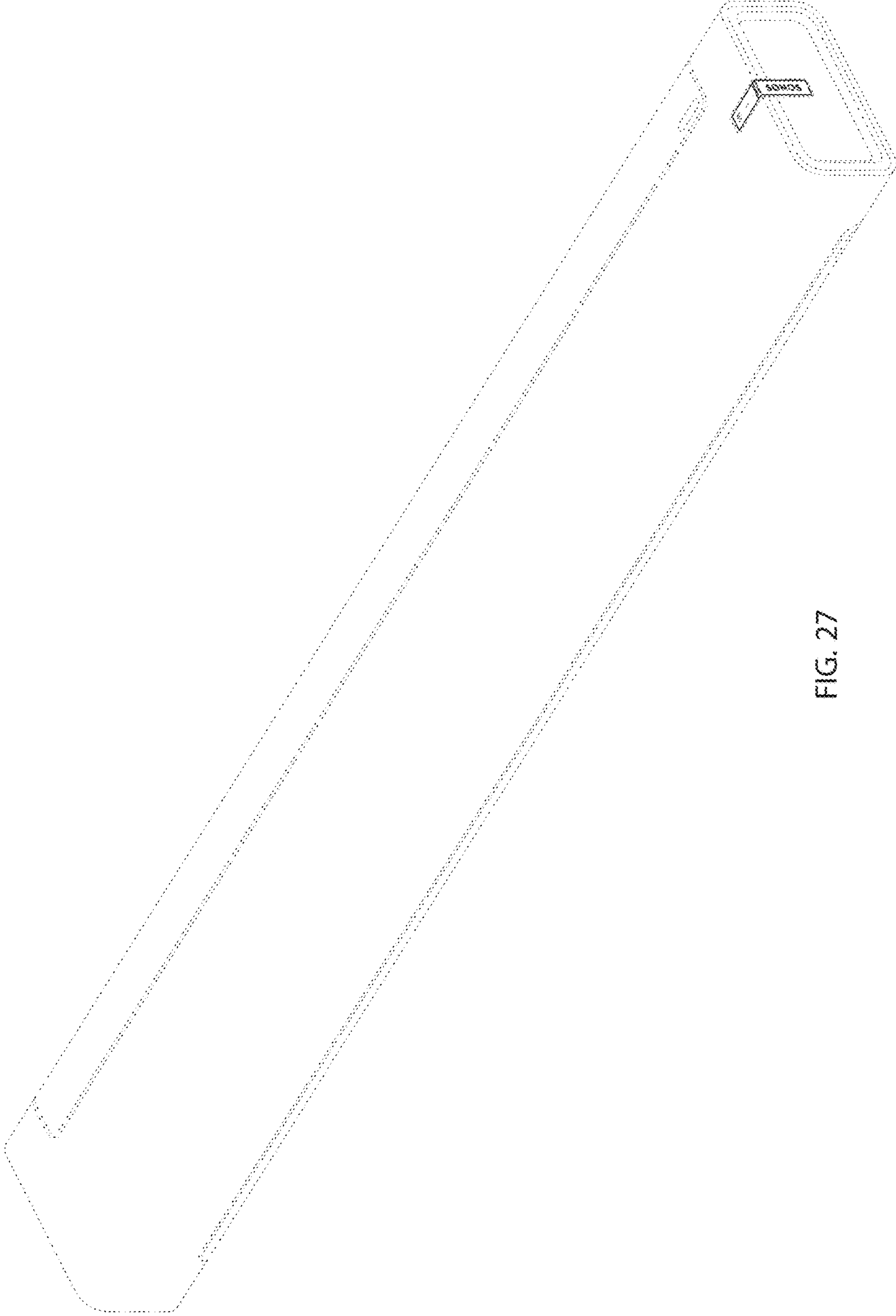


FIG. 27

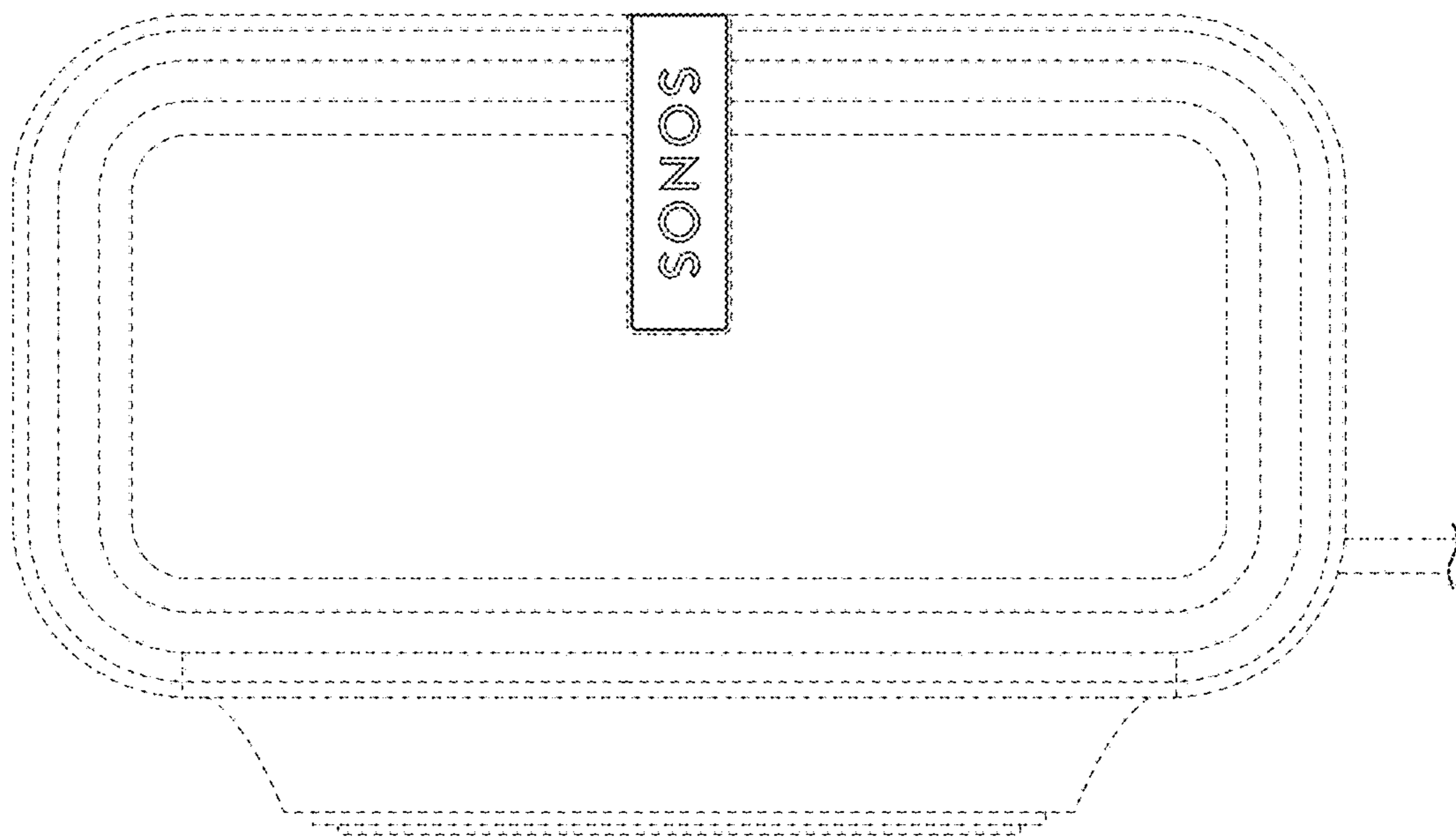


FIG. 28

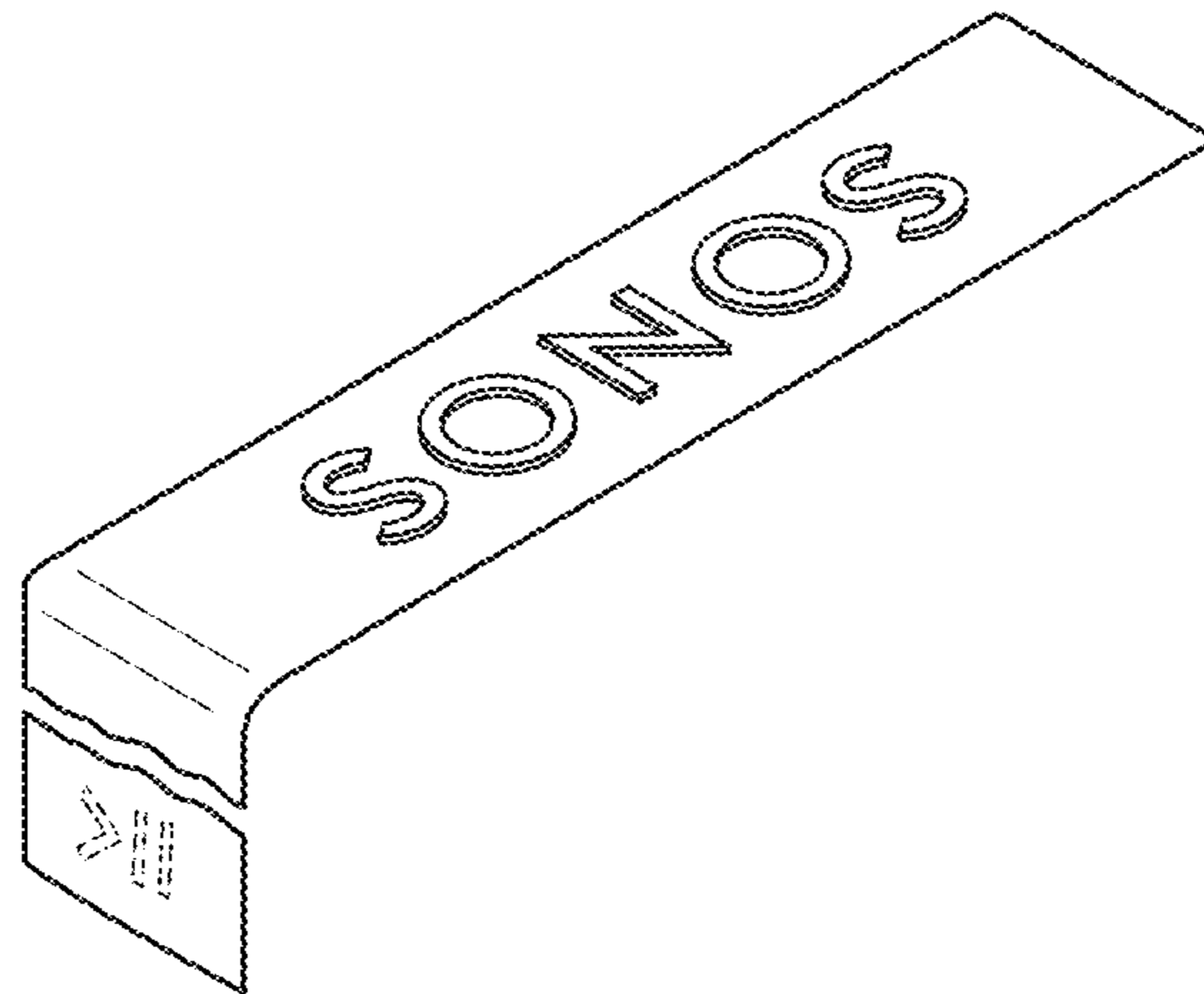


FIG. 29



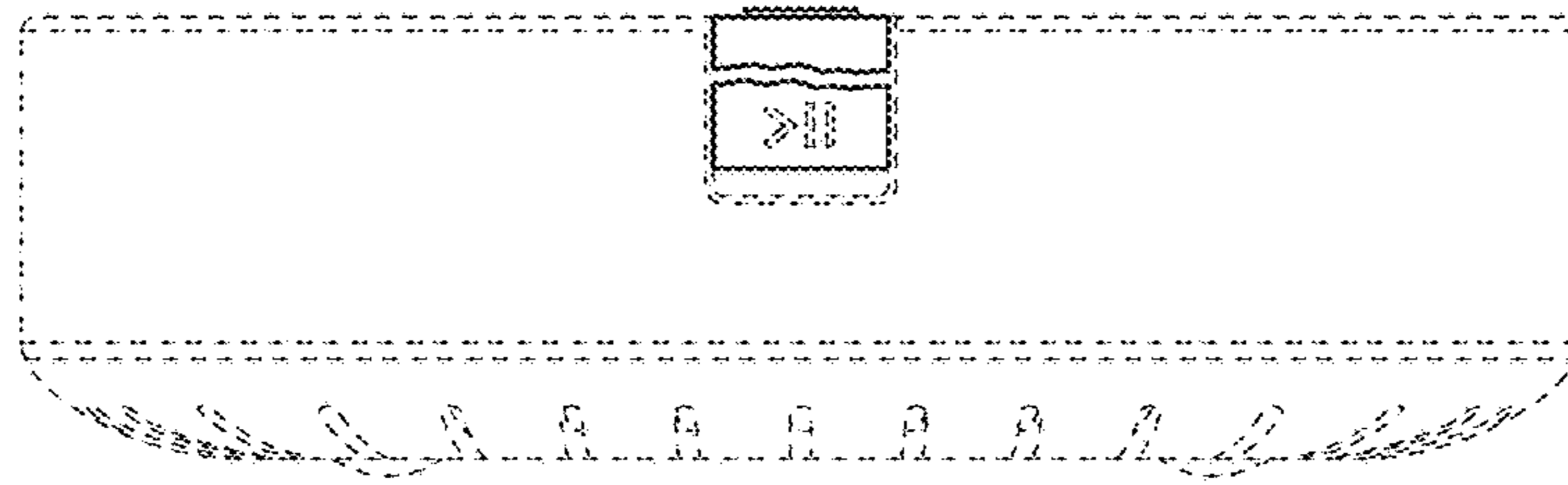


FIG. 30

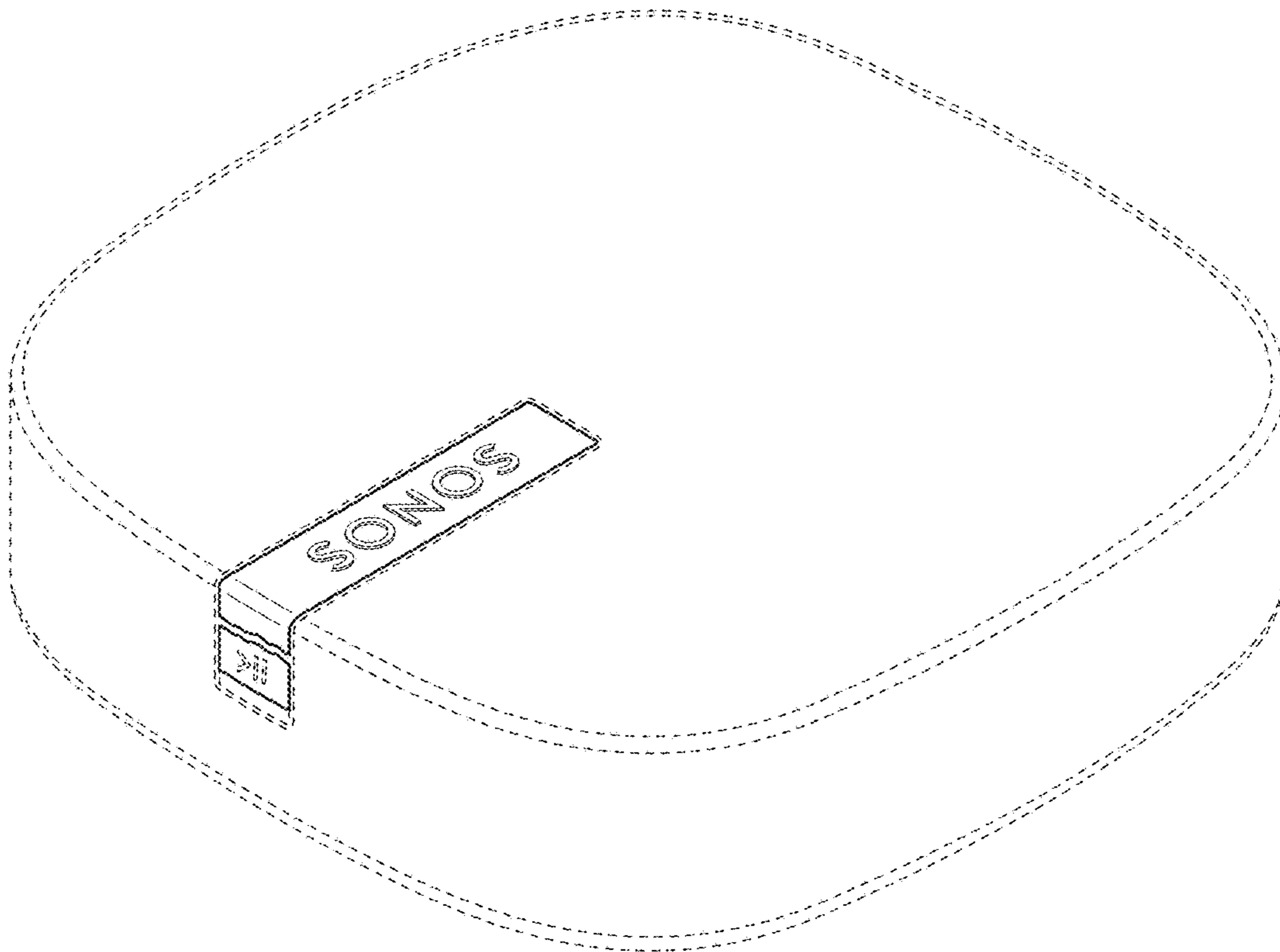


FIG. 31

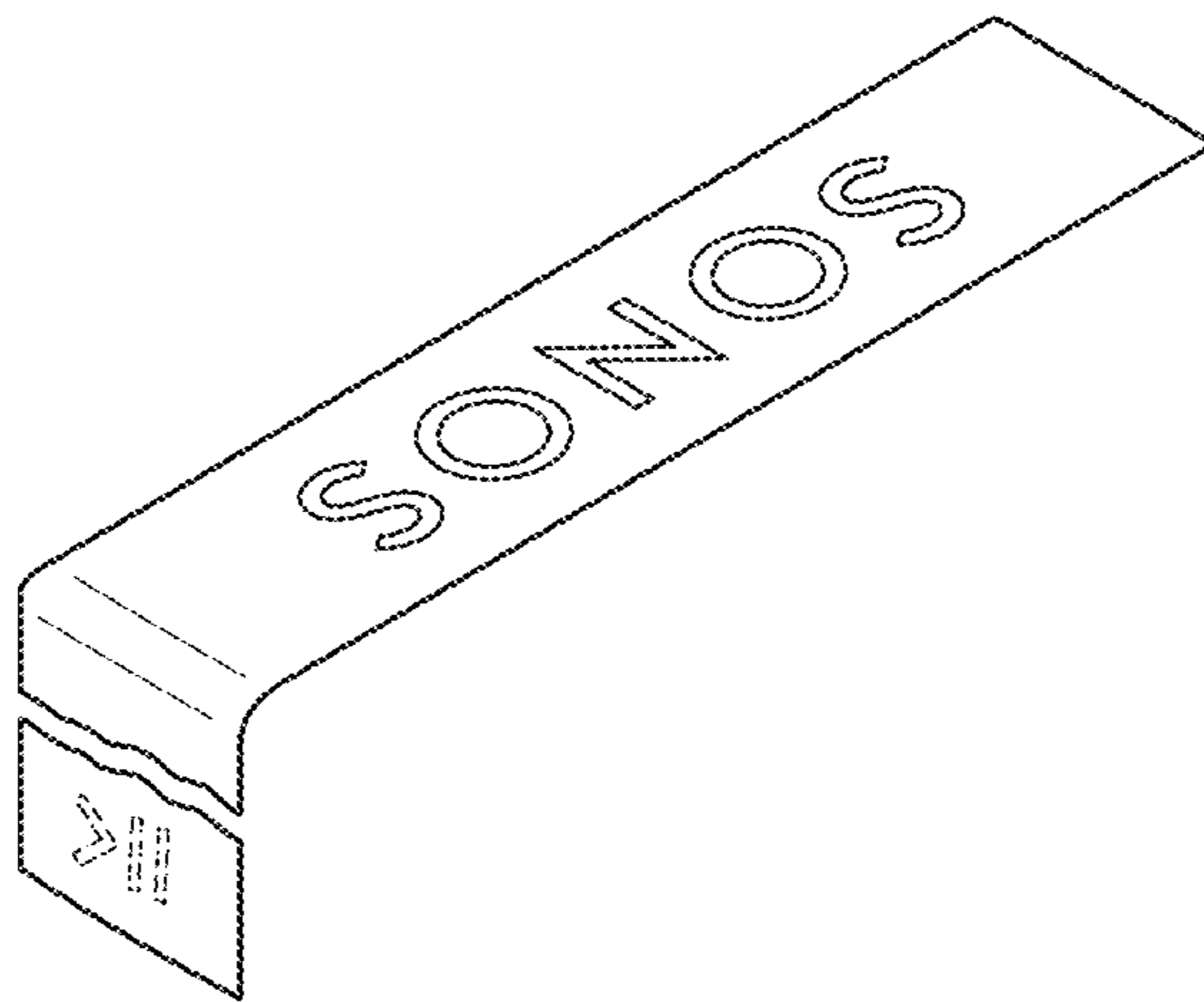


FIG. 32

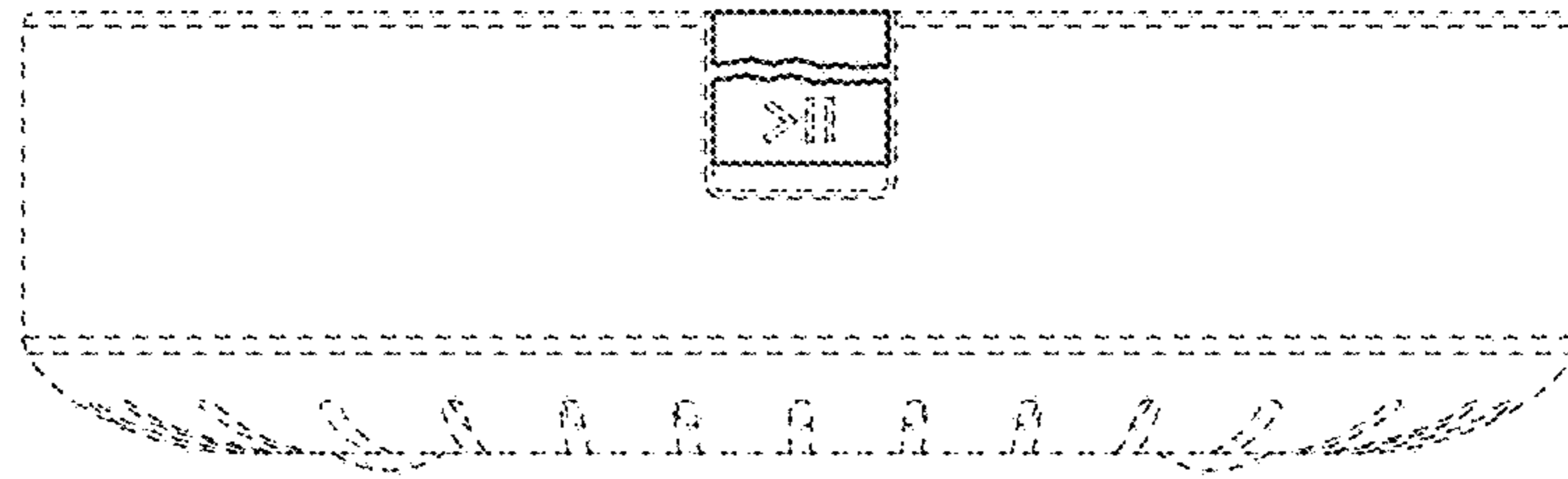


FIG. 33

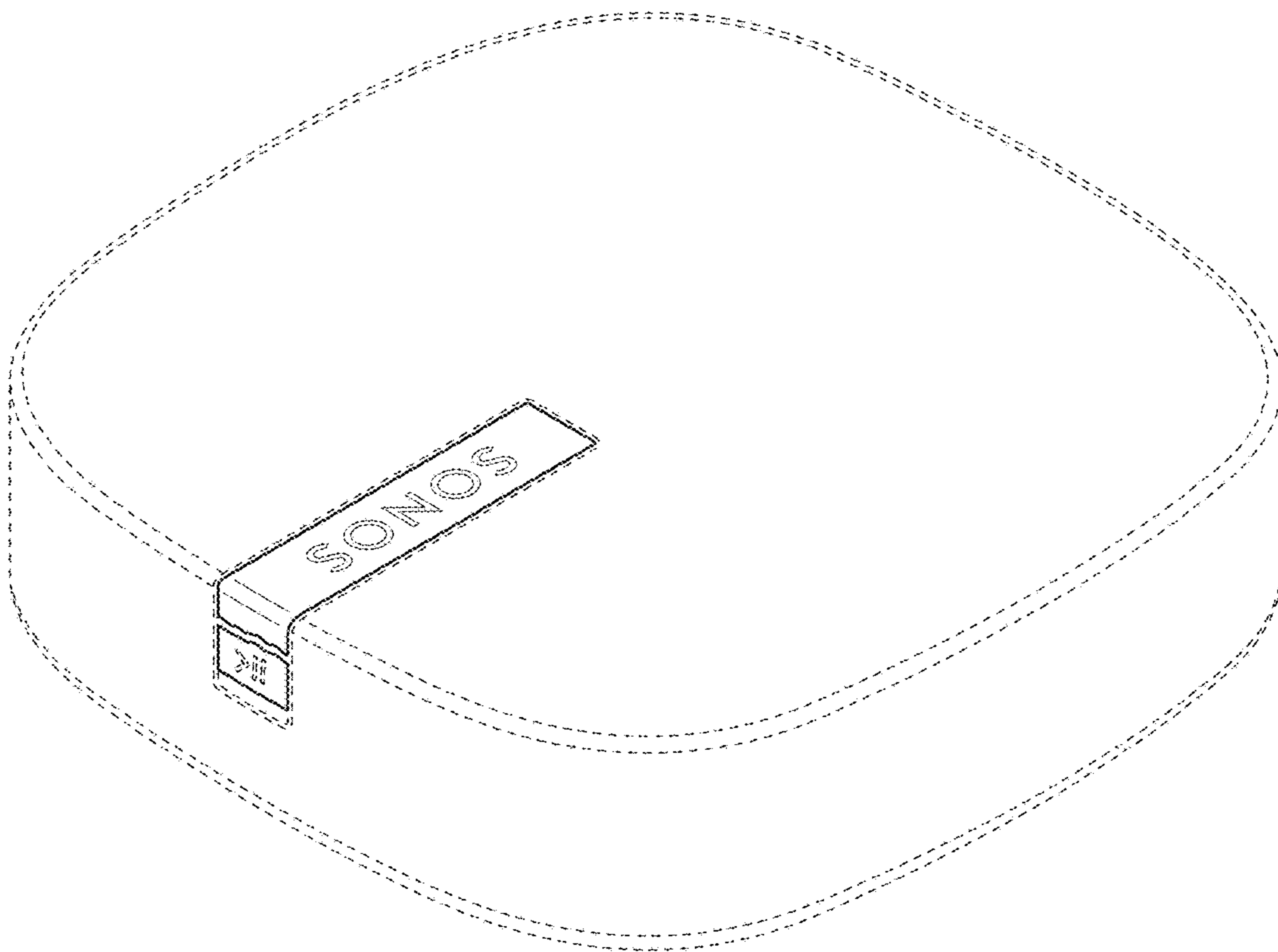


FIG. 34

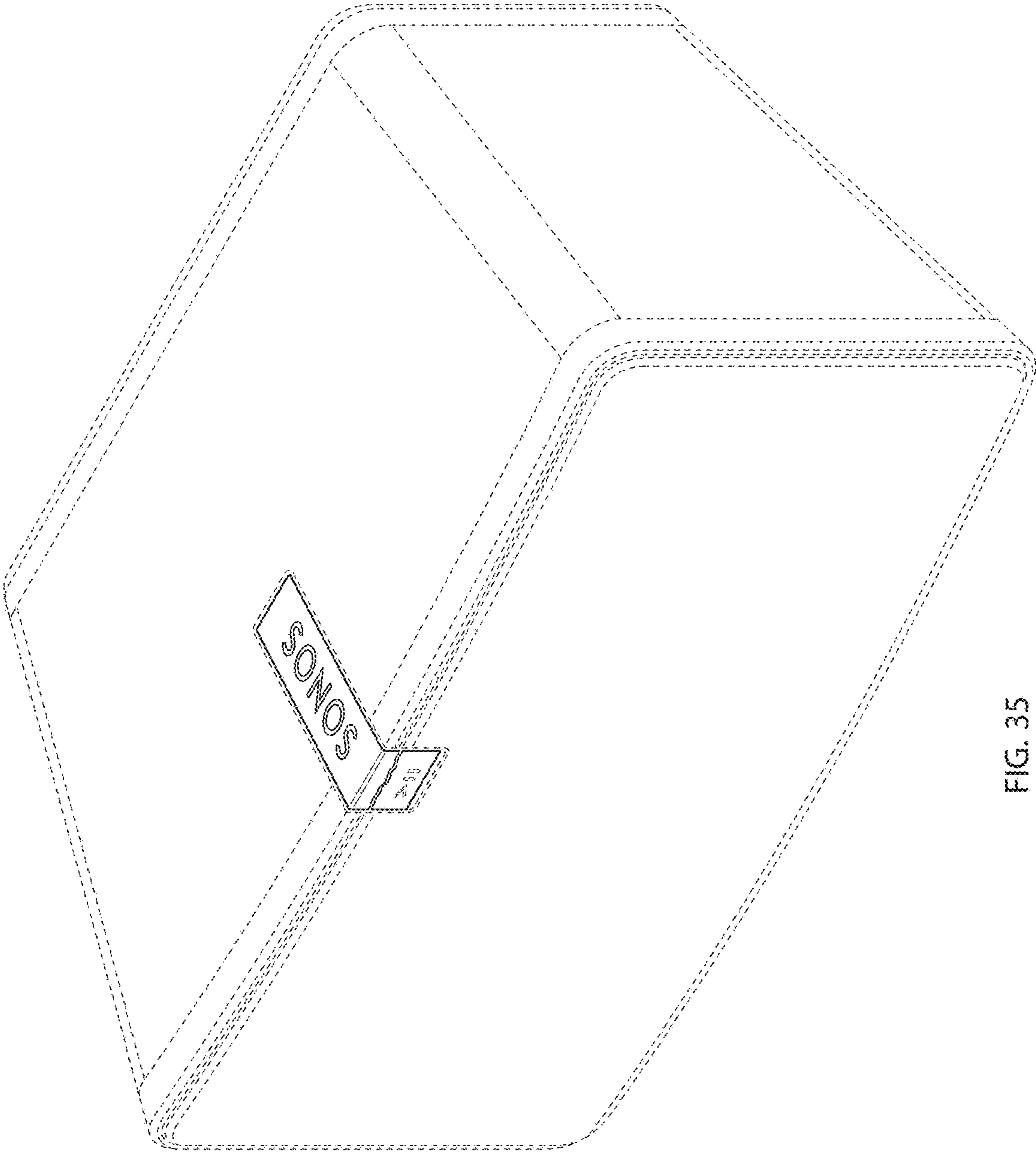


FIG. 35

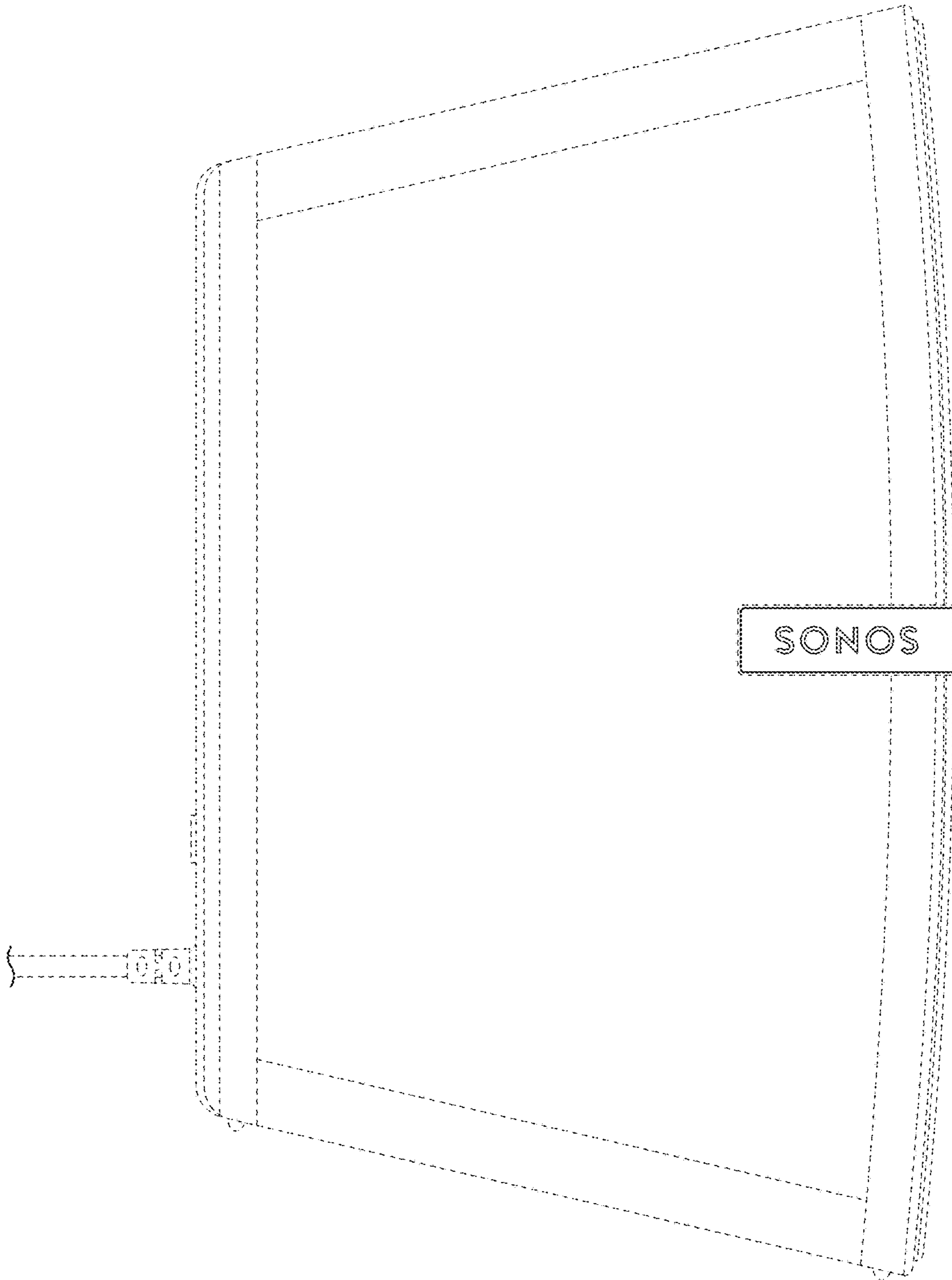


FIG. 36

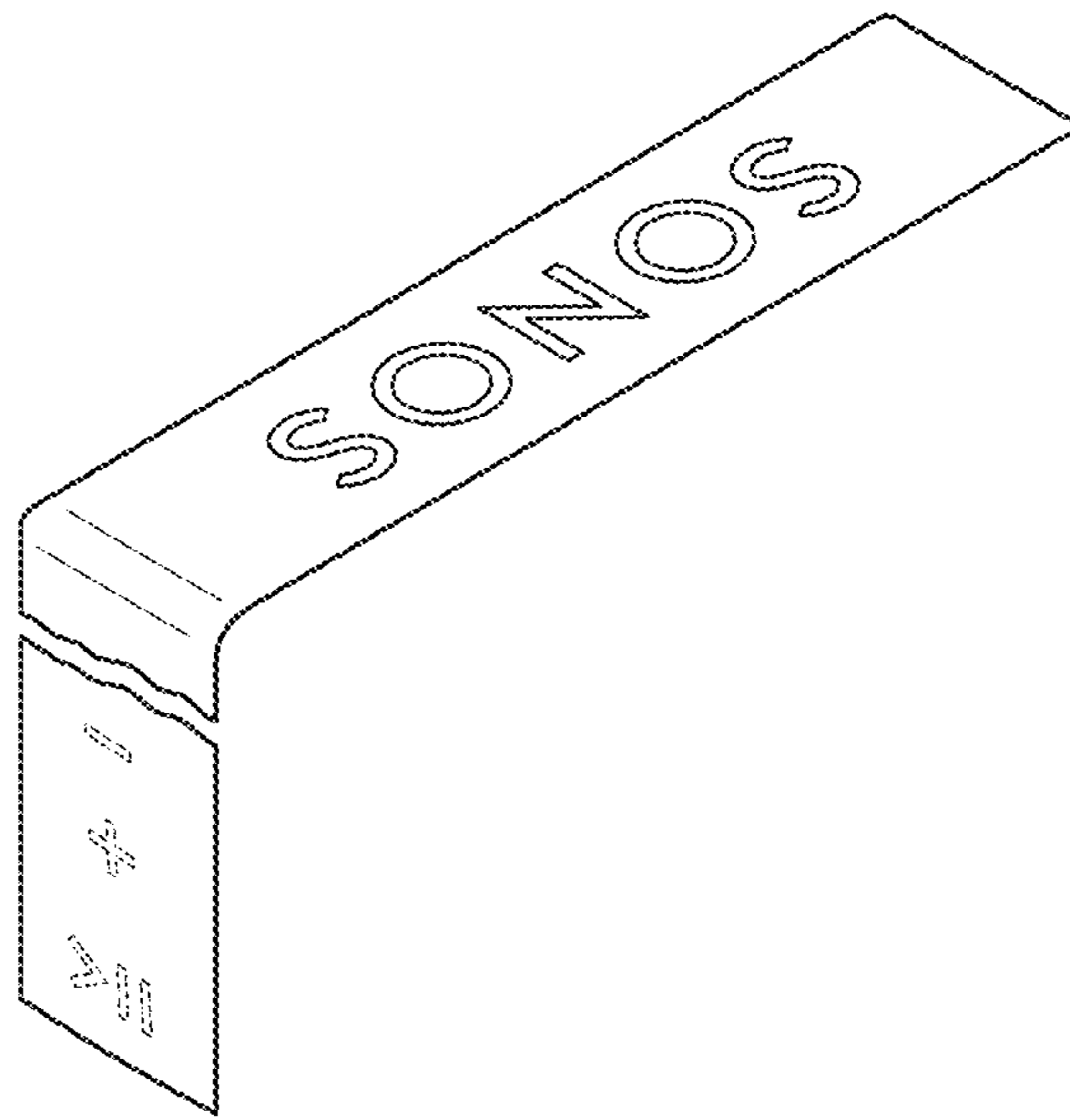


FIG. 37

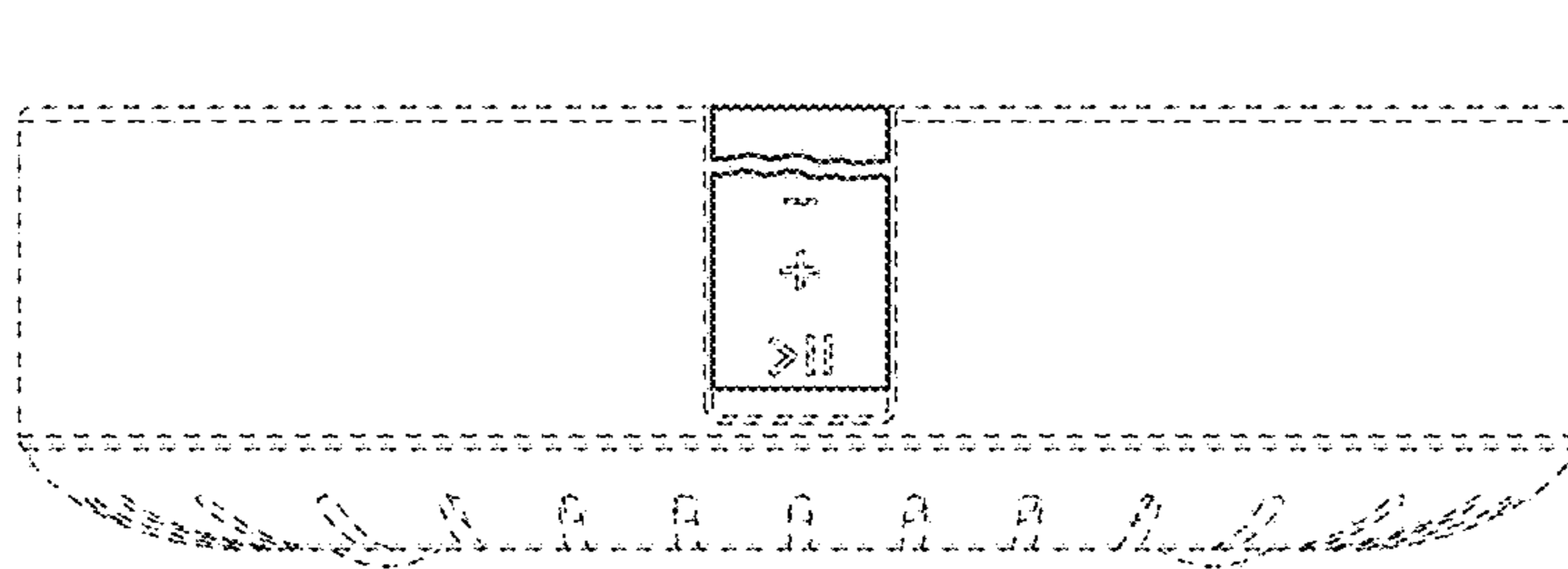


FIG. 38

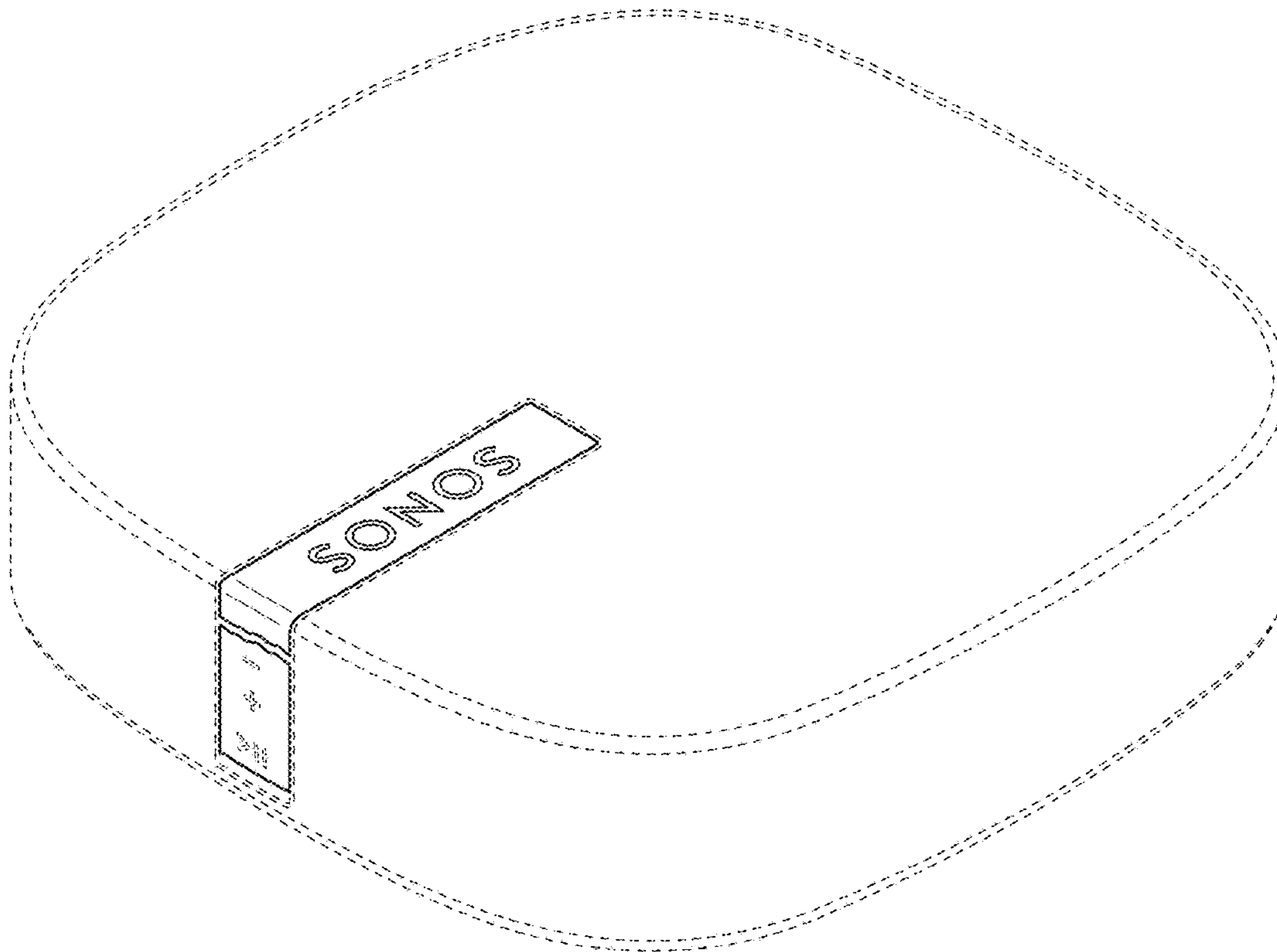


FIG. 39

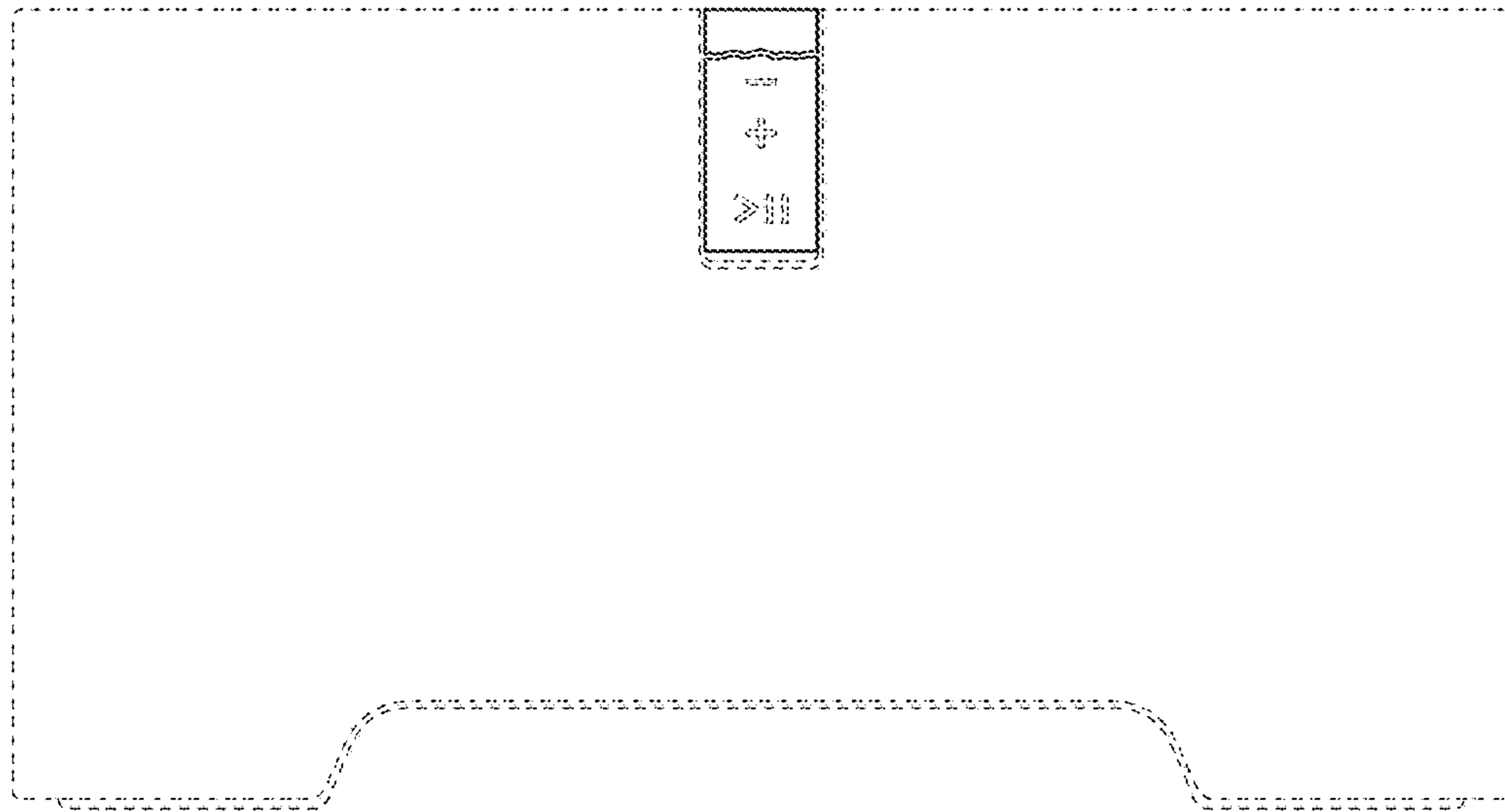


FIG. 40

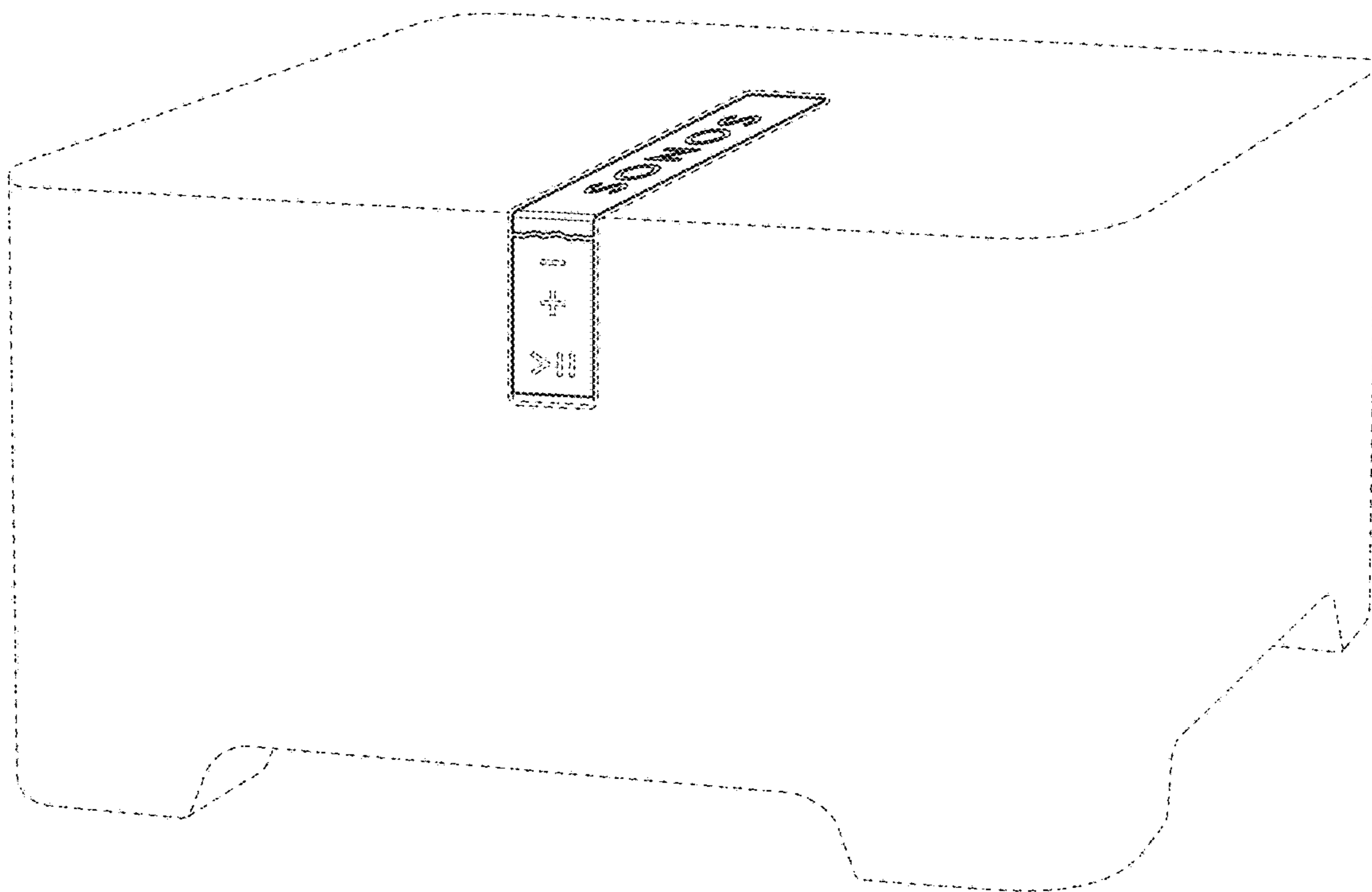


FIG. 41



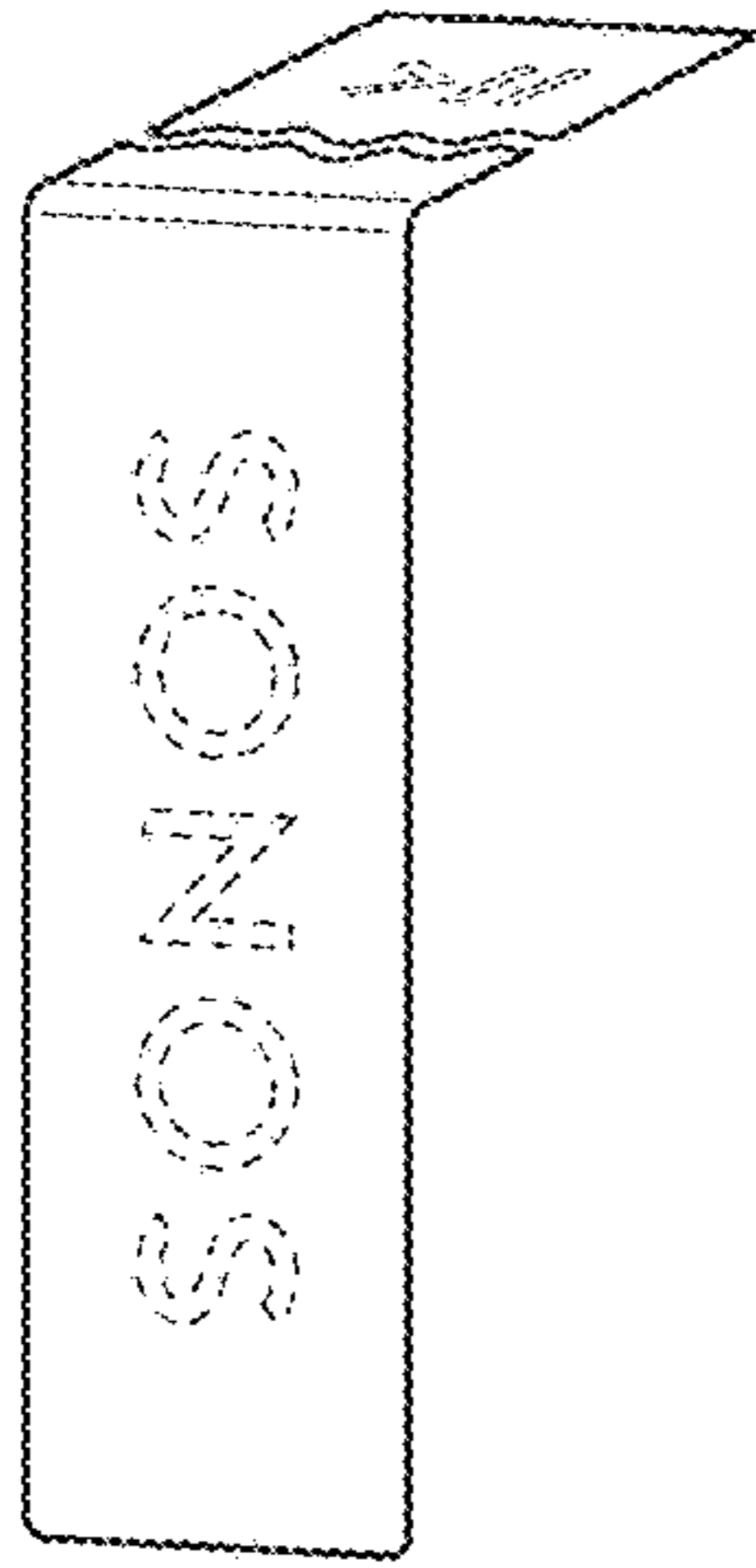


FIG. 42

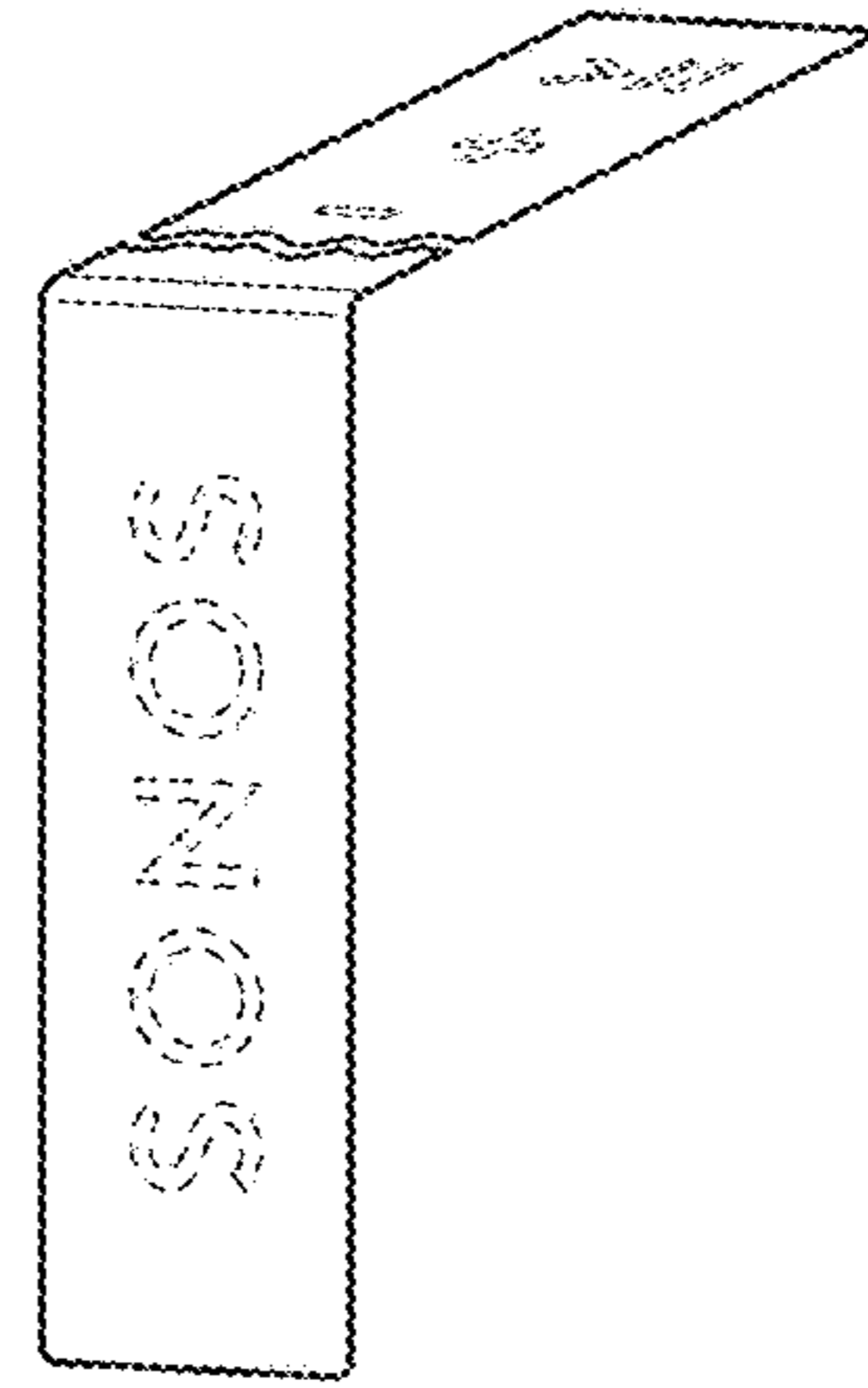


FIG. 43

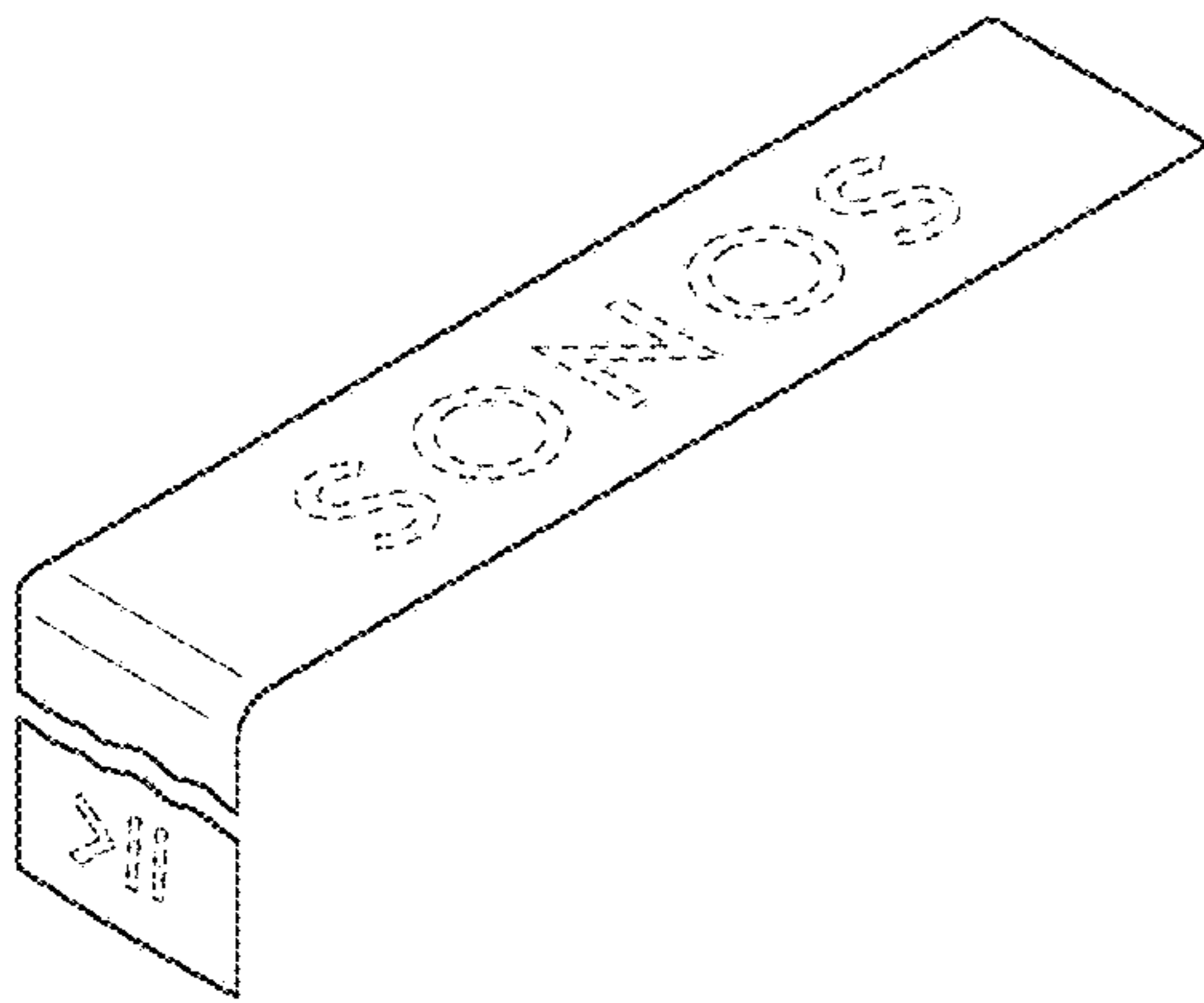


FIG. 44

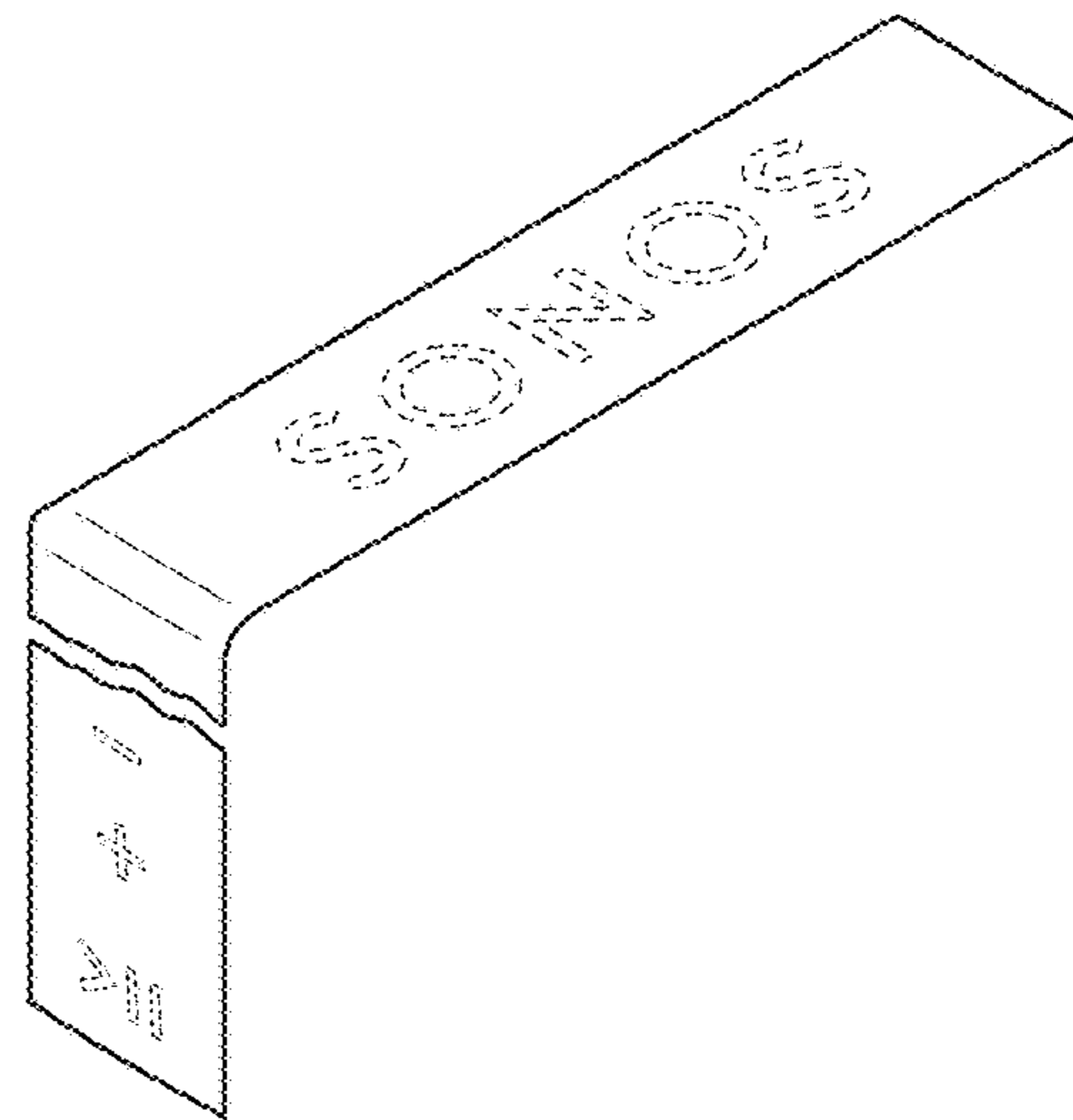


FIG. 45