

US00D789974S

(12) **United States Design Patent**  
**Guo et al.**

(10) **Patent No.:** **US D789,974 S**  
(45) **Date of Patent:** **\*\* Jun. 20, 2017**

(54) **DISPLAY SCREEN OR PORTION THEREOF WITH ANIMATED GRAPHICAL USER INTERFACE**

- (71) Applicant: **Xiaomi Inc.**, Beijing (CN)
- (72) Inventors: **Chong Guo**, Beijing (CN); **Xiaolong Chen**, Beijing (CN); **Xiaowei Hu**, Beijing (CN)
- (73) Assignee: **XIAOMI INC.**, Haidian District, Beijing (CN)
- (\*\*) Term: **14 Years**
- (21) Appl. No.: **29/496,877**
- (22) Filed: **Jul. 18, 2014**
- (51) **LOC (10) Cl.** ..... **14-04**
- (52) **U.S. Cl.**  
USPC ..... **D14/487; D14/488**
- (58) **Field of Classification Search**  
USPC ..... **D14/485-495**

(Continued)

(56) **References Cited**

**U.S. PATENT DOCUMENTS**

- D205,596 S \* 8/1966 Marti et al. .... 434/304
- D559,264 S \* 1/2008 Nijima ..... D14/490

(Continued)

**OTHER PUBLICATIONS**

Web page loading status icons isolated on white background, posted date Sep. 3, 2013, colourbox.com, Copyright © 2001-2016, site visited Feb. 23, 2016, Available from Internet, <<https://www.colourbox.com/vector/web-page-loading-status-icons-isolated-on-white-background-vector-7471338>>.\*

(Continued)

*Primary Examiner* — Cathron Brooks  
*Assistant Examiner* — Sharon S Oum

(74) *Attorney, Agent, or Firm* — Jun He Law Offices P.C.; James J. Zhu

(57) **CLAIM**

The ornamental design for a display screen or portion thereof with animated graphical user interface, as shown and described.

**DESCRIPTION**

FIG. 1 is a front view of a display screen or portion thereof with animated graphic user interface showing a first image in the sequence showing our new design;  
 FIG. 2 is a front view of a second image thereof;  
 FIG. 3 is a front view of a third image thereof;  
 FIG. 4 is a front view of a fourth image thereof;  
 FIG. 5 is a front view of a fifth image thereof;  
 FIG. 6 is a front view of a first image of a second embodiment thereof;  
 FIG. 7 is a front view of a second image of the second embodiment thereof;  
 FIG. 8 is a front view of a third image of the second embodiment thereof;  
 FIG. 9 is a front view of a fourth image of the second embodiment thereof;  
 FIG. 10 is a front view of a fifth image of the second embodiment thereof;  
 FIG. 11 is a front view of a first image of a third embodiment thereof;  
 FIG. 12 is a front view of a second image of the third embodiment thereof;  
 FIG. 13 is a front view of a third image of the third embodiment thereof;  
 FIG. 14 is a front view of a fourth image of the third embodiment thereof;  
 FIG. 15 is a front view of a fifth image of the third embodiment thereof;  
 FIG. 16 is a front view of a first image of a fourth embodiment thereof;  
 FIG. 17 is a front view of a second image of the fourth embodiment thereof;  
 FIG. 18 is a front view of a third image of the fourth embodiment thereof;

(Continued)

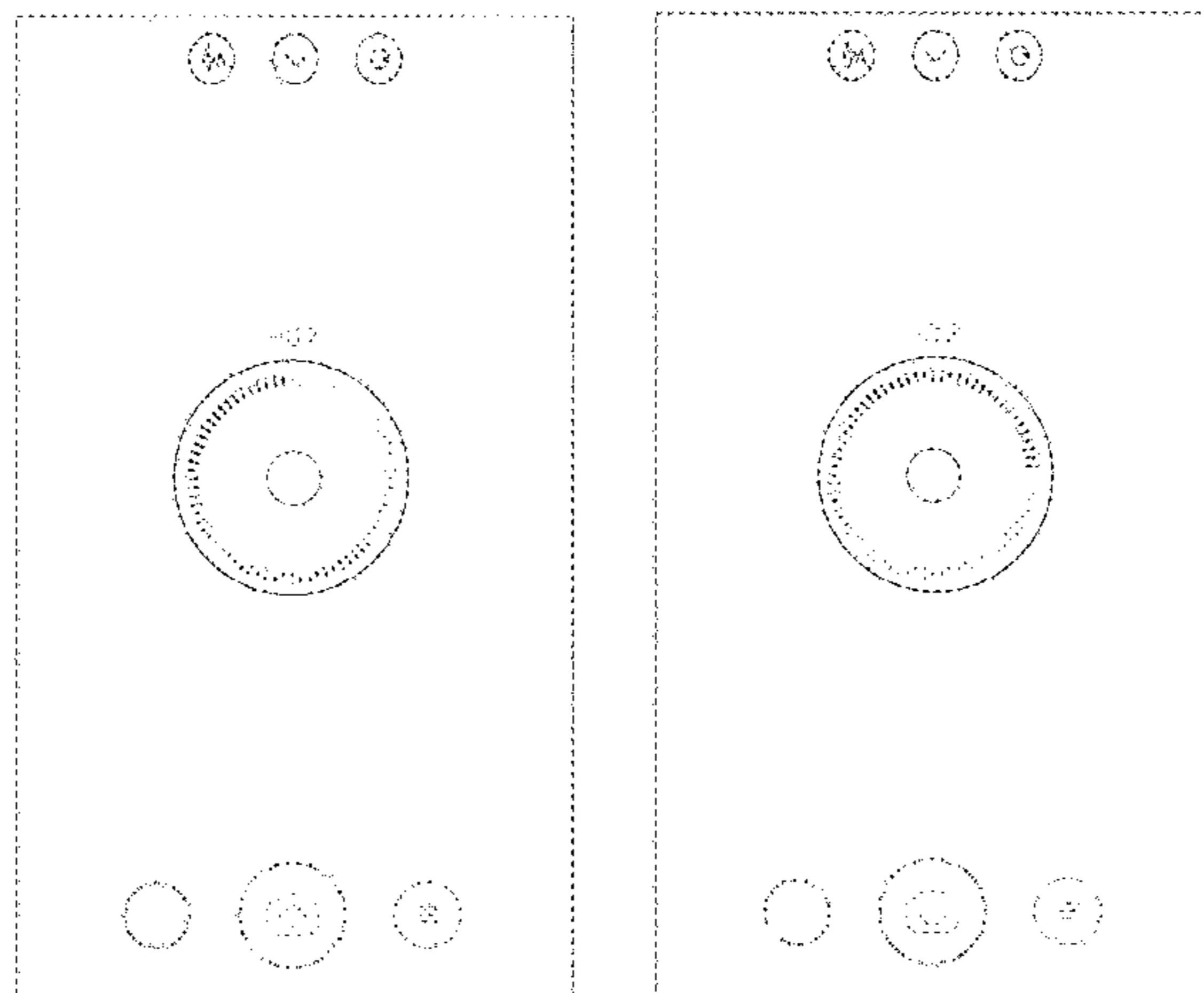


FIG. 19 is a front view of a fourth image of the fourth embodiment thereof; and,

FIG. 20 is a front view of a fifth image of the fourth embodiment thereof.

The outer broken lines illustrate a display screen or portion thereof, and form no part of the claimed design. The remaining broken lines and dotted lines illustrate portions of the graphical user interface, and form no part of the claimed design. All of the small fading bars arranged in a circle form part of the claimed design.

The appearance of the transitional image sequentially transitions between the images shown in FIGS. 1-5, FIGS. 6-10, FIGS. 11-15, and FIGS. 16-20, respectively.

**1 Claim, 20 Drawing Sheets**

(58) **Field of Classification Search**

CPC ..... G06F 3/04847; G06F 1/1692  
See application file for complete search history.

(56) **References Cited**

U.S. PATENT DOCUMENTS

D568,770	S	*	5/2008	Tseng	.....	D10/103
D588,151	S	*	3/2009	Okada	.....	D14/488
D599,814	S	*	9/2009	Ogura	.....	D14/489
D636,780	S	*	4/2011	Musleh	.....	D14/486
D644,661	S	*	9/2011	Gardner	.....	D14/495
D652,841	S	*	1/2012	Arnold	.....	D14/488
D669,497	S	*	10/2012	Lee	.....	D14/489
D669,499	S	*	10/2012	Gardner	.....	D14/495
D677,278	S	*	3/2013	Wujcik	.....	D14/491
D687,057	S	*	7/2013	Plitkins	.....	D14/488
D689,505	S	*	9/2013	Convay	.....	D14/485
D690,720	S	*	10/2013	Waldman	.....	D14/485
D697,928	S	*	1/2014	Okumura	.....	D14/486
D698,363	S	*	1/2014	Asai	.....	D14/488
D699,750	S	*	2/2014	Pearson	.....	D14/488
D700,207	S	*	2/2014	Pearson	.....	D14/488
D706,283	S	*	6/2014	Pedraza Padilla	.....	D14/485
D708,221	S	*	7/2014	Danton	.....	D14/492
D713,412	S	*	9/2014	Gall	.....	D14/485
D714,811	S	*	10/2014	Kim	.....	D14/485
D716,325	S	*	10/2014	Brudnicki	.....	D14/486

D723,050	S	*	2/2015	Minsung	.....	D14/486
D724,618	S	*	3/2015	Shin	.....	D14/487
D724,621	S	*	3/2015	Rydenhag	.....	D14/489
D727,336	S	*	4/2015	Allison	.....	D14/485
D732,076	S	*	6/2015	Kim	.....	D14/491
D736,780	S	*	8/2015	Wang	.....	D14/485
D737,278	S	*	8/2015	Shin	.....	D14/485
D737,855	S	*	9/2015	Hastings	.....	D14/495
D739,414	S	*	9/2015	Lim	.....	D14/485
D739,872	S	*	9/2015	Bang	.....	D14/488
D741,898	S	*	10/2015	Soegiono	.....	D14/488
D742,897	S	*	11/2015	Matas	.....	D14/485
D744,535	S	*	12/2015	Shin	.....	D14/489
D745,015	S	*	12/2015	Wang	.....	D14/485
D745,046	S	*	12/2015	Shin	.....	D14/489
D751,090	S	*	3/2016	Hu	.....	D14/485
D753,678	S	*	4/2016	Clarke	.....	D14/485
D755,200	S	*	5/2016	Bobrovnichiy	.....	D14/485
D757,746	S	*	5/2016	Lee	.....	D14/485
D760,745	S	*	7/2016	Rawlins	.....	D14/485
D761,277	S	*	7/2016	Harvell	.....	D14/485
D761,846	S	*	7/2016	Moon	.....	D14/488
D762,673	S	*	8/2016	Seo	.....	D14/485
2011/0037777	A1	*	2/2011	Lindahl	.....	G06F 1/1626 345/619
2011/0271186	A1	*	11/2011	Owens	.....	G06F 3/04847 715/716
2014/0160078	A1	*	6/2014	Seo	.....	G06F 3/017 345/175
2015/0067606	A1	*	3/2015	Everette	.....	G06F 3/0482 715/834
2015/0248235	A1	*	9/2015	Offenberg	.....	G06F 3/04886 715/773

OTHER PUBLICATIONS

Xiaomi Mi 4 camera spotlight, posted date Jul. 22, 2014, phonearena.com, Copyright © 2001-2016, site visited Feb. 23, 2016, Available from Internet, <[http://www.phonearena.com/news/Xiaomi-Mi-4-camera-spotlight-one-of-the-first-with-Sonys-new-13-megapixel-IMX214-sensor-demo-images-show-it-off\\_id58484](http://www.phonearena.com/news/Xiaomi-Mi-4-camera-spotlight-one-of-the-first-with-Sonys-new-13-megapixel-IMX214-sensor-demo-images-show-it-off_id58484)>.\*

Video Tutorial: Circle Loading Animation, posted date Feb. 20, 2014, youtube.com, Copyright © 2001-2016, site visited Feb. 23, 2016, Available from Internet, <<https://www.youtube.com/watch?v=hqKOec1z5ko>>.\*

\* cited by examiner

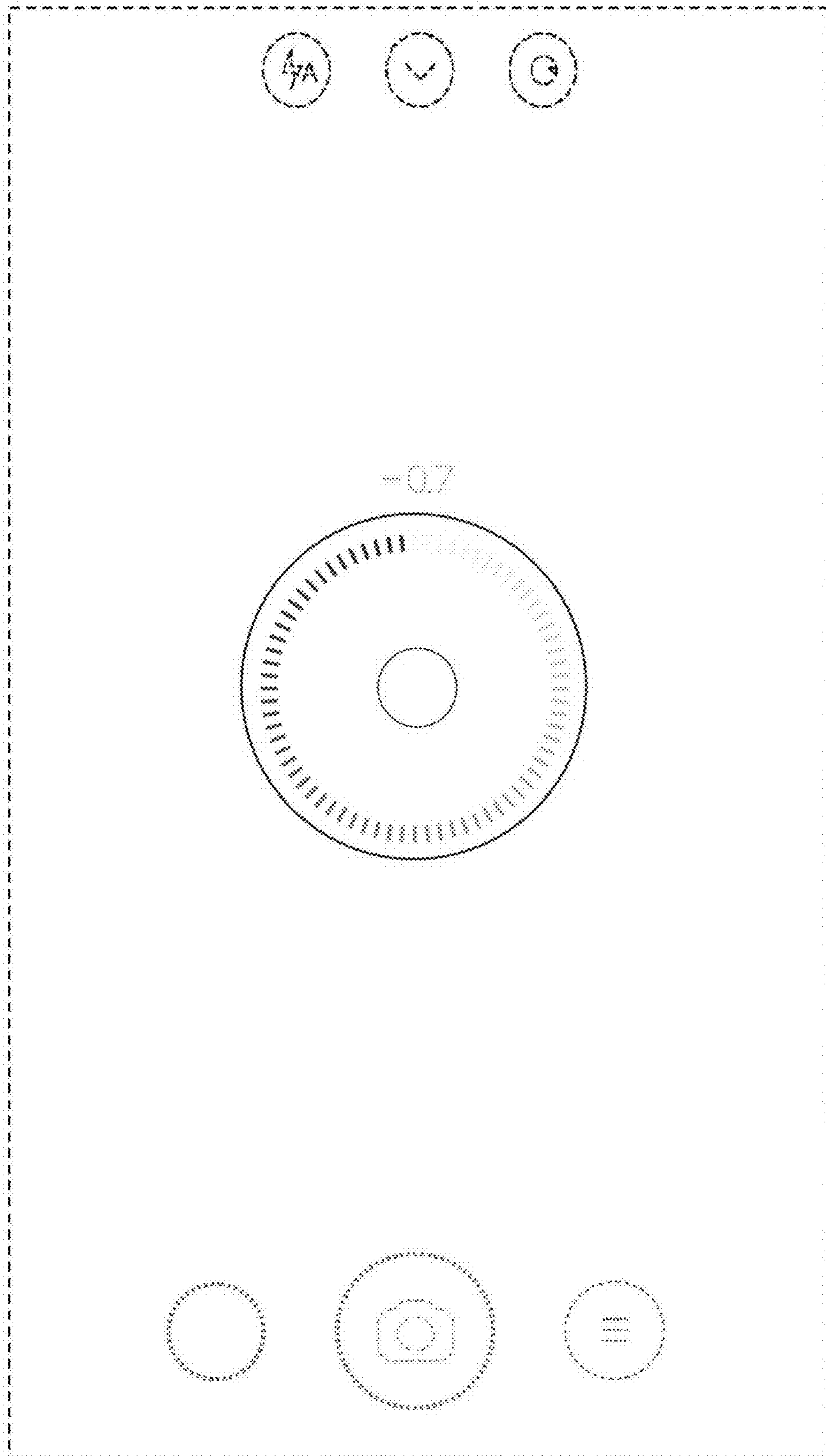


FIG. 1



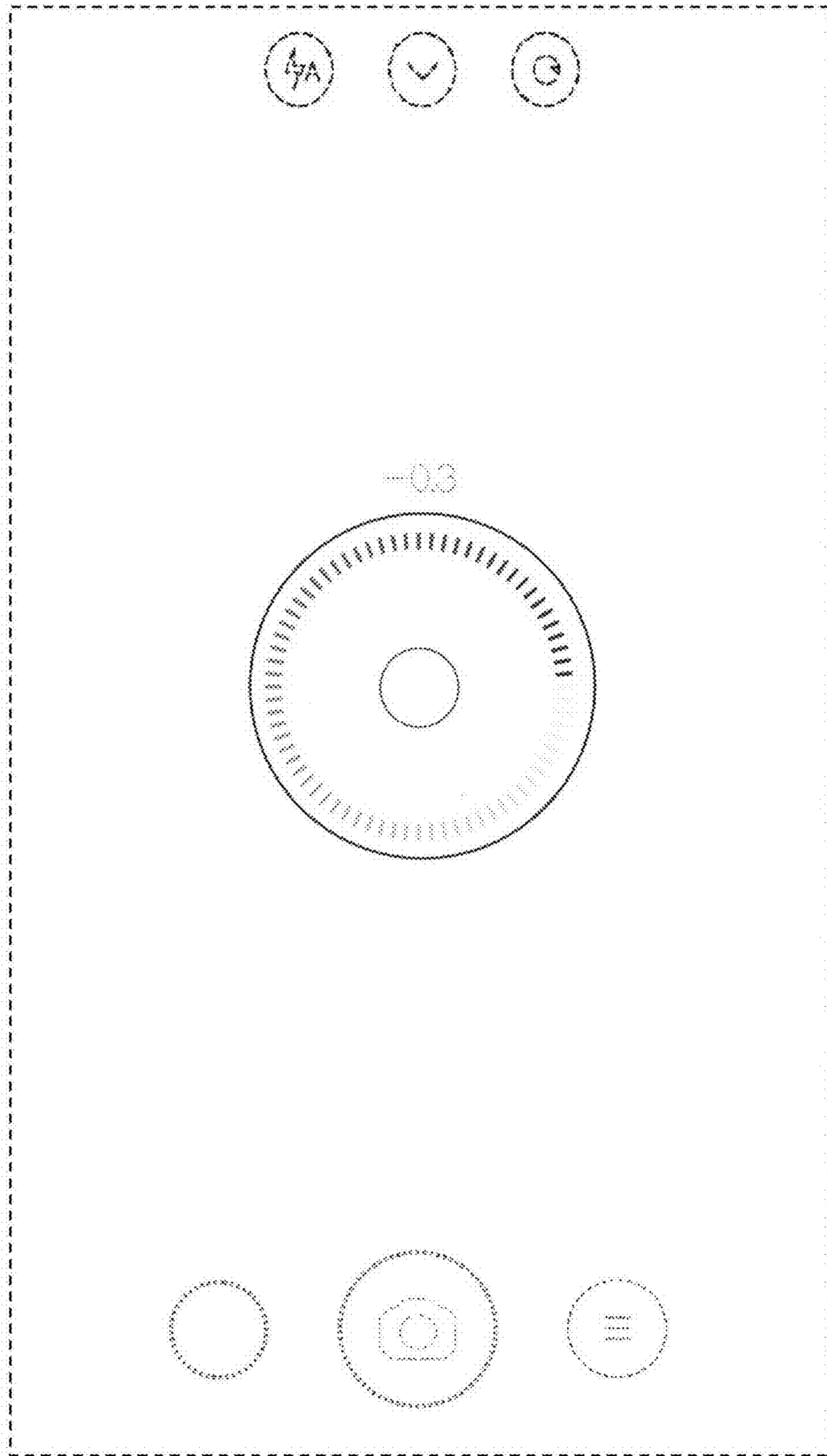


FIG. 2

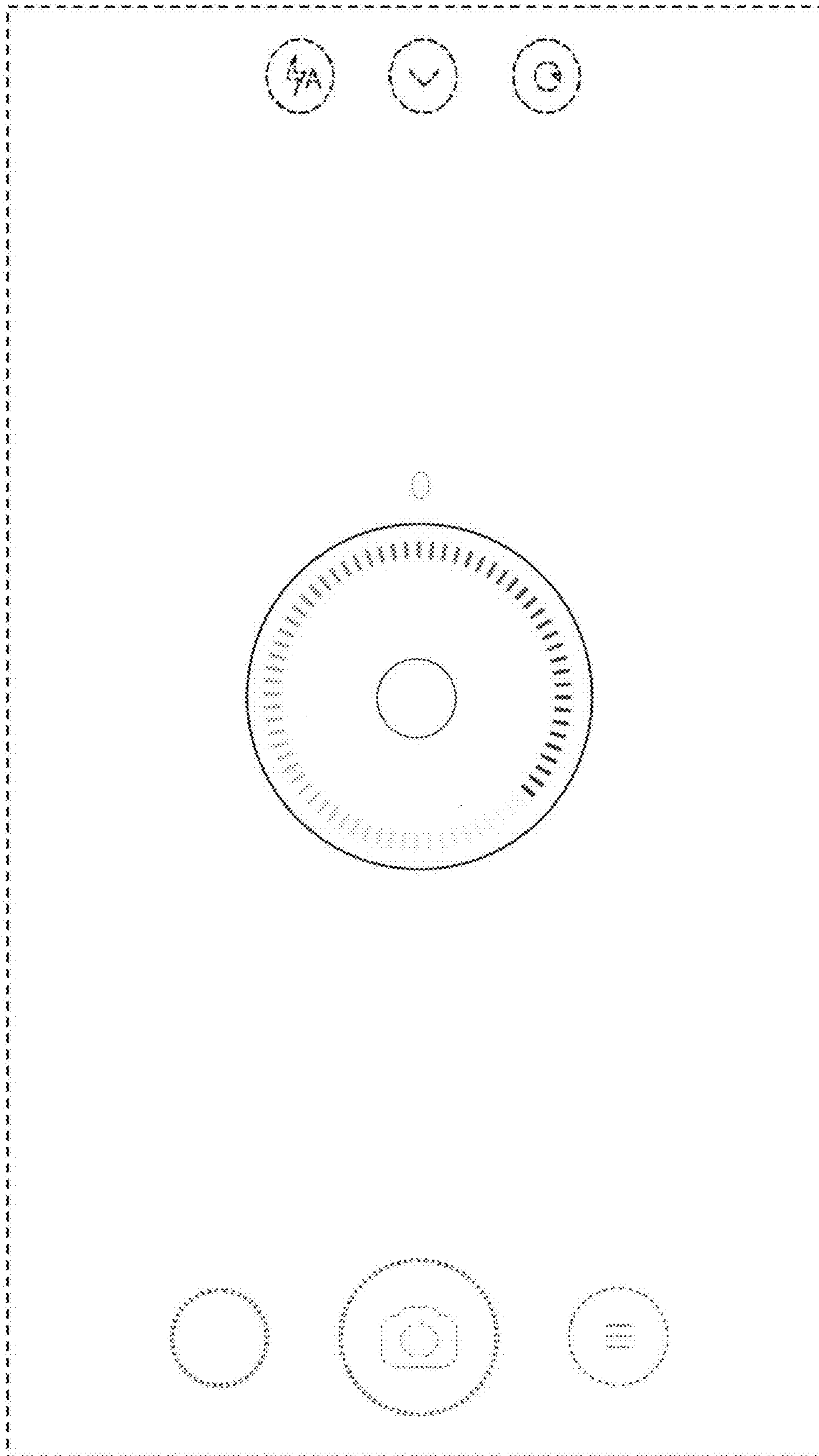


FIG.3

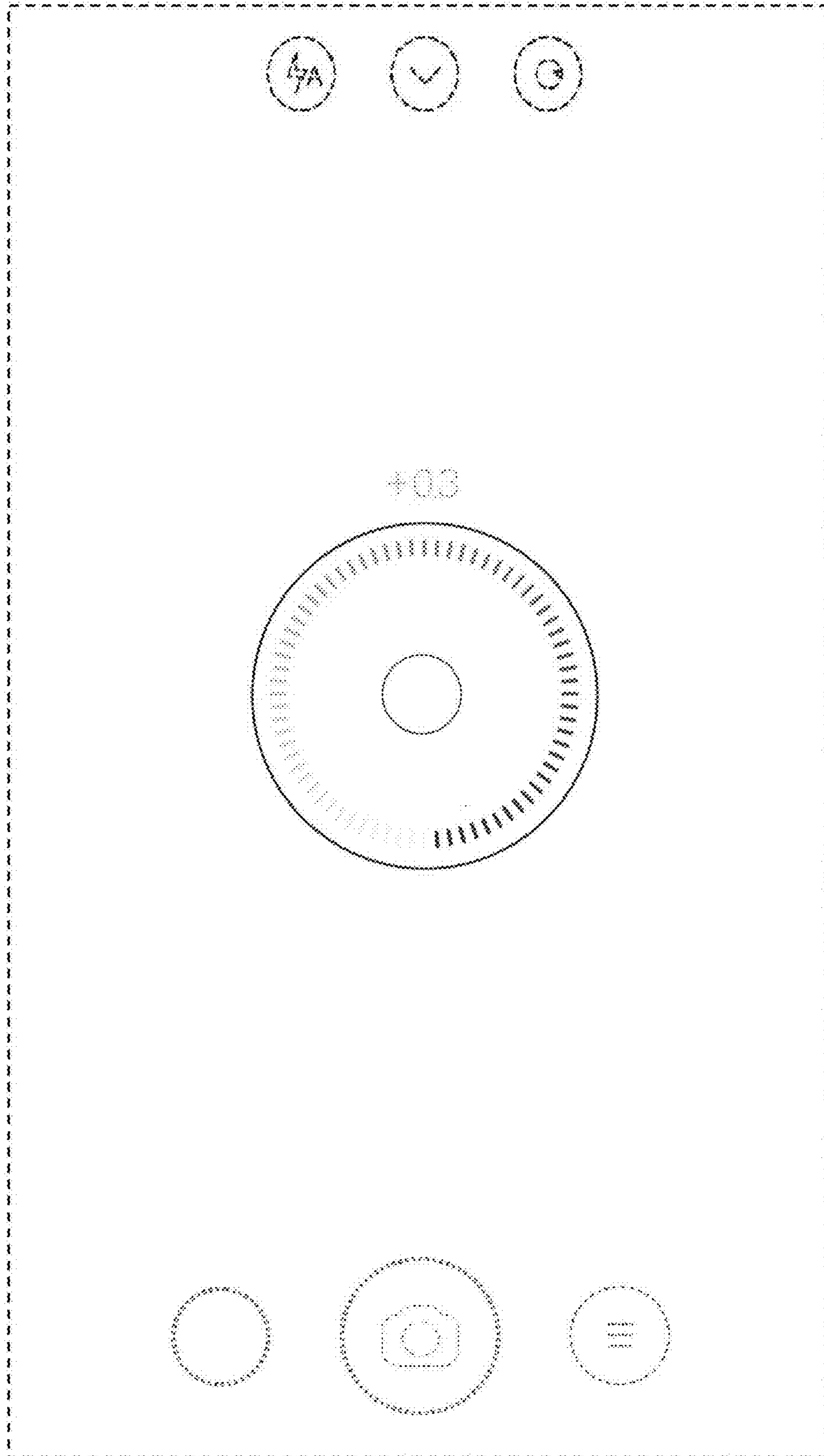


FIG.4

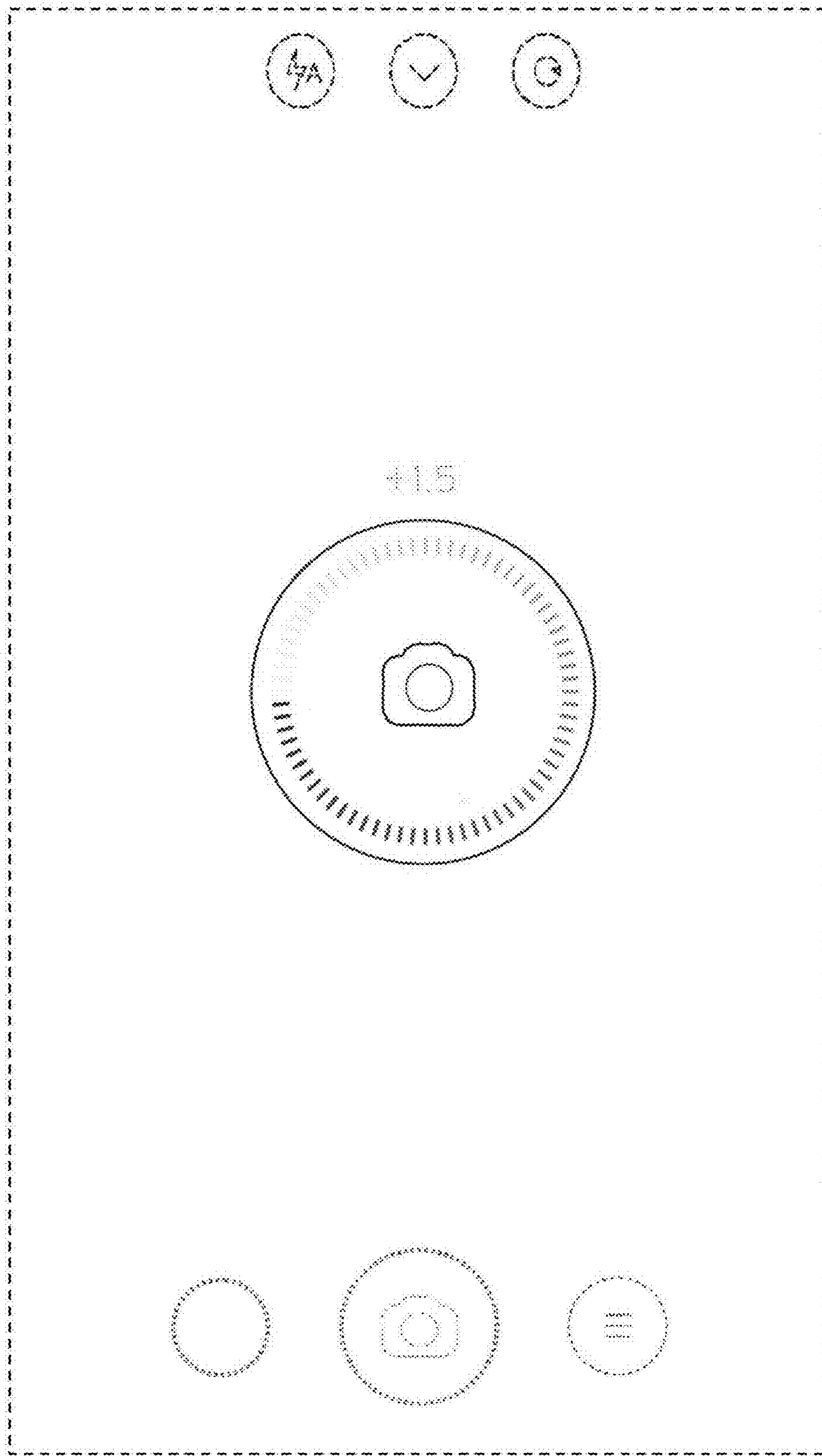


FIG. 5

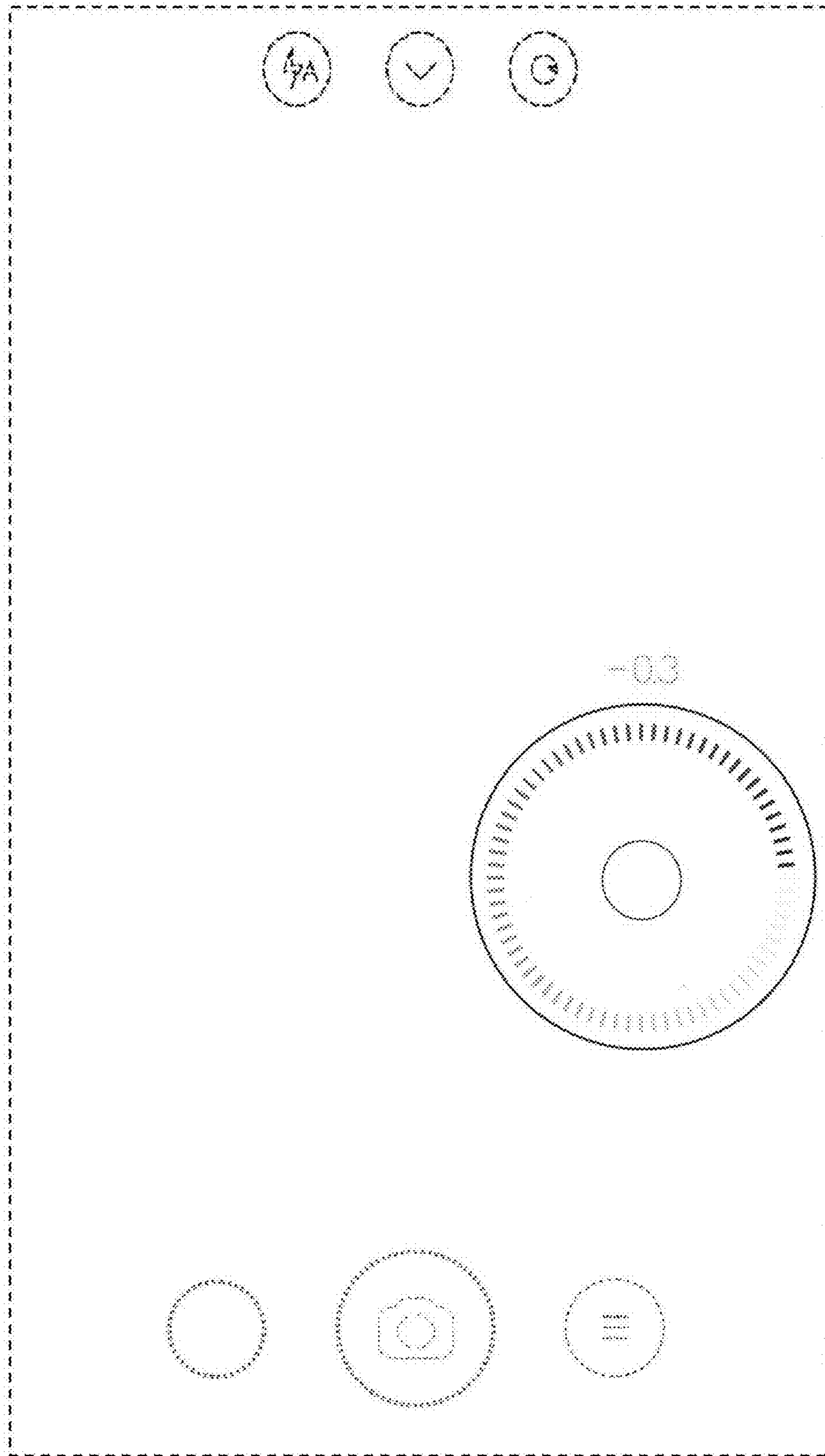


FIG.6



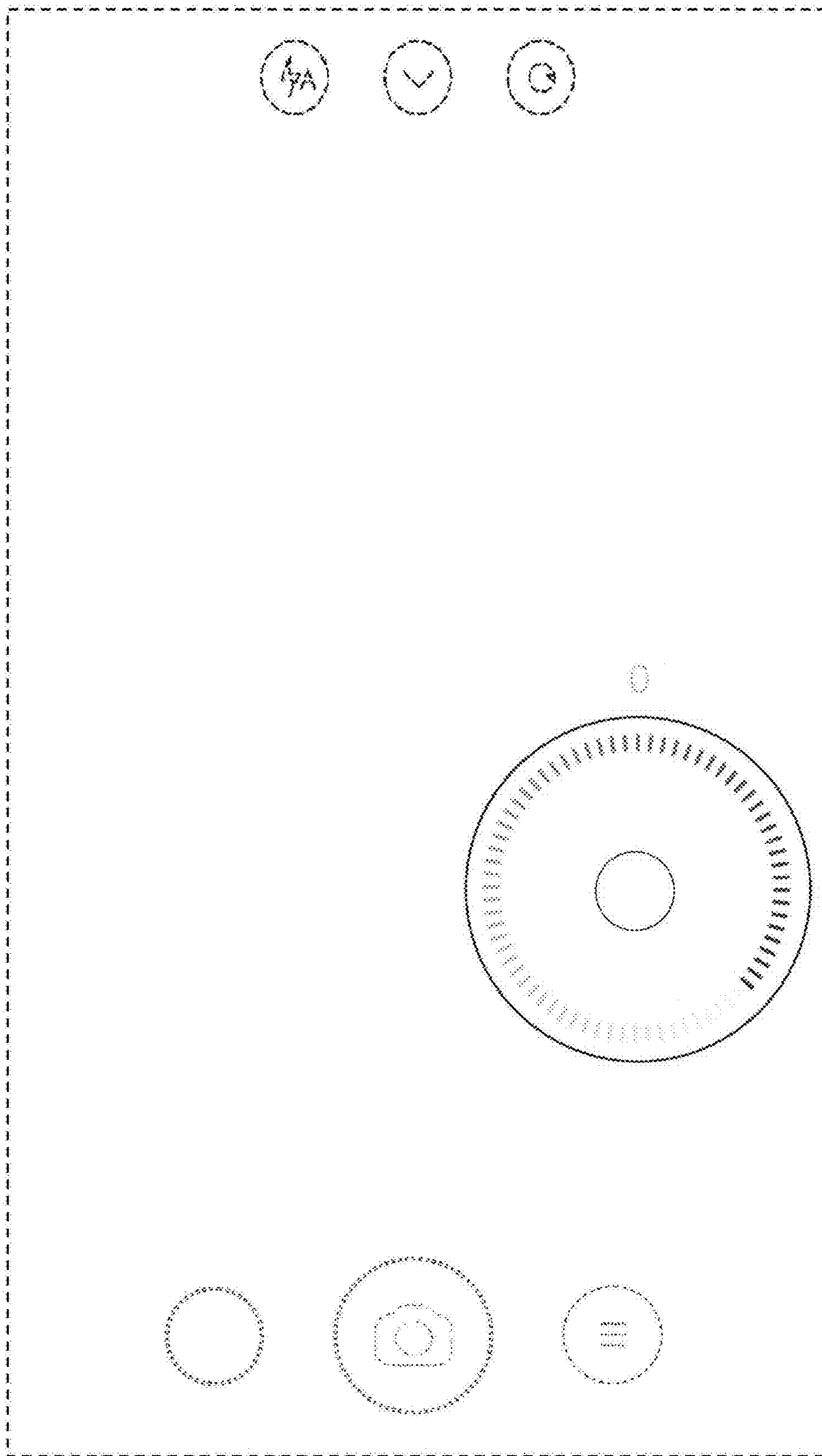


FIG. 7

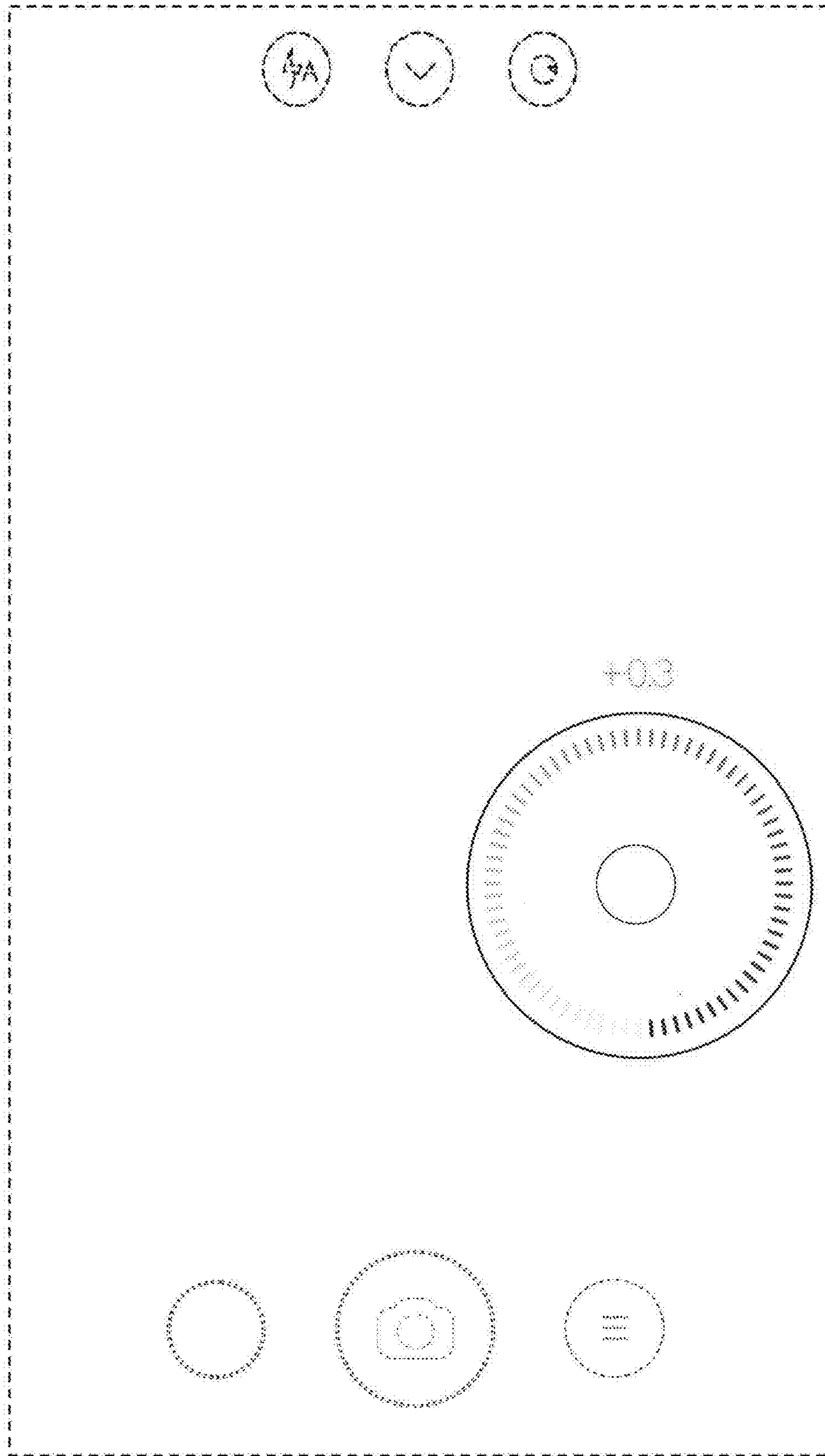


FIG.8

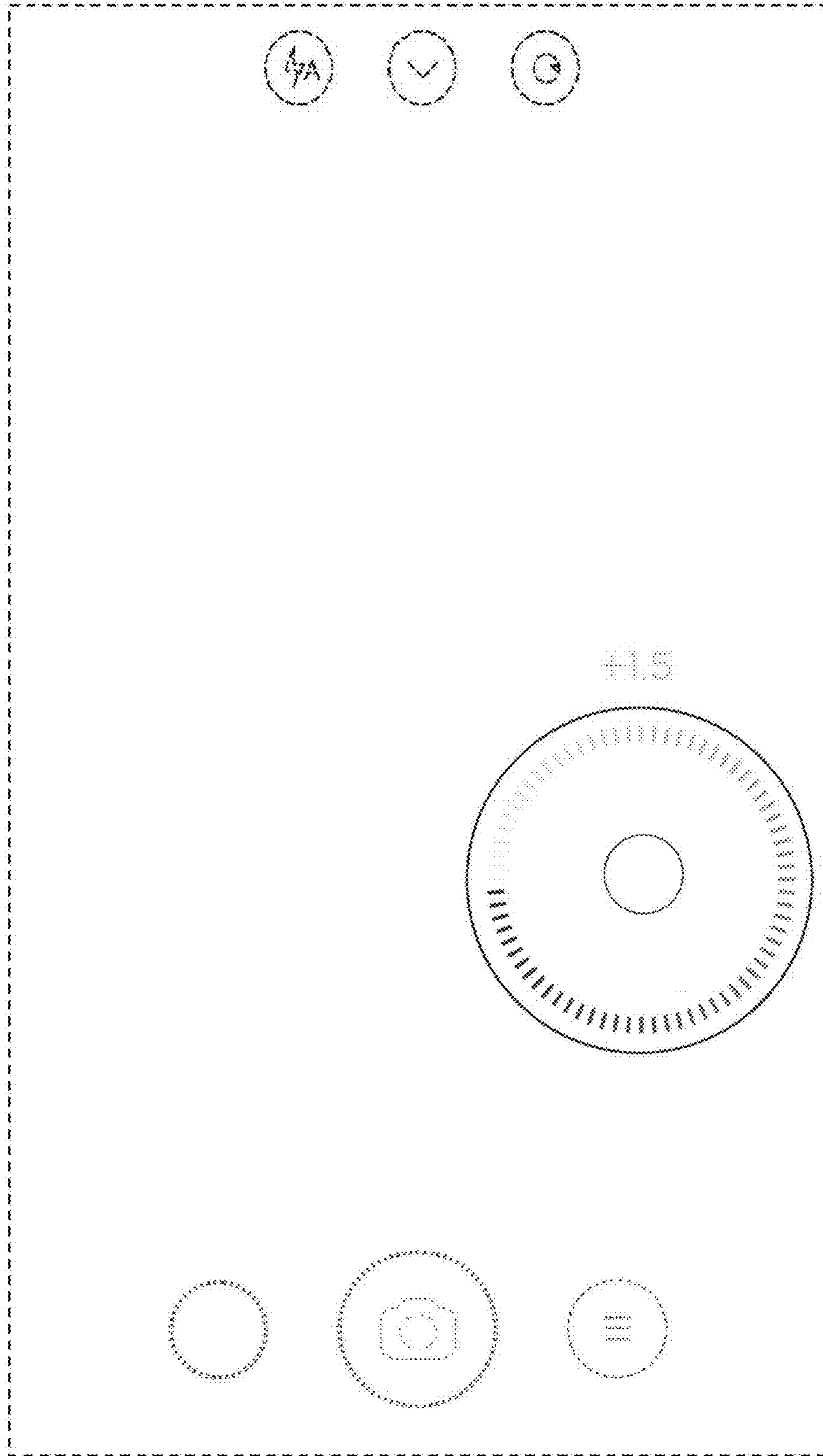


FIG.9

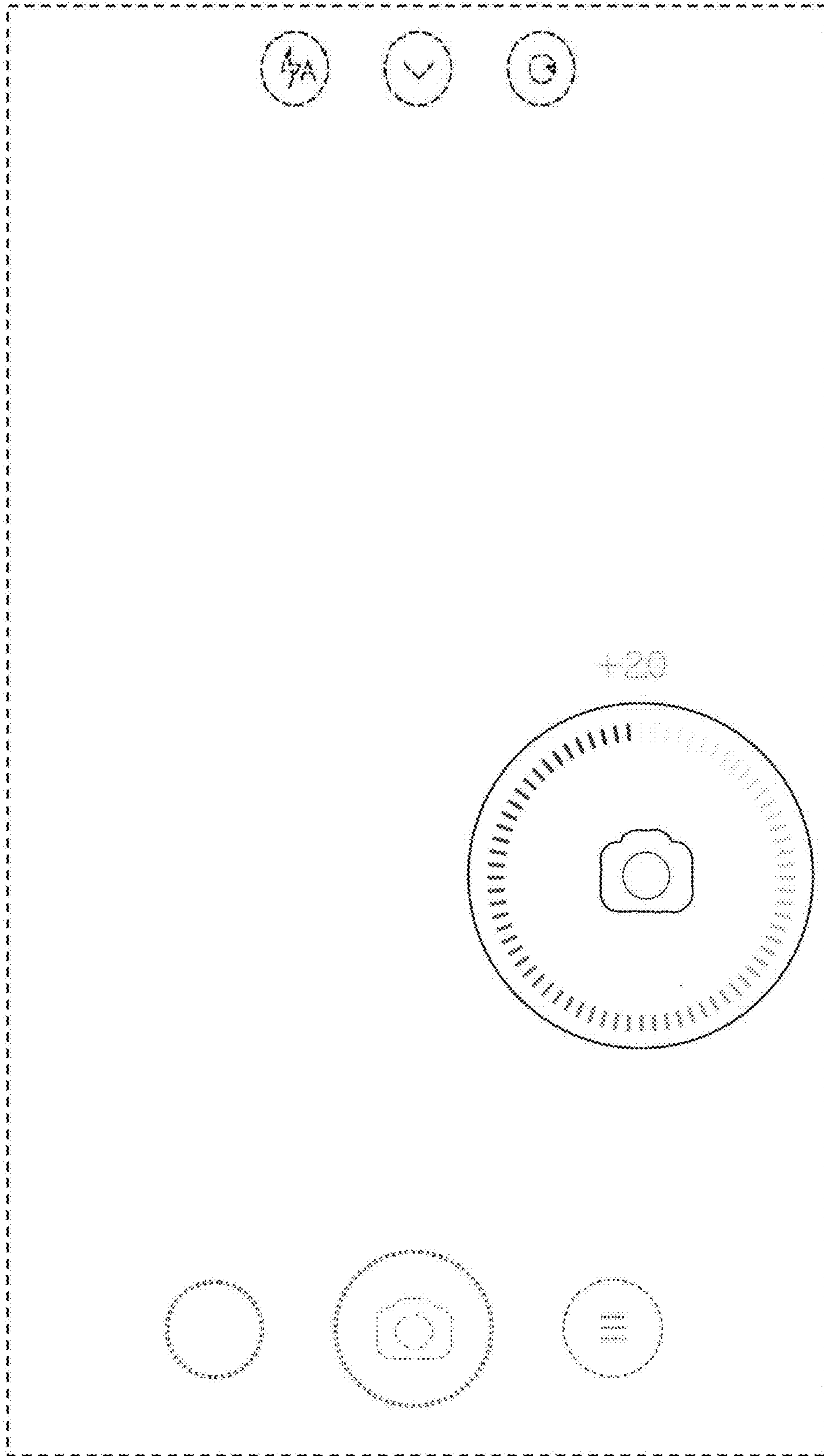


FIG. 10



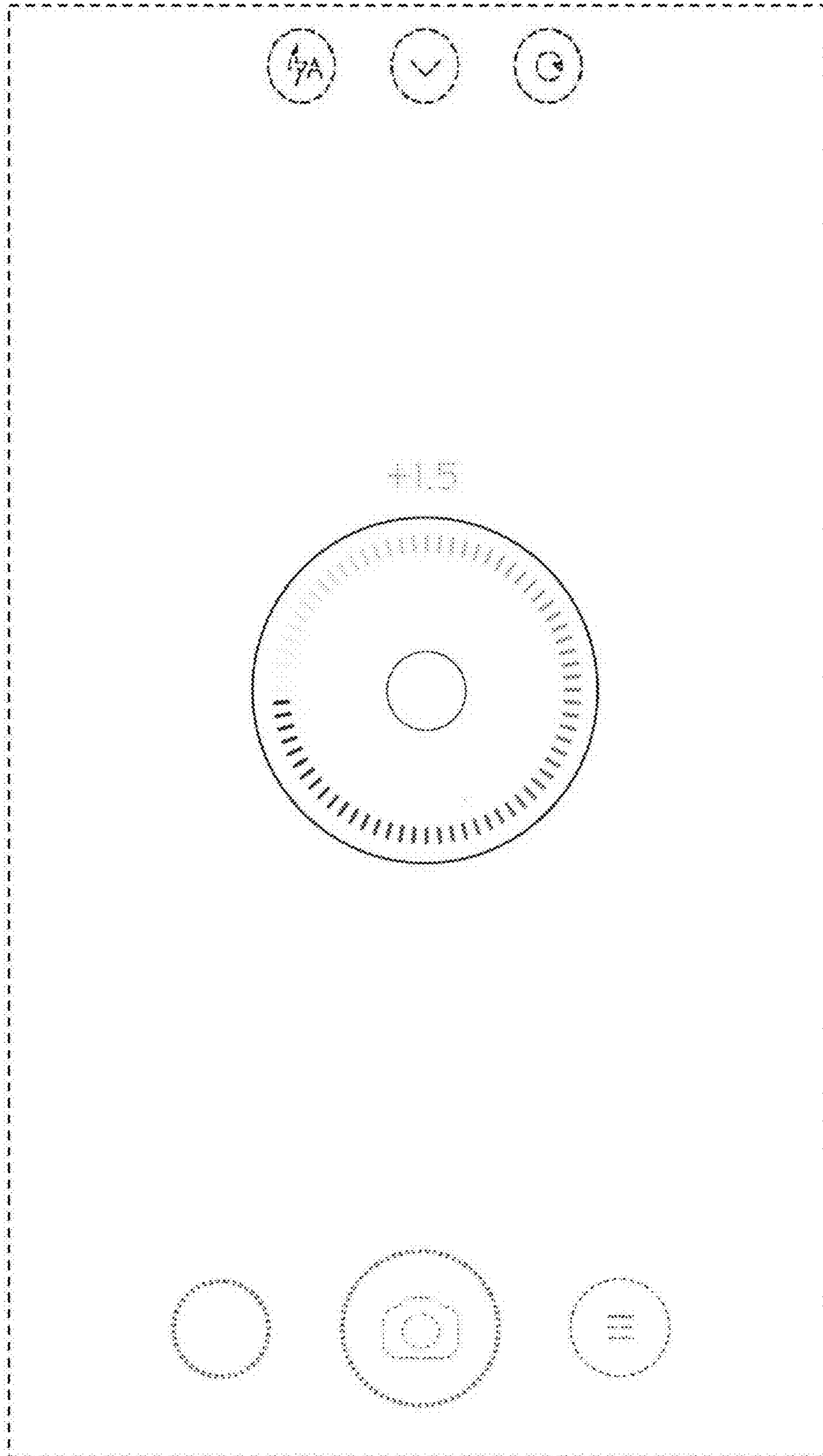


FIG. 11

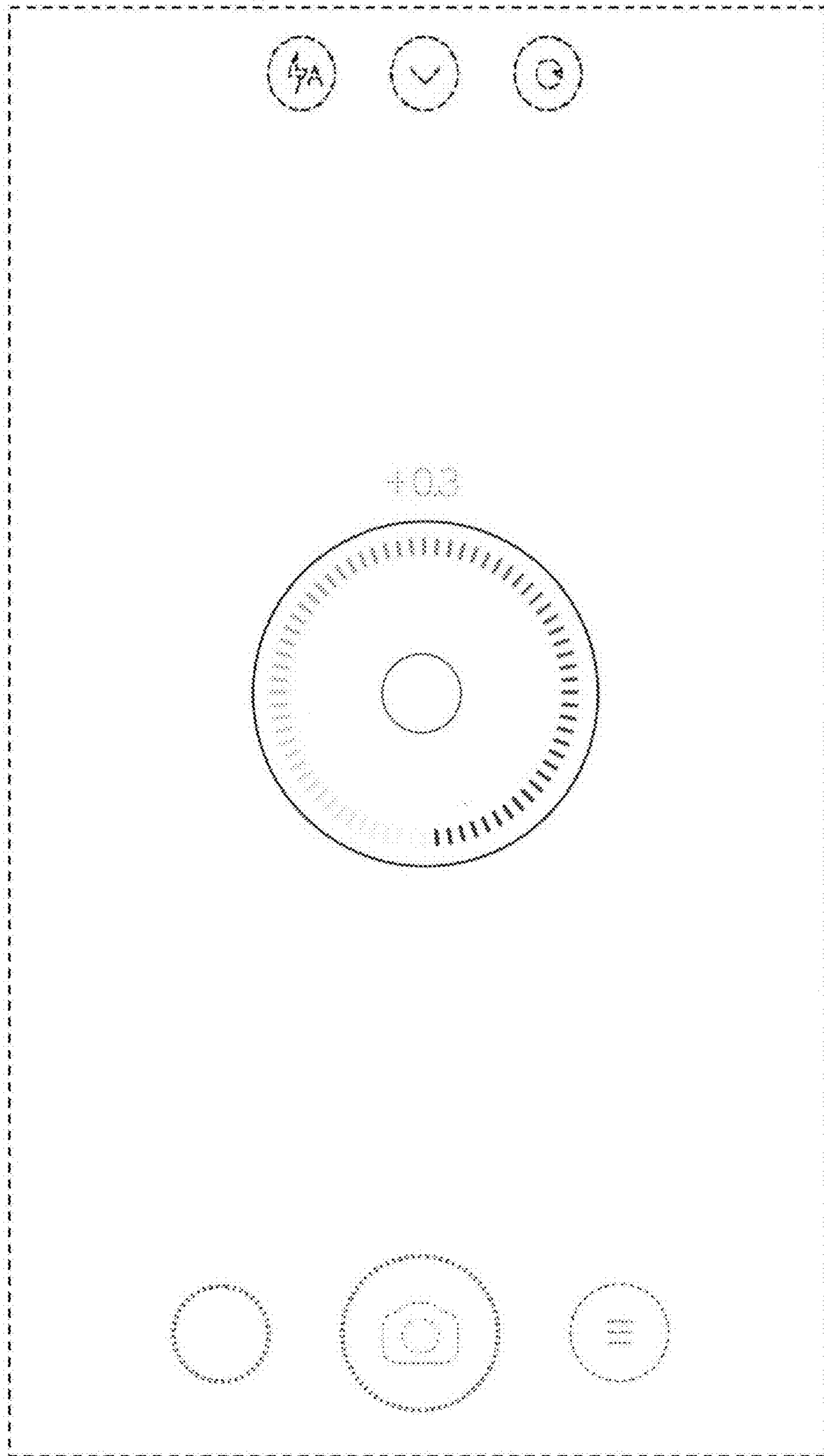


FIG.12

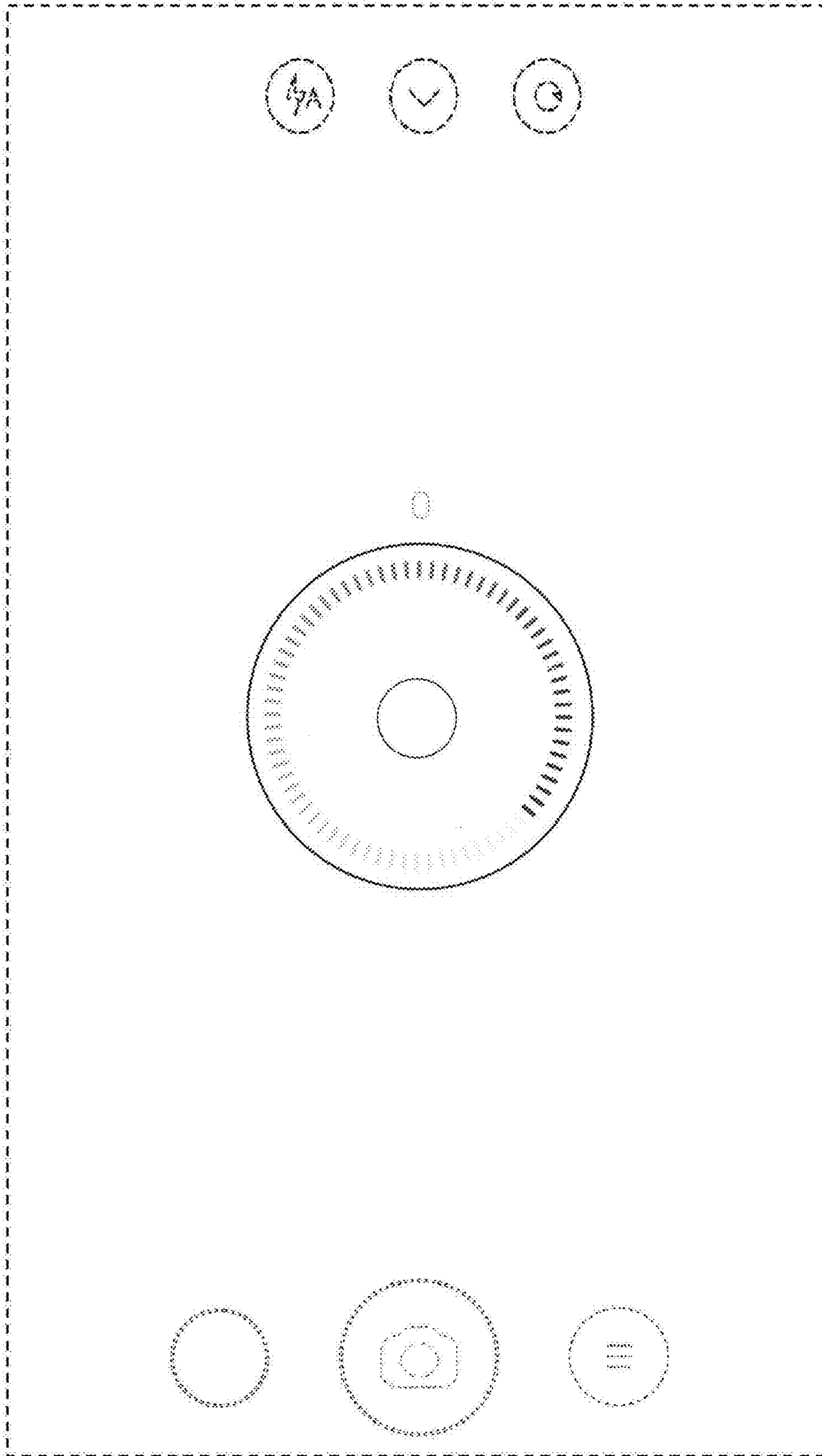


FIG.13

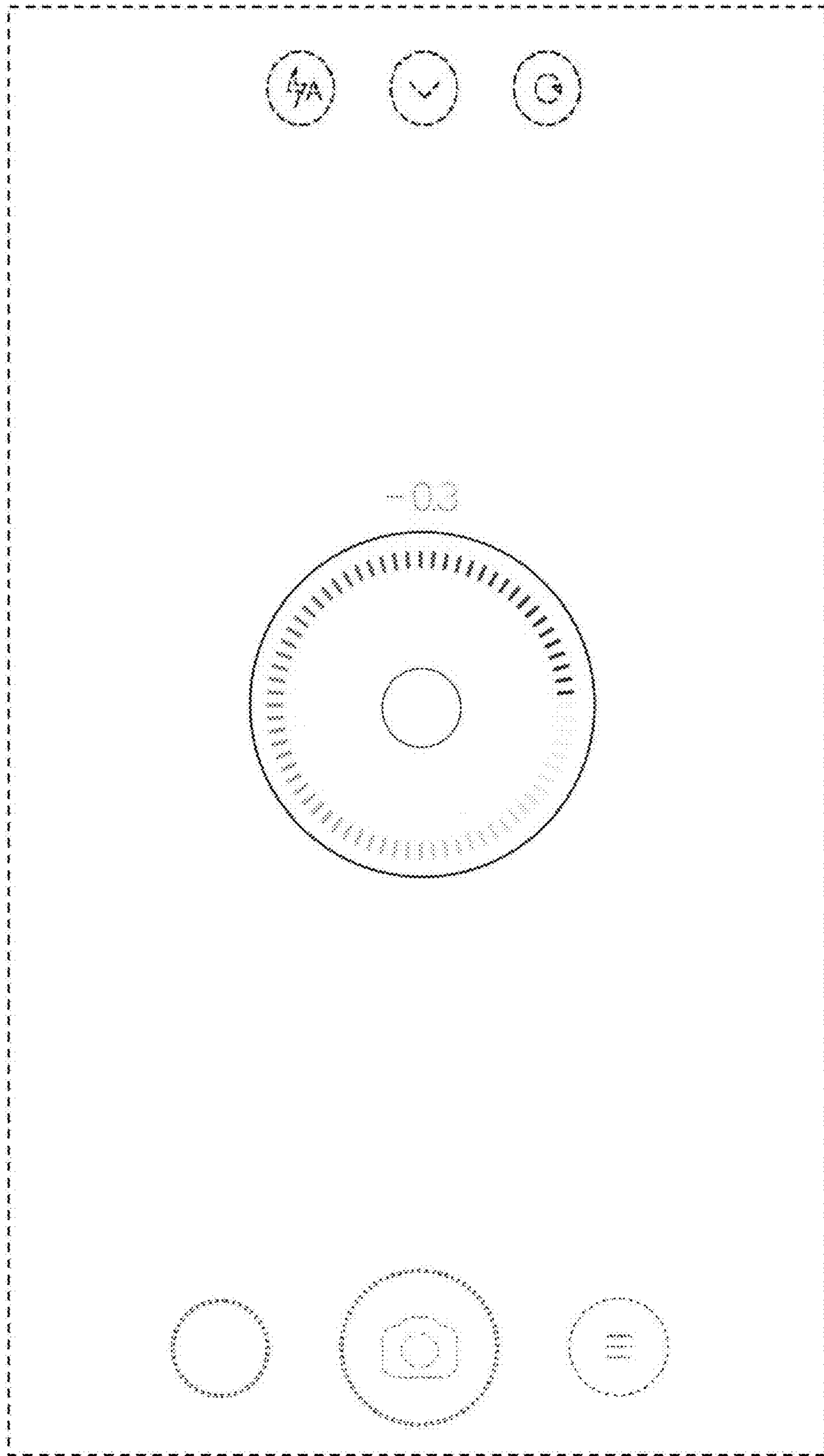


FIG. 14



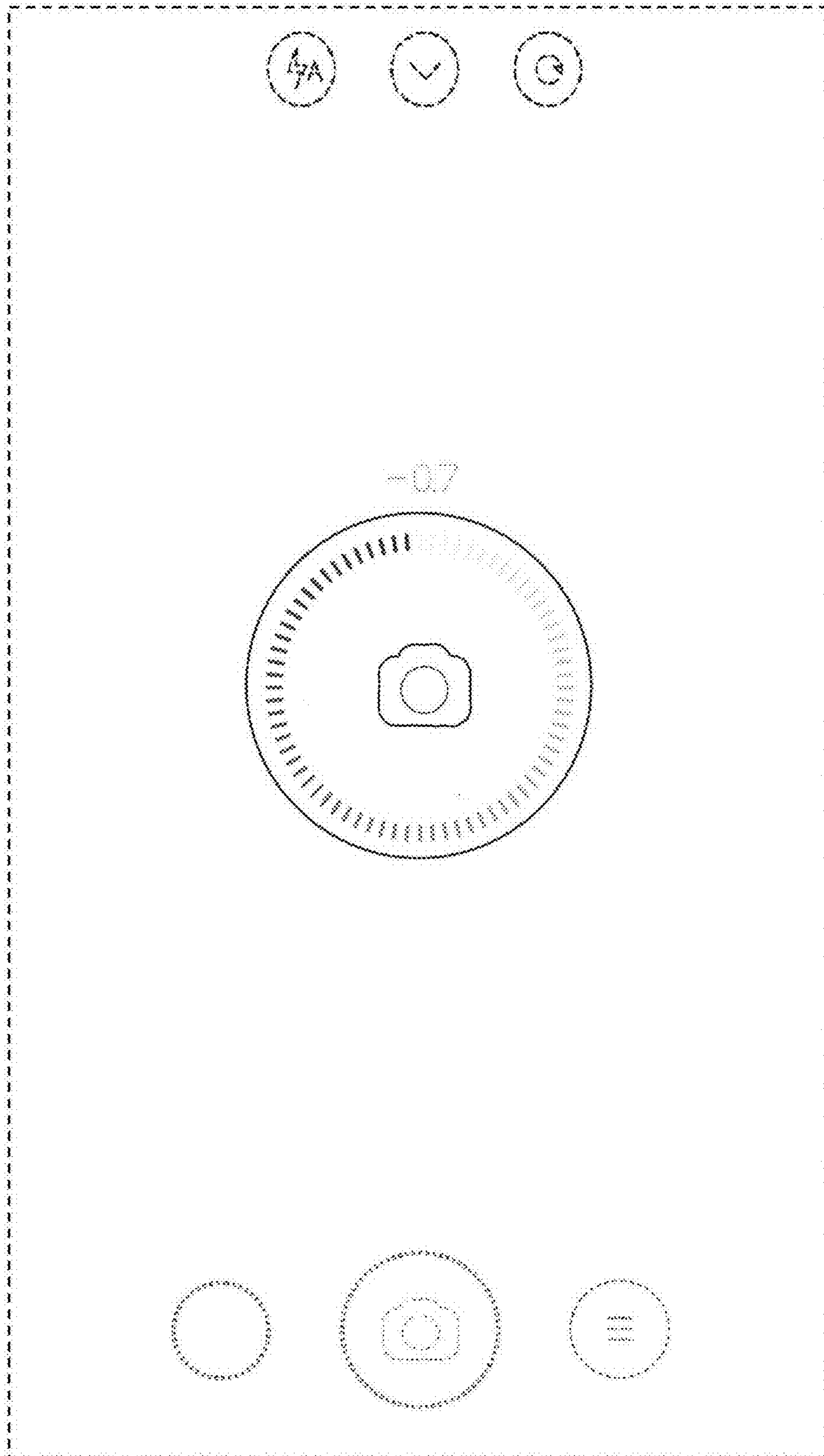


FIG. 15

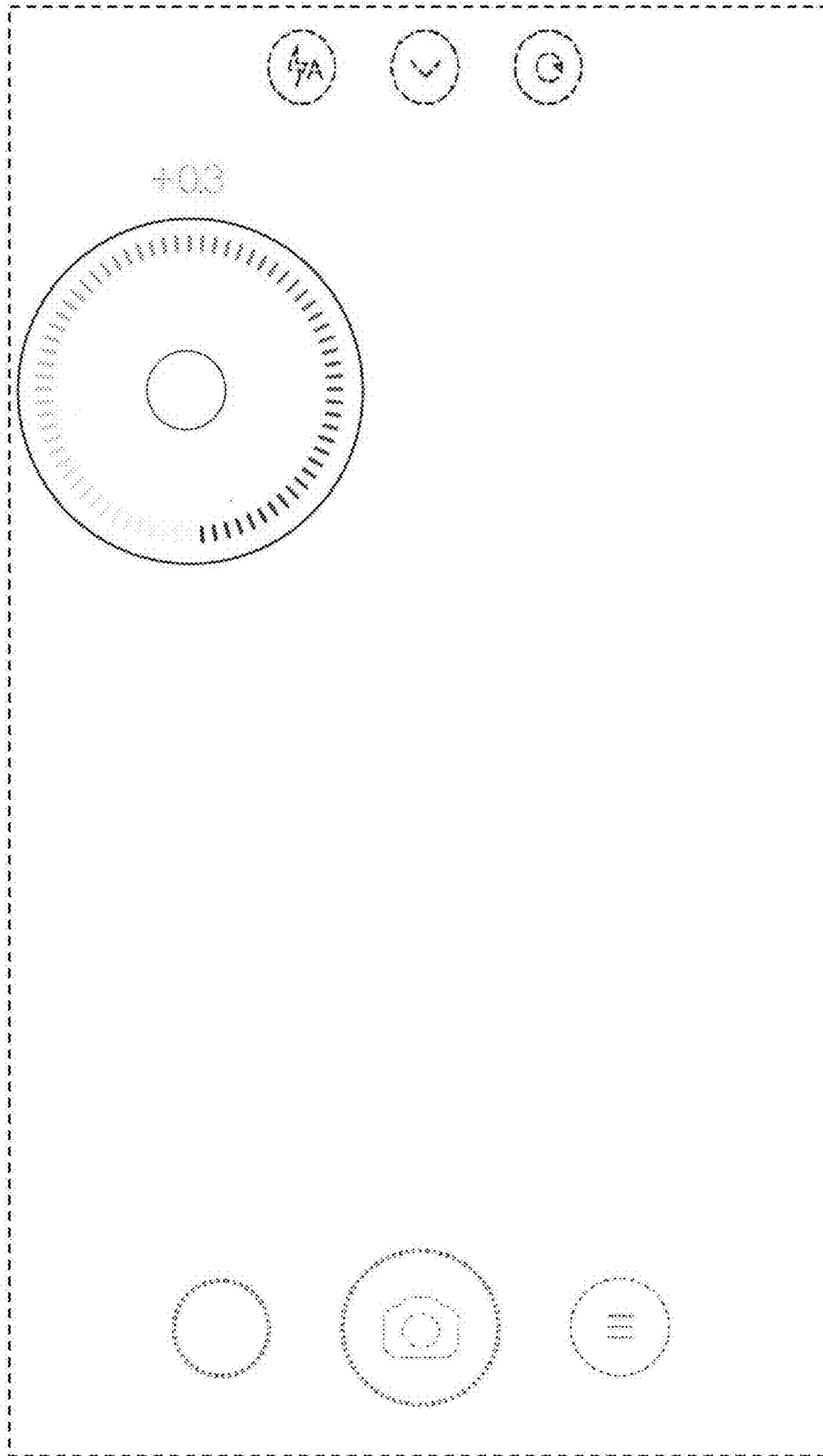


FIG. 16

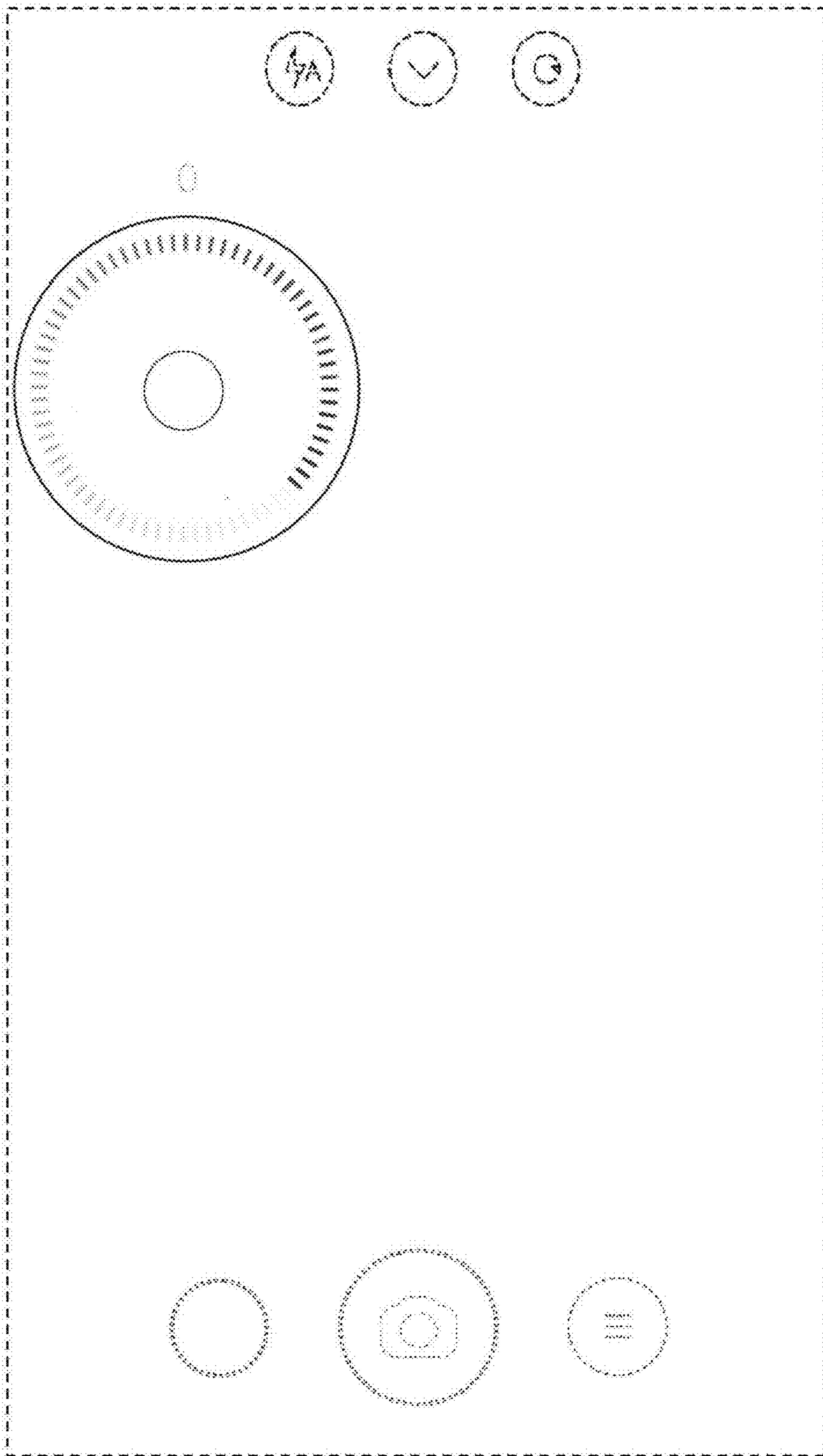


FIG. 17

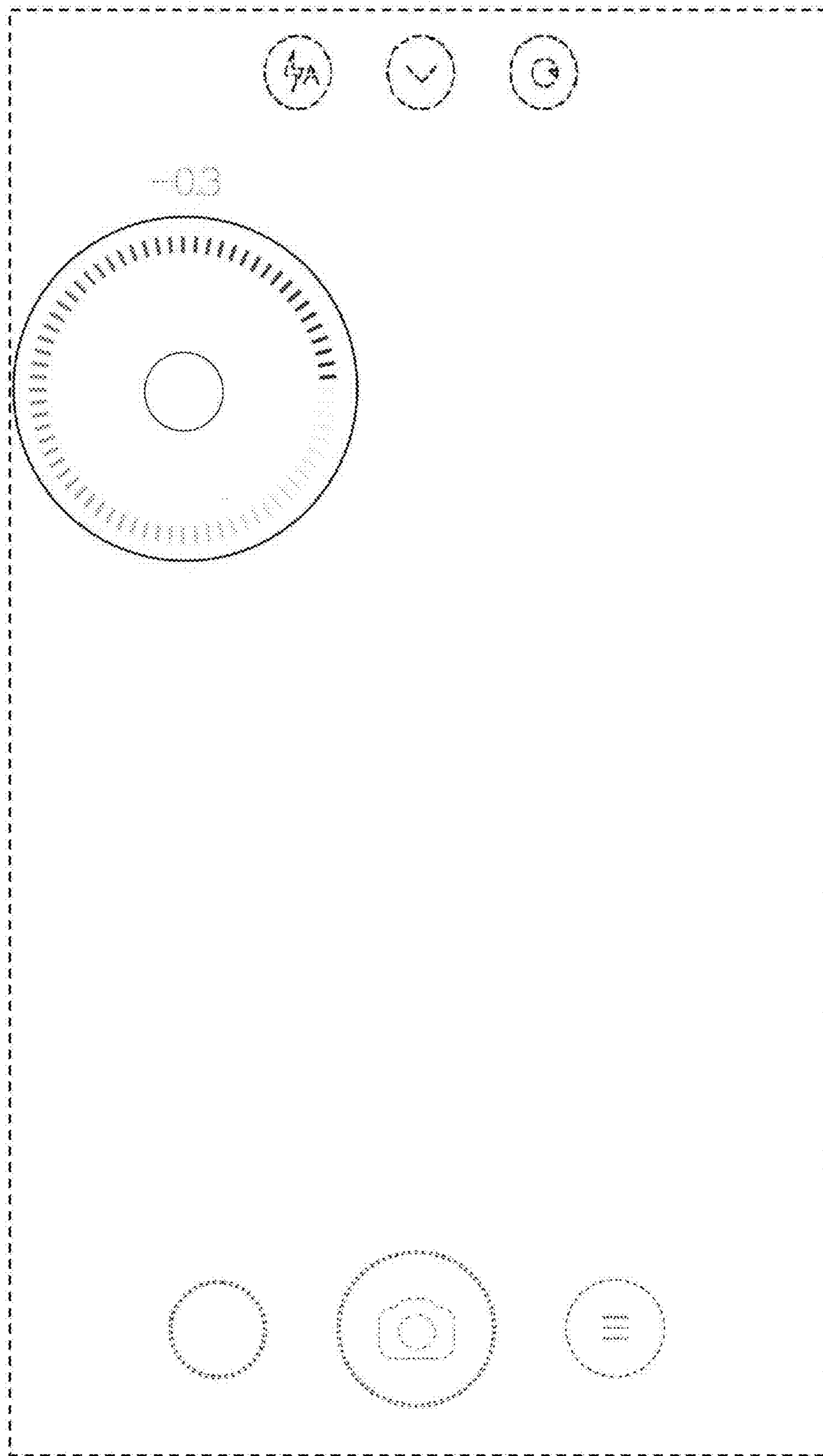


FIG.18



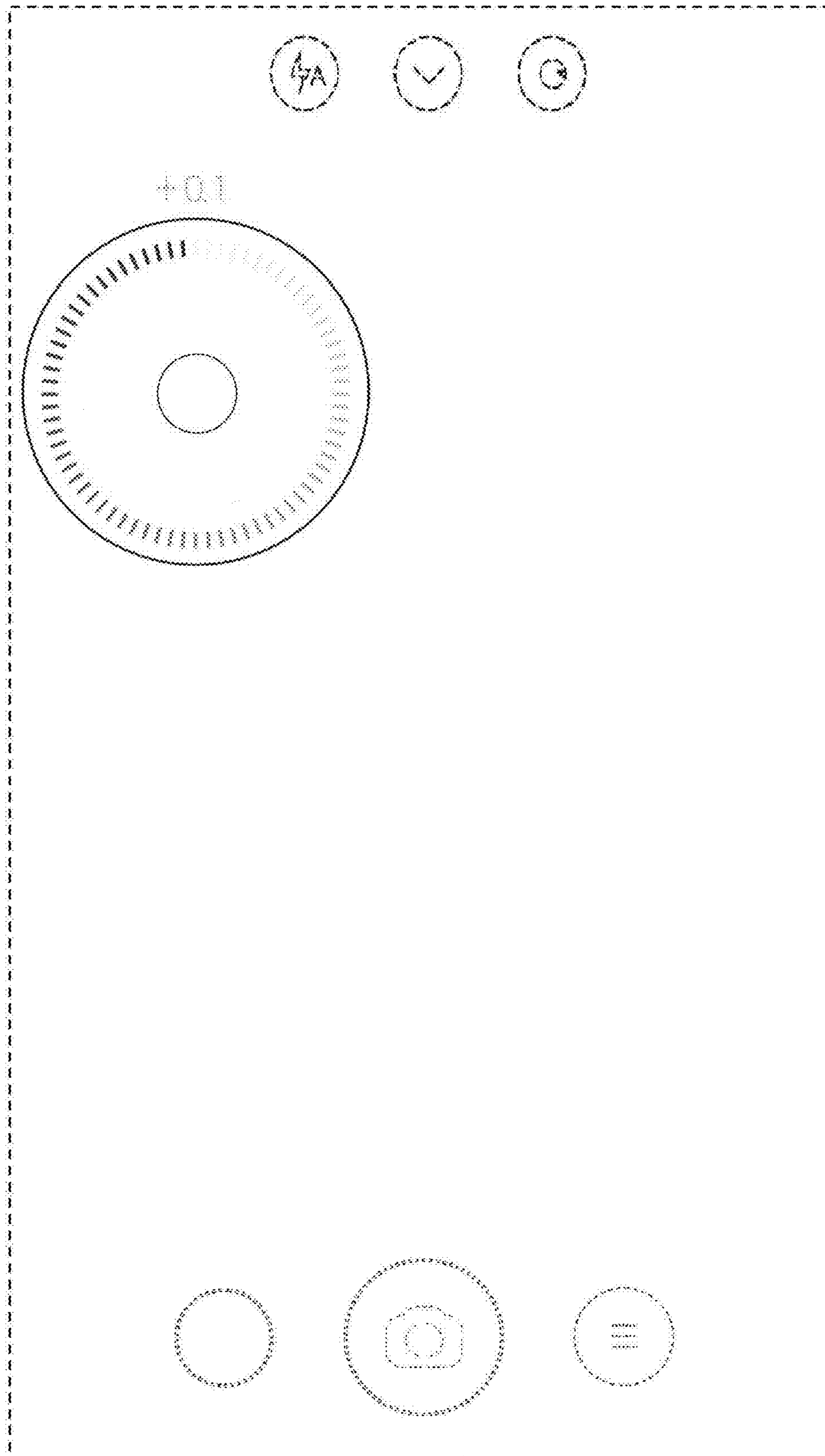


FIG.19

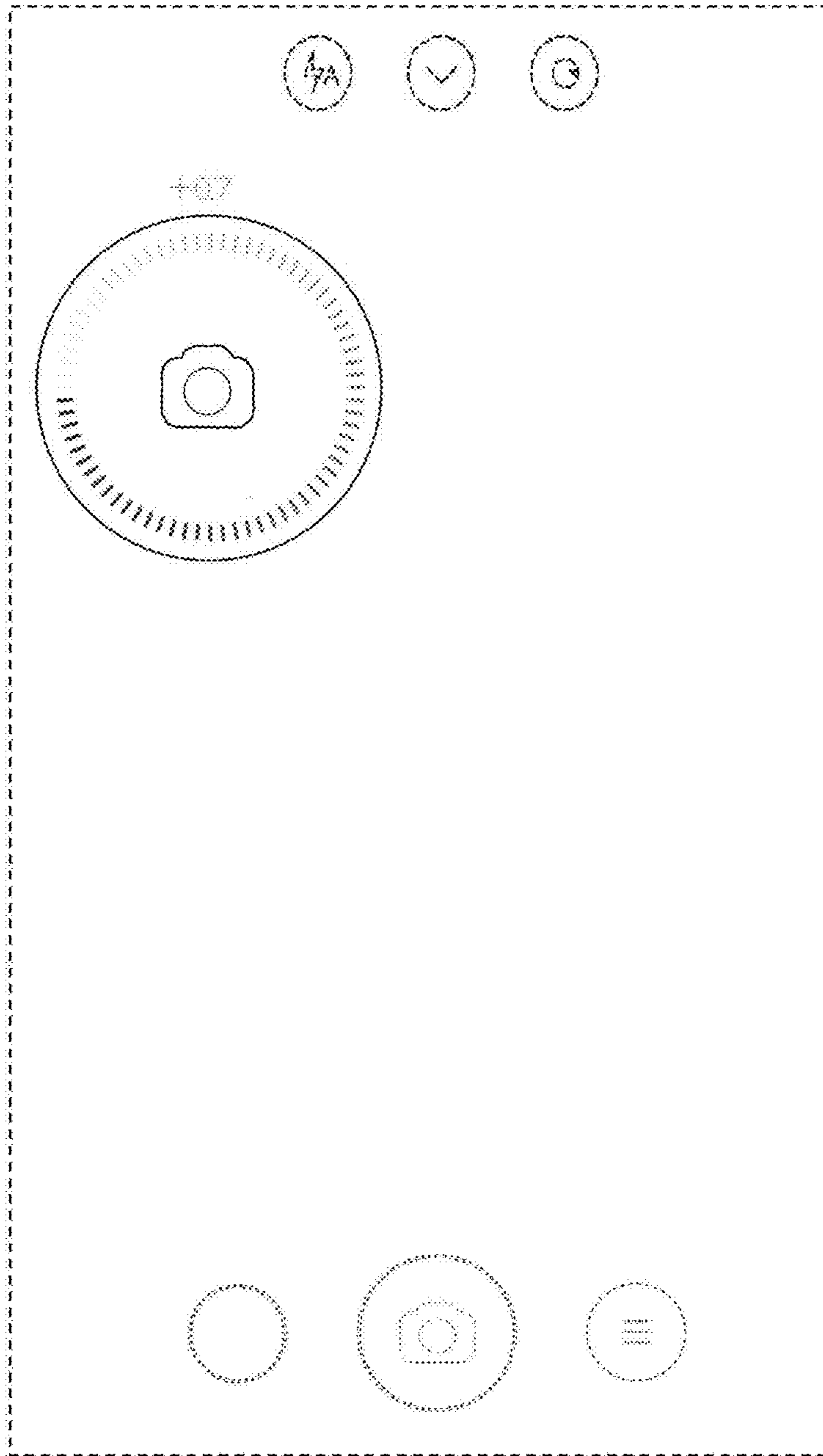


FIG.20