



US00D789951S

(12) **United States Design Patent** (10) **Patent No.:** **US D789,951 S**  
**Herold et al.** (45) **Date of Patent:** **\*\* Jun. 20, 2017**

(54) **DISPLAY SCREEN WITH GRAPHICAL USER INTERFACE**

(71) Applicant: **Microsoft Corporation**, Redmond, WA (US)

(72) Inventors: **Jeffrey Alan Herold**, Kirkland, WA (US); **Nicholas R. Barling**, Redmond, WA (US); **Charla Pereira**, Seattle, WA (US); **Arianne Taylor**, Woodinville, WA (US)

(73) Assignee: **Microsoft Corporation**, Redmond, WA (US)

(\*\*) Term: **15 Years**

(21) Appl. No.: **29/555,694**

(22) Filed: **Feb. 24, 2016**

**Related U.S. Application Data**

(62) Division of application No. 29/478,876, filed on Jan. 9, 2014, now Pat. No. Des. 754,711.

(51) **LOC (10) Cl.** ..... **14-04**

(52) **U.S. Cl.**  
USPC ..... **D14/485**

(58) **Field of Classification Search**  
USPC ..... D14/485-495  
CPC .. G06F 3/048; G06F 3/04842; G06F 3/04847;  
G06F 3/0481; G06F 17/211; G06F  
17/212

See application file for complete search history.

(56) **References Cited**

**U.S. PATENT DOCUMENTS**

D714,319 S *	9/2014	Pereira .....	D14/485
D739,414 S	9/2015	Lim et al.	
D739,869 S	9/2015	Herold et al.	
D741,356 S	10/2015	Park et al.	
D741,890 S	10/2015	Chaudhri et al.	

D741,895 S	10/2015	Nguyen	
D741,896 S	10/2015	Park et al.	
D743,418 S	11/2015	Herold et al.	
D743,419 S	11/2015	Herold et al.	
D743,429 S	11/2015	Herold et al.	
D743,440 S *	11/2015	Bachman .....	D14/492
D743,975 S	11/2015	Herold et al.	
D743,985 S	11/2015	Herold et al.	
D745,015 S	12/2015	Wang	
D745,052 S *	12/2015	Um .....	D14/487
D746,828 S	1/2016	Arai et al.	
D746,853 S	1/2016	Heeter et al.	

(Continued)

**OTHER PUBLICATIONS**

William Baxter and Naga Govindaraju, Simple Data-Driven Modeling of Brushes, published Feb. 2010, by Association for Computing Machinery, Inc., USA [online]. [retrieved Jul. 16, 2013]. Retrieved from Internet, URL: <<http://research.microsoft.com/apps/pubs/default.aspx?id=120512&gt>.

(Continued)

*Primary Examiner* — Darlington Ly

*Assistant Examiner* — Daniel J Domino

(74) *Attorney, Agent, or Firm* — Banner & Witcoff, Ltd.

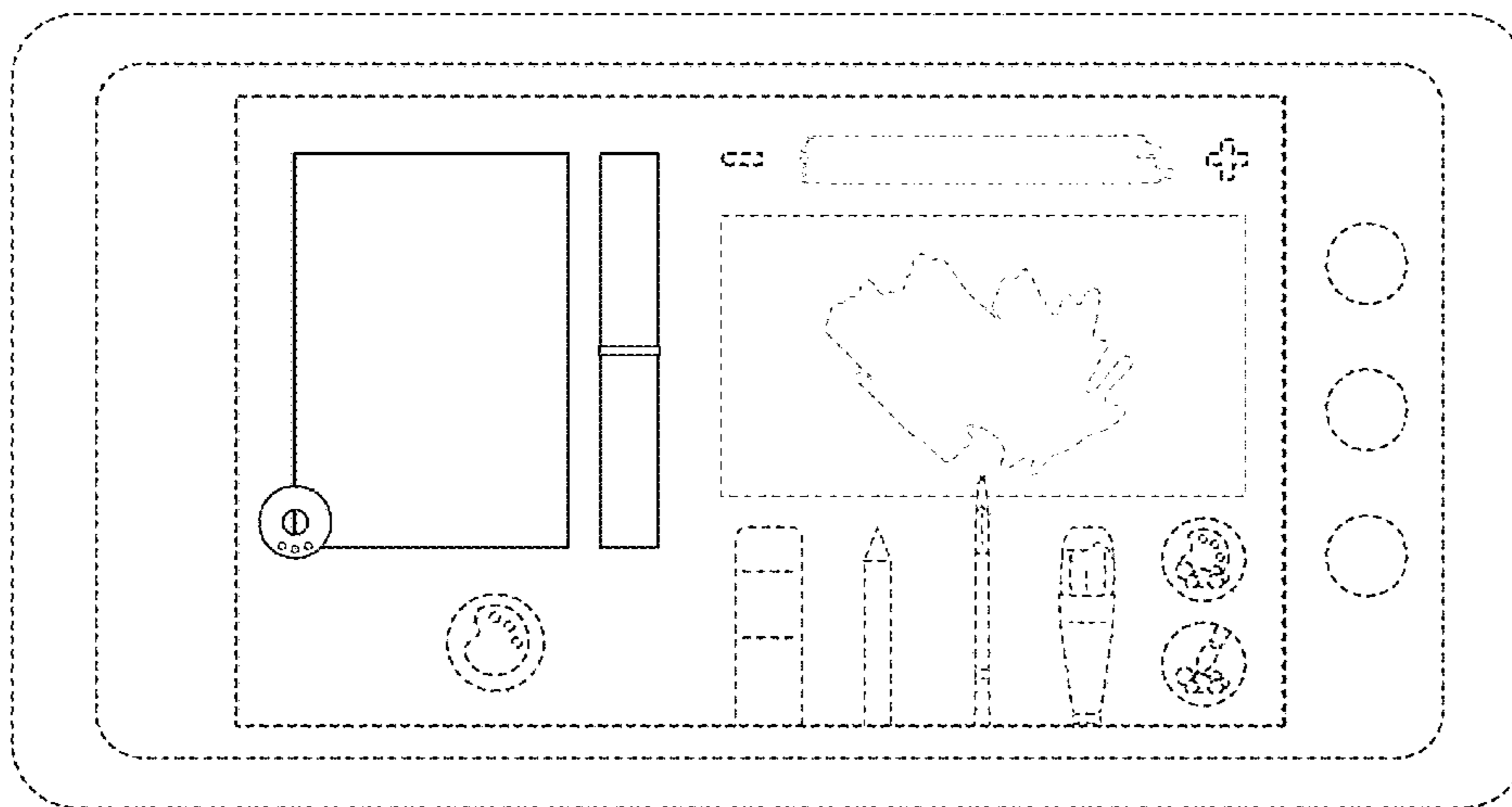
(57) **CLAIM**

The ornamental design for a display screen with graphical user interface, as shown and described.

**DESCRIPTION**

The FIGURE is a front view of a display screen with graphical user interface showing our new design. The broken line showing of the paint tools, various icons, and the remainder of the graphical user interface, as well as the display screen illustrate portions of the article, and forms no part of the claimed design. The device shown in broken lines illustrates environmental subject matter, and forms no part of the claimed design.

**1 Claim, 1 Drawing Sheet**



(56)

References Cited

U.S. PATENT DOCUMENTS

D747,333 S \* 1/2016 Supino ..... D14/486  
 D747,352 S \* 1/2016 Lee ..... D14/492  
 D758,398 S \* 6/2016 Yu ..... D14/486  
 D759,071 S \* 6/2016 Yu ..... D14/486  
 D760,751 S \* 7/2016 Lee ..... D14/486  
 D761,280 S \* 7/2016 Chung ..... D14/486  
 D764,533 S \* 8/2016 Seo ..... D14/488  
 D767,587 S \* 9/2016 Jou ..... D14/485  
 D768,187 S \* 10/2016 Wenz ..... D14/488  
 D768,189 S \* 10/2016 Valade ..... D14/488  
 D769,273 S \* 10/2016 Anzures ..... D14/486  
 D770,520 S \* 11/2016 Rodriguez ..... D14/488  
 D781,890 S \* 3/2017 Gathman ..... D14/486  
 D782,504 S \* 3/2017 Lee ..... D14/485  
 D782,522 S \* 3/2017 Bhandari ..... D14/487  
 D783,029 S \* 4/2017 Lee ..... D14/485  
 D783,030 S \* 4/2017 Lee ..... D14/485  
 D783,648 S \* 4/2017 Vazquez ..... D14/486  
 D783,650 S \* 4/2017 Caporal ..... D14/486

D783,675 S \* 4/2017 Yagisawa ..... D14/489  
 D784,363 S \* 4/2017 Fleming ..... D14/485  
 D784,391 S \* 4/2017 Yuguchi ..... D14/486

OTHER PUBLICATIONS

Nelson Chu et al., Detail Preserving Paint Modeling for 3D Brushes, published Jun. 7, 2010, by Association for Computing Machinery, Inc., USA [online]. [retrieved Jul. 16, 2013]. Retrieved from Internet, URL: <<http://research.microsoft.com/apps/pubs/default.aspx?id=121930&gt>.  
 Project Gustav: Immersive Digital Painting, published Mar. 2, 2010, by Microsoft Corporation, Redmond, WA, USA [online]. [retrieved Jul. 16, 2013]. Retrieved from Internet, URL: <<http://research.microsoft.com/en-us/projects/gustav/default.aspx&gt>.  
 Screenshots of Microsoft Paint program, published by Microsoft Corporation, Redmond, WA, USA. Print date Jul. 16, 2013. Date released unknown, but prior to the filing of the present application.

\* cited by examiner

