



US00D789939S

(12) **United States Design Patent** (10) **Patent No.:** **US D789,939 S**
Blevins (45) **Date of Patent:** **** Jun. 20, 2017**

(54) **DEVICE FOR HOLDING PORTABLE ELECTRONICS**

(71) Applicant: **Conrad Scott Blevins**, Los Angeles, CA (US)

(72) Inventor: **Conrad Scott Blevins**, Los Angeles, CA (US)

(**) Term: **15 Years**

(21) Appl. No.: **29/575,732**

(22) Filed: **Aug. 29, 2016**

Related U.S. Application Data

(63) Continuation of application No. 14/841,186, filed on Aug. 31, 2015, which is a continuation of application No. 13/756,407, filed on Jan. 31, 2013, now Pat. No. 9,121,546.

(51) **LOC (10) Cl.** **08-07**

(52) **U.S. Cl.**
USPC **D14/447**

(58) **Field of Classification Search**
USPC D14/447, 432, 434, 439, 440, 451, 452, D14/457, 239; D12/415; D6/406.3, D6/406.4, 406.5, 406.6; D8/363, 373, D8/380

CPC A47B 21/04; A47B 2097/006; A47B 2097/005; A47B 2023/049; A45C 2011/002; A45C 2011/003; F16M 2200/00; F16M 13/00

See application file for complete search history.

(56) **References Cited**

U.S. PATENT DOCUMENTS

D330,135 S * 10/1992 Furner D14/447
D355,790 S 2/1995 Dwyer
D390,209 S 2/1998 Dials
D410,910 S 6/1999 Martell
D457,351 S 5/2002 Zerman

D483,767 S * 12/2003 Green D14/447
D494,595 S 8/2004 Lin
D495,337 S 8/2004 Zerman
6,932,309 B1 8/2005 Corey et al.
D539,806 S 4/2007 Yu
D551,876 S 10/2007 Gusdorf
D590,833 S 4/2009 O'Connor
7,861,985 B2 1/2011 Galvin
D645,867 S 9/2011 Wong
D670,690 S 11/2012 Daniel
D679,280 S 4/2013 Lewis
D679,701 S 4/2013 Adelman et al.

(Continued)

FOREIGN PATENT DOCUMENTS

TW M399248 3/2011

Primary Examiner — Angela J Lee

(74) *Attorney, Agent, or Firm* — Hodgson Russ LLP

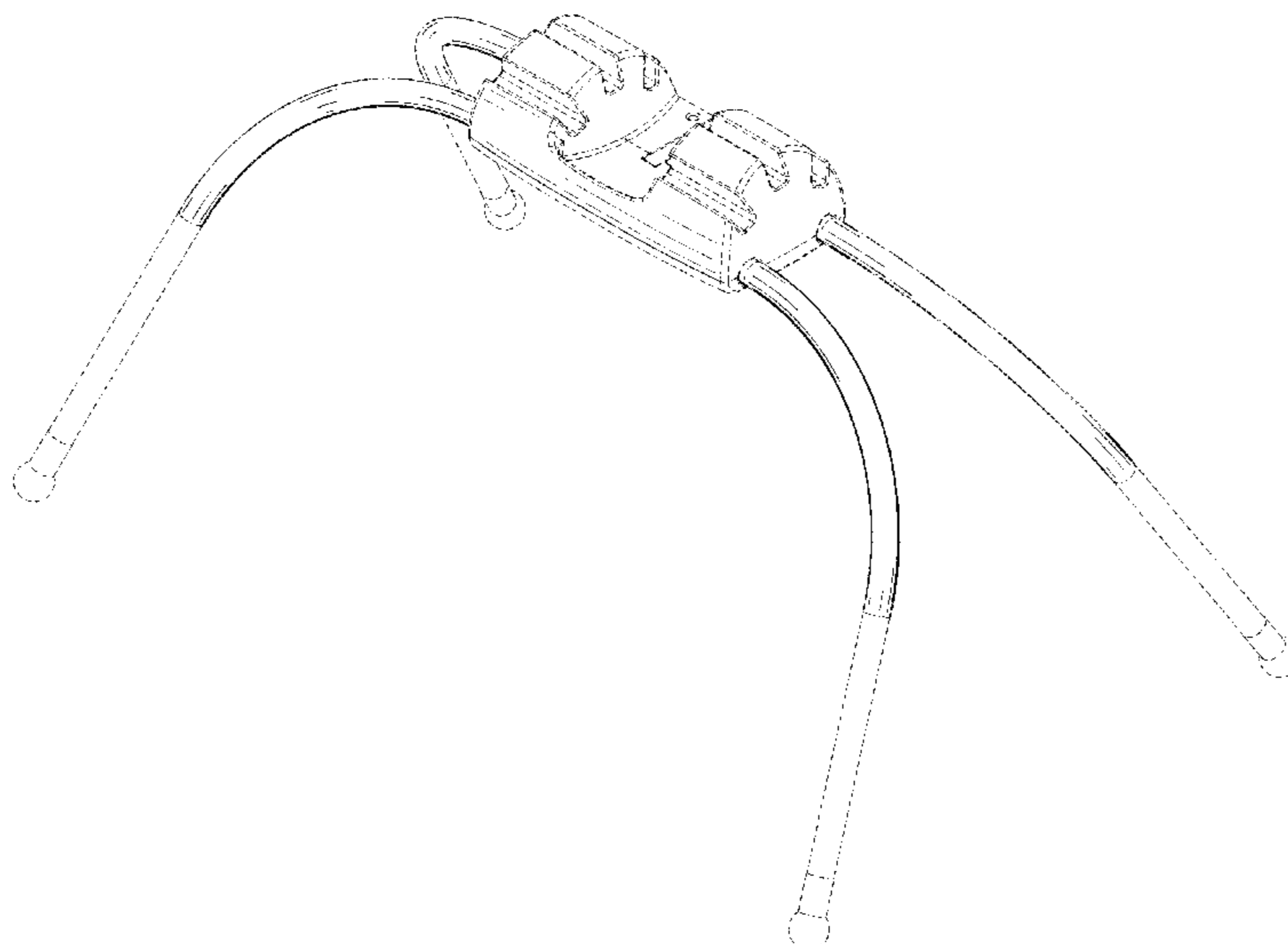
(57) **CLAIM**

The ornamental design for a device for holding portable electronics, as shown and described.

DESCRIPTION

FIG. 1 is a perspective view according to an embodiment of a device for holding portable electronics;
FIG. 2 is a front elevation view thereof;
FIG. 3 is a right side elevation view thereof, the left side elevation view being mirror-symmetrical thereto;
FIG. 4 is a rear elevation view thereof;
FIG. 5 is a top plan view thereof;
FIG. 6 is a bottom plan view thereof; and,
FIG. 7 is a perspective view thereof, showing an exemplary portable electronic device held therein.
The broken lines represent unclaimed features of the claimed design. The unshaded surfaces bounded by broken lines form no part of the claimed design. The long dash, double dash lines represent surface boundaries of the claimed design.

1 Claim, 7 Drawing Sheets



(56)

References Cited

U.S. PATENT DOCUMENTS

D689,500 S * 9/2013 Faulk D14/447
8,544,161 B2 10/2013 Carnevali
D696,261 S * 12/2013 Weldon D14/447
D700,614 S 3/2014 Hamblet
D701,212 S * 3/2014 Blevins D14/447
D704,714 S * 5/2014 Christiano D14/447
D714,775 S * 10/2014 Yoo D14/253
D742,364 S * 11/2015 Reinhertz D14/239
D743,385 S * 11/2015 Ann D14/239
D748,640 S * 2/2016 Hart D14/451
D753,642 S 4/2016 Jimuro
D757,019 S 5/2016 Pitteri
D761,799 S 7/2016 Miniard
D770,460 S * 11/2016 Won D14/451
D772,883 S * 11/2016 Sun D14/447
2005/0258317 A1 11/2005 Weder
2009/0127411 A1 5/2009 Aguilar
2012/0091298 A1 4/2012 Huang
2012/0169888 A1 * 7/2012 Clark F16M 11/32
348/207.1
2012/0187259 A1 7/2012 Cheng

* cited by examiner

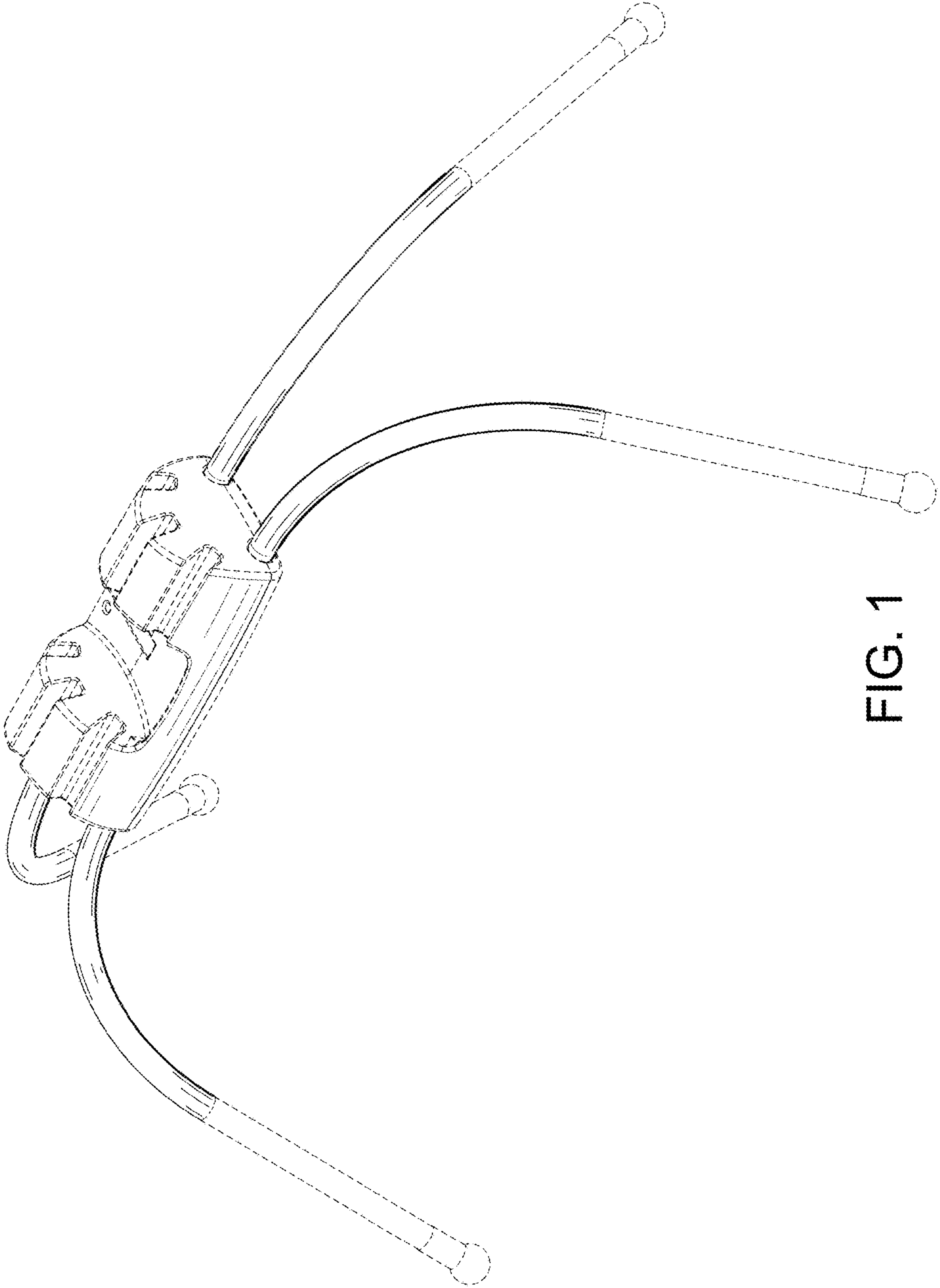


FIG. 1

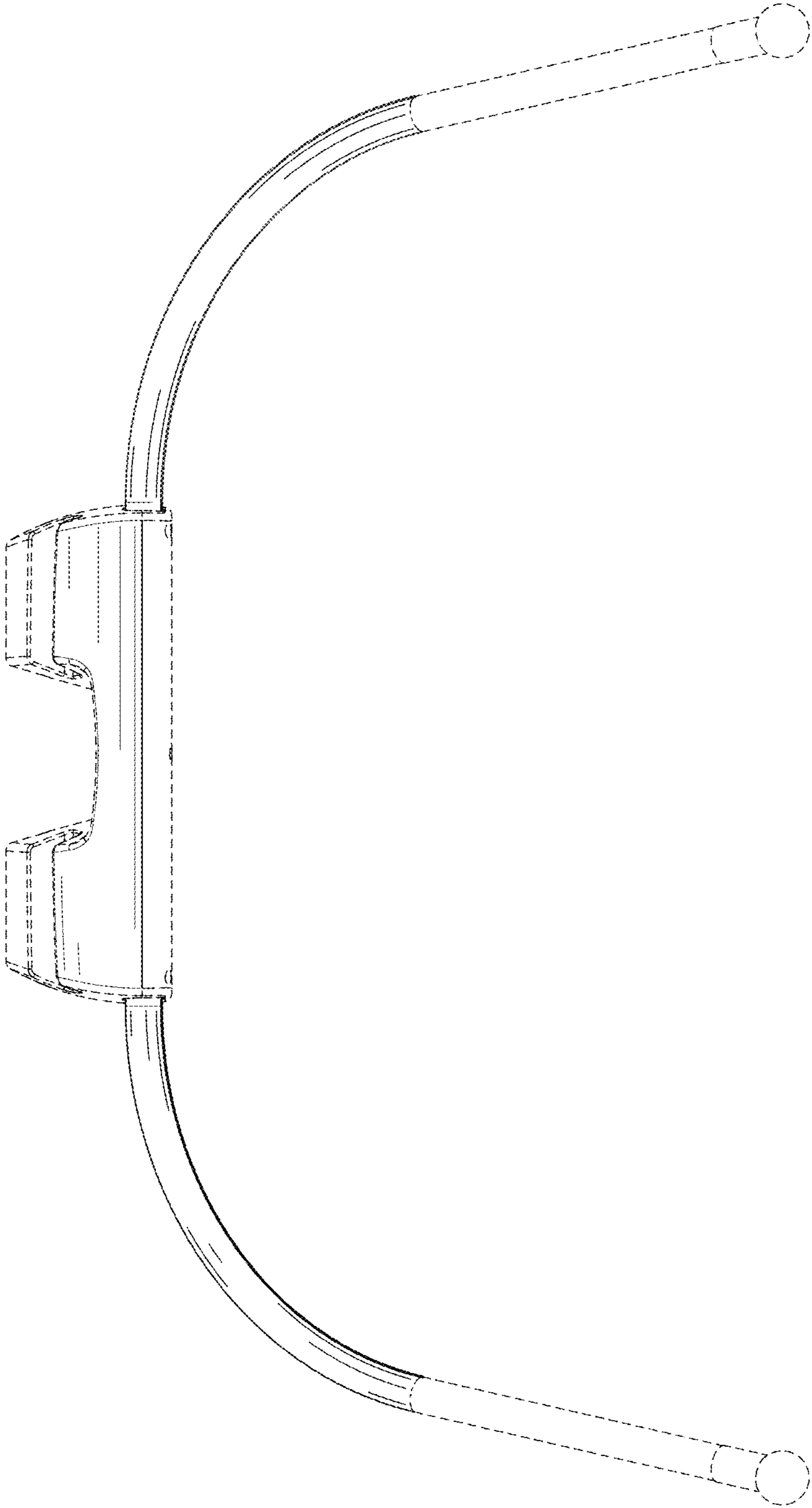


FIG. 2

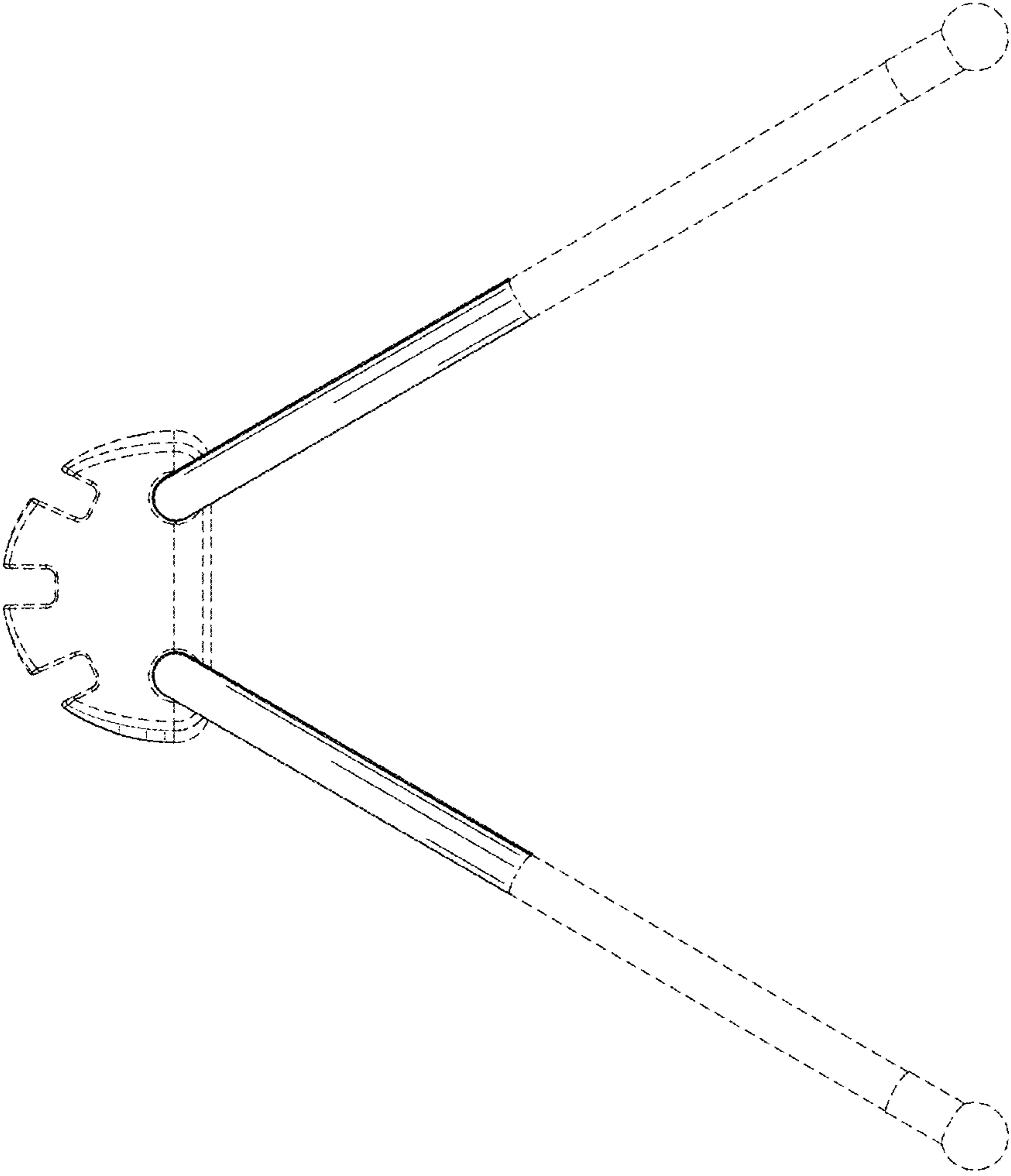


FIG. 3

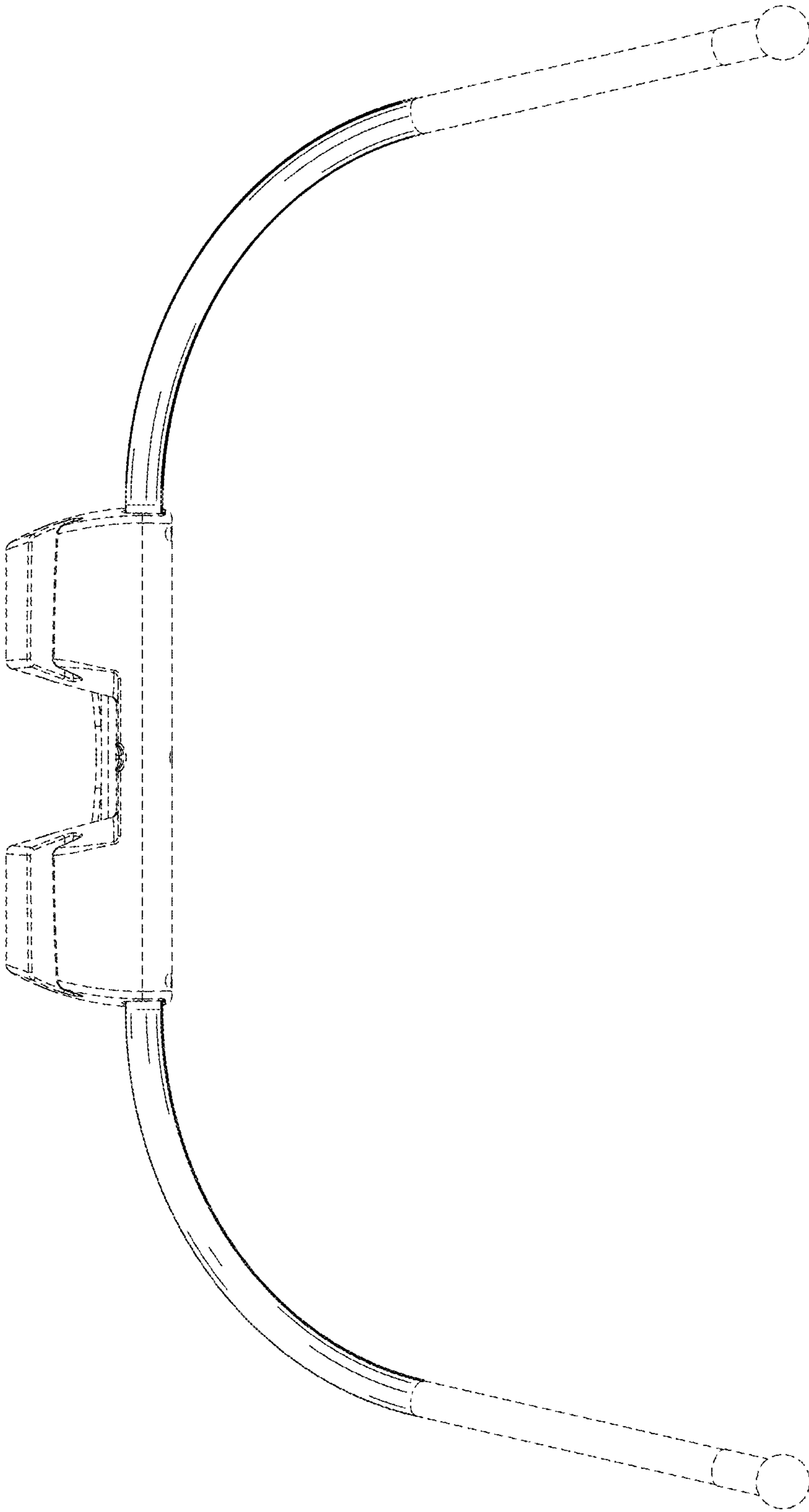


FIG. 4

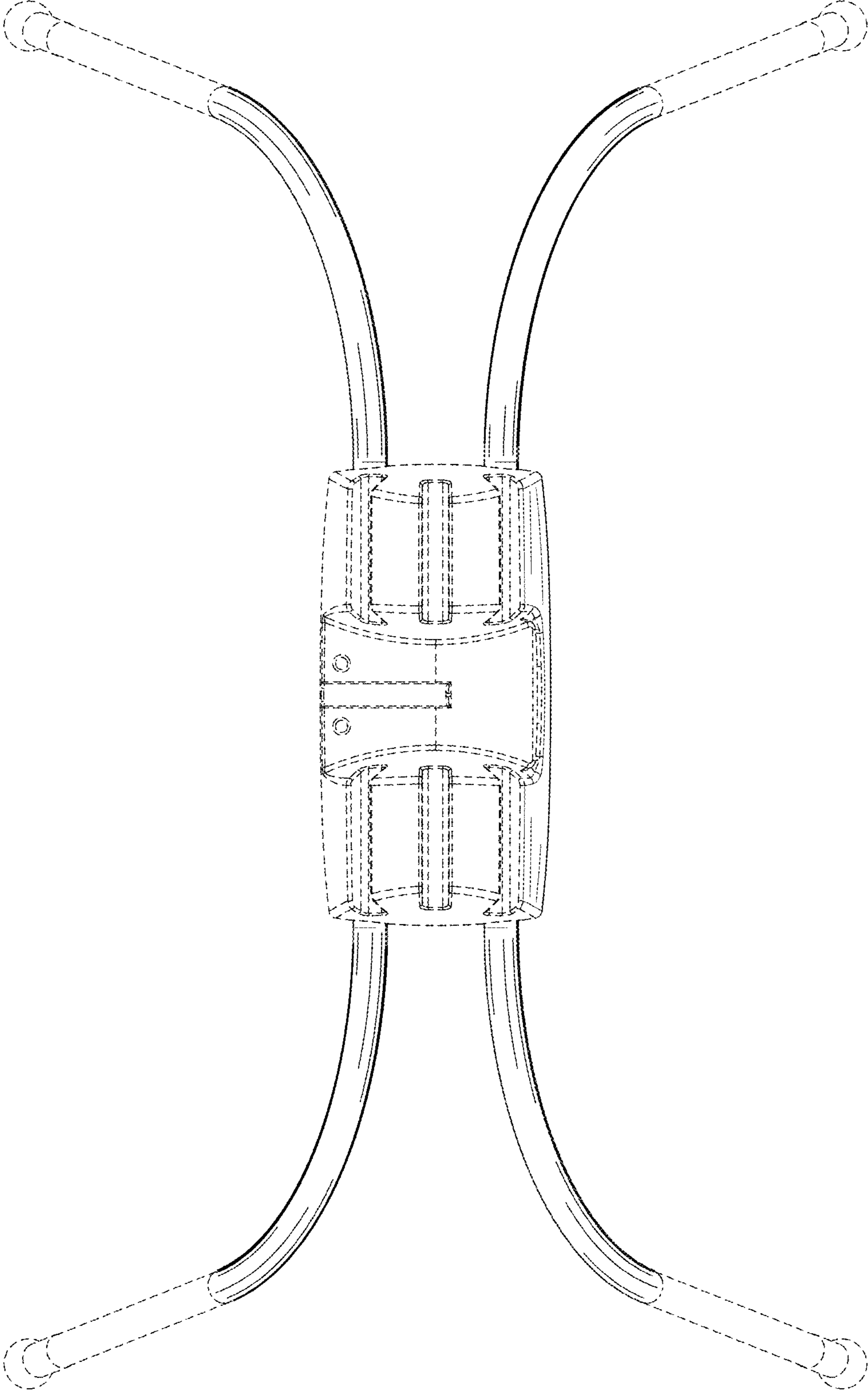


FIG. 5

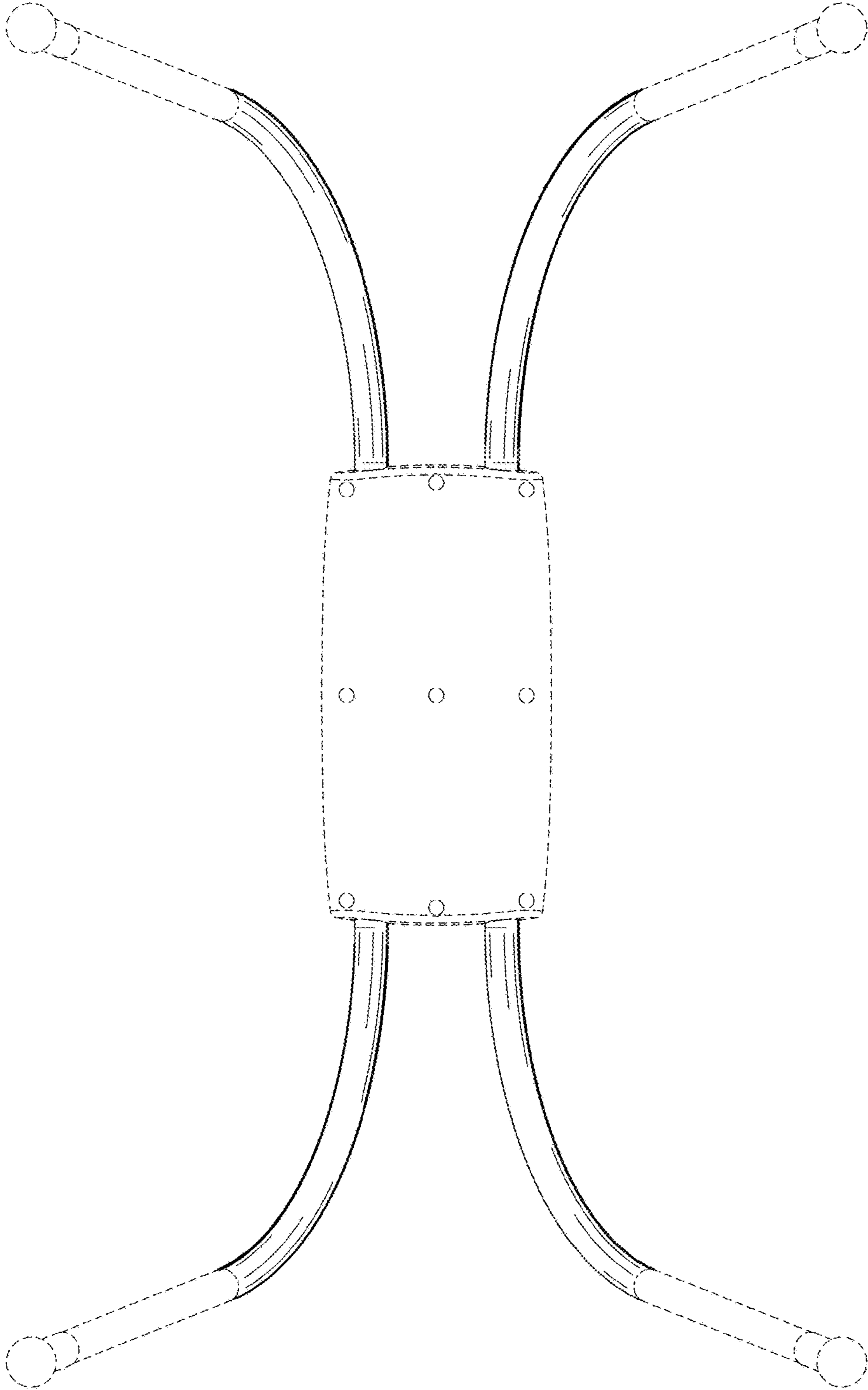


FIG. 6

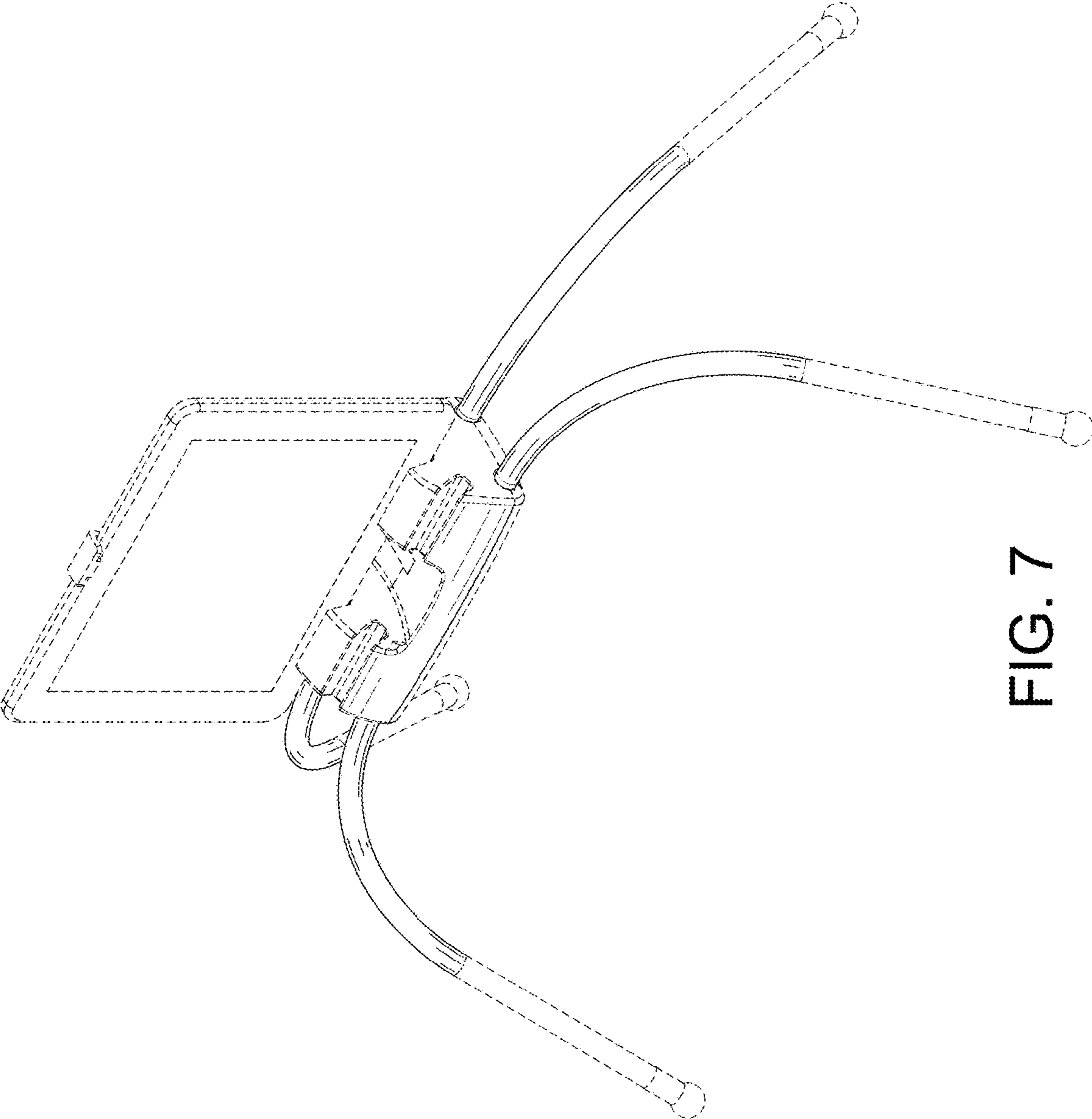


FIG. 7