



US00D789938S

(12) **United States Design Patent**
Lee

(10) **Patent No.:** **US D789,938 S**
(45) **Date of Patent:** **** Jun. 20, 2017**

- (54) **RECESSED LUMINAIRE**
- (71) Applicant: **Siu Woo Lee**, Guangdong Province (CN)
- (72) Inventor: **Siu Woo Lee**, Guangdong Province (CN)
- (**) Term: **15 Years**
- (21) Appl. No.: **29/557,251**
- (22) Filed: **Mar. 7, 2016**
- (51) **LOC (10) Cl.** **08-07**
- (52) **U.S. Cl.**
USPC **D14/447**
- (58) **Field of Classification Search**
USPC D26/74, 72, 75, 76, 77, 78, 85, 88, 89,
D26/118, 138, 141; 362/364, 365, 373,
362/145, 146, 147, 148, 150, 153, 153.1,
362/294, 296.01, 296.07, 296.08
CPC F21V 29/2262; F21V 7/06; F21V 21/044;
F21V 21/047; F21V 29/2212; F21V
29/2225; F21V 29/2256; F21V 29/225;
F21V 29/2268; F21Y 2111/002; F21S
8/02; F21S 8/026
See application file for complete search history.

D571,944 S *	6/2008	Pickard	D26/74
D596,330 S *	7/2009	Pickard	D26/74
D613,444 S *	4/2010	Rashidi	D26/74
7,717,390 B1 *	5/2010	Rashidi	F21V 21/048 248/343
D617,934 S *	6/2010	Rashidi	D26/74
D624,688 S *	9/2010	Johnson	D26/74
D641,909 S *	7/2011	Johnson	D26/74
D642,317 S *	7/2011	Rashidi	D26/74
D677,418 S *	3/2013	Wilson	D26/74
2016/0084488 A1 *	3/2016	Wu	F21S 8/026 362/364
2016/0327251 A1 *	11/2016	Clark	F21V 19/02

* cited by examiner

Primary Examiner — Angela J Lee

(74) *Attorney, Agent, or Firm* — Klarquist Sparkman, LLP

(57) **CLAIM**

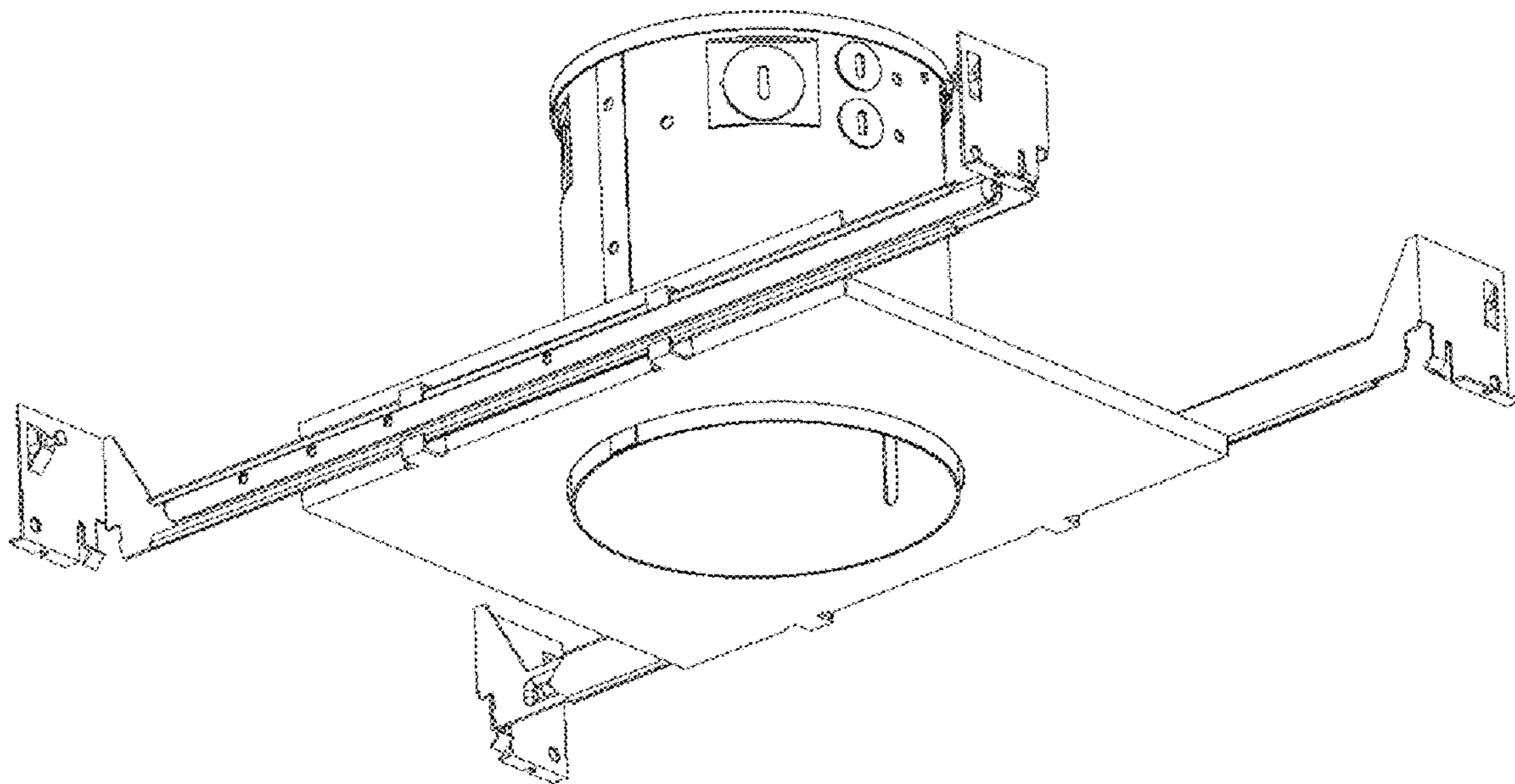
I claim the ornamental design for a recessed luminaire, as shown and described.

DESCRIPTION

FIG. 1 is a front view of the recessed luminaire;
 FIG. 2 is a right view of the recessed luminaire of FIG. 1;
 FIG. 3 is a left view of the recessed luminaire of FIG. 1;
 FIG. 4 is a rear view of the recessed luminaire of FIG. 1;
 FIG. 5 is a top view of the recessed luminaire of FIG. 1;
 FIG. 6 is a bottom view of the recessed luminaire of FIG. 1;
 FIG. 7 is a first perspective view of the recessed luminaire of FIG. 1; and,
 FIG. 8 is a second perspective view of the recessed luminaire of FIG. 1.

1 Claim, 8 Drawing Sheets

- (56) **References Cited**
U.S. PATENT DOCUMENTS
5,957,574 A * 9/1999 Hentz F21S 8/02
248/302
D544,128 S * 6/2007 Carro D26/63



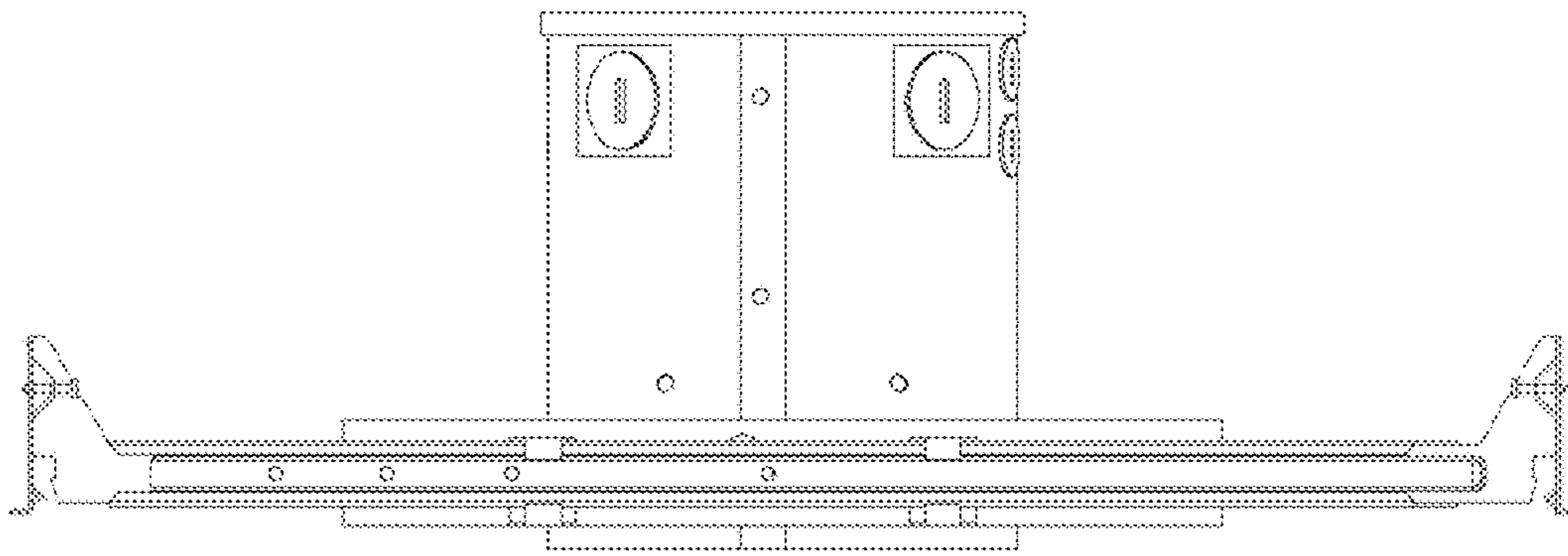


FIG. 1

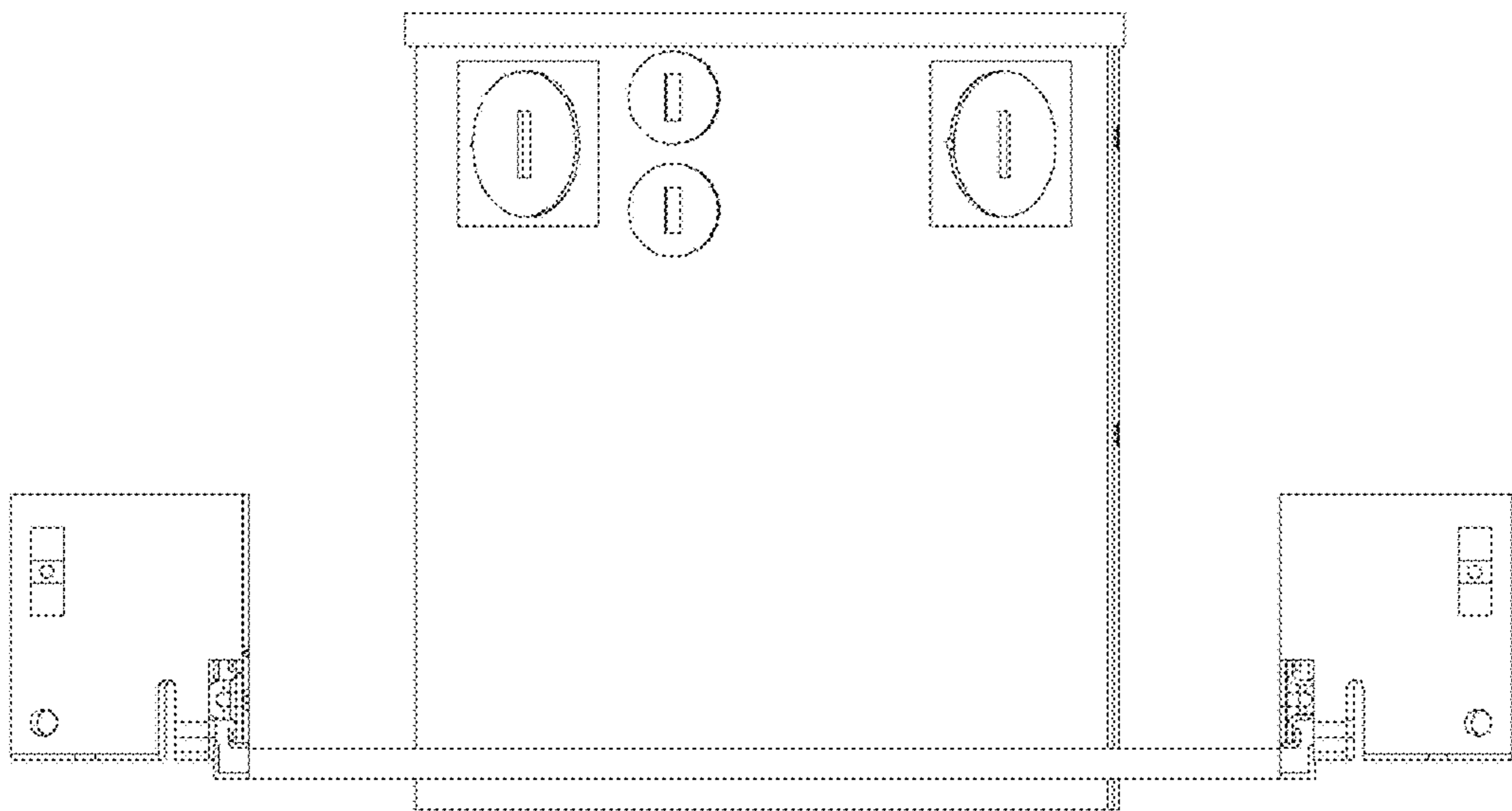


FIG. 2

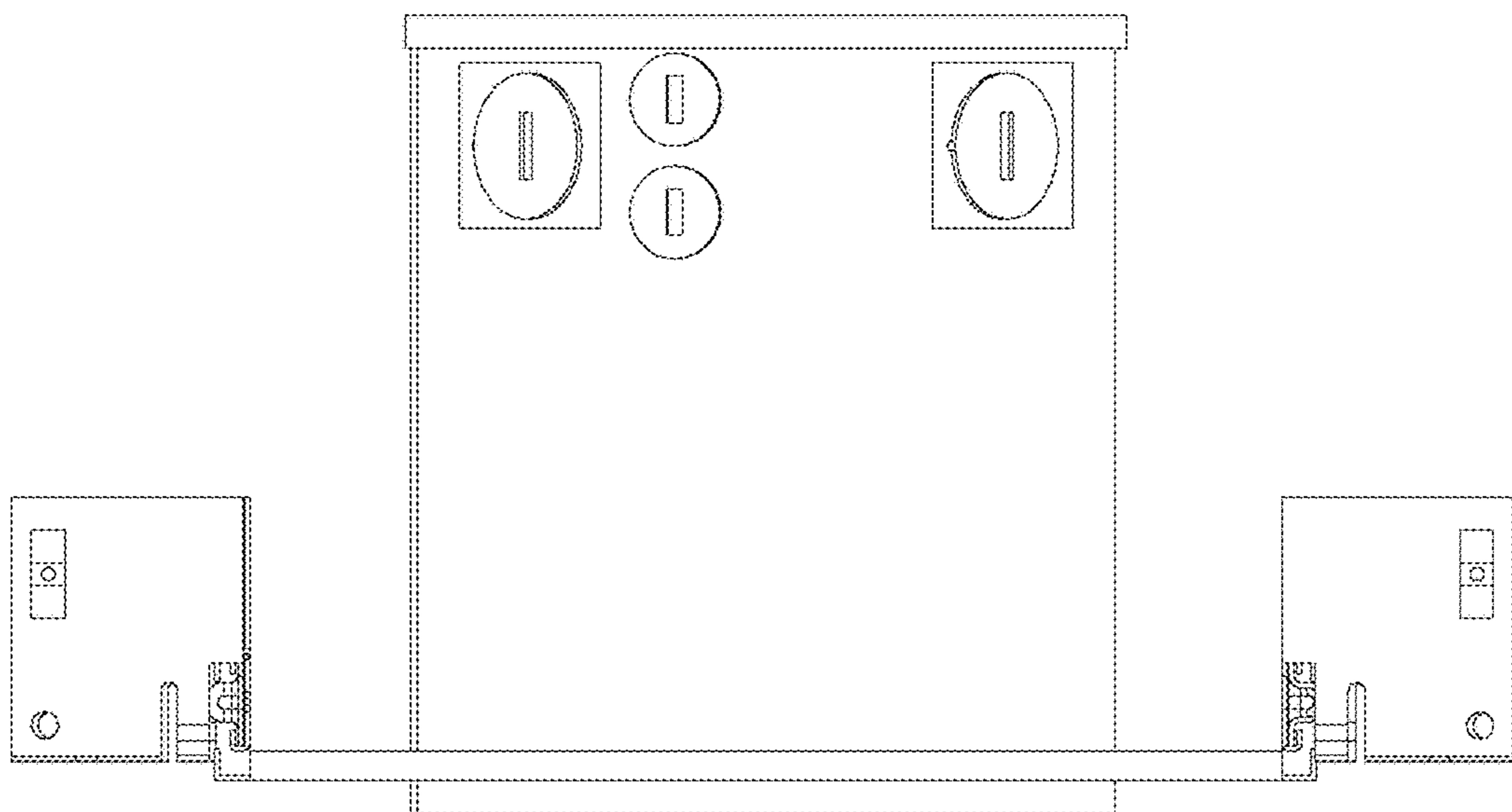


FIG. 3

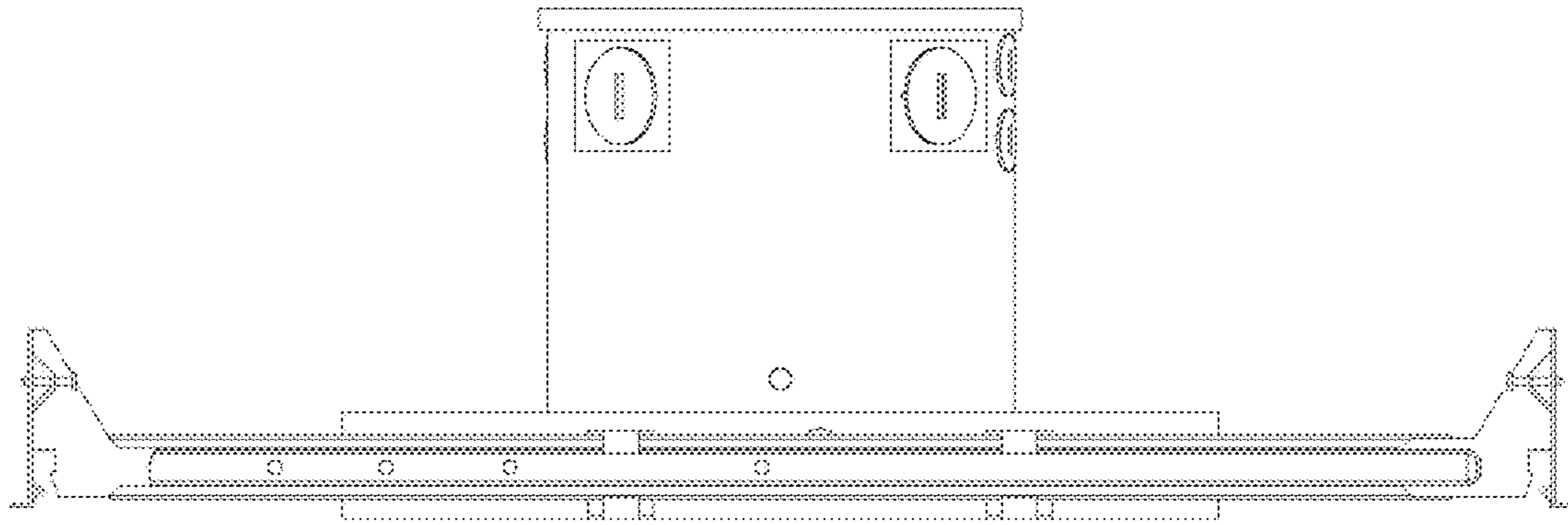


FIG. 4

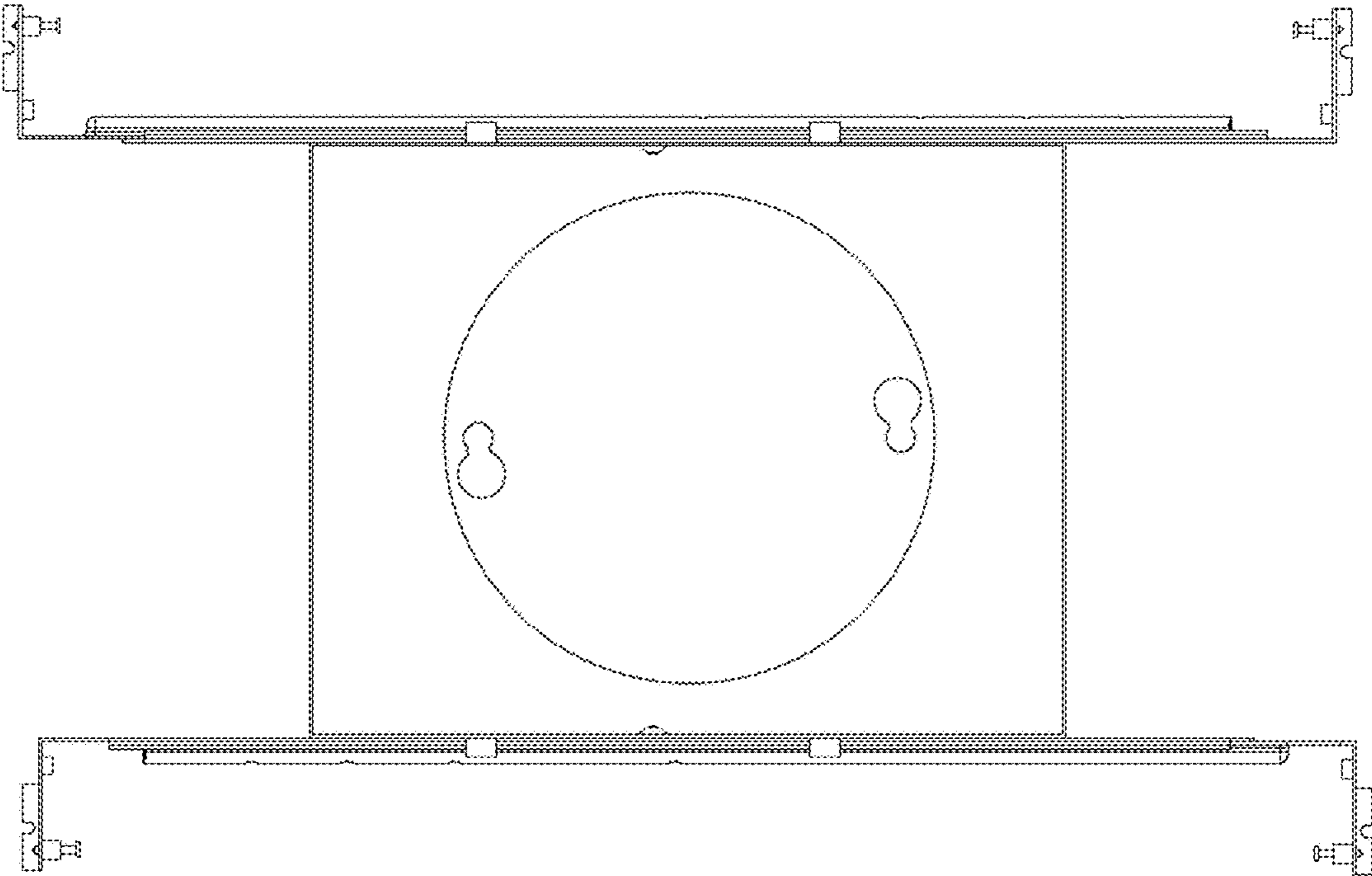


FIG. 5

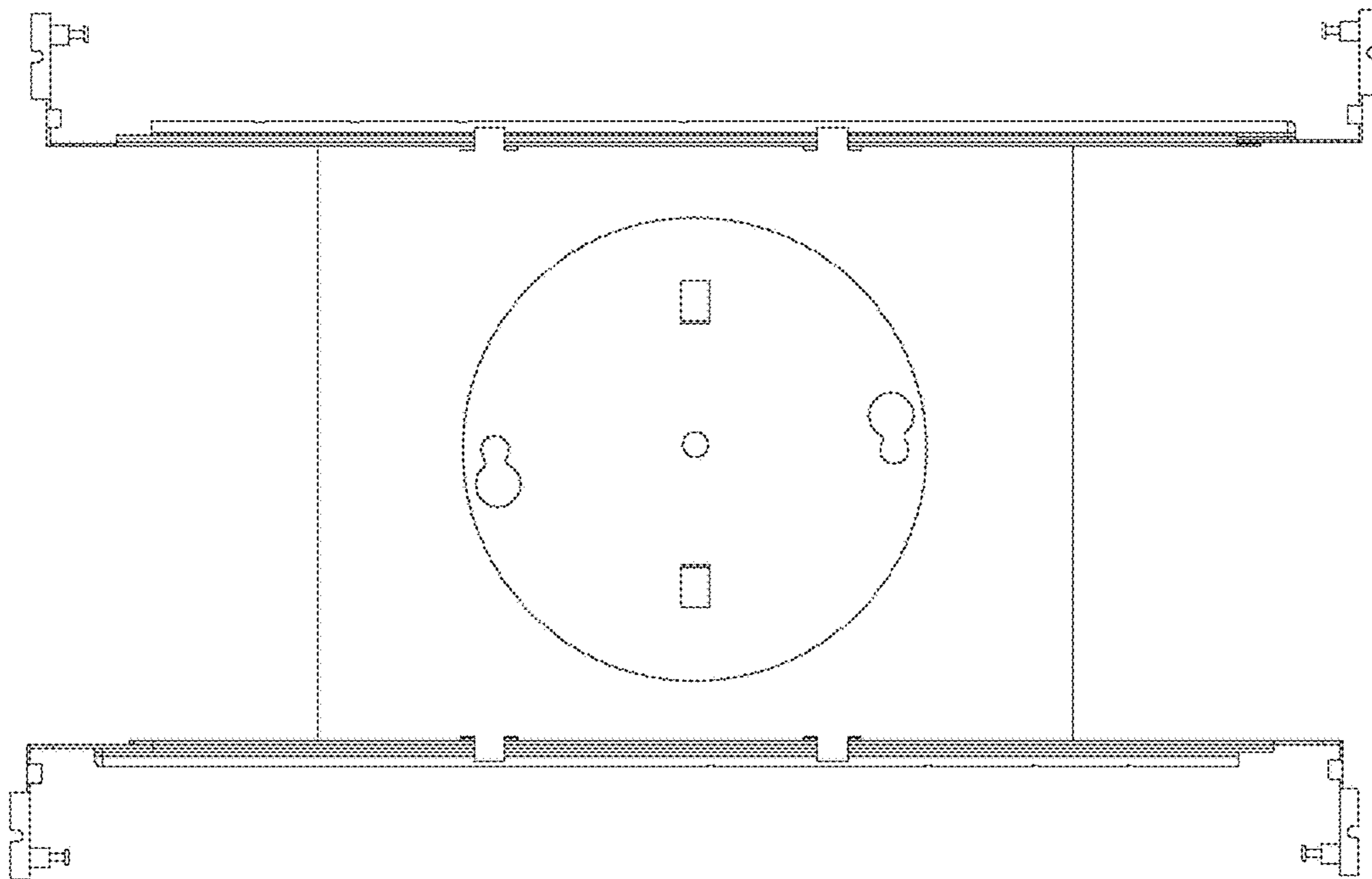


FIG. 6

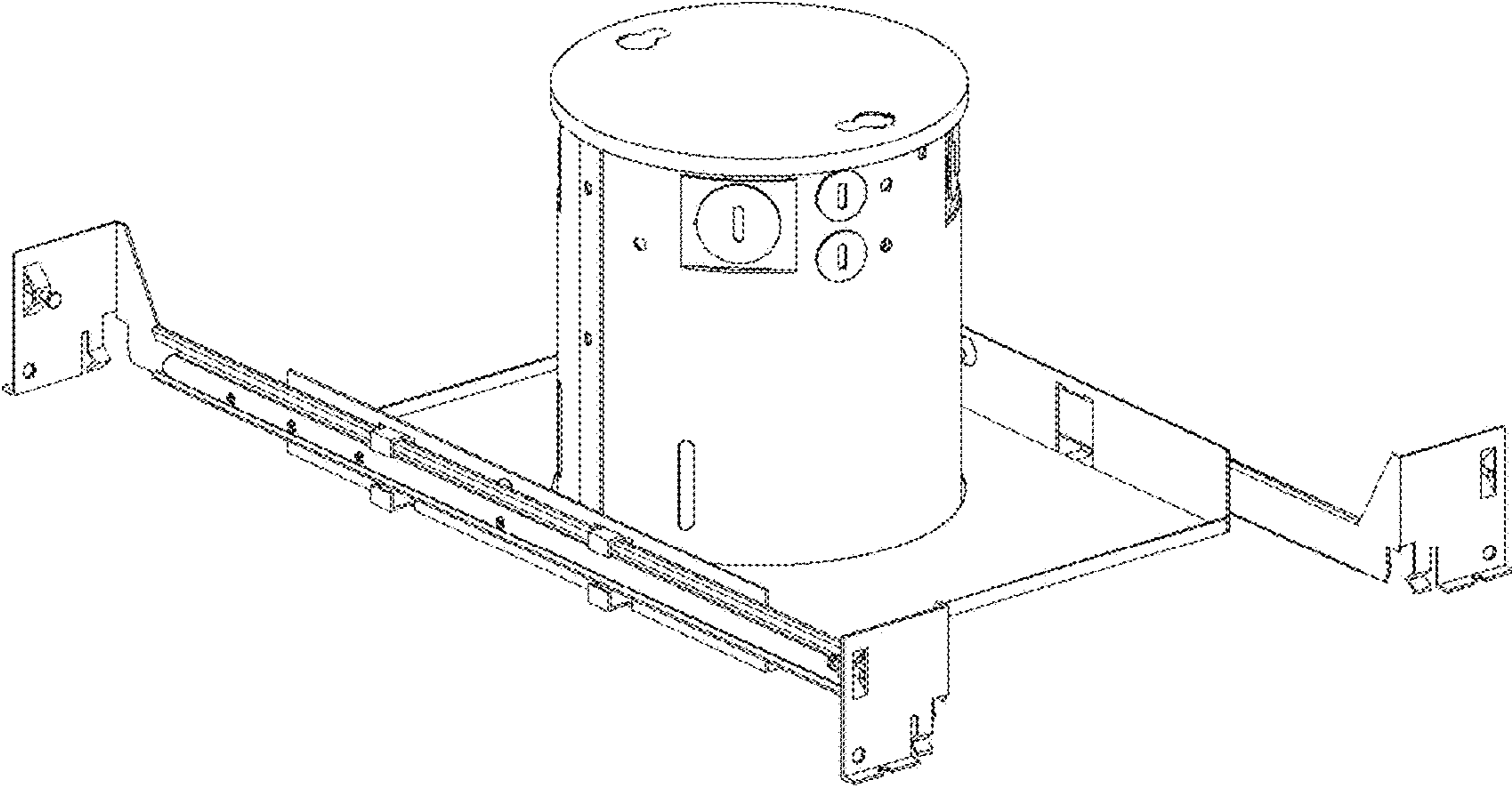


FIG. 7

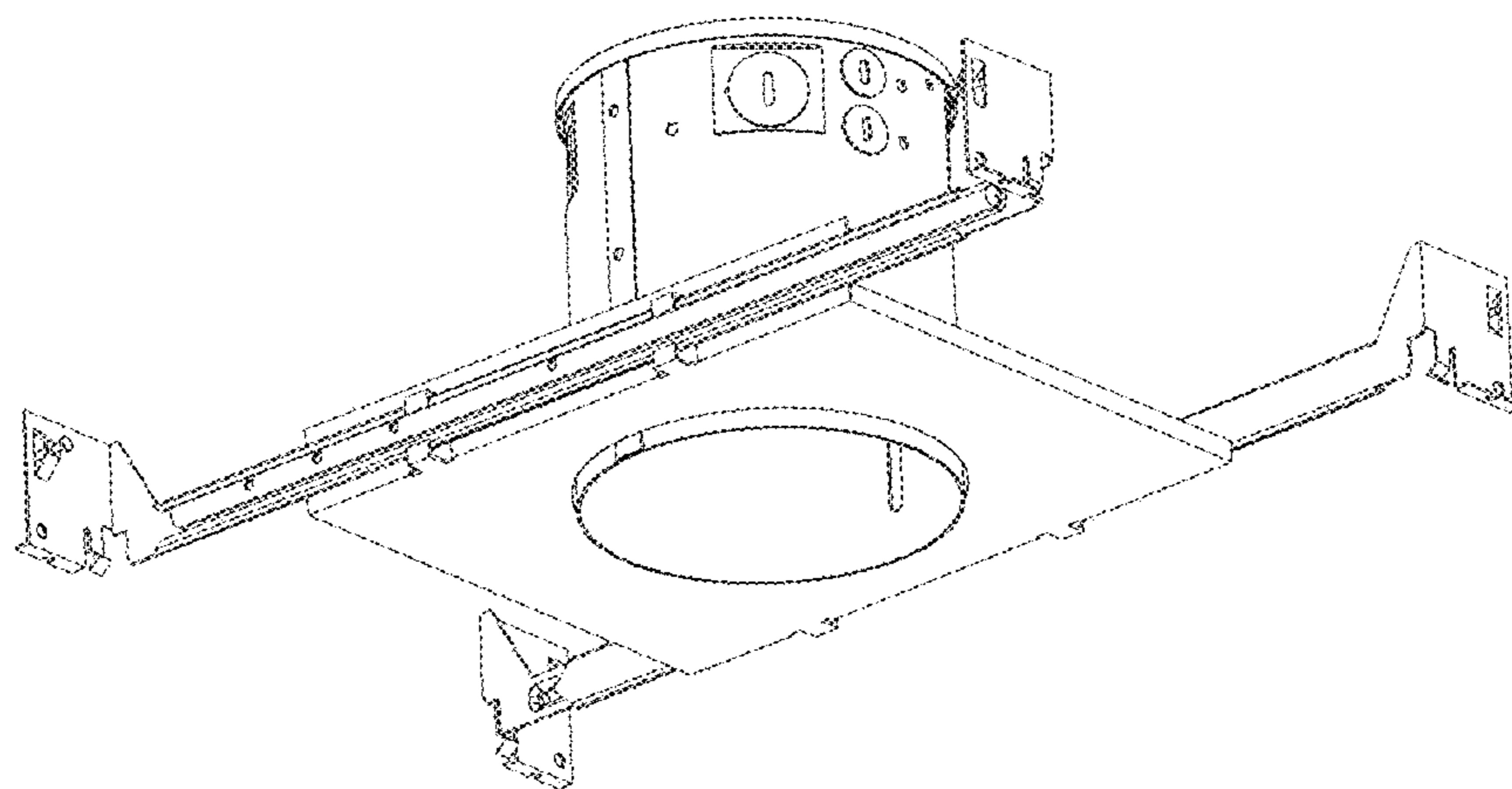


FIG. 8