



US00D789937S

(12) **United States Design Patent**
Zhang

(10) **Patent No.:** **US D789,937 S**

(45) **Date of Patent:** **** Jun. 20, 2017**

(54) **CASE FOR PORTABLE DEVICE**

(71) Applicant: **Lina Zhang**, College Point, NY (US)

(72) Inventor: **Lina Zhang**, College Point, NY (US)

(**) Term: **15 Years**

(21) Appl. No.: **29/583,945**

(22) Filed: **Nov. 10, 2016**

(51) **LOC (10) Cl.** **14-02**

(52) **U.S. Cl.**

USPC **D14/440**

(58) **Field of Classification Search**

USPC D14/250, 440, 447; 206/45.23, 320,
206/45.2; 361/679.55; 294/25; 224/218,
224/222; D9/414; D3/29; D11/3

CPC G06F 1/1628; G06F 1/1667; G06F 1/1626;
A47B 23/044; H04B 1/3888; A45C 11/00

See application file for complete search history.

(56) **References Cited**

U.S. PATENT DOCUMENTS

7,965,500 B1	6/2011	Bruce et al.	
8,245,842 B2	8/2012	Bau	
D670,279 S	11/2012	Veltz et al.	
D671,932 S	12/2012	Azoulay	
D682,816 S	5/2013	Fathollahi	
D685,358 S	7/2013	Armstrong et al.	
D687,438 S *	8/2013	Lu	D14/440
8,544,644 B2	10/2013	Meehan	
8,584,847 B2	11/2013	Tages et al.	
D709,869 S	7/2014	Witter et al.	
8,774,882 B2	7/2014	Tages et al.	
D710,859 S *	8/2014	Mecchella	D14/440
D717,775 S	11/2014	Hemesath et al.	
D719,144 S	12/2014	Eulette	
D724,093 S *	3/2015	Dong	D14/440
D725,116 S	3/2015	Li	
D733,154 S *	6/2015	Armstrong	D14/440
D733,698 S	7/2015	Suzuki et al.	
9,075,570 B2	7/2015	Yuan	

D737,276 S *	8/2015	Armstrong	D14/440
9,098,238 B2	8/2015	Richardson et al.	
D742,868 S	11/2015	Odhwani	
D742,869 S	11/2015	Odhwani	
D743,967 S *	11/2015	Huang	D14/440
9,182,785 B2	11/2015	Wynner et al.	
9,241,053 B2	1/2016	Ashley et al.	
9,247,795 B2	2/2016	Kim	
9,266,664 B2	2/2016	Bau	
D754,115 S	4/2016	Lin	
9,363,912 B2	6/2016	Senatori	
D764,451 S	8/2016	Hung et al.	

(Continued)

FOREIGN PATENT DOCUMENTS

WO WO2013069005 A3 5/2013

Primary Examiner — Cynthia Underwood

(74) *Attorney, Agent, or Firm* — Jeanette Meng Nakagawa

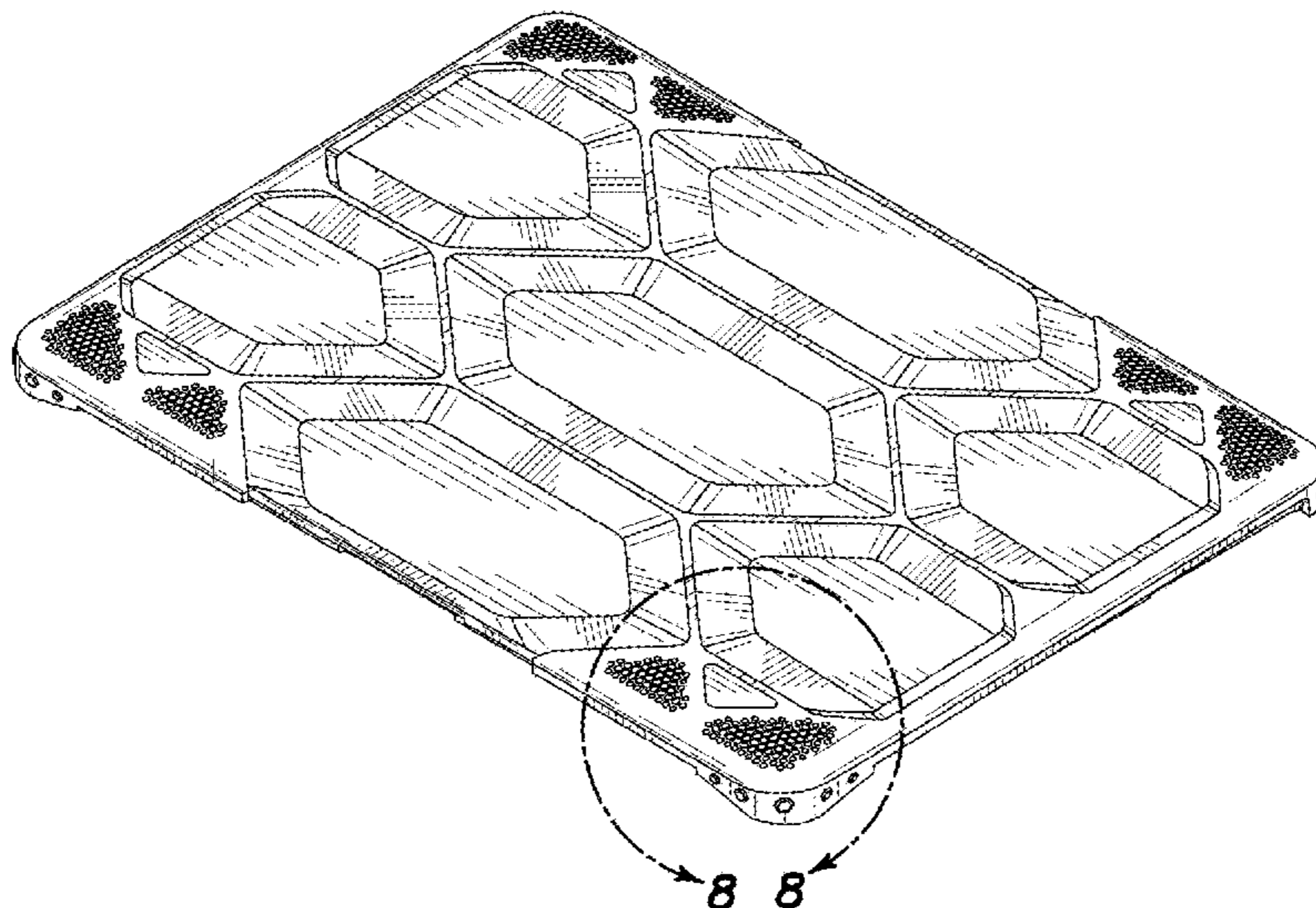
(57) **CLAIM**

The ornamental design for a case for portable device, as shown and described.

DESCRIPTION

FIG. 1 is a perspective view from above of a case for portable device showing my new design;
 FIG. 2 is a front view thereof;
 FIG. 3 is a right side view thereof;
 FIG. 4 is a top view thereof;
 FIG. 5 is a back view thereof;
 FIG. 6 is a left side view thereof;
 FIG. 7 is a bottom view thereof;
 FIG. 8 is a perspective view of an enlarged area 8 of FIG. 1;
 FIG. 9 is a front view of the enlarged area 8; and,
 FIG. 10 is a right side view of the enlarged area 8.
 The broken lines represent portions of the invention that form no part of the claim.

1 Claim, 4 Drawing Sheets



(56)

References Cited

U.S. PATENT DOCUMENTS

D766,249 S *	9/2016	Veltz	D14/440
D766,885 S	9/2016	Armstrong et al.	
2004/0025993 A1	2/2004	Russell	
2008/0308437 A1	12/2008	Lin	
2014/0069825 A1	3/2014	Macrina et al.	
2014/0220270 A1	8/2014	Hung	
2015/0068934 A1	3/2015	Armstrong	
2015/0327657 A1	11/2015	Roberts et al.	
2016/0058143 A1	3/2016	Tien	
2016/0182114 A1	6/2016	Tien	
2016/0198026 A1	7/2016	Del Toro et al.	

* cited by examiner

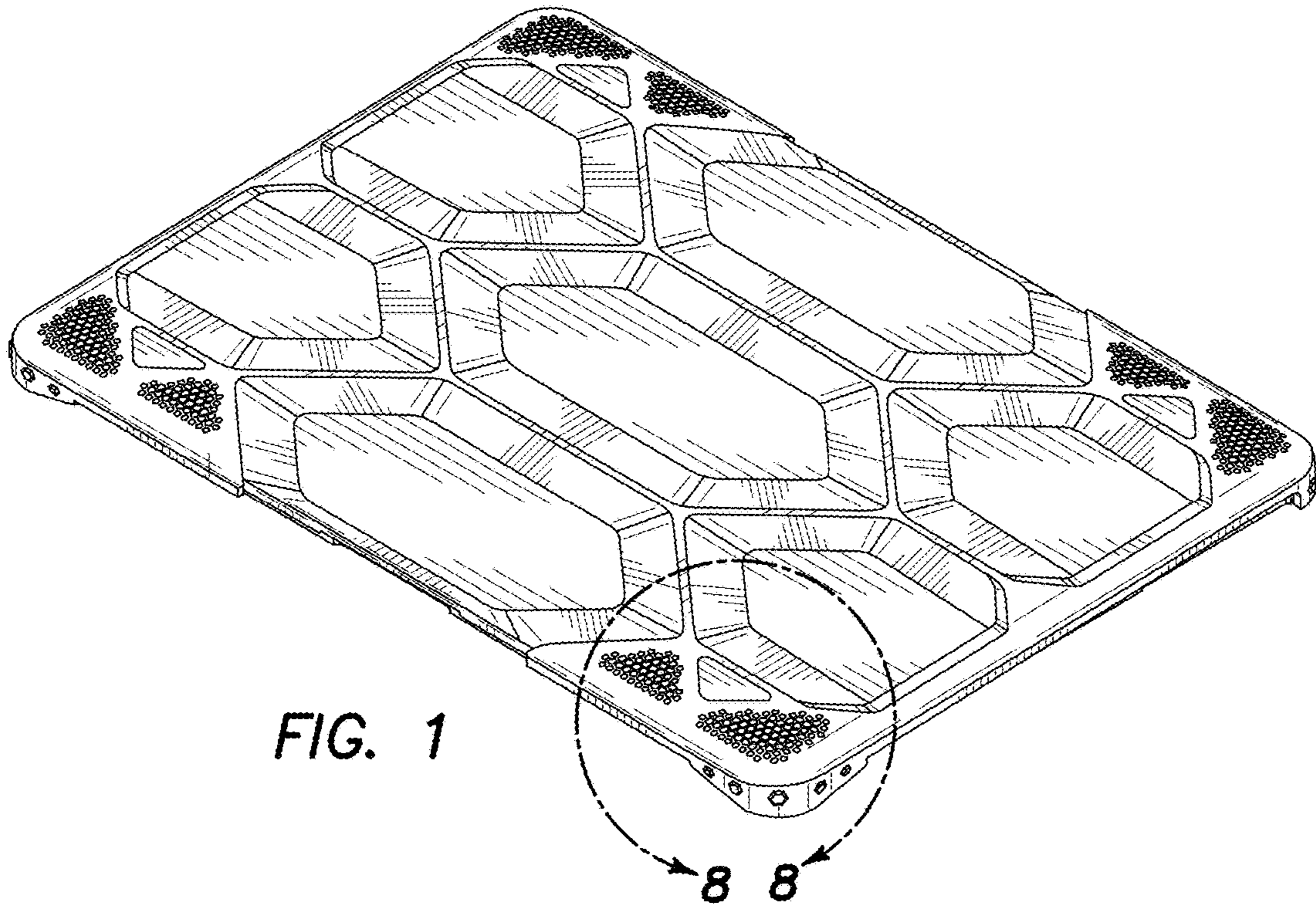


FIG. 2

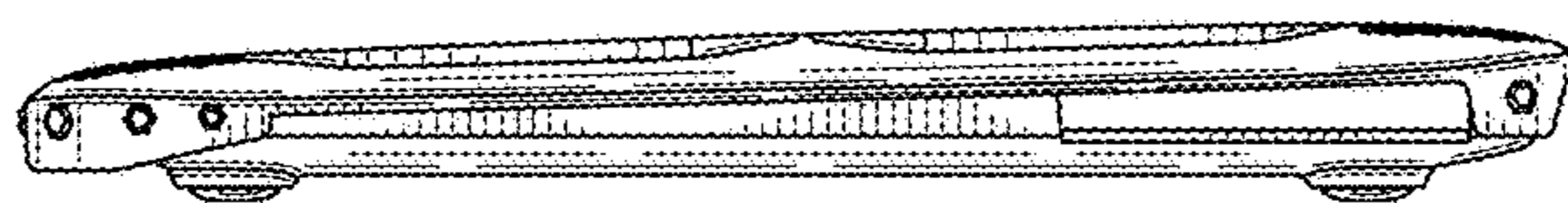


FIG. 3

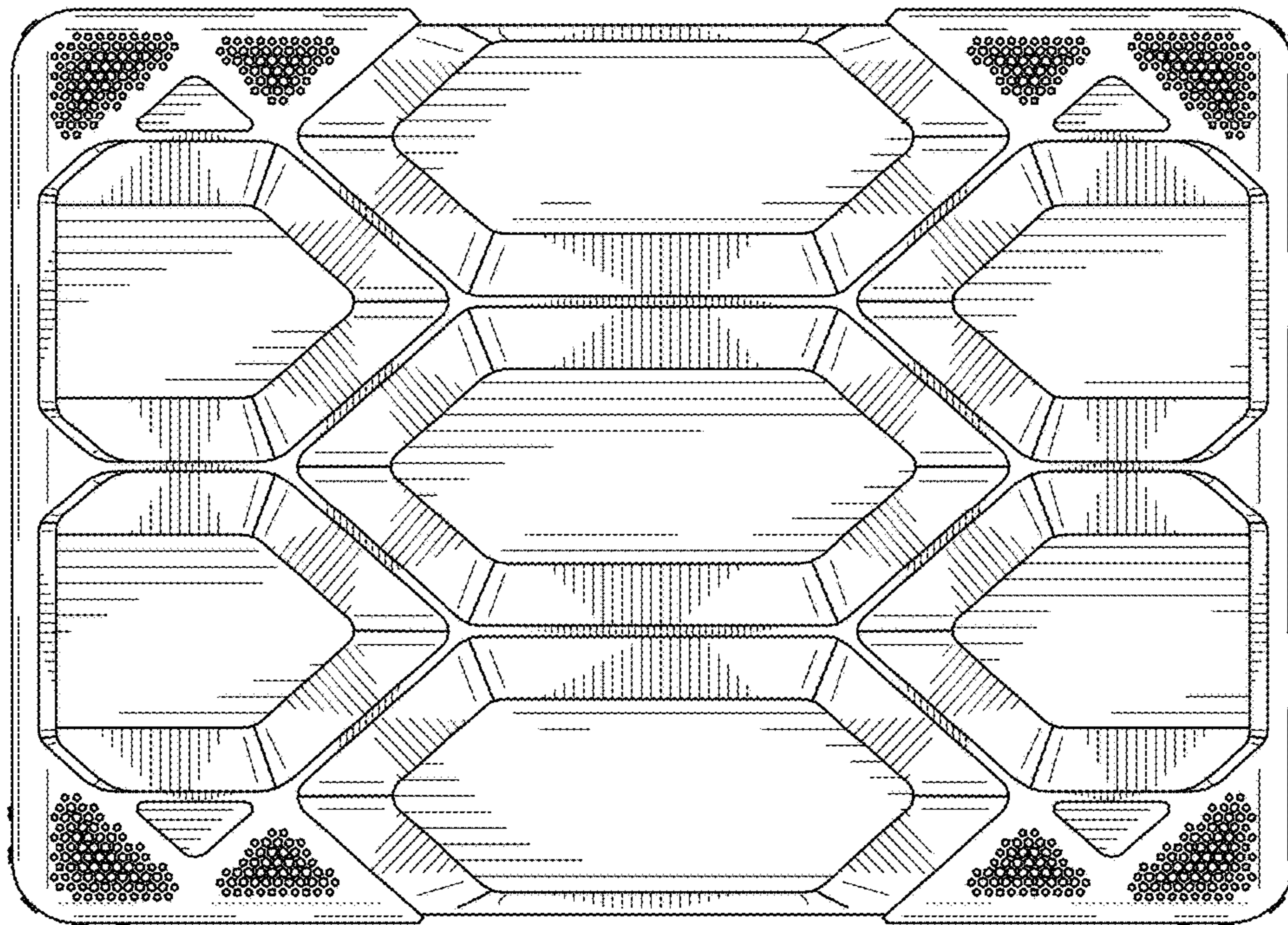


FIG. 4

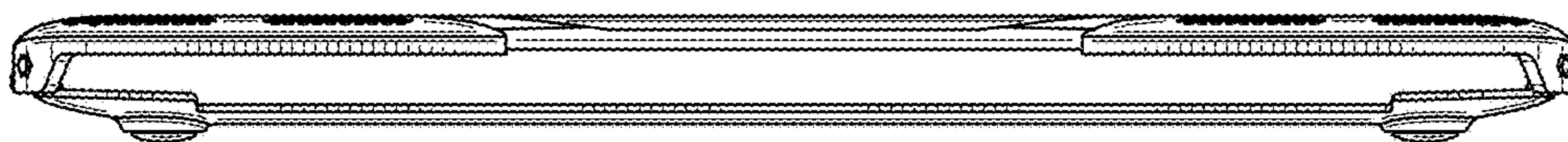


FIG. 5

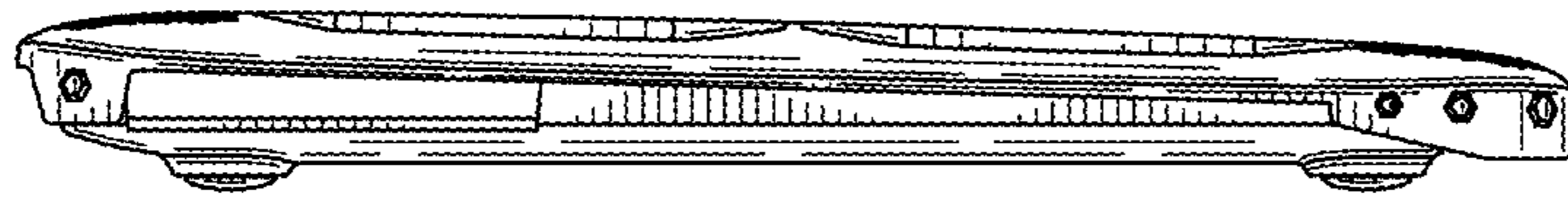


FIG. 6

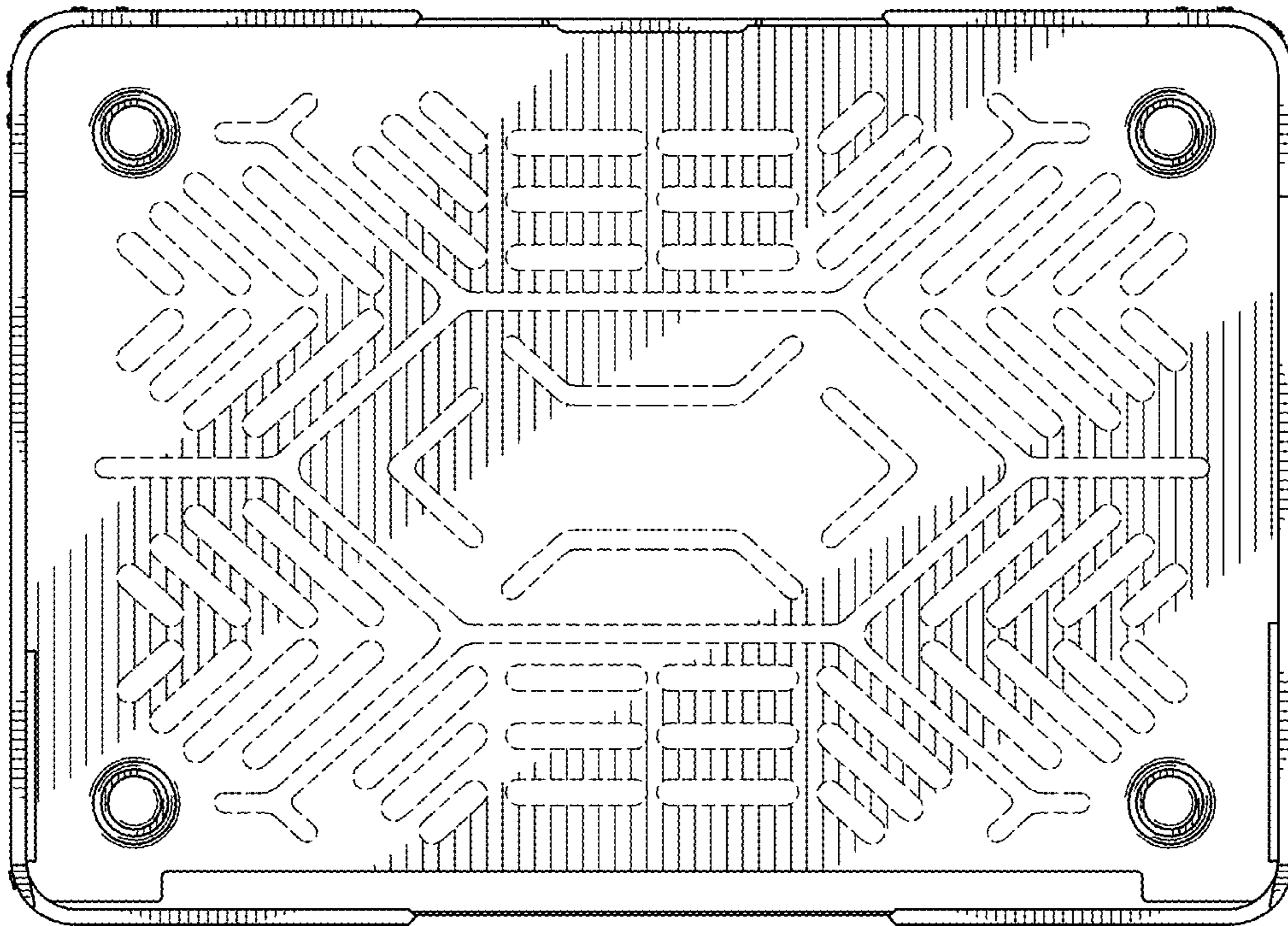


FIG. 7

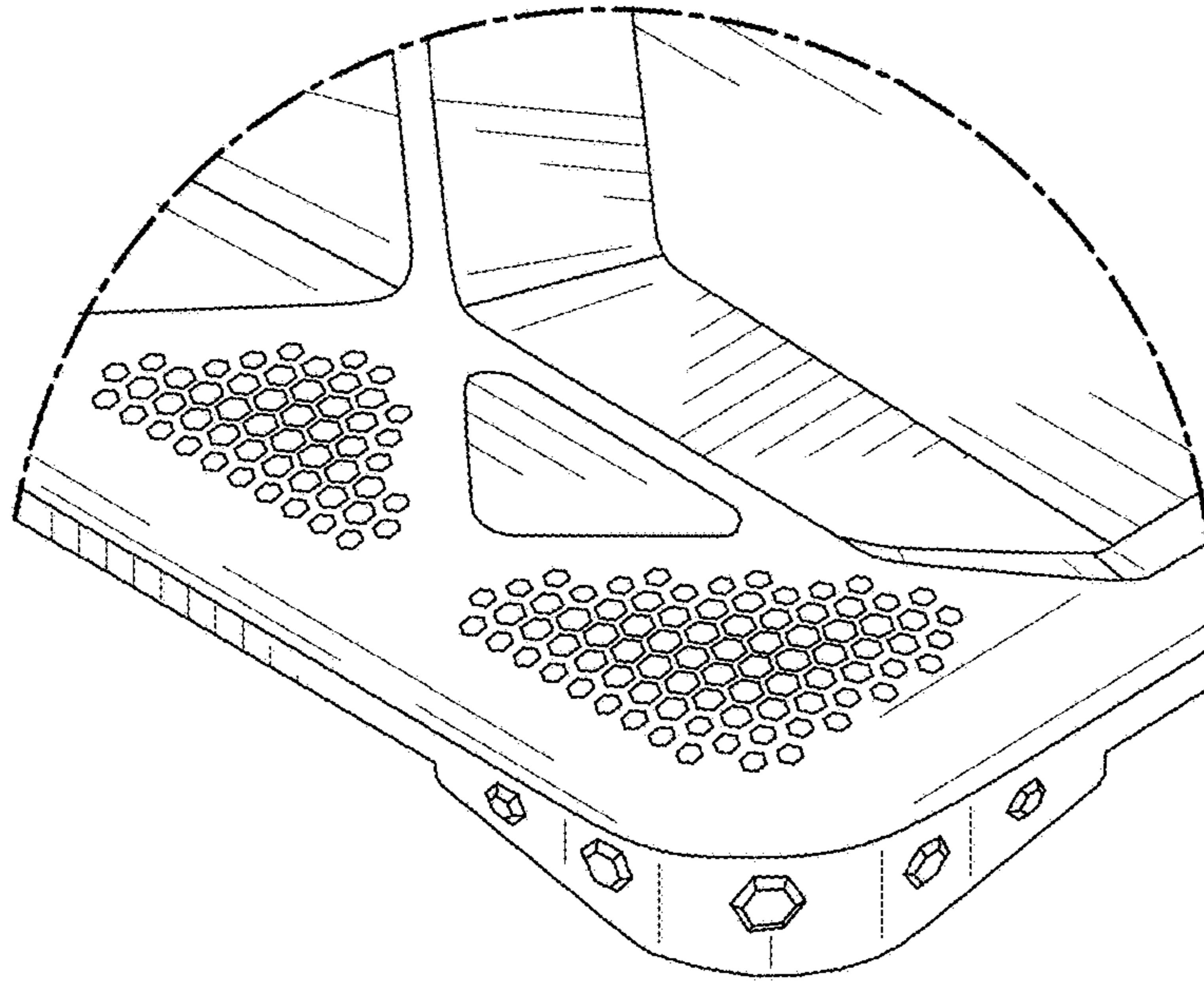


FIG. 8

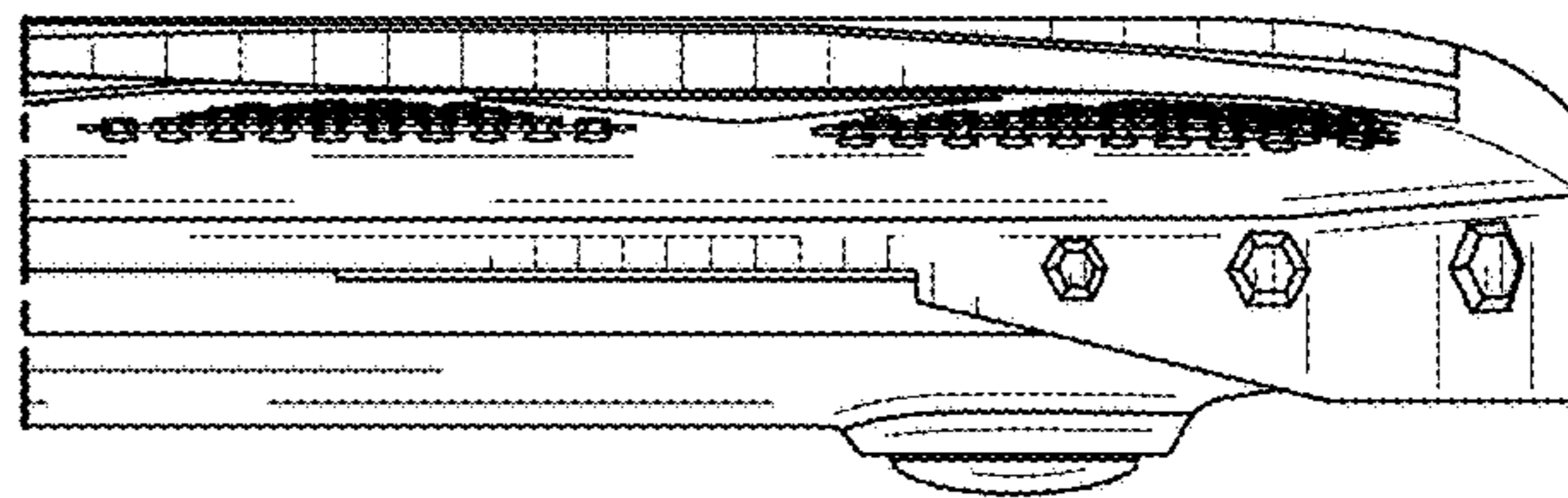


FIG. 9

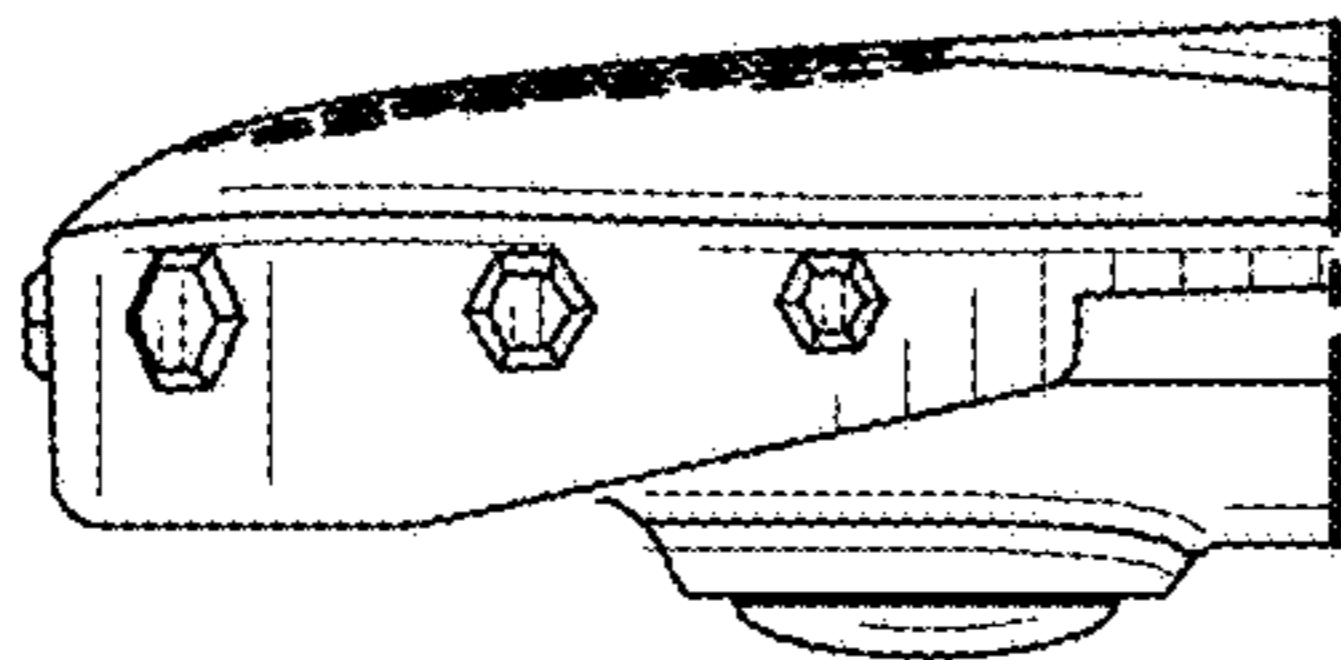


FIG. 10