



US00D789936S

(12) **United States Design Patent**
Nyholm

(10) **Patent No.:** **US D789,936 S**
(45) **Date of Patent:** **** Jun. 20, 2017**

(54) **CASE FOR A TABLET COMPUTER**

(71) Applicant: **STM Management Pty Ltd,**
Alexandria (AU)

(72) Inventor: **Ethan Nyholm,** North Bondi (AU)

(73) Assignee: **STM Management Pty Ltd,**
Alexandria, NSW (AU)

(**) Term: **15 Years**

(21) Appl. No.: **29/531,886**

(22) Filed: **Jun. 30, 2015**

(51) **LOC (10) Cl.** **07-01**

(52) **U.S. Cl.**
USPC **D14/440**

(58) **Field of Classification Search**
USPC D14/440, 250, 447; 206/45.23, 320,
206/45.2; 361/679.55; 294/25; 224/218;
D9/418, 414; D19/101, 107, 106, 81, 75,
D19/65, 78; D3/206, 208
CPC G06F 1/1628; G06F 1/1626; G06F 1/1667;
A47B 23/044; H04B 1/3888; A45C
11/00; A45C 3/02; H05K 5/0217
See application file for complete search history.

(56) **References Cited**

U.S. PATENT DOCUMENTS

- 59,618 A * 11/1866 Mahon A45C 11/18
206/39
- 2,528,695 A * 11/1950 King B42F 9/00
281/45
- 4,815,880 A * 3/1989 Sekiguchi B43K 5/005
211/69.9
- D366,146 S * 1/1996 Bertrand D19/78
- 5,498,089 A * 3/1996 Motyka B42F 13/406
281/30
- D385,299 S * 10/1997 Adams D14/342
- 5,769,213 A * 6/1998 Chatterton A45C 1/06
15/435

- D410,951 S * 6/1999 Schwarzwaelder D19/135
- 6,016,248 A * 1/2000 Anzai G06F 1/1626
248/463
- 6,726,070 B2 * 4/2004 Lautner A44C 5/0007
224/221
- D508,954 S * 8/2005 Cetera D19/65
- 6,926,151 B1 * 8/2005 Perry B65D 85/20
206/214

(Continued)

Primary Examiner — Cynthia Underwood

(74) *Attorney, Agent, or Firm* — Christensen, Fonder,
Dardi & Herbert PLLC

(57) **CLAIM**

I claim the ornamental design for case for a tablet computer,
as shown and described.

DESCRIPTION

FIG. 1 is a front perspective view of a case for a tablet computer, depicting a flap in an open position, according to the embodiment of the invention;

FIG. 2 is a front perspective view of the case for a tablet computer of FIG. 1, depicting the flap in a closed position;

FIG. 3 is a another front, perspective view of the case for a tablet computer of FIG. 1, depicting the flap in an open position;

FIG. 4 is a detail view of the case for a tablet computer as depicted in FIG. 3;

FIG. 5 is a front view of the case for a tablet computer of FIG. 1, depicting the flap in a closed position;

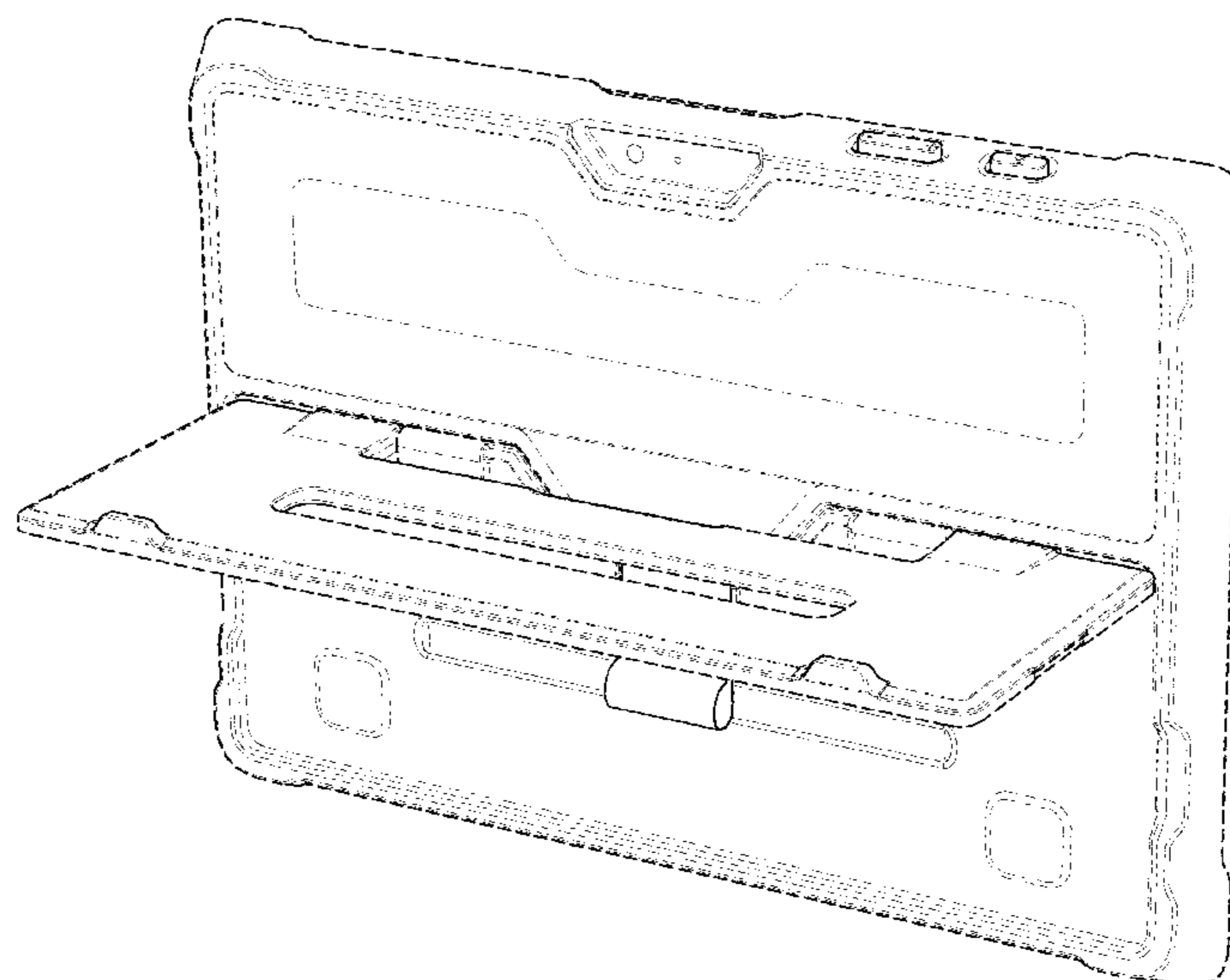
FIG. 6 is a front view of the case for a tablet computer of FIG. 1, depicting the flap in an open position;

FIG. 7 is a right-side view of the case for a tablet computer of FIG. 1, depicting the flap in a closed position; and,

FIG. 8 is a right-side view of the case for a tablet computer of FIG. 1, depicting the flap in an open position.

The broken lines represent portions of the structure that forms no part of the claim.

1 Claim, 7 Drawing Sheets



(56)

References Cited

U.S. PATENT DOCUMENTS

D522,583 S * 6/2006 Goserud D19/78
D645,505 S * 9/2011 Melnick D19/2
8,555,938 B2 * 10/2013 Costello A45C 1/06
150/135
D704,769 S * 5/2014 Penington D19/81
8,833,819 B2 * 9/2014 Chen A45C 11/00
224/217
8,944,715 B2 * 2/2015 Yoder B43K 5/005
401/131
D744,745 S * 12/2015 Fischer D3/208
D755,504 S * 5/2016 Thomson D3/206
D765,085 S * 8/2016 Moore D14/440
9,407,743 B1 * 8/2016 Hirshberg H04M 1/04
2011/0267748 A1 * 11/2011 Lane A45F 5/00
361/679.01
2011/0309117 A1 * 12/2011 Roberts A45F 5/00
224/217

* cited by examiner

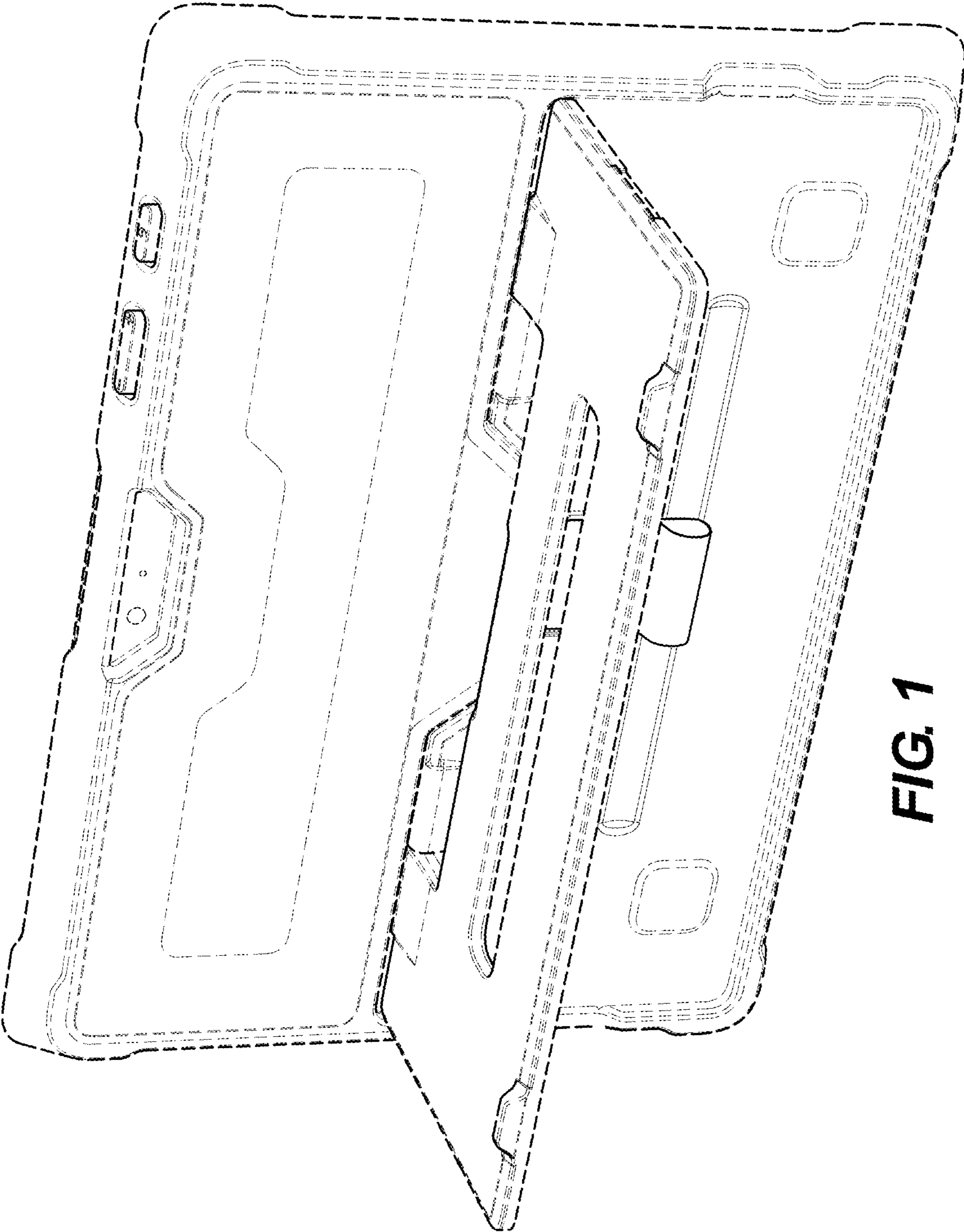


FIG. 1

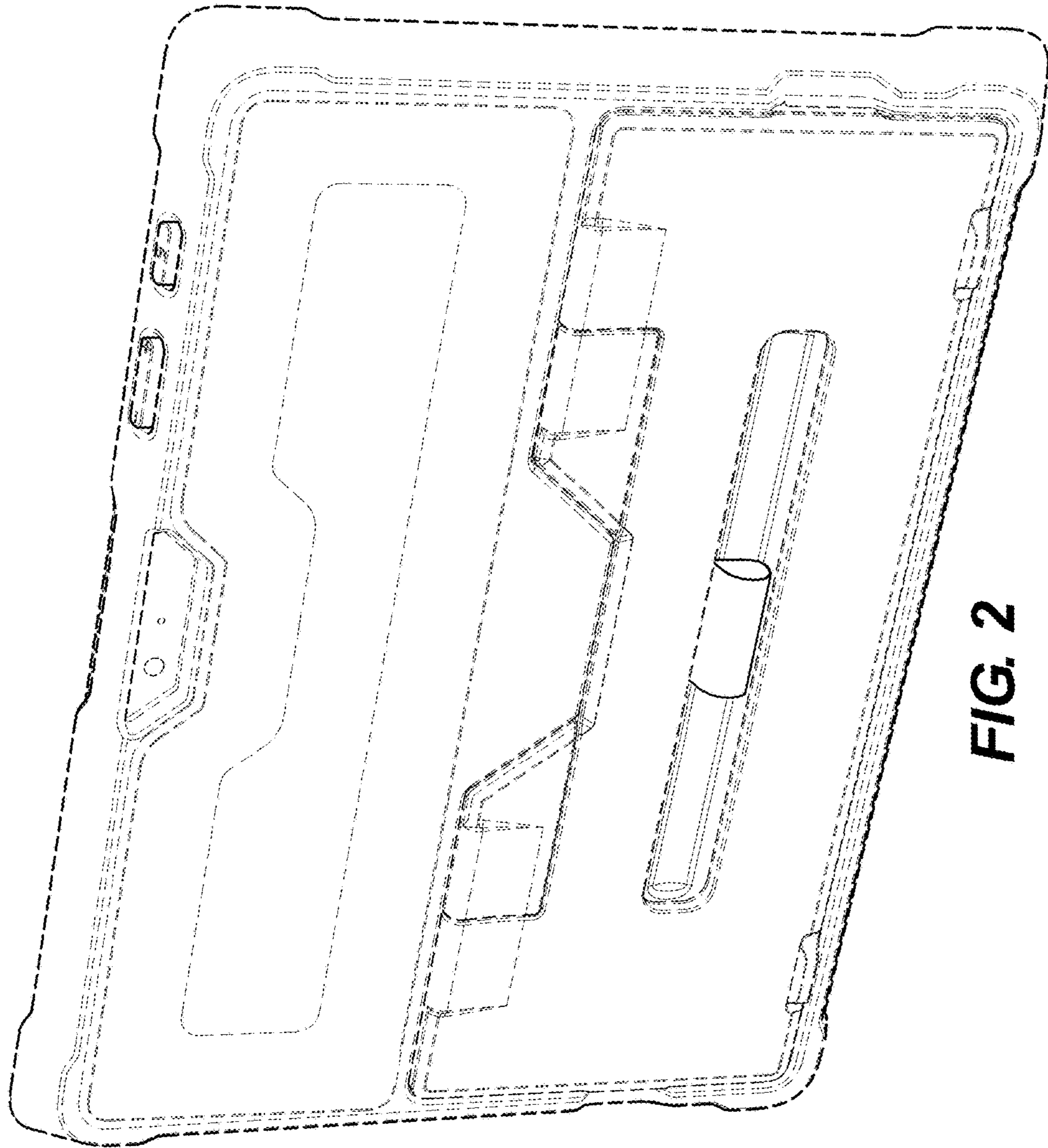


FIG. 2

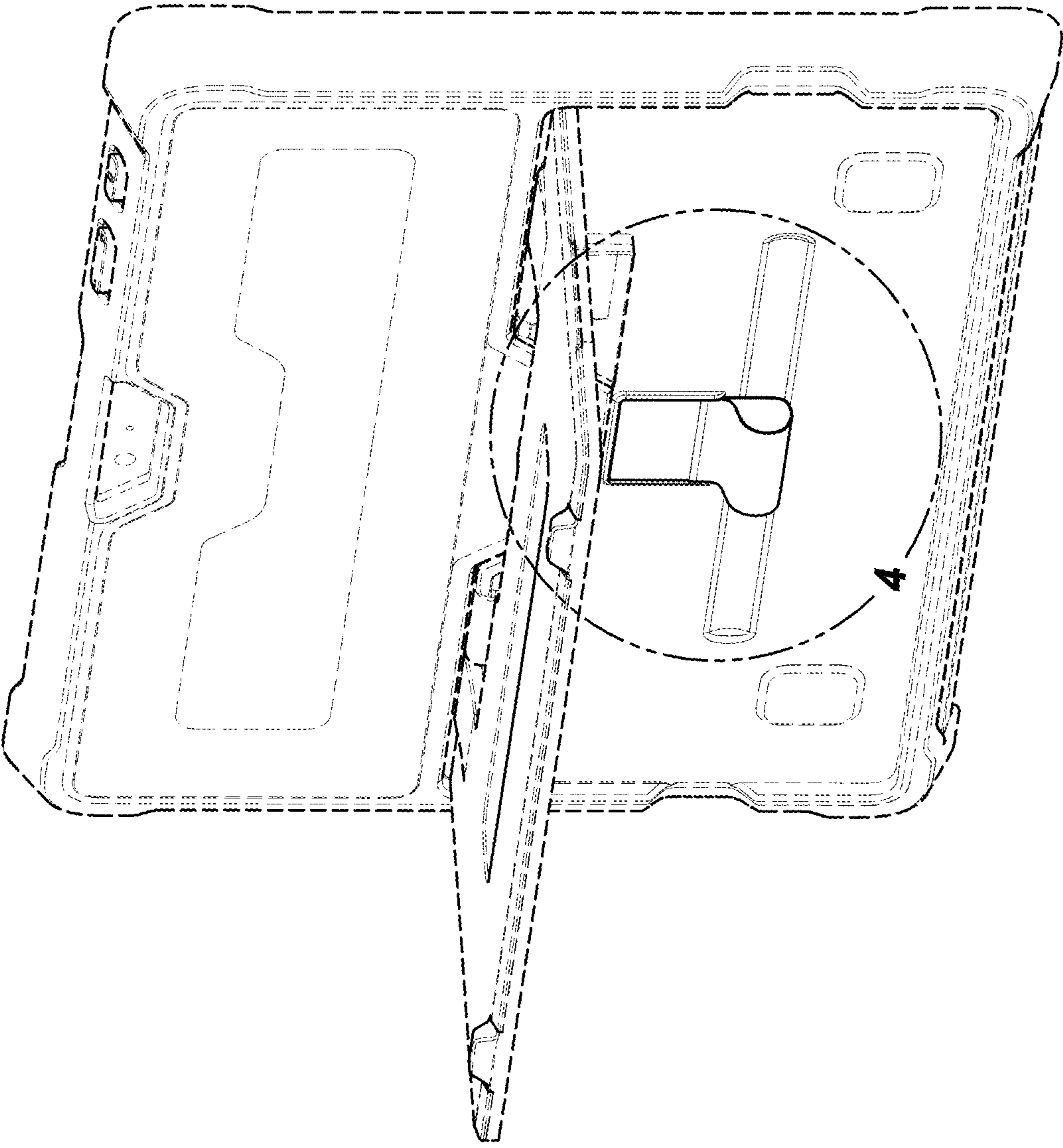


FIG. 3

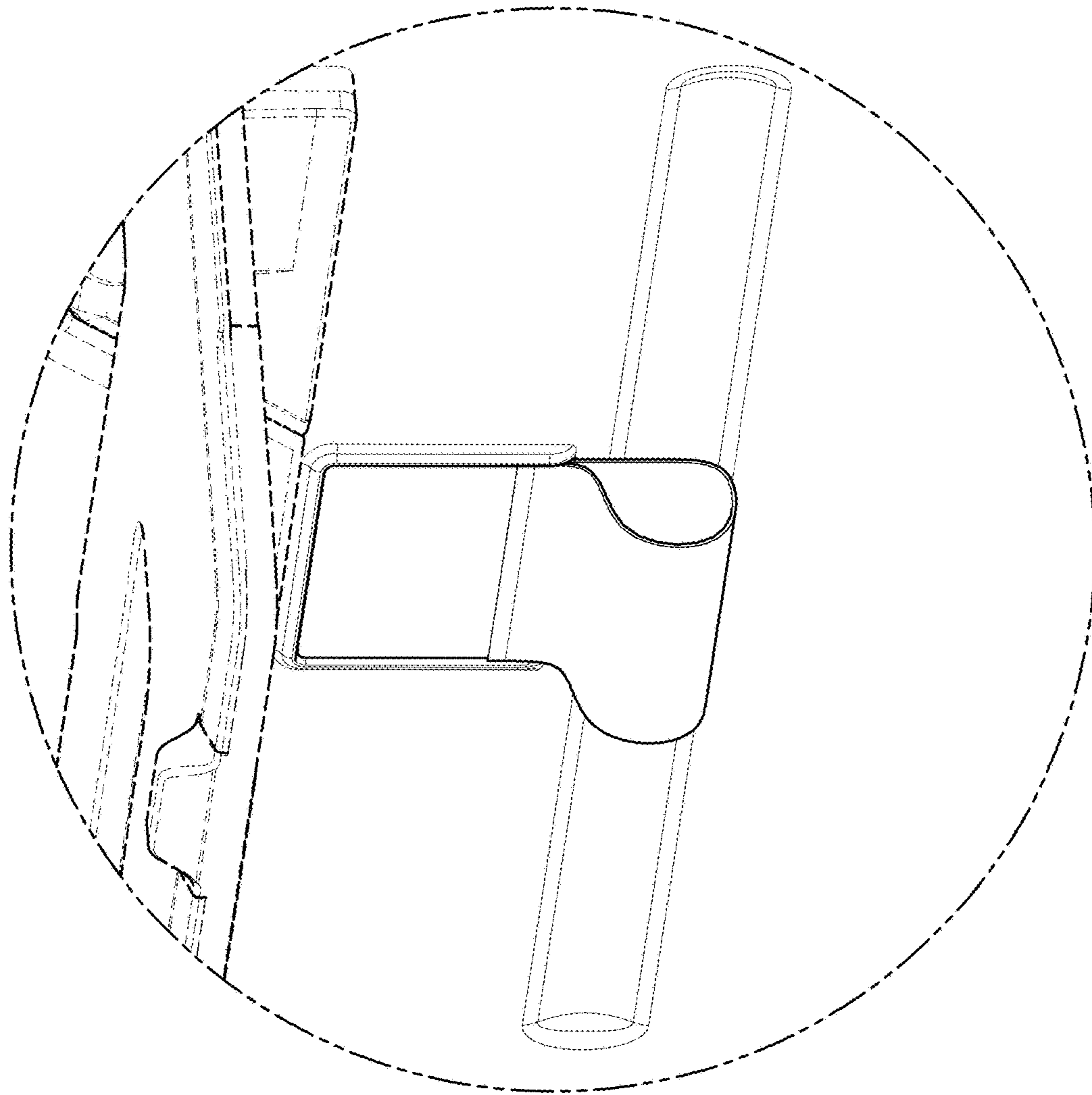


FIG. 4

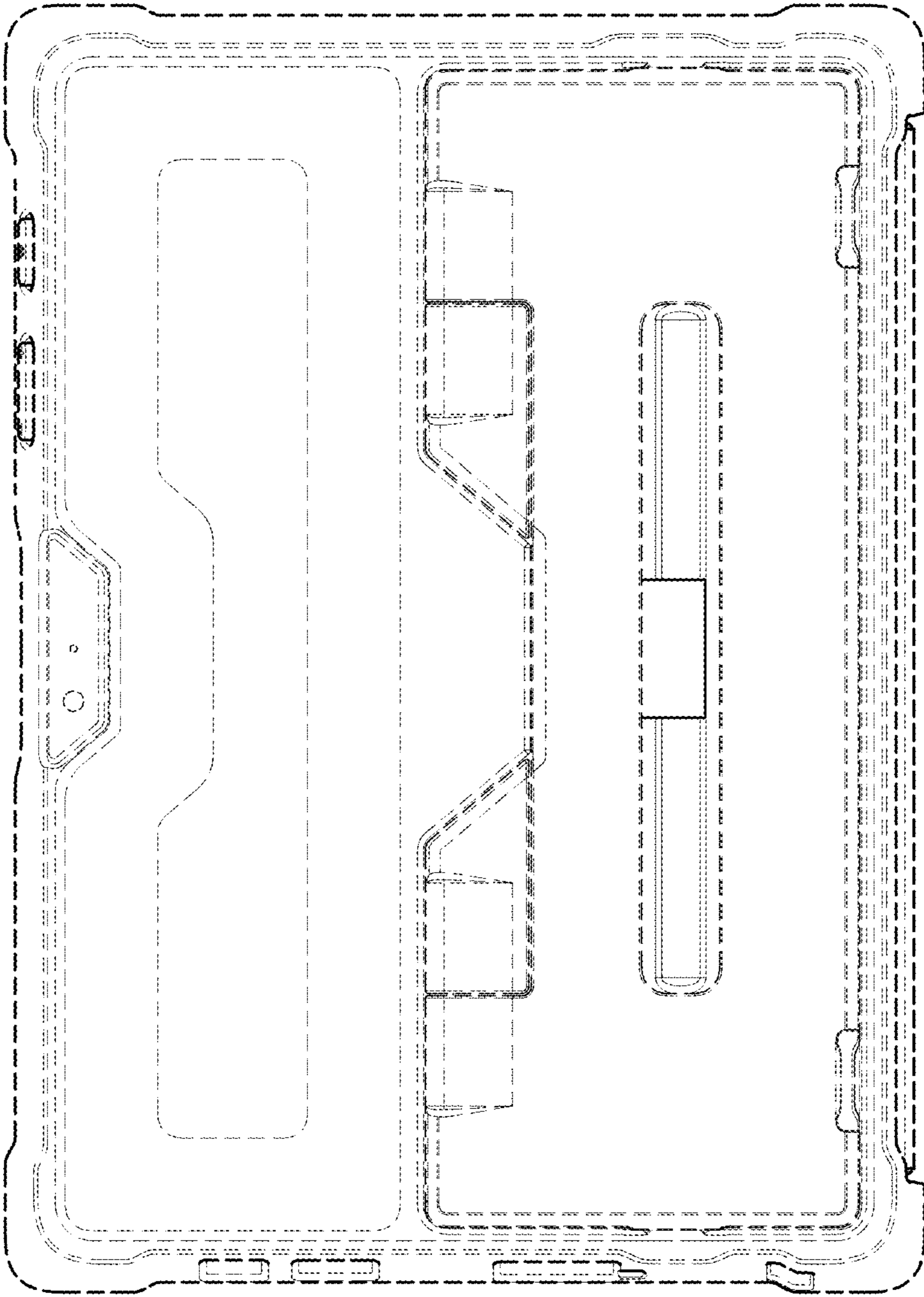


FIG. 5

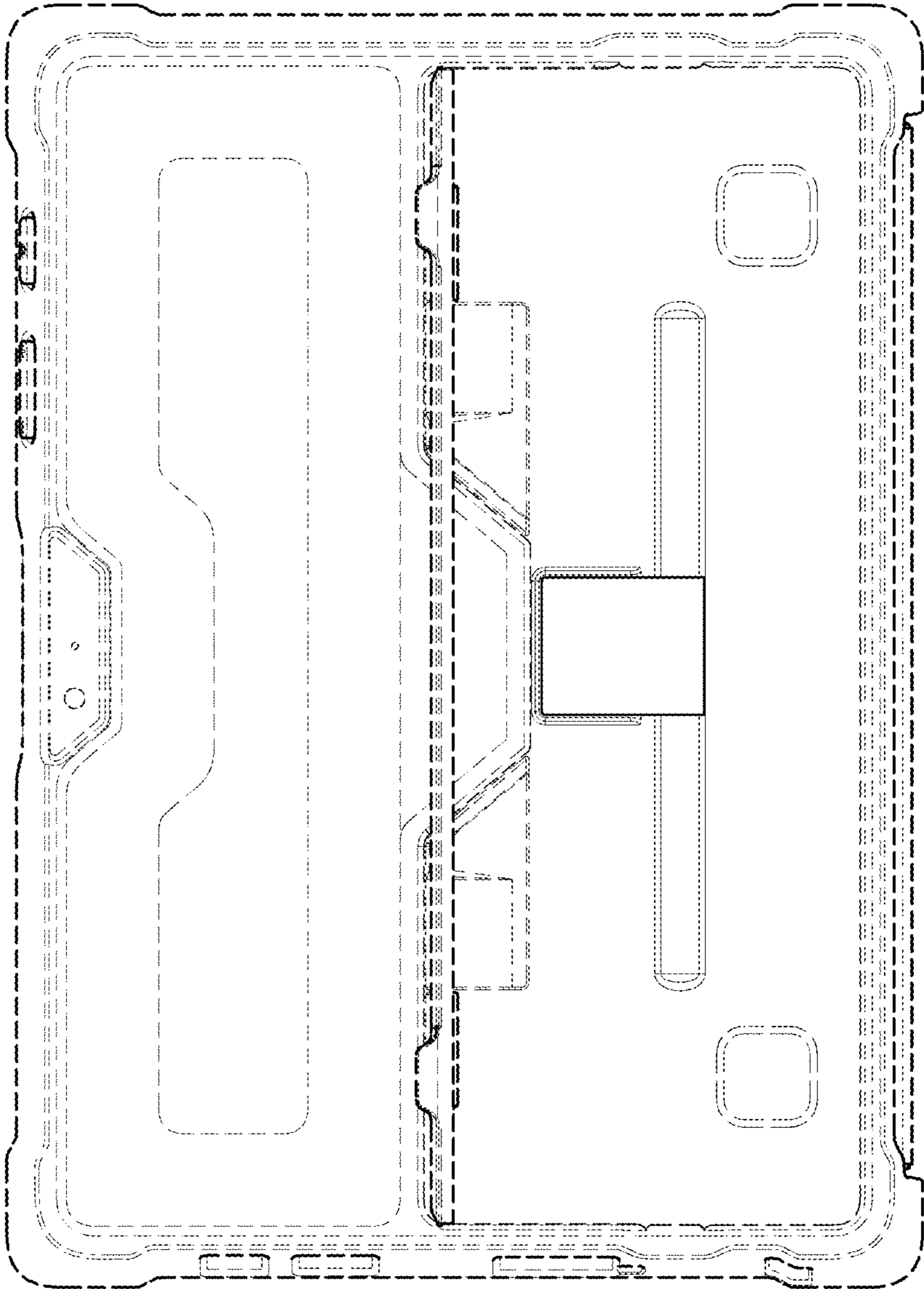


FIG. 6

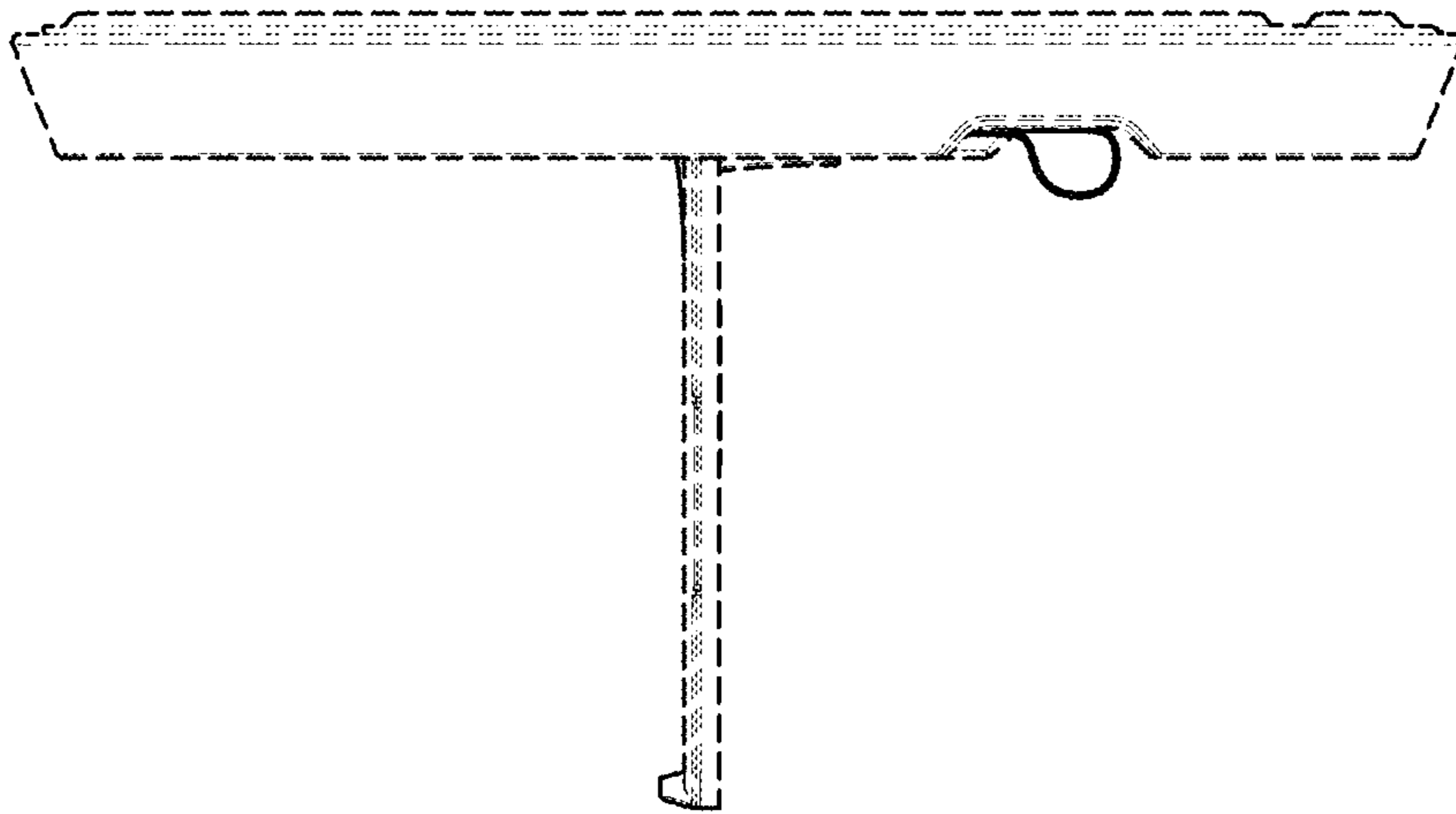


FIG. 8

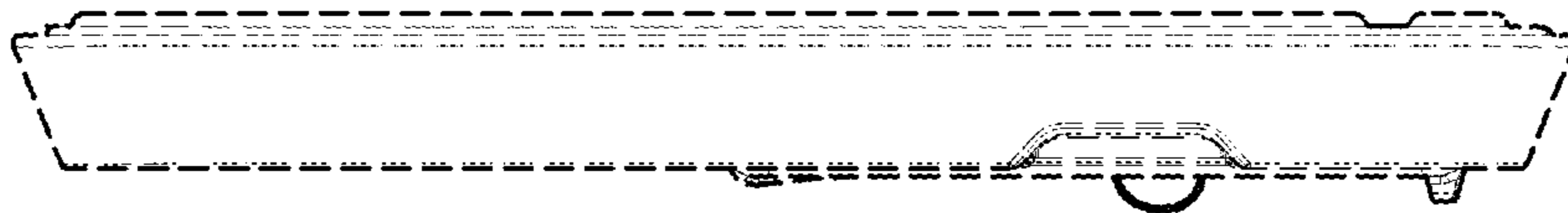


FIG. 7