



US00D789931S

(12) **United States Design Patent**
Drew et al.

(10) **Patent No.:** **US D789,931 S**
(45) **Date of Patent:** **** Jun. 20, 2017**

(54) **VEHICLE DATA ACQUISITION DEVICE**

(71) Applicant: **Drew Technologies, Inc.**, Ann Arbor, MI (US)

(72) Inventors: **Michael Drew**, Dexter, MI (US); **Brian Herron**, Dexter, MI (US)

(73) Assignee: **DREW TECHNOLOGIES, INC.**, Ann Arbor, MI (US)

(**) Term: **15 Years**

(21) Appl. No.: **29/557,641**

(22) Filed: **Mar. 10, 2016**

(51) **LOC (10) Cl.** **14-02**

(52) **U.S. Cl.**
USPC **D14/357**

(58) **Field of Classification Search**
USPC D14/356–358, 388, 496, 137, 140, 140.1, D14/140.2, 155, 225, 226, 230, 240, 242, D14/243, 299, 300, 301, 302, 314, 328, D14/348, 349, 353, 354; D13/123, 158, D13/162, 162.1, 164, 168, 171–174, 184, D13/199; D10/46, 49, 75, 80, 103, 104.1
CPC G06F 1/00; G06F 1/1658; G06F 1/1656; G06F 1/1626; G06F 1/181; G06F 1/184; G06F 1/186; G06F 1/187; G07C 5/00; G07C 5/008; G07C 5/08; G07C 5/0808; G07C 5/0816; G07C 5/085; G07C 5/0858; G01D 5/00; G01D 5/12; B60R 16/0232

See application file for complete search history.

(56) **References Cited**

U.S. PATENT DOCUMENTS

D269,345 S * 6/1983 Payne, Jr. D14/242
D315,554 S * 3/1991 Hill D14/357
D327,880 S * 7/1992 Lou D13/147
5,130,891 A * 7/1992 Christie B60R 11/02
330/65
D331,394 S * 12/1992 Kobayashi D14/242

D332,443 S * 1/1993 Sharpe D13/184
D346,607 S * 5/1994 Bhargava D14/242
D353,598 S * 12/1994 Brandt D14/242
D408,812 S * 4/1999 Danis D14/137

(Continued)

OTHER PUBLICATIONS

Autel MaxiSys Pro Vehicle Diagnostics and Reprogramming. youtube.com. (online video) 1 pg. Published Dec. 31, 2013. [retrieved on Apr. 17, 2017] <https://www.youtube.com/watch?v=JKrQVFndEs>.*

(Continued)

Primary Examiner — Susan Bennett Hattan

Assistant Examiner — Marie Fast Horse

(74) *Attorney, Agent, or Firm* — Brinks Gilson & Lione

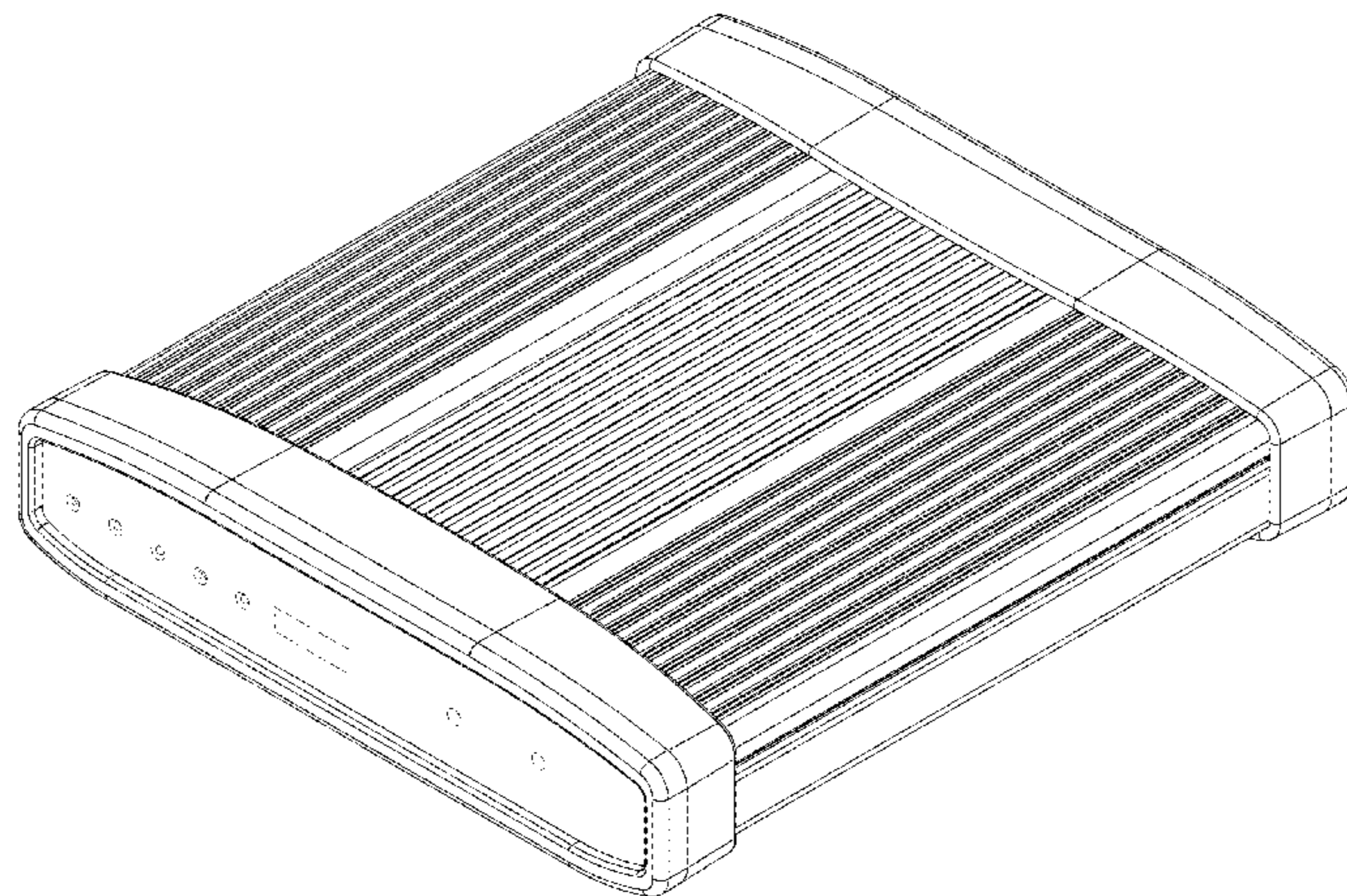
(57) **CLAIM**

The ornamental design for a vehicle data acquisition device, as shown and described.

DESCRIPTION

FIG. 1 is a front perspective view of the vehicle data acquisition device of the present invention; FIG. 2 is a front view of the vehicle data acquisition device shown in FIG. 1; FIG. 3 is a rear view of the vehicle data acquisition device shown in FIG. 1; FIG. 4 is a left side view of the vehicle data acquisition device shown in FIG. 1; FIG. 5 is a right side view of the vehicle data acquisition device shown in FIG. 1; FIG. 6 is a top view of the vehicle data acquisition device shown in FIG. 1; and, FIG. 7 is a bottom view of the vehicle data acquisition device shown in FIG. 1. The drawings include broken lines, which depict the portions of the vehicle data acquisition device that form no part of the claimed design.

1 Claim, 5 Drawing Sheets



(56)

References Cited

U.S. PATENT DOCUMENTS

D415,157 S * 10/1999 Rabbani D14/188
 D424,026 S * 5/2000 Kabat D13/184
 D426,225 S * 6/2000 Davis D10/46
 D427,193 S * 6/2000 Fedele D14/348
 D427,978 S * 7/2000 Kabat D13/184
 D430,873 S * 9/2000 Parker D12/400
 D453,139 S * 1/2002 Yang D13/110
 D483,725 S * 12/2003 Thompson D13/184
 D512,063 S * 11/2005 Walker D14/385
 D520,994 S * 5/2006 Weiher D14/356
 D520,997 S * 5/2006 Lee D14/356
 D530,323 S * 10/2006 Hsu D14/348
 D534,909 S * 1/2007 Weiher D14/356
 D567,808 S * 4/2008 Kanne D14/240
 D587,708 S * 3/2009 Yoshida D14/358
 D616,425 S * 5/2010 Hsia D14/240
 D632,643 S * 2/2011 Tanaka D13/103
 D639,298 S * 6/2011 Bouthillier D14/357
 D664,921 S * 8/2012 Stone D13/110
 D669,060 S * 10/2012 Huang D14/240
 D669,072 S * 10/2012 Huang D14/240
 D682,252 S * 5/2013 Behringer D14/188
 D689,858 S * 9/2013 Lo D14/357
 8,676,439 B2 * 3/2014 Huang B60R 16/0232
 701/33.2
 D701,832 S * 4/2014 Drew D13/133
 D704,184 S * 5/2014 Chen D14/308
 D710,341 S * 8/2014 Cheng D14/240
 D716,730 S * 11/2014 Liu D13/110
 D724,539 S * 3/2015 Markoski D13/122
 D725,519 S * 3/2015 Drew D10/75

D743,815 S * 11/2015 Janu D10/46
 D753,110 S * 4/2016 Takano D14/358
 9,405,333 B1 * 8/2016 Pine G06F 1/1658
 D766,223 S * 9/2016 Chen D14/240
 D768,626 S * 10/2016 Mikelson D14/300
 D783,609 S * 4/2017 Mikelson D14/356
 2005/0243534 A1 * 11/2005 Robertson G06F 1/187
 361/801
 2010/0204878 A1 * 8/2010 Drew B60R 16/0232
 701/31.4
 2011/0098879 A1 * 4/2011 Basir G07C 5/008
 701/31.4
 2014/0265592 A1 * 9/2014 Clarke H02J 1/06
 307/66
 2014/0309905 A1 * 10/2014 Drew F02D 29/02
 701/101
 2016/0117870 A1 * 4/2016 Liu G07C 5/008
 701/31.5
 2016/0124703 A1 * 5/2016 So G06F 3/165
 715/716

OTHER PUBLICATIONS

2016_CarDAQ-Plus 2_Sell Sheet-Email. drewtech.com. (online pdf) 2 pgs. (c) 2016. [retrieved on Apr. 17, 2017] http://www.drewtech.com/pdf/sell%20sheets/2016_CarDAQ-Plus%202_Sell%20Sheet-EMAIL.pdf.
 m2k Wizard Uder Manual. m2kinc.com. (online pdf) 16 pgs. [retrieved on Apr. 17, 2017] http://www.m2kinc.com/pdf/887-special_ins.pdf.

* cited by examiner

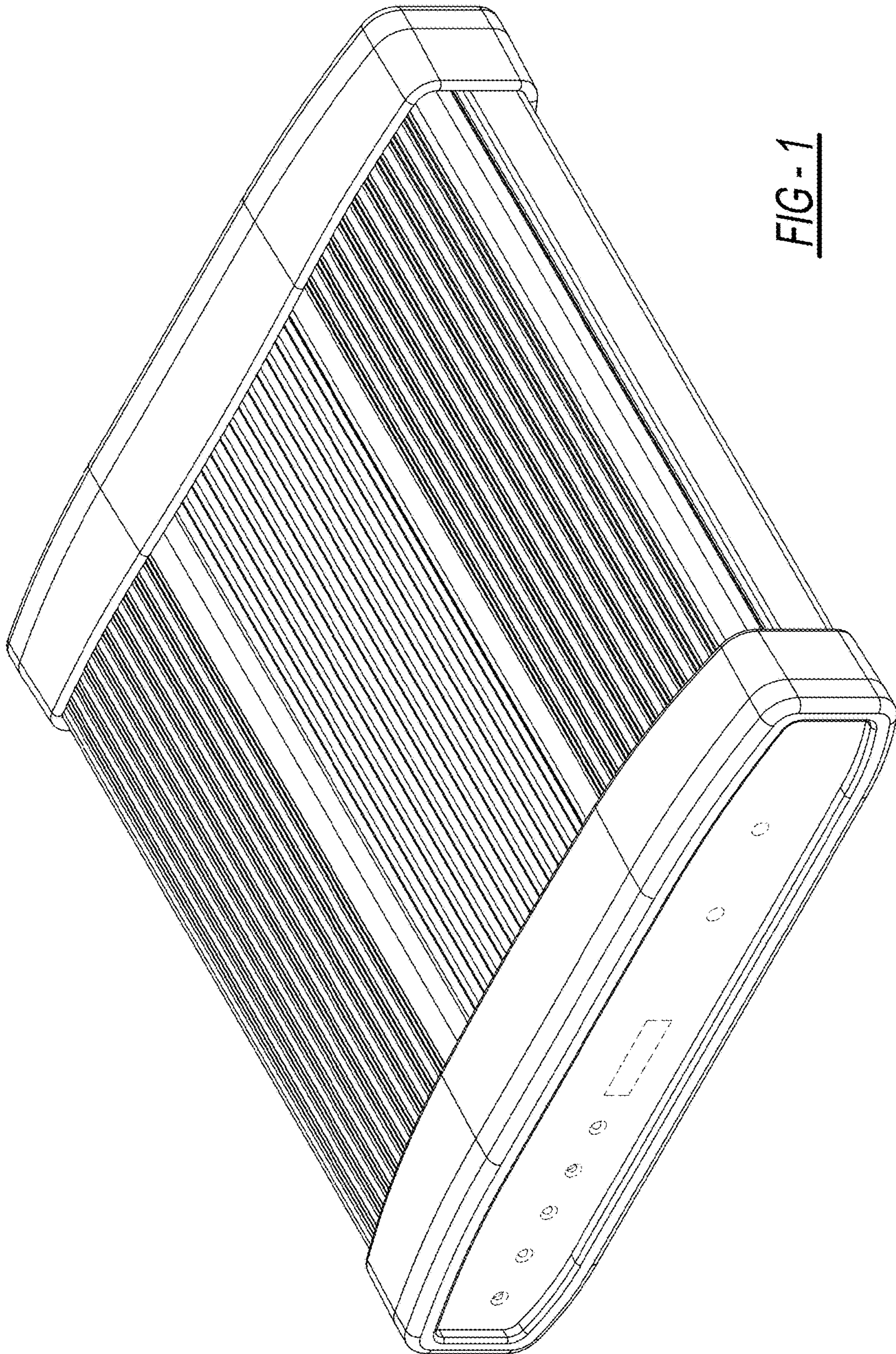


FIG - 1

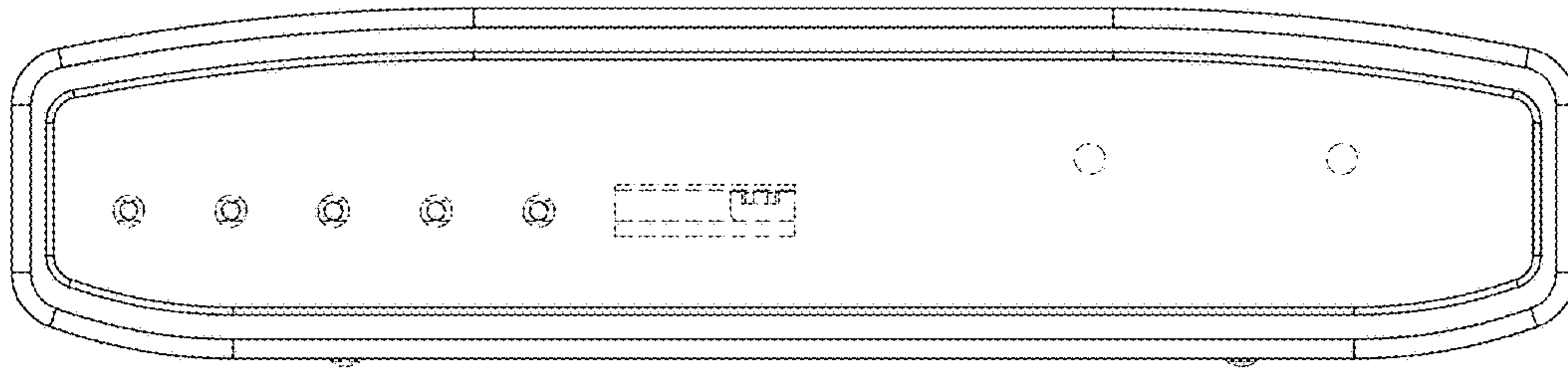


FIG - 2

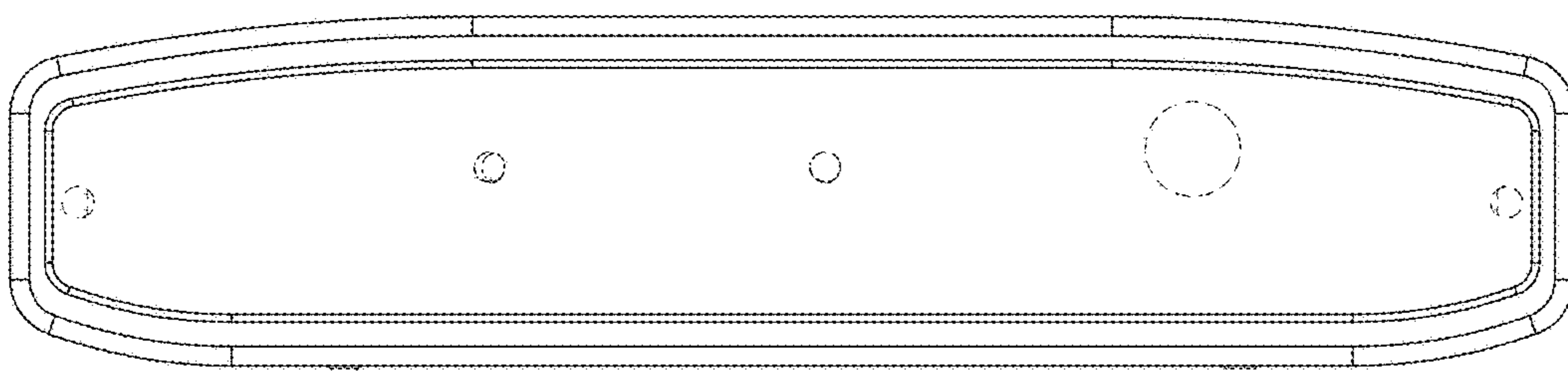
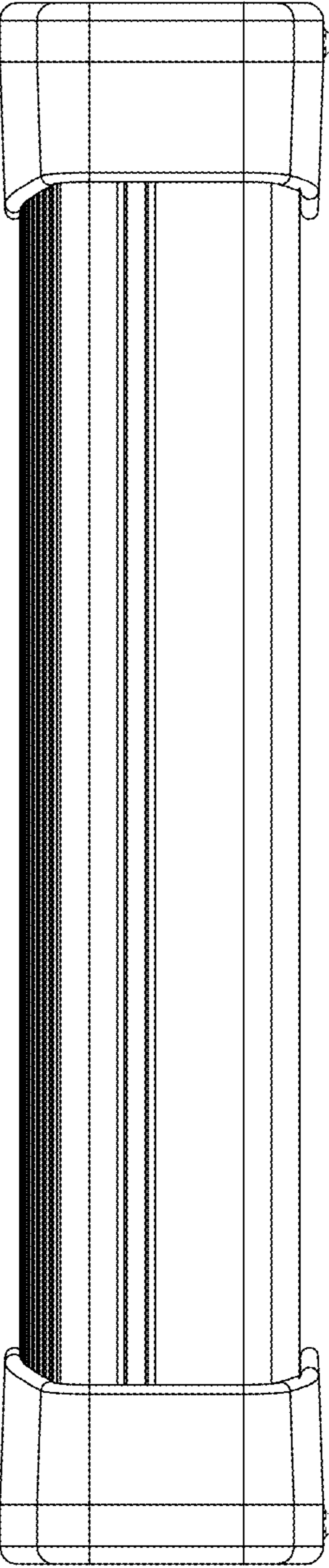
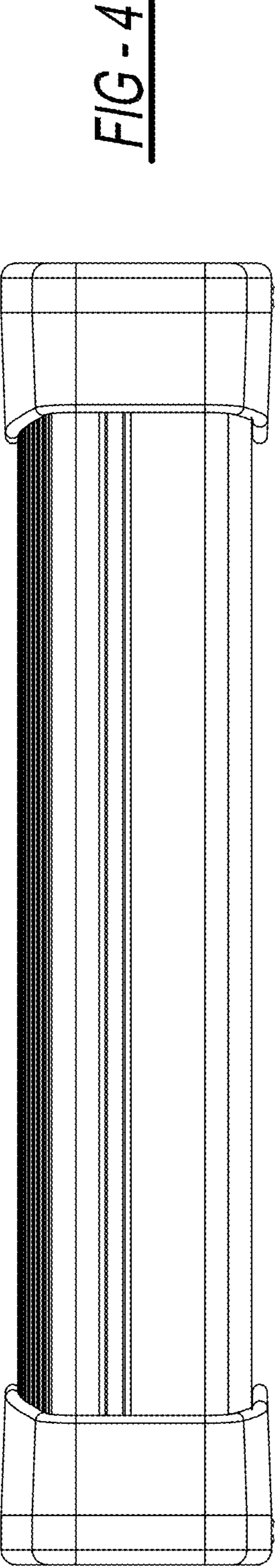


FIG - 3



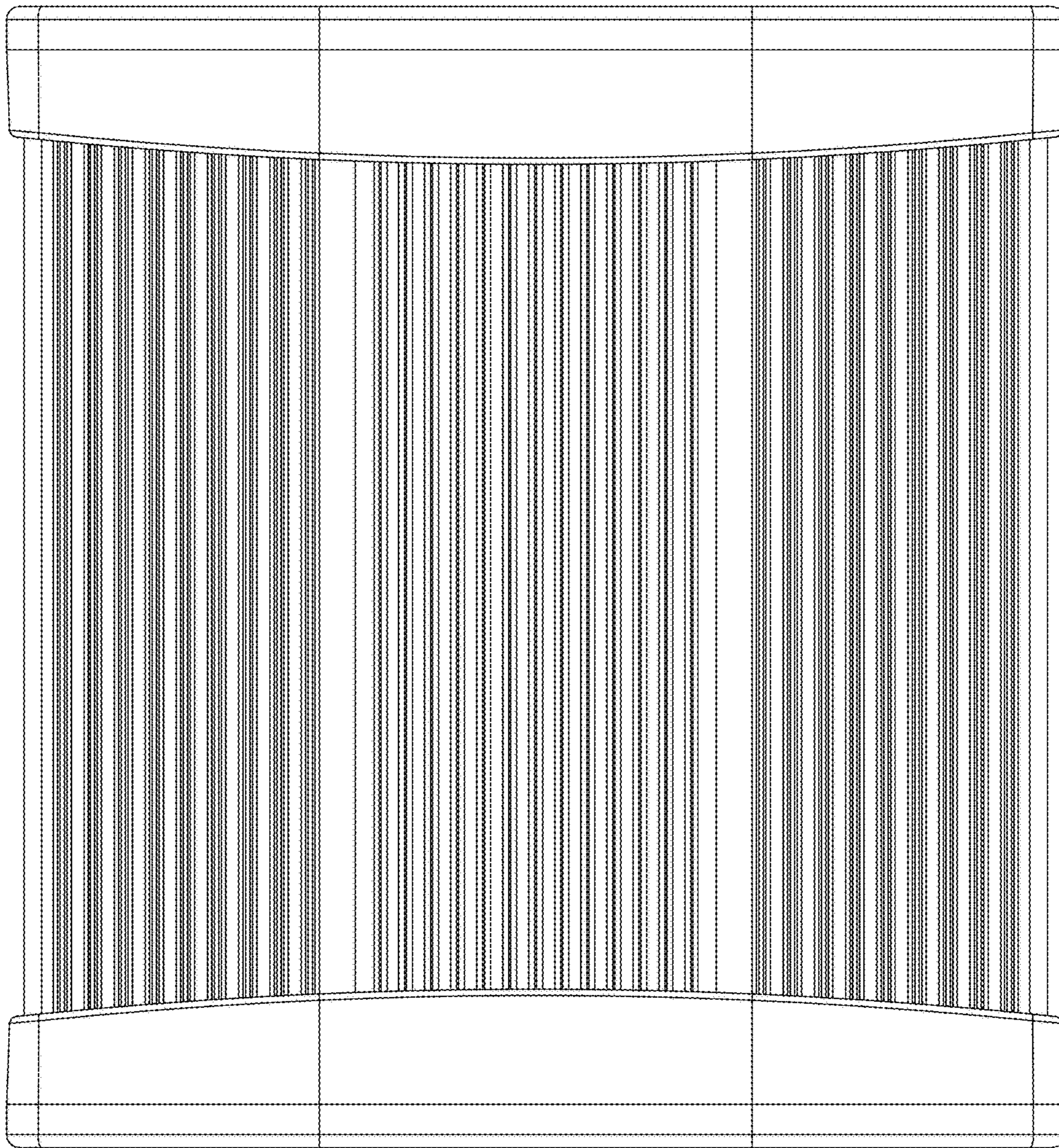


FIG - 6

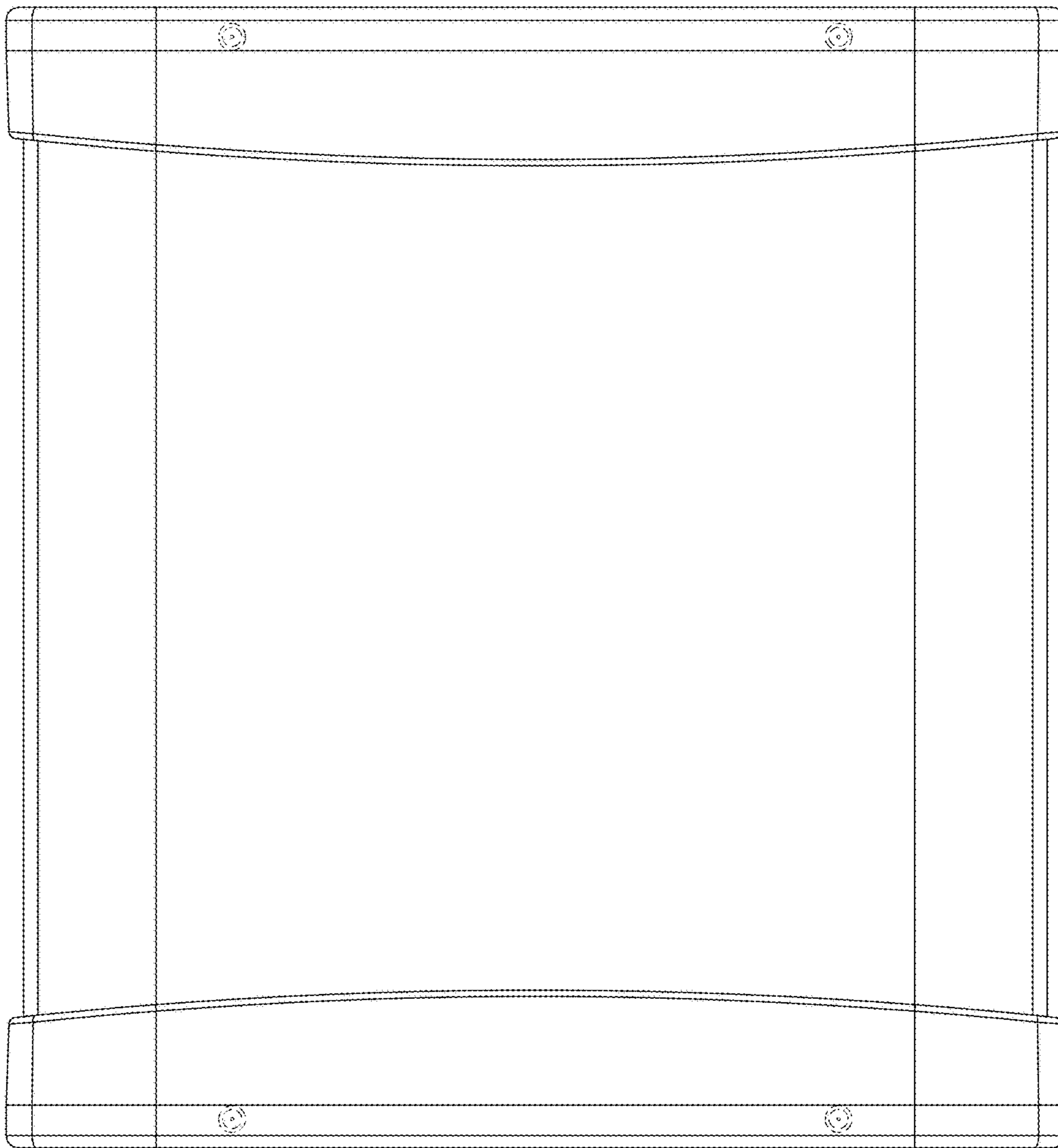


FIG - 7