



US00D789930S

(12) **United States Design Patent** (10) **Patent No.:** **US D789,930 S**  
**Webb et al.** (45) **Date of Patent:** **\*\* Jun. 20, 2017**

(54) **EXTERNAL HARD DRIVE**

(71) Applicant: **SEAGATE TECHNOLOGY LLC**,  
Cupertino, CA (US)

(72) Inventors: **William D. Webb**, San Francisco, CA  
(US); **Robert D. Swinton**, San  
Francisco, CA (US)

(73) Assignee: **Seagate Technology LLC**, Cupertino,  
CA (US)

(\*\*) Term: **15 Years**

(21) Appl. No.: **29/550,098**

(22) Filed: **Dec. 30, 2015**

(51) **LOC (10) Cl.** ..... **14-02**

(52) **U.S. Cl.**  
USPC ..... **D14/348**

(58) **Field of Classification Search**  
USPC ..... D14/240, 300, 301, 308, 313, 314,  
D14/348–358, 364–368, 441–446, 188;  
D13/123, 158, 162, 184, 199;  
312/223.1–223.3, 351.11;  
360/99.01–99.12; 369/34.01–36.01;  
361/679.31–679.33, 679.37, 679.39,  
361/679.46, 679.53, 679.4, 679.41, 727  
CPC . G06F 1/20; G06F 1/181; G06F 1/187; G06F  
1/183; G06F 1/184; G06F 1/16; G06F  
1/18; H05K 7/16; H05K 7/1424; H05K  
7/1409; H05K 7/20; H05K 7/20545;  
H05K 7/20727; H05K 7/1425; H05K  
7/1488; H05K 7/183; H05K 7/14; H05K  
5/00; H05K 7/00; H05H 7/20; G11B  
33/126; G11B 33/128; G11B 33/08;  
G11B 33/02; G11B 33/12

See application file for complete search history.

(56) **References Cited**

U.S. PATENT DOCUMENTS

D456,403	S	*	4/2002	Witte	.....	D14/355
D587,267	S	*	2/2009	Wang	.....	D14/356
D625,719	S	*	10/2010	Carroll	.....	D14/240
D632,650	S	*	2/2011	Rashid	.....	D13/110
D654,856	S	*	2/2012	Inskeep	.....	D13/107
D674,367	S	*	1/2013	Dernier	.....	D14/125
D686,614	S	*	7/2013	Tan	.....	D14/240
2004/0150947	A1	*	8/2004	Tang	.....	G11B 15/6885 361/679.34

\* cited by examiner

*Primary Examiner* — Freda S Nunn

(74) *Attorney, Agent, or Firm* — Schwegman, Lundberg  
& Woessner, P.A.

(57) **CLAIM**

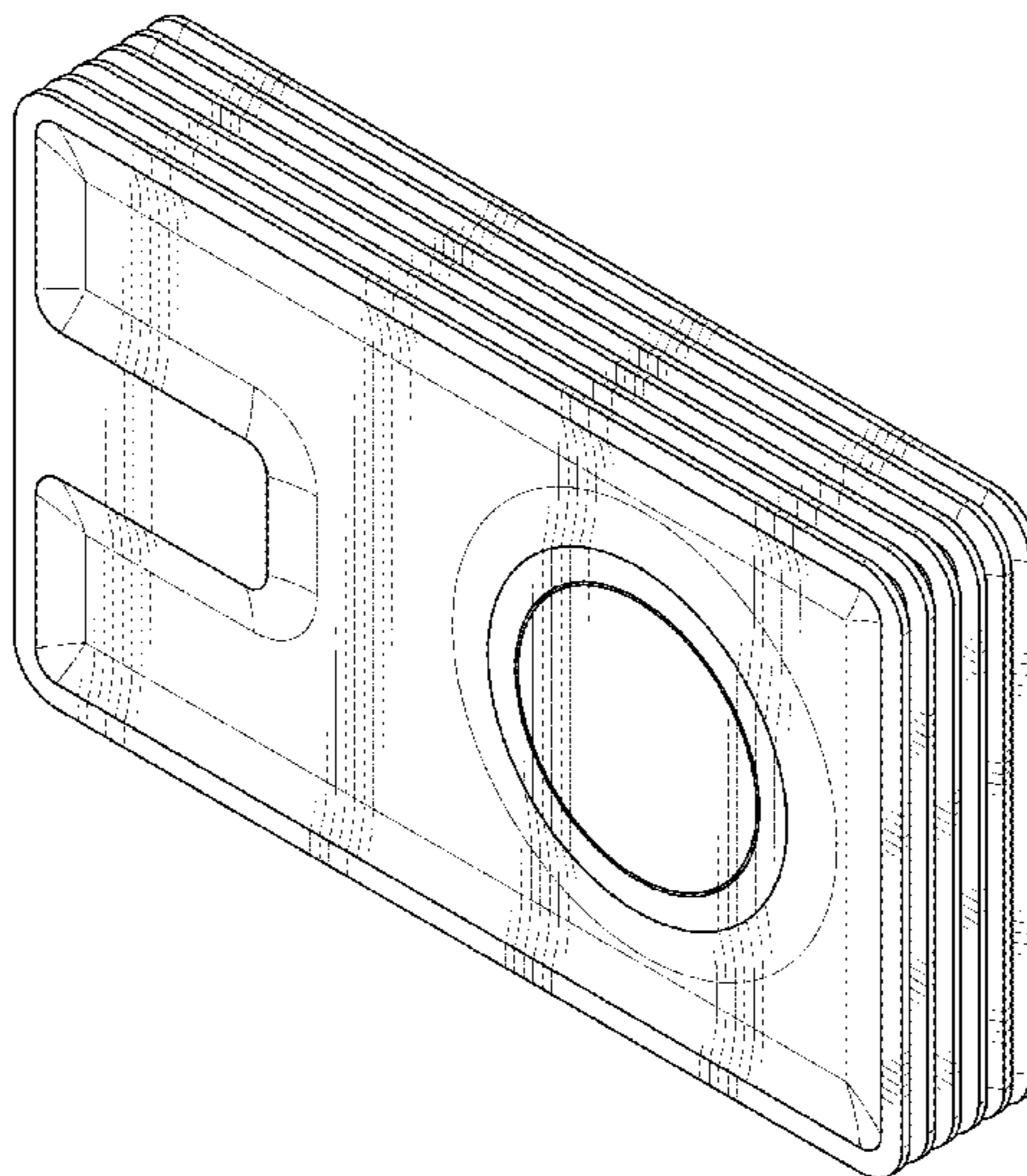
The ornamental design for an external hard drive, as shown  
and described.

**DESCRIPTION**

FIG. 1 is a front perspective view of an external hard drive;  
FIG. 2 is a back perspective view of the external hard drive  
shown in FIG. 1;  
FIG. 3 is a side view of the external hard drive shown in FIG.  
1;  
FIG. 4 is a side view of the external hard drive shown in FIG.  
1;  
FIG. 5 is a front view of the external hard drive shown in  
FIG. 1;  
FIG. 6 is an back view of the external hard drive shown in  
FIG. 1;  
FIG. 7 is a top view of the external hard drive shown in FIG.  
1; and,  
FIG. 8 is a bottom view of the external hard drive shown in  
FIG. 1.

The broken lines shown in the figures are for illustrative  
purposes only and form no part of the claimed design.

**1 Claim, 6 Drawing Sheets**



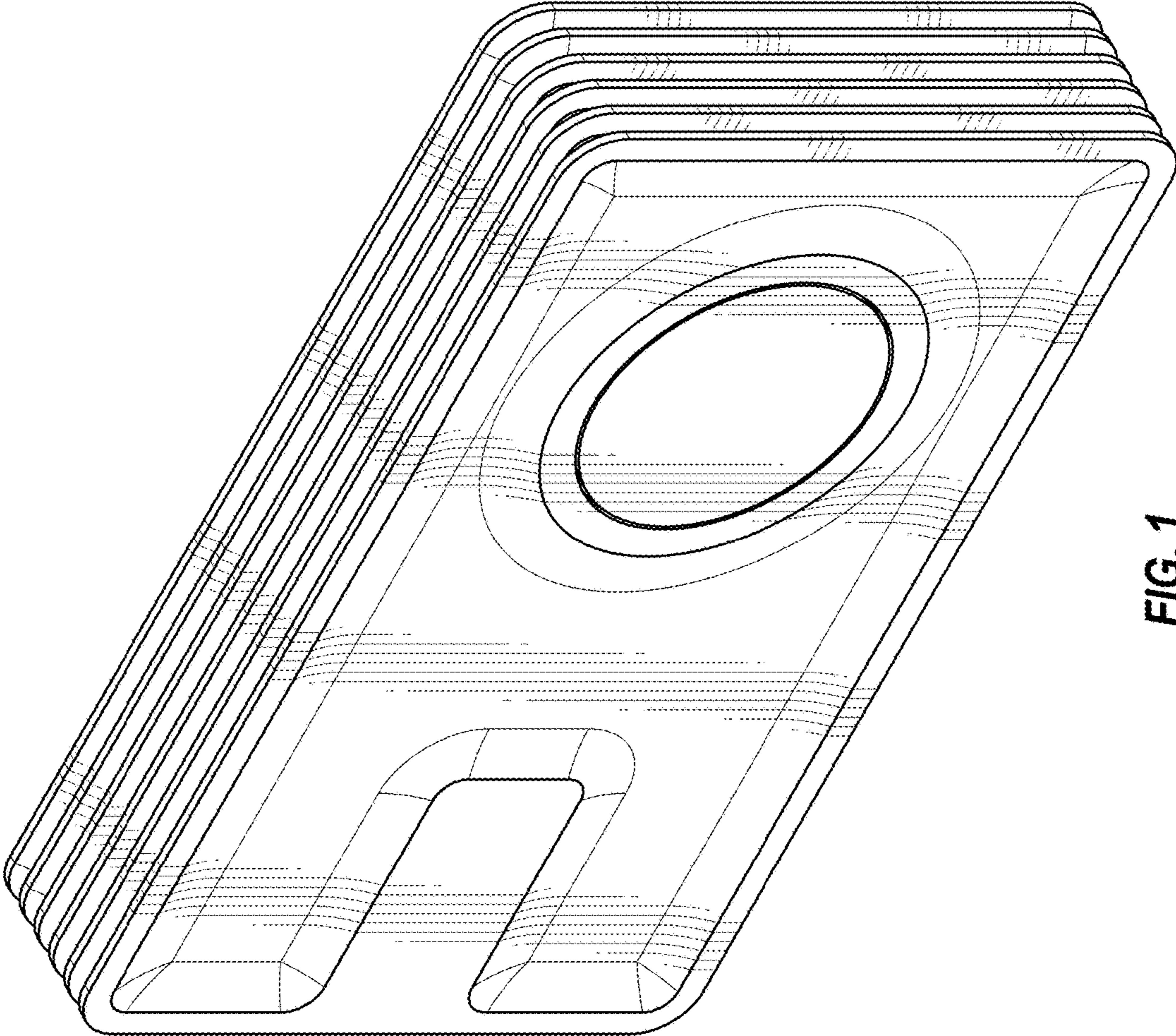


FIG. 1

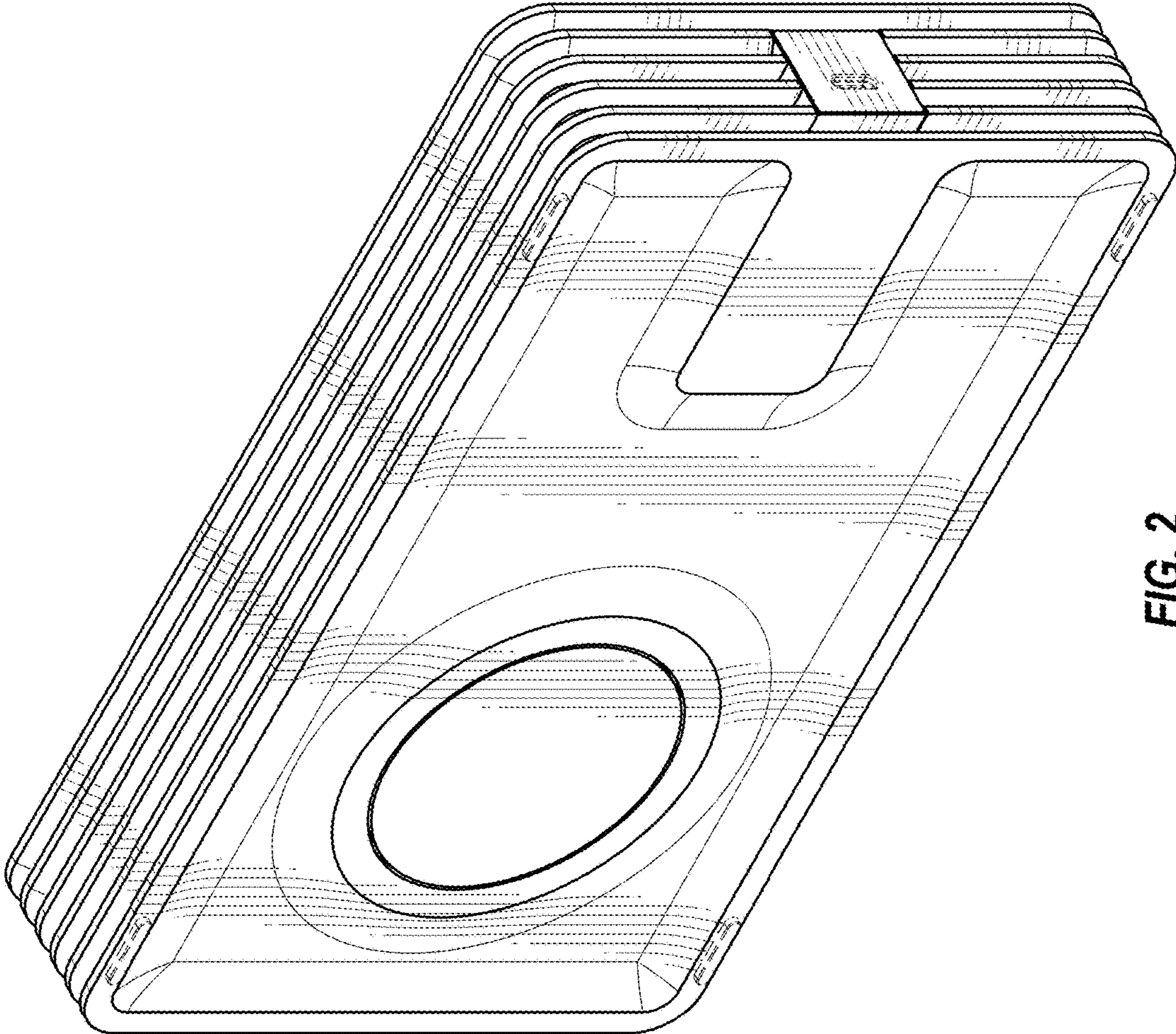


FIG. 2

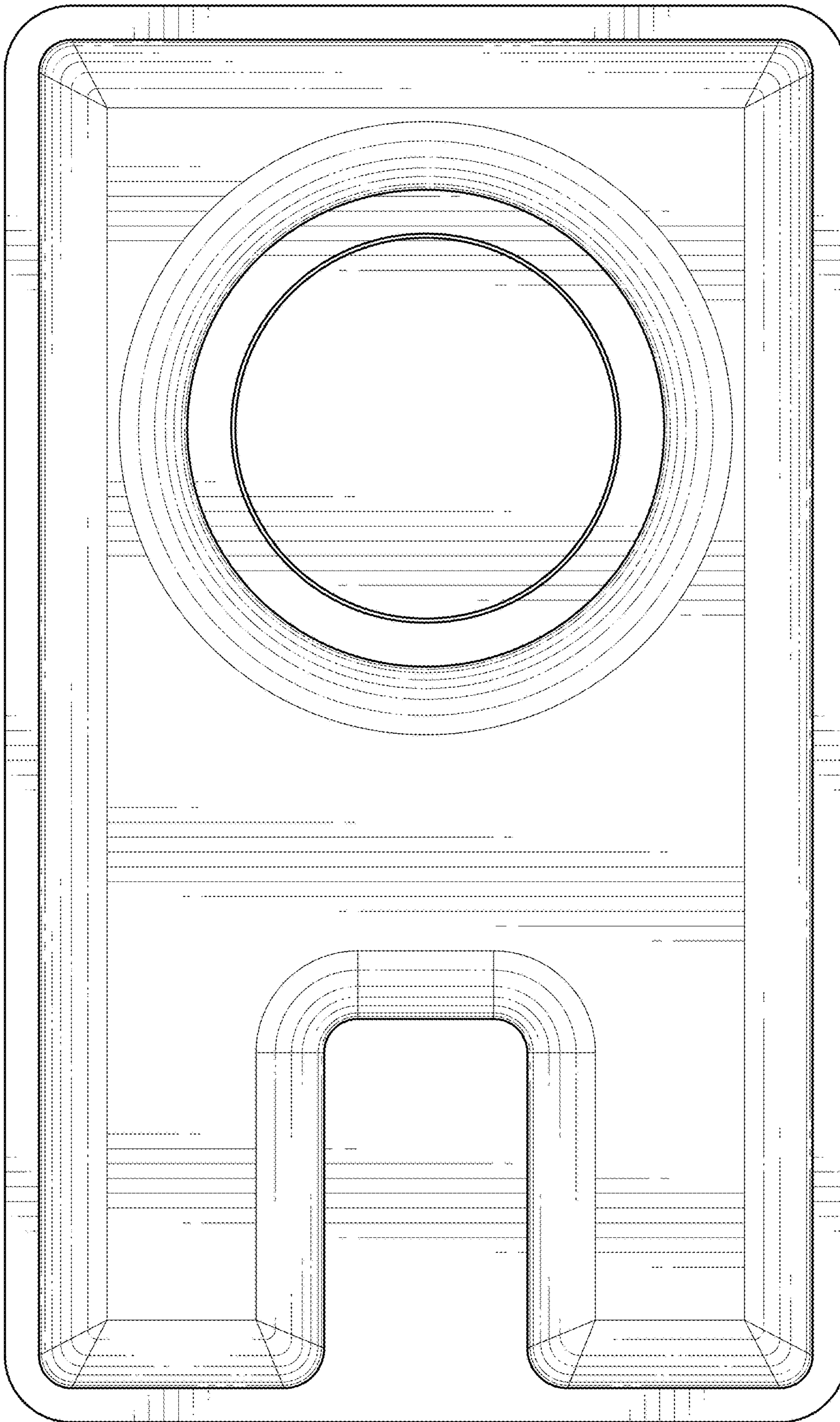


FIG. 3

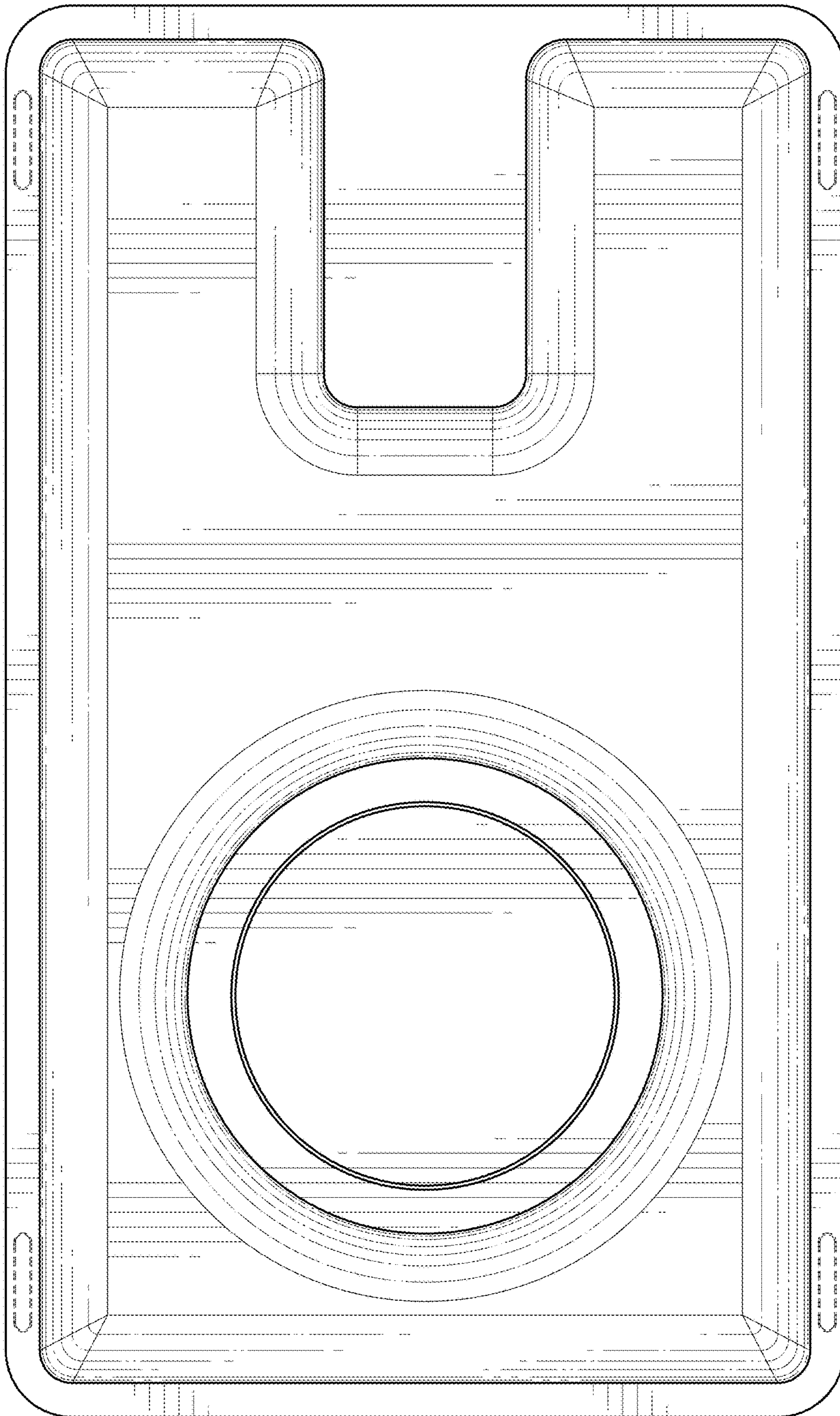


FIG. 4

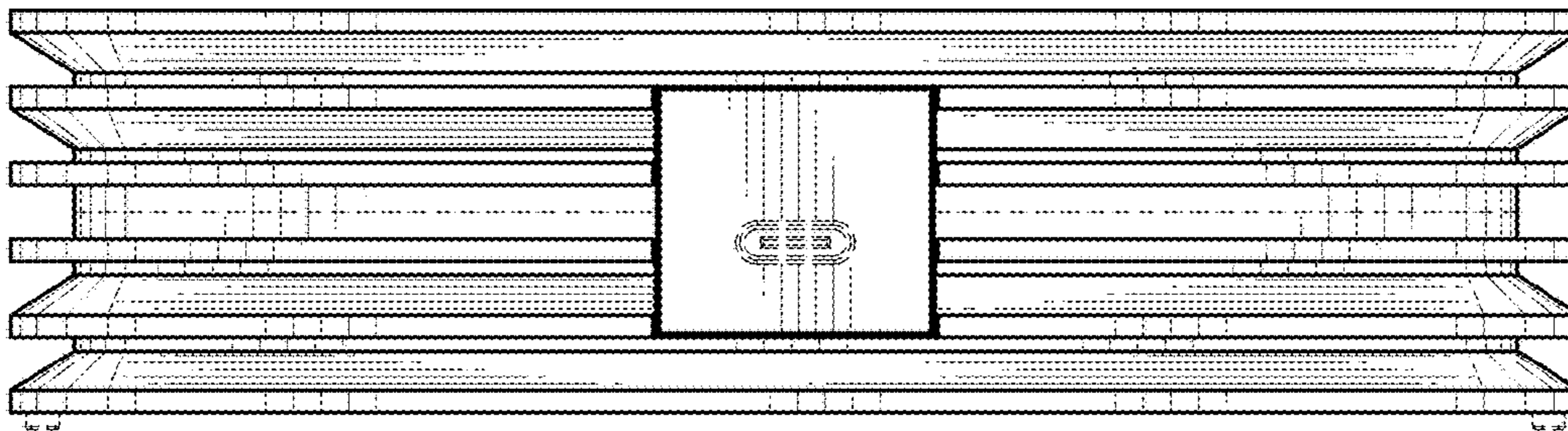


FIG. 6

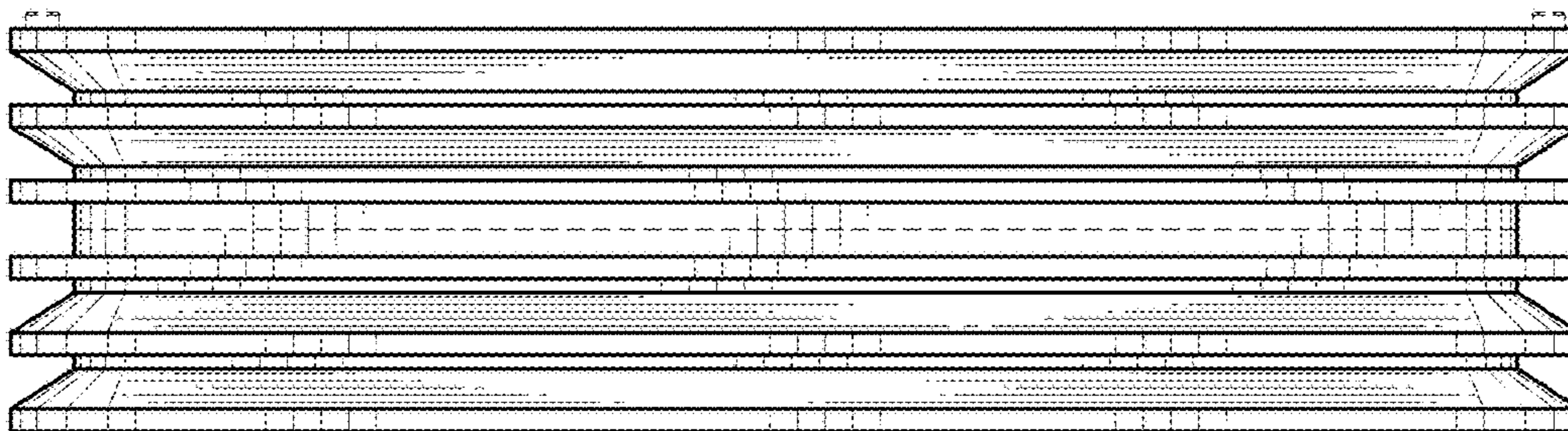


FIG. 5

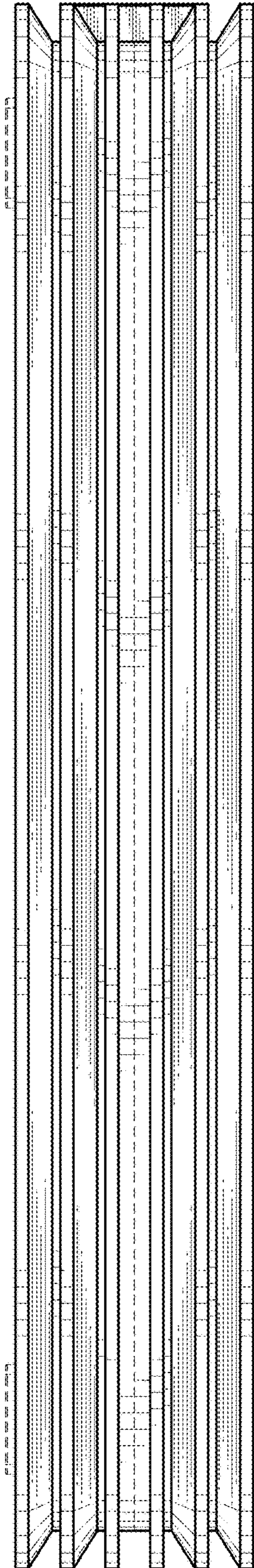


FIG. 7

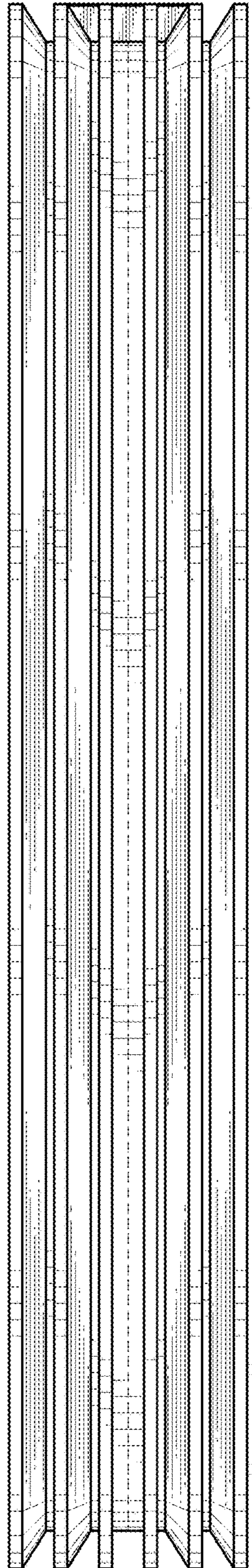


FIG. 8