



US00D789925S

(12) **United States Design Patent**
Browning et al.

(10) **Patent No.:** **US D789,925 S**
(45) **Date of Patent:** **** Jun. 20, 2017**

(54) **ELECTRONIC DEVICE WITH FOLDABLE DISPLAY PANELS**

DESCRIPTION

(71) Applicant: **Intel Corporation**, Santa Clara, CA (US)

(72) Inventors: **David W. Browning**, Portland, OR (US); **Aleksander Magi**, Aloha, OR (US); **Joshua L. Zuniga**, Damascus, OR (US); **Rajiva K. Sarraju**, Portland, OR (US); **Guy M. Therien**, Beaverton, OR (US); **Saara Kamppari**, Portland, OR (US); **Audrey C. Younkin**, Beaverton, OR (US)

(73) Assignee: **Intel Corporation**, Santa Clara, CA (US)

(**) Term: **15 Years**

(21) Appl. No.: **29/531,588**

(22) Filed: **Jun. 26, 2015**

(51) **LOC (10) Cl.** **14-02**

(52) **U.S. Cl.**
USPC **D14/341**

(58) **Field of Classification Search**
USPC D14/341-347, 137, 138 R, 138 AA, D14/138 AB, 138 C, 138 G, 203.1, 203.3,
(Continued)

(56) **References Cited**

U.S. PATENT DOCUMENTS

D271,732 S * 12/1983 Ytter D6/332
D384,656 S * 10/1997 Caramanoff D14/440
(Continued)

Primary Examiner — Barbara Fox

Assistant Examiner — Dana K Weiland

(74) *Attorney, Agent, or Firm* — Patent Capital Group

(57) **CLAIM**

The ornamental design for an electronic device with foldable display panels, as shown and described.

FIG. 1 is a perspective view of an electronic device with foldable display panels in a folded configuration showing the claimed design in a first embodiment;

FIG. 2 is a front view thereof;

FIG. 3 is a back view thereof;

FIG. 4 is a top view thereof in a state of use where a graphic is shown;

FIG. 5 is a bottom view thereof;

FIG. 6 is a right side view thereof;

FIG. 7 is a left side view thereof;

FIG. 8 is another perspective view of an electronic device with foldable display panels in an alternate configuration;

FIG. 9 is a front view thereof in a state of use where a graphic is shown;

FIG. 10 is a back view thereof;

FIG. 11 is a top view thereof in a state of use where a graphic is shown;

FIG. 12 is bottom view thereof;

FIG. 13 is a right side view thereof;

FIG. 14 is a left side view thereof;

FIG. 15 is another perspective view of an electronic device with foldable display panels in an alternate configuration in a state of use where a graphic is shown;

FIG. 16 is another perspective view of an electronic device with foldable display panels in an alternate partially folded configuration;

FIG. 17 is a front view thereof;

FIG. 18 is another perspective view of an electronic device with foldable display panels in an alternate partially folded configuration in a state of use where a graphic is shown;

FIG. 19 is a front view thereof;

FIG. 20 is another perspective view of an electronic device with foldable display panels in an alternate configuration in a state of use where a graphic is shown;

FIG. 21 is a right side view thereof;

FIG. 22 is another perspective view of an electronic device with foldable display panels in an alternate open configuration in a state of use where a graphic is shown;

FIG. 23 is a bottom view thereof;

FIG. 24 is a front view thereof;

(Continued)

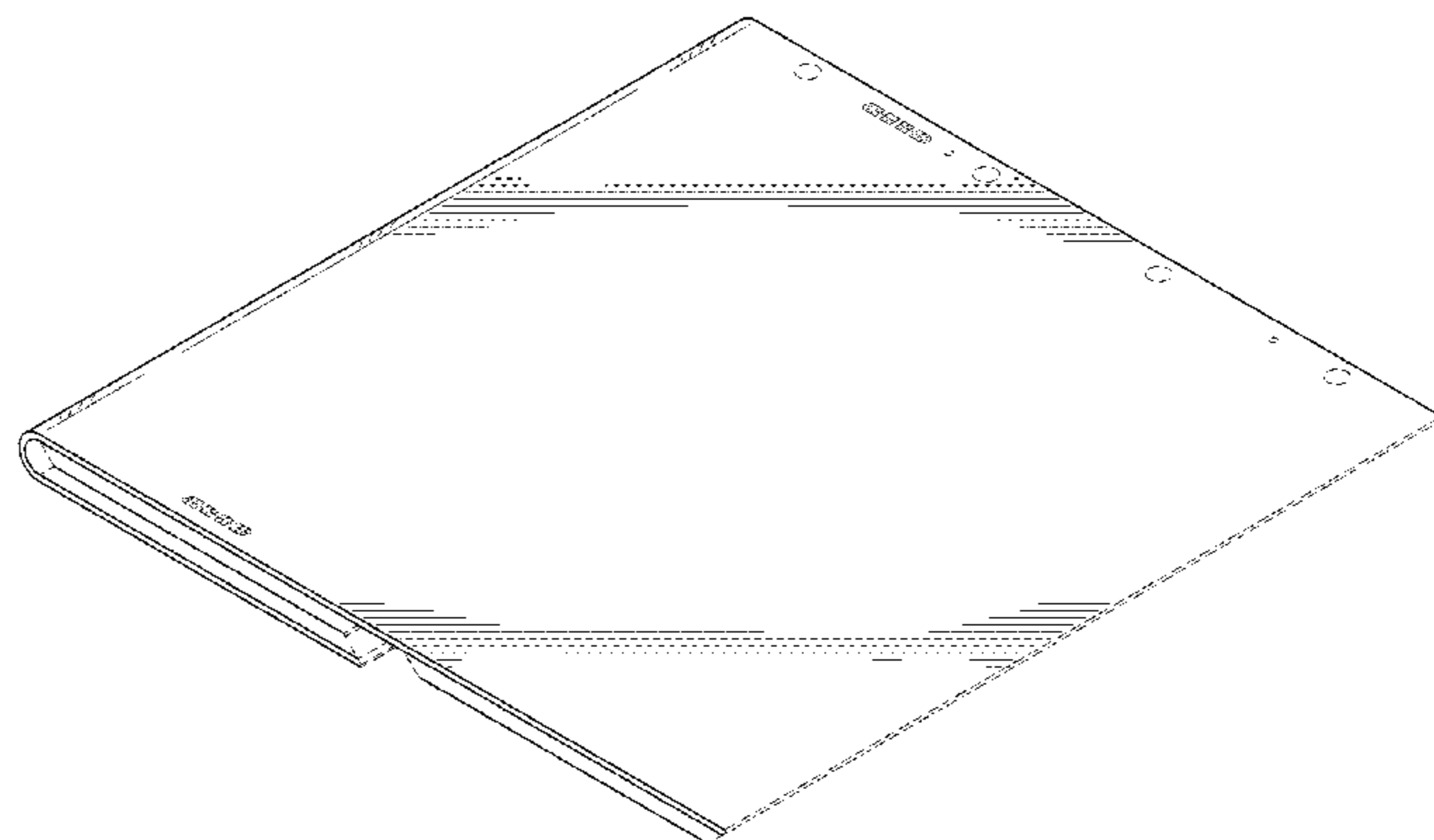
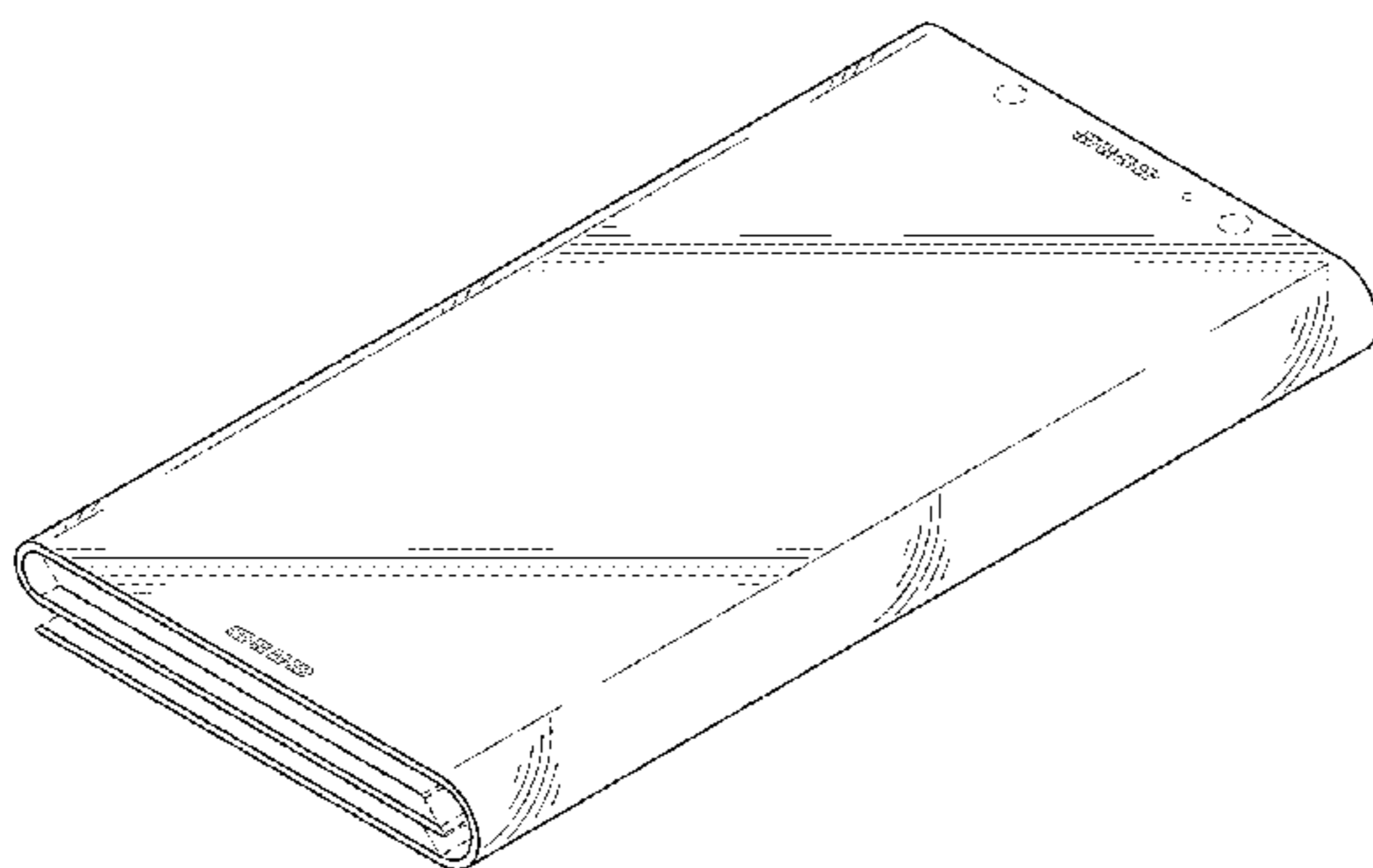


FIG. 25 is a perspective view of an electronic device with foldable display panels in a folded configuration showing the claimed design in a second embodiment in a state of use where a graphic is shown;

FIG. 26 is another perspective view thereof with a stylus partially removed;

FIG. 27 is another perspective view thereof with a stylus; and,

FIG. 28 is a front view thereof.

The broken lines of the FIGURES form no part of the claimed design. The broken lines intersected by oblique line shading illustrate displayable graphics that form no part of the claimed design. The long broken lines adjacent to curved edges represent contour and not surface ornamentation. The other broken lines and the unshaded regions bounded by such broken lines of the preceding FIGURES illustrate boundaries and, therefore, form no part of the claimed design. The vertical line shading in FIGS. 8, 15, and 23 indicate that the portions including the vertical line shading are part of the claimed design. Any other non-oblique line shading is meant to show contour and not surface ornamentation.

1 Claim, 24 Drawing Sheets

(58) Field of Classification Search

USPC D14/203.4, 203.7, 129, 130, 147, 218, D14/247, 248, 332, 388, 389, 315-318, D14/420, 426, 429, 489, 492, 496; D10/50, 65, 104.1; D18/6; D21/329, D21/330; D6/308, 310

CPC G06F 1/1613; G06F 1/1647; G06F 1/1641; G06F 3/04883; G06F 3/0486; G06F 3/04847; G06F 3/04845; G06F 3/04817; G06F 3/0484; H04M 1/0279; H04M 1/0281; H04M 1/0283; A63H 33/3016

See application file for complete search history.

(56) References Cited

U.S. PATENT DOCUMENTS

5,722,477 A * 3/1998 Richter A47G 5/00
160/135
D406,468 S * 3/1999 Byers D6/301
D415,619 S * 10/1999 Gandy D6/300
D477,634 S * 7/2003 Malone D19/26
D490,808 S * 6/2004 Khachikian D14/345
D544,922 S * 6/2007 Shaffer D20/10
D576,601 S * 9/2008 Yasuda D14/138 AB
D594,028 S * 6/2009 Fuchsberg D14/496
D599,761 S * 9/2009 Birsel D14/138 AB
D630,607 S * 1/2011 Li D14/138 AB
D638,833 S * 5/2011 Chuang D14/315
D650,380 S * 12/2011 Ballout D14/331
8,738,101 B1 * 5/2014 Myr H04M 1/0214
379/330
D716,304 S * 10/2014 Orthey D14/385
D719,540 S * 12/2014 Lee D14/138 AB
D719,542 S * 12/2014 Lee D14/138 AB
8,947,320 B2 * 2/2015 King G06F 1/1616
345/1.1
9,013,368 B1 * 4/2015 Kim G06F 3/1446
345/1.1

D741,856 S * 10/2015 Yamazaki D14/341
D745,006 S * 12/2015 Hirakata D14/341
D745,516 S * 12/2015 Yamazaki D14/341
D746,285 S * 12/2015 Okabe D14/345
D749,575 S * 2/2016 Park D14/203.4
D750,064 S * 2/2016 Yamazaki D14/341
D754,122 S * 4/2016 Oakley D14/336
9,377,817 B2 * 6/2016 Eguchi G06F 1/1652
9,424,790 B2 * 8/2016 Cho G06F 1/3265
9,429,997 B2 * 8/2016 Myers G06F 1/1652
9,430,184 B2 * 8/2016 Cho G06F 1/1652
D768,231 S * 10/2016 Kirsh D17/2
D768,624 S * 10/2016 Bae D14/331
D770,446 S * 11/2016 Cho D14/341
D770,447 S * 11/2016 Endo D14/341
2004/0051679 A1 * 3/2004 Ponx G06F 1/1616
345/1.1
2005/0099361 A1 * 5/2005 Majer G06F 1/1616
345/1.3
2007/0072657 A1 * 3/2007 Hyun H04M 1/0247
455/575.3
2008/0022841 A1 * 1/2008 Braun G09B 15/026
84/483.2
2009/0000169 A1 * 1/2009 Houssain G09F 15/0068
40/605
2010/0041439 A1 * 2/2010 Bullister G06F 1/1615
455/566
2010/0064244 A1 * 3/2010 Kilpatrick, II G06F 1/1616
715/773
2010/0067181 A1 * 3/2010 Bair G06F 1/1616
361/679.3
2010/0117975 A1 * 5/2010 Cho G06F 1/1626
345/173
2011/0090155 A1 * 4/2011 Caskey G06F 1/1641
345/173
2011/0188189 A1 * 8/2011 Park G05B 11/01
361/679.05
2013/0010405 A1 * 1/2013 Rothkopf H04M 1/0216
361/679.01
2013/0077228 A1 * 3/2013 Batio G06F 1/1641
361/679.29
2013/0250492 A1 * 9/2013 Wong G06F 1/1641
361/679.01
2013/0265221 A1 * 10/2013 Lee G06F 3/01
345/156
2013/0321340 A1 * 12/2013 Seo G06F 1/1641
345/174
2014/0152576 A1 * 6/2014 Kim G06F 3/03545
345/169
2015/0016126 A1 * 1/2015 Hirakata F21V 15/012
362/418
2015/0062927 A1 * 3/2015 Hirakata G09F 9/301
362/362
2015/0116917 A1 * 4/2015 Aono G06F 1/1681
361/679.04
2015/0178035 A1 * 6/2015 Loo G06F 3/1431
345/600
2015/0193009 A1 * 7/2015 Sharma G06F 1/1616
345/169
2015/0338888 A1 * 11/2015 Kim G06F 1/1677
345/156
2015/0378397 A1 * 12/2015 Park G06F 1/1652
361/679.27
2015/0378557 A1 * 12/2015 Jeong G06F 3/0488
715/835
2016/0034047 A1 * 2/2016 Lee G09G 5/373
345/156
2016/0062408 A1 * 3/2016 Lee G06F 1/1641
345/173

* cited by examiner

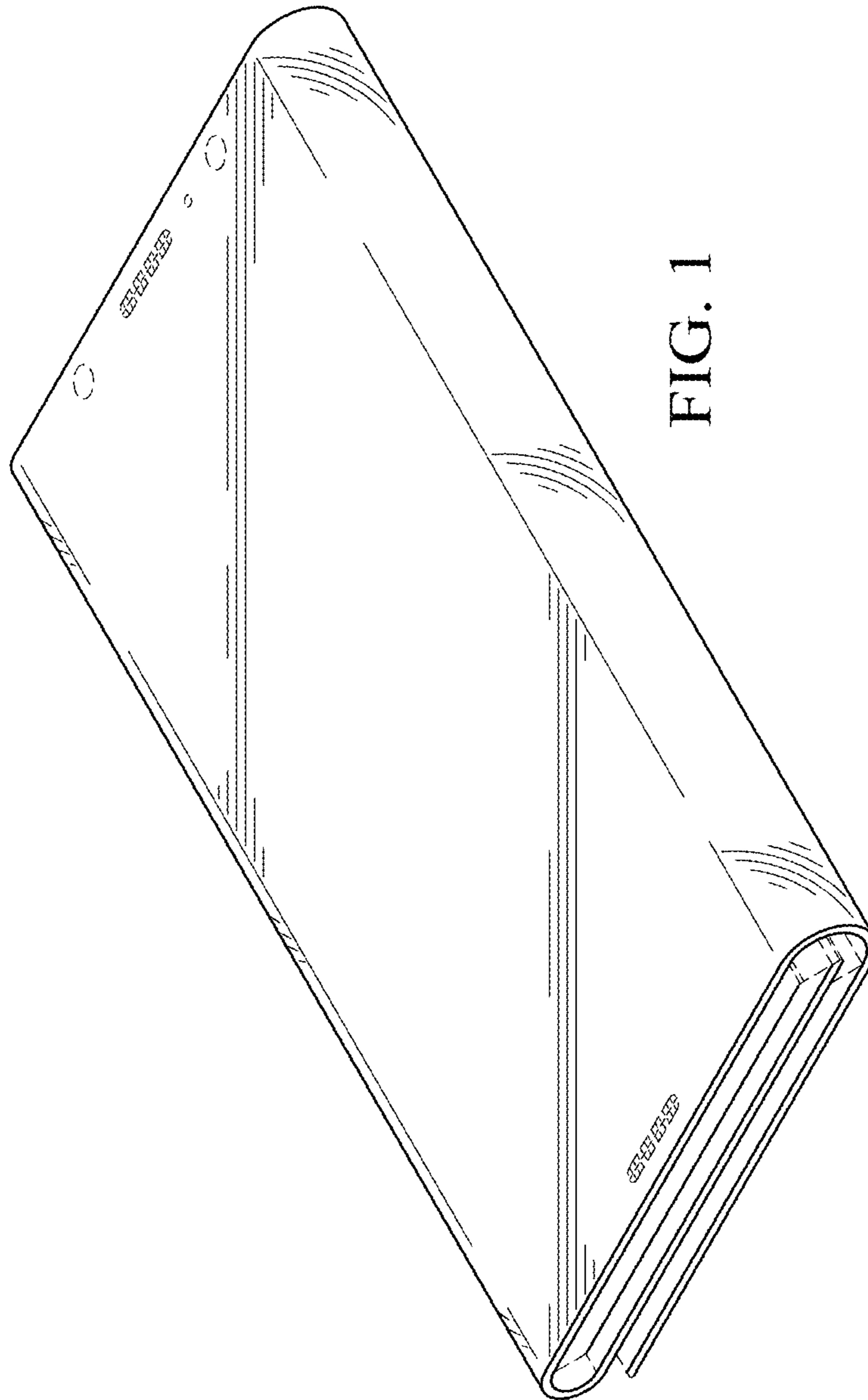


FIG. 1

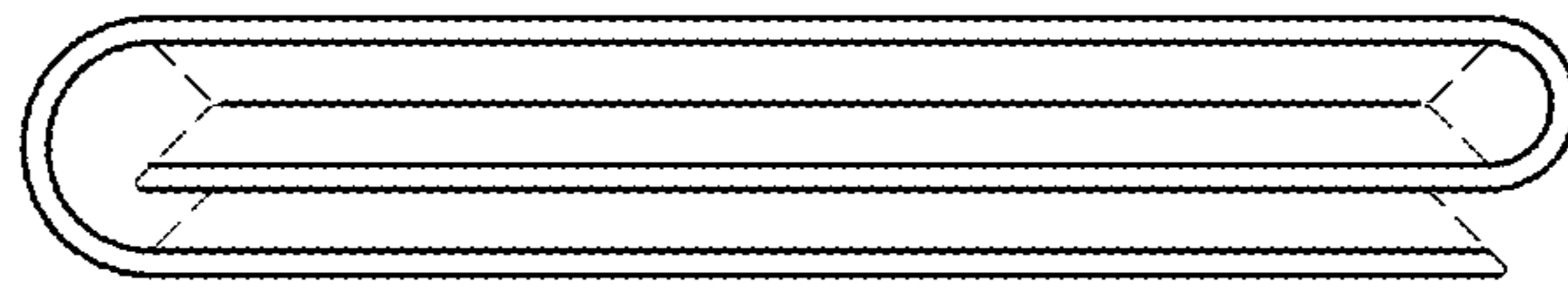


FIG. 2



FIG. 3

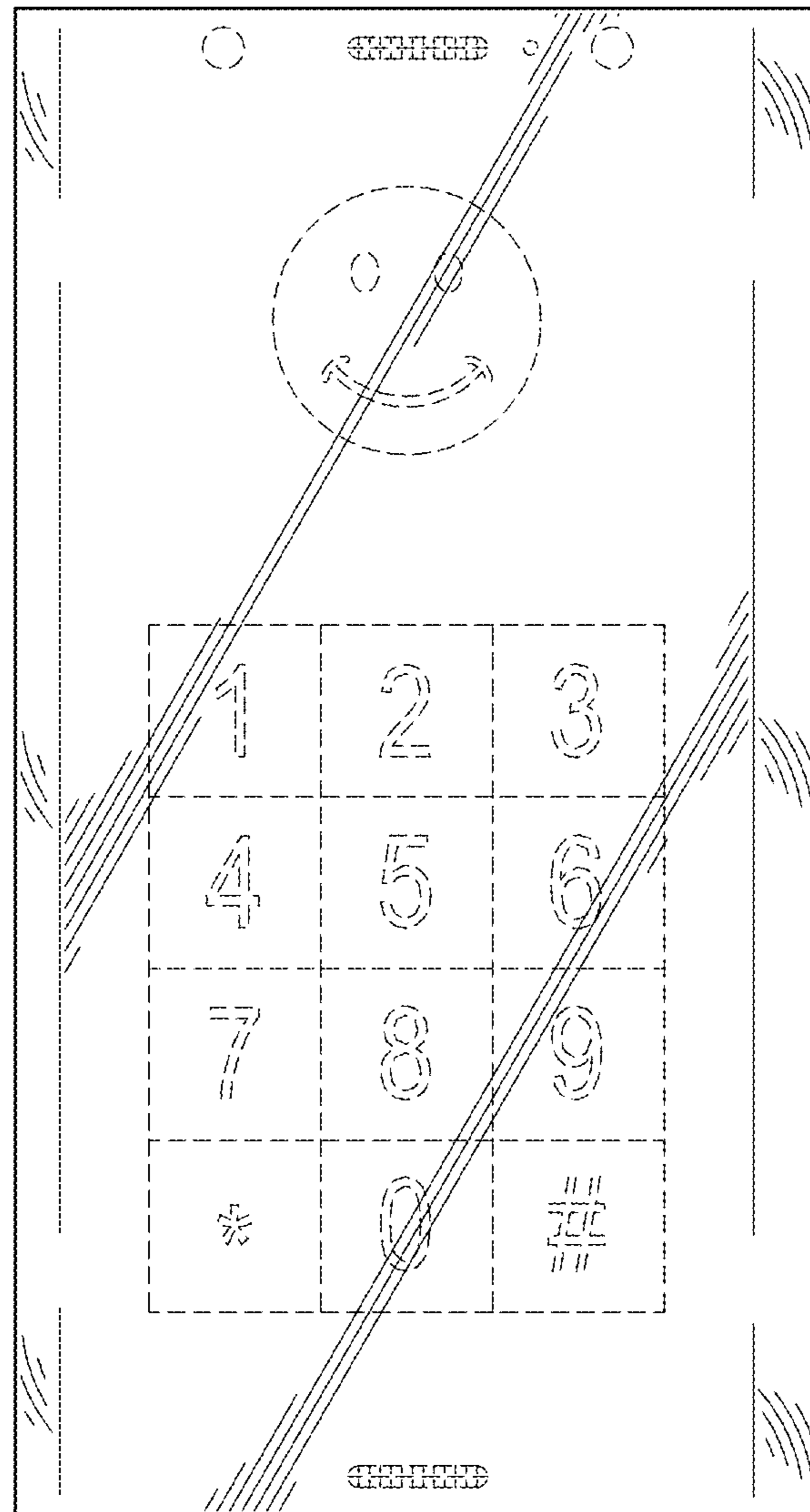


FIG. 4

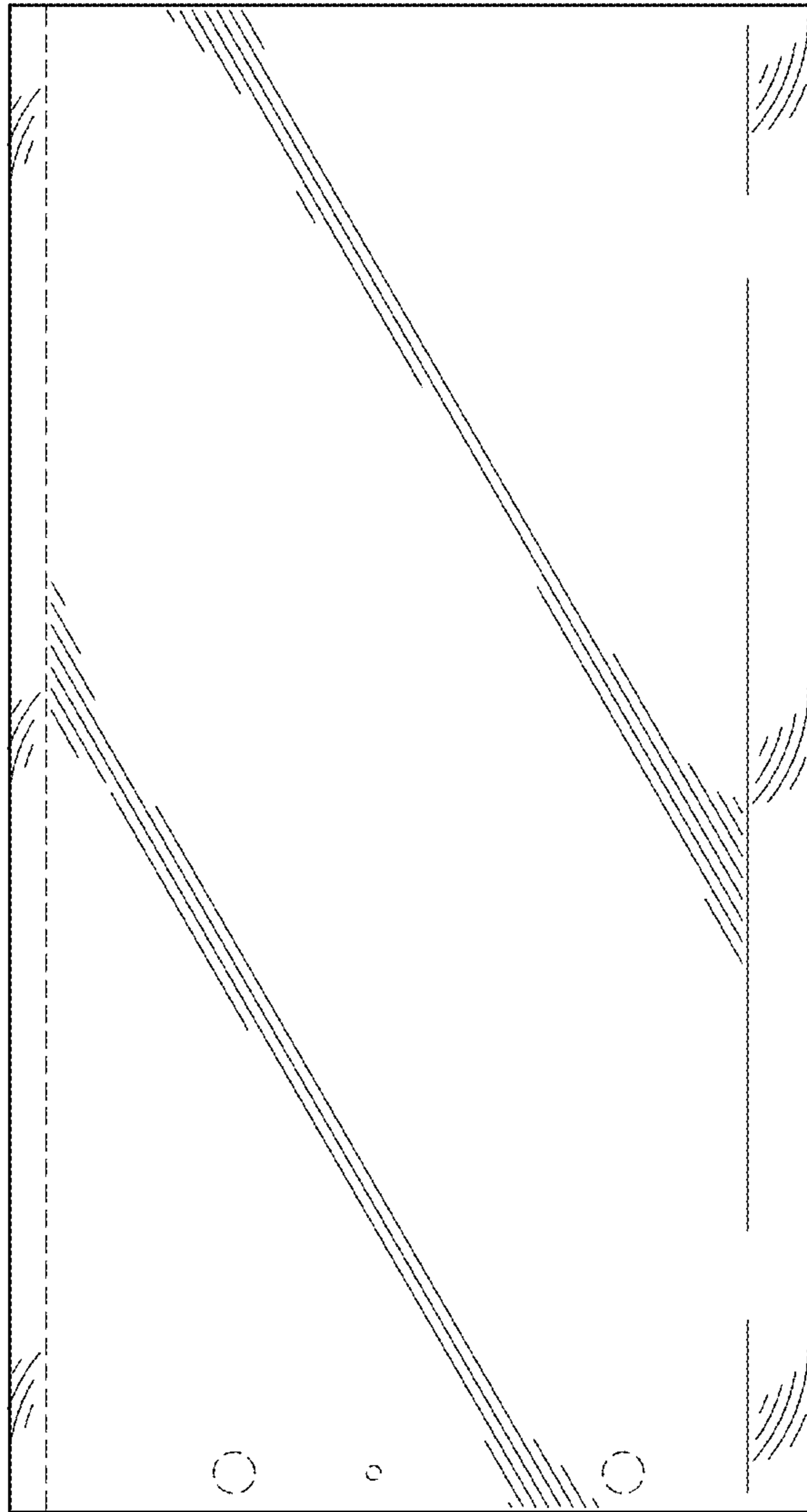


FIG. 5



FIG. 6

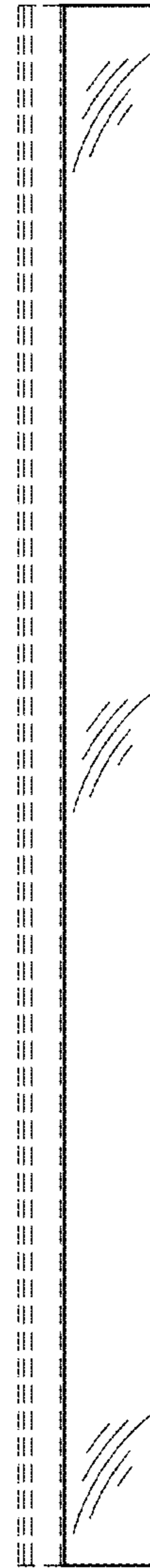


FIG. 7

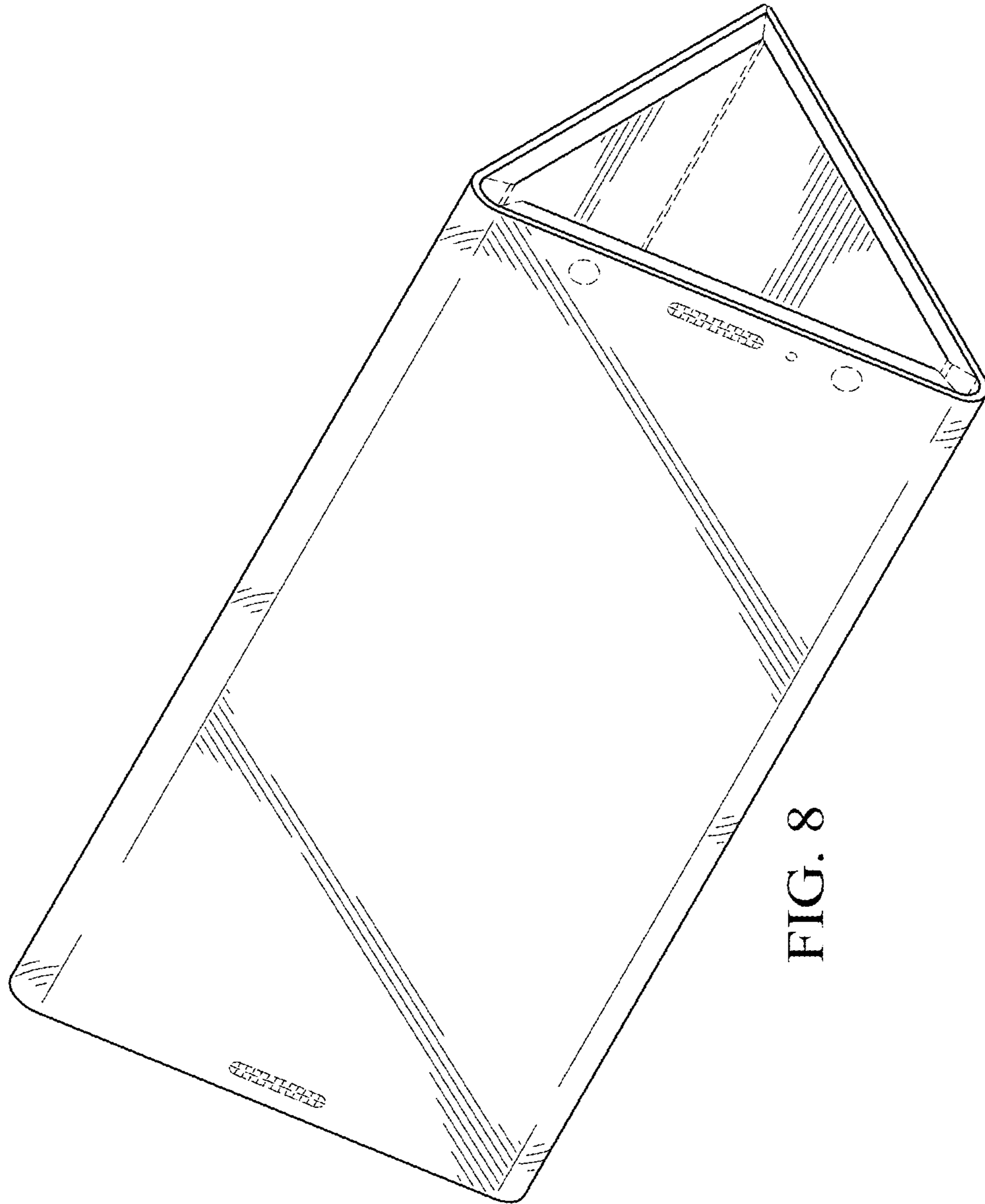


FIG. 8

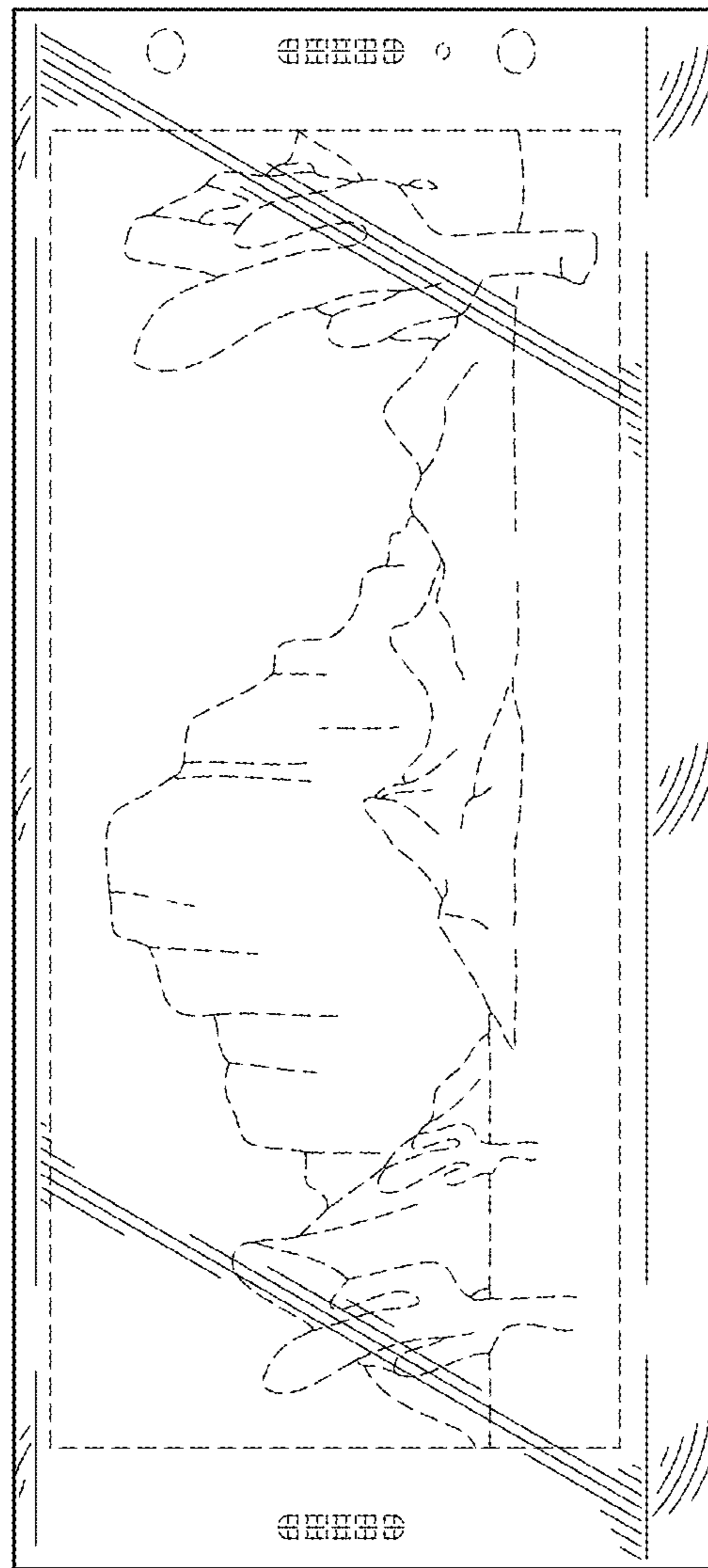


FIG. 9

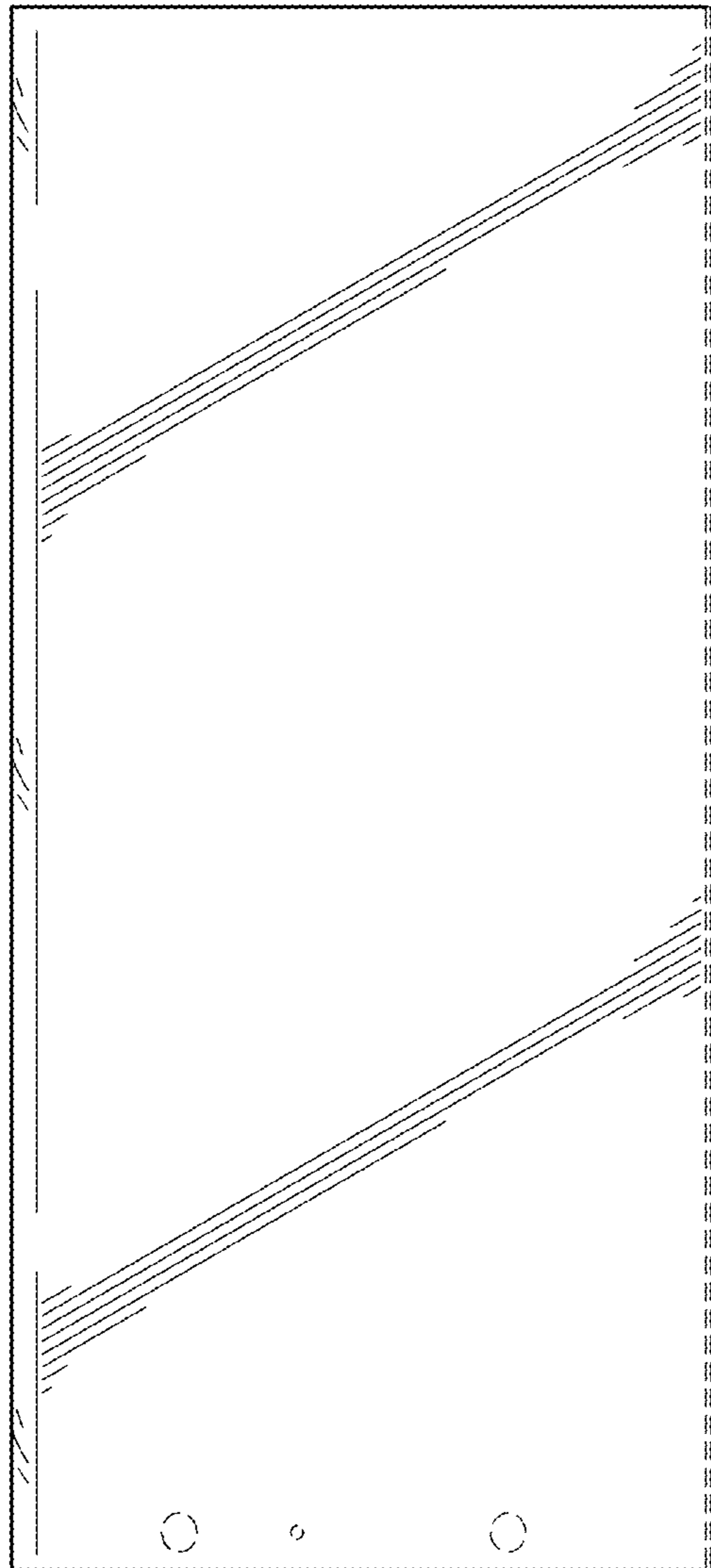


FIG. 10

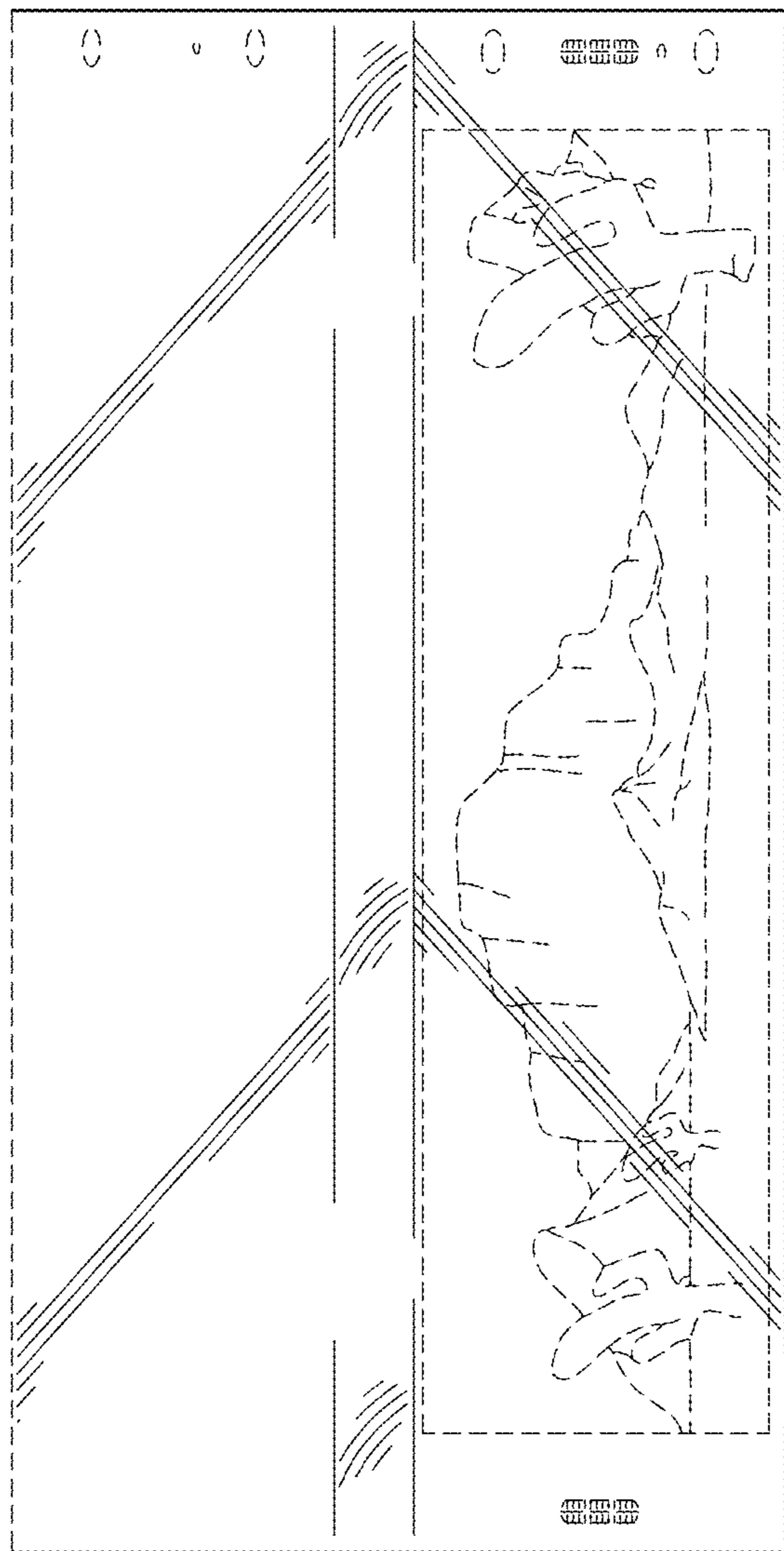


FIG. 11

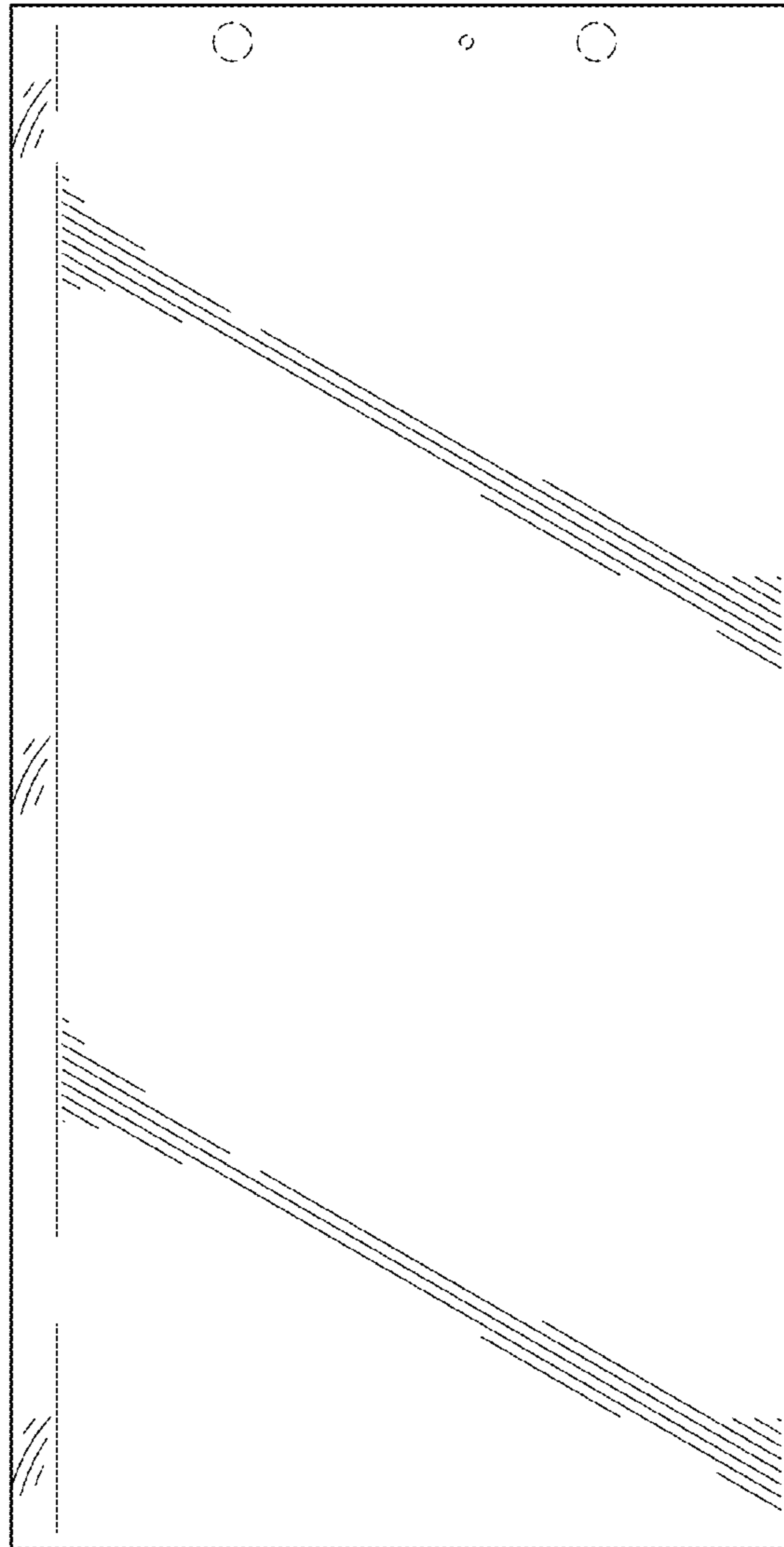


FIG. 12

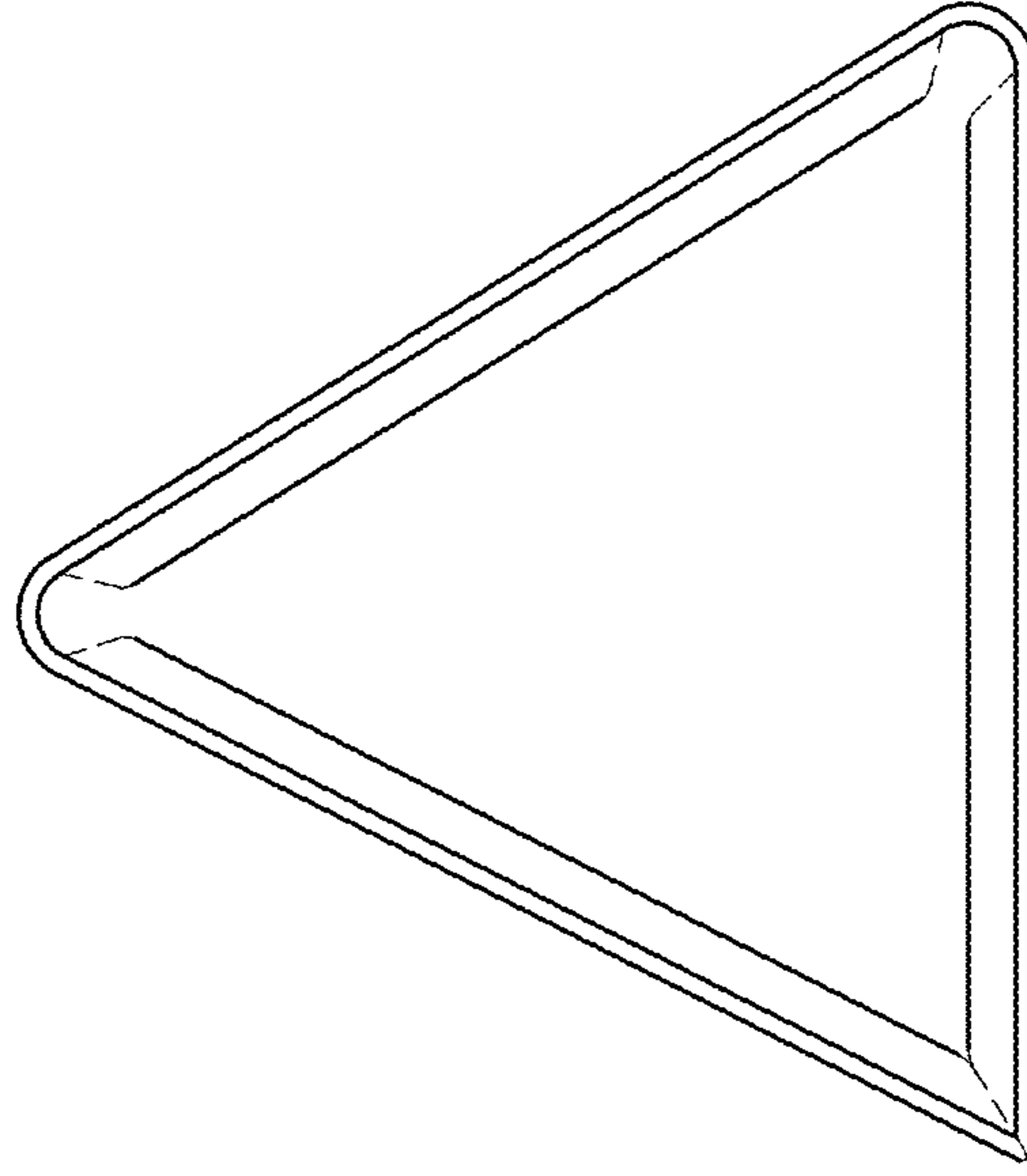


FIG. 14

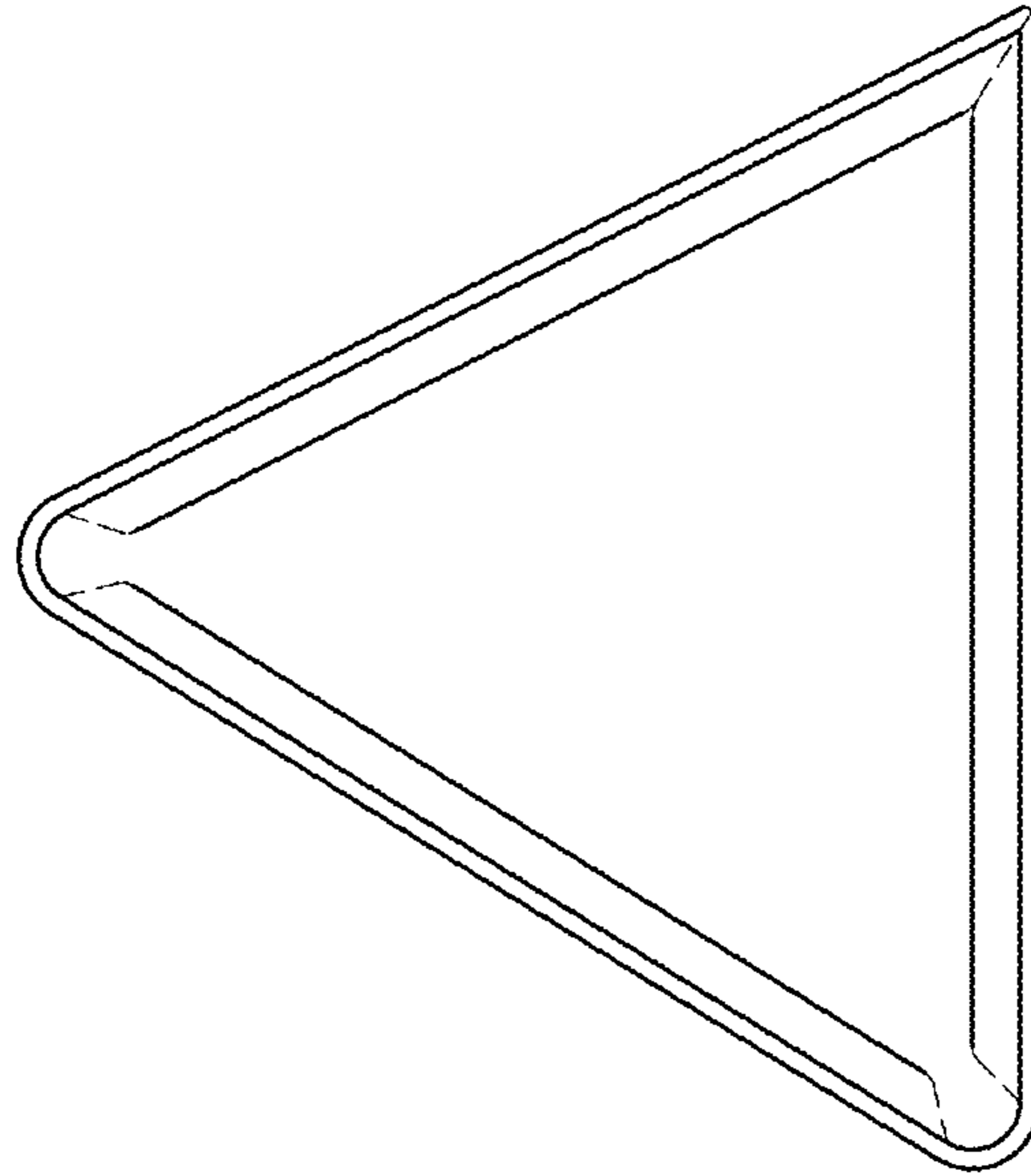


FIG. 13

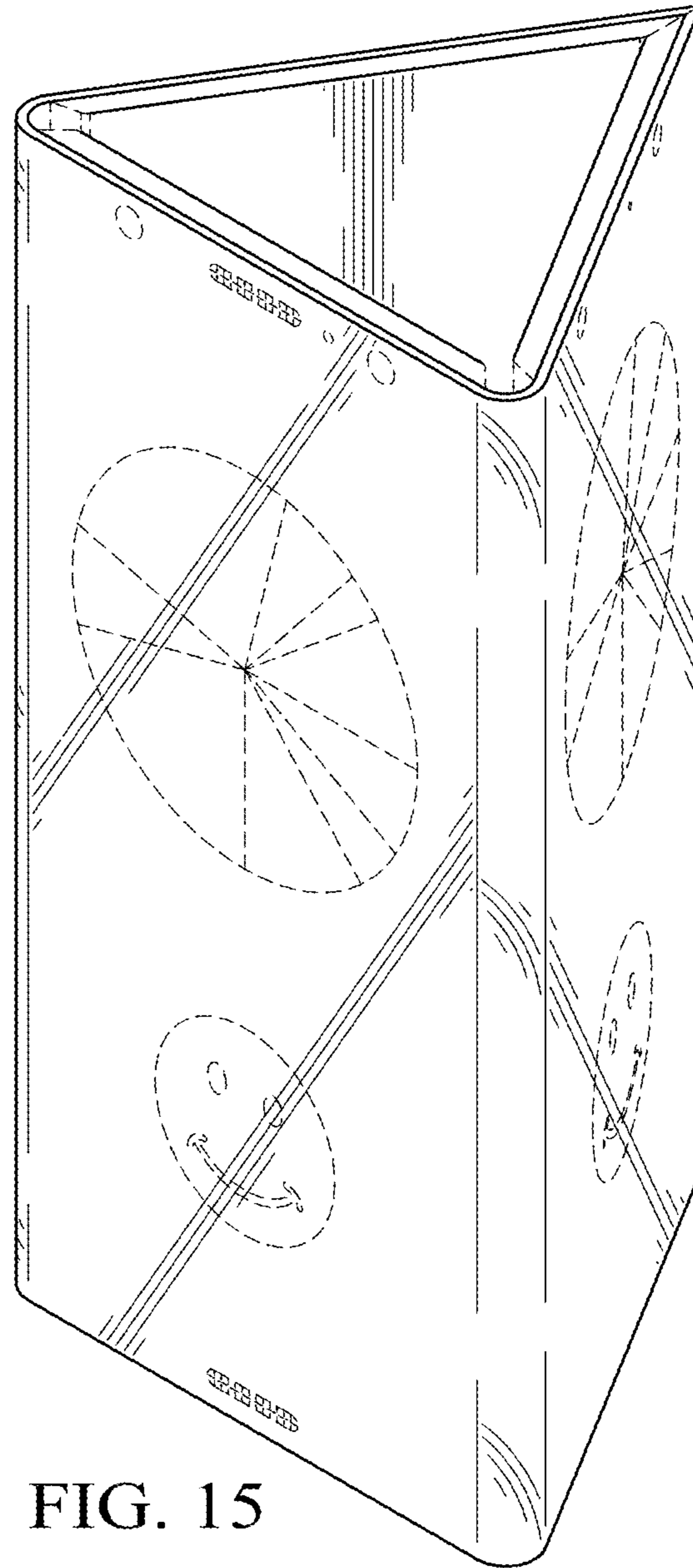


FIG. 15

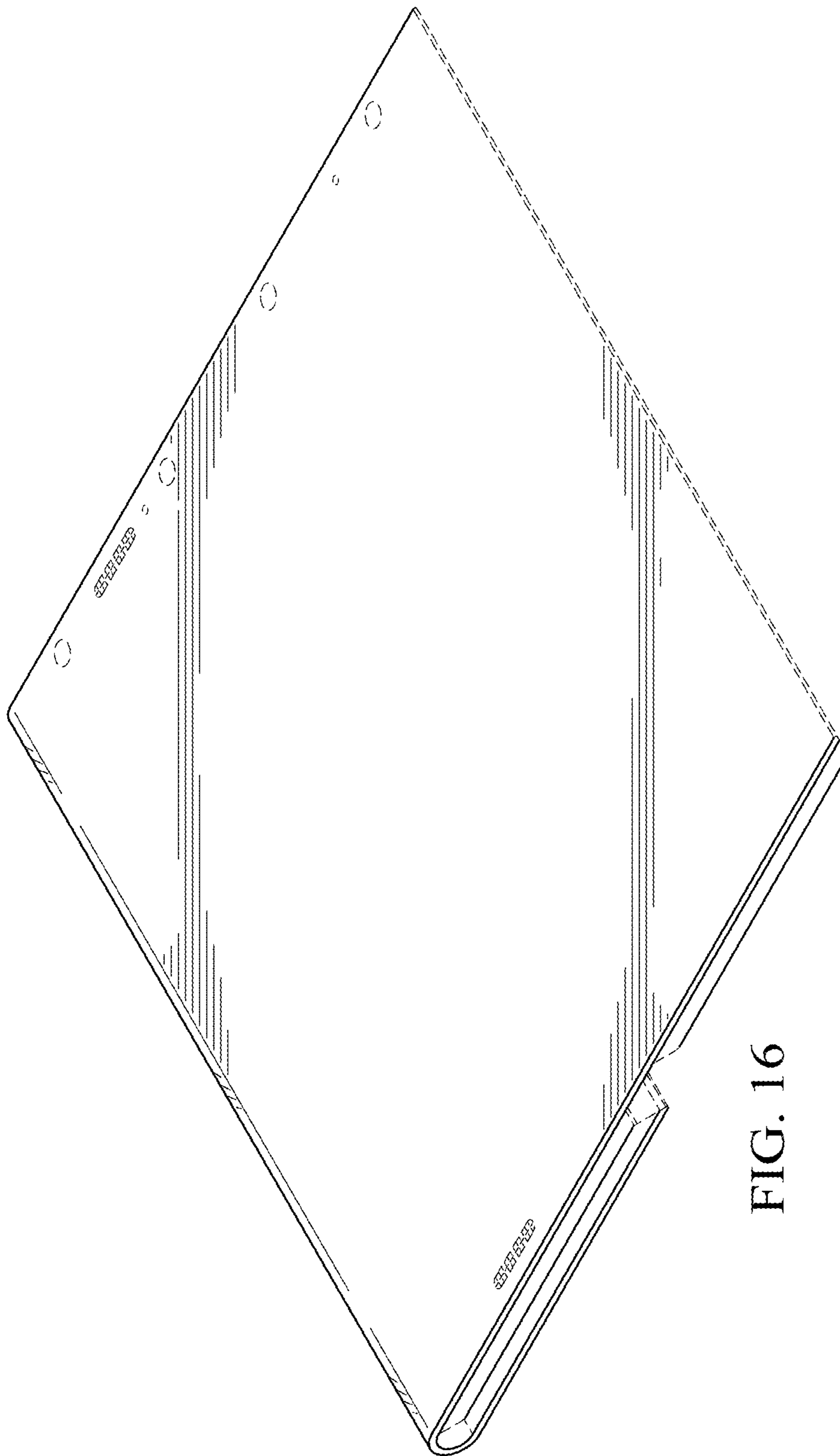


FIG. 16



FIG. 17

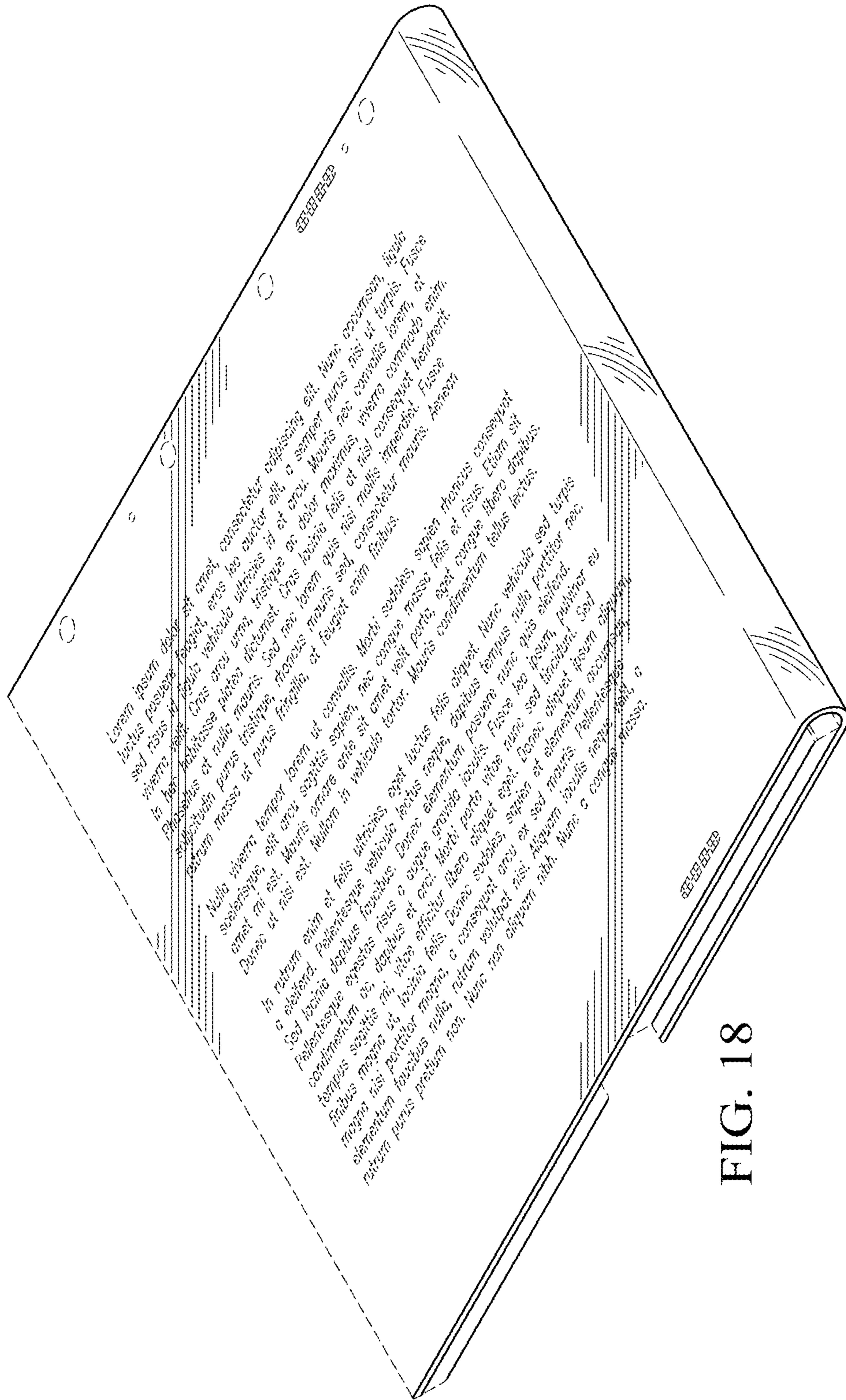
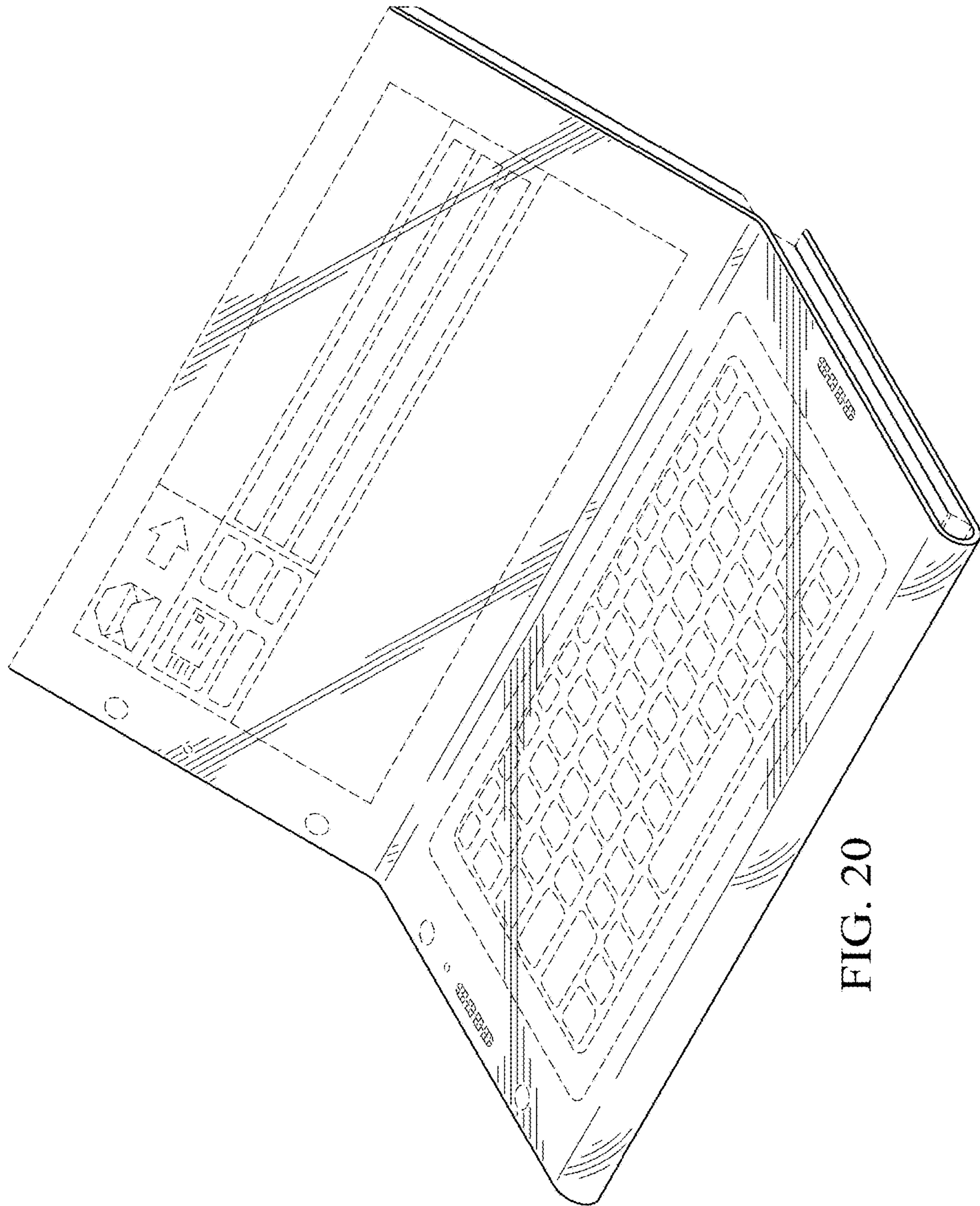


FIG. 18



FIG. 19



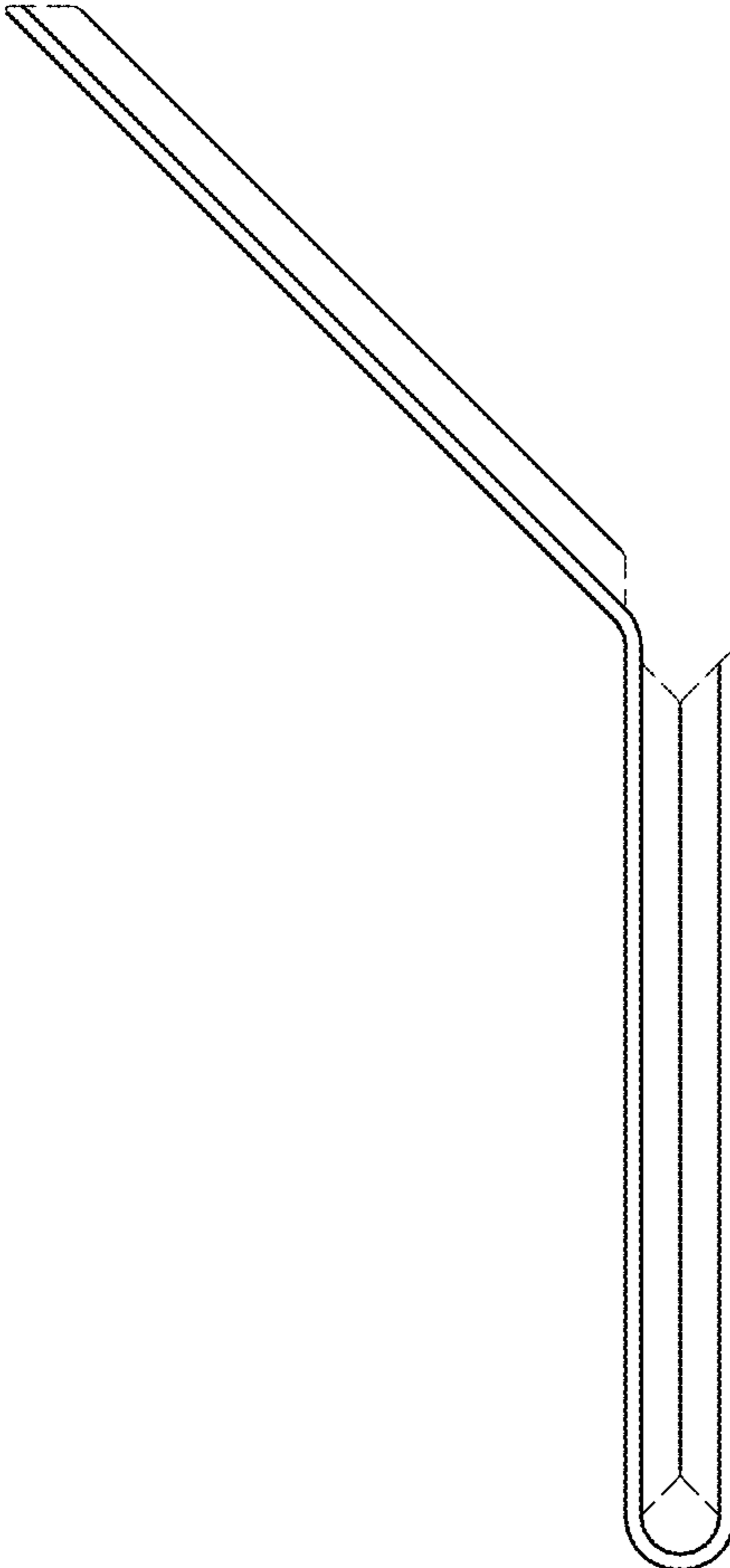


FIG. 21

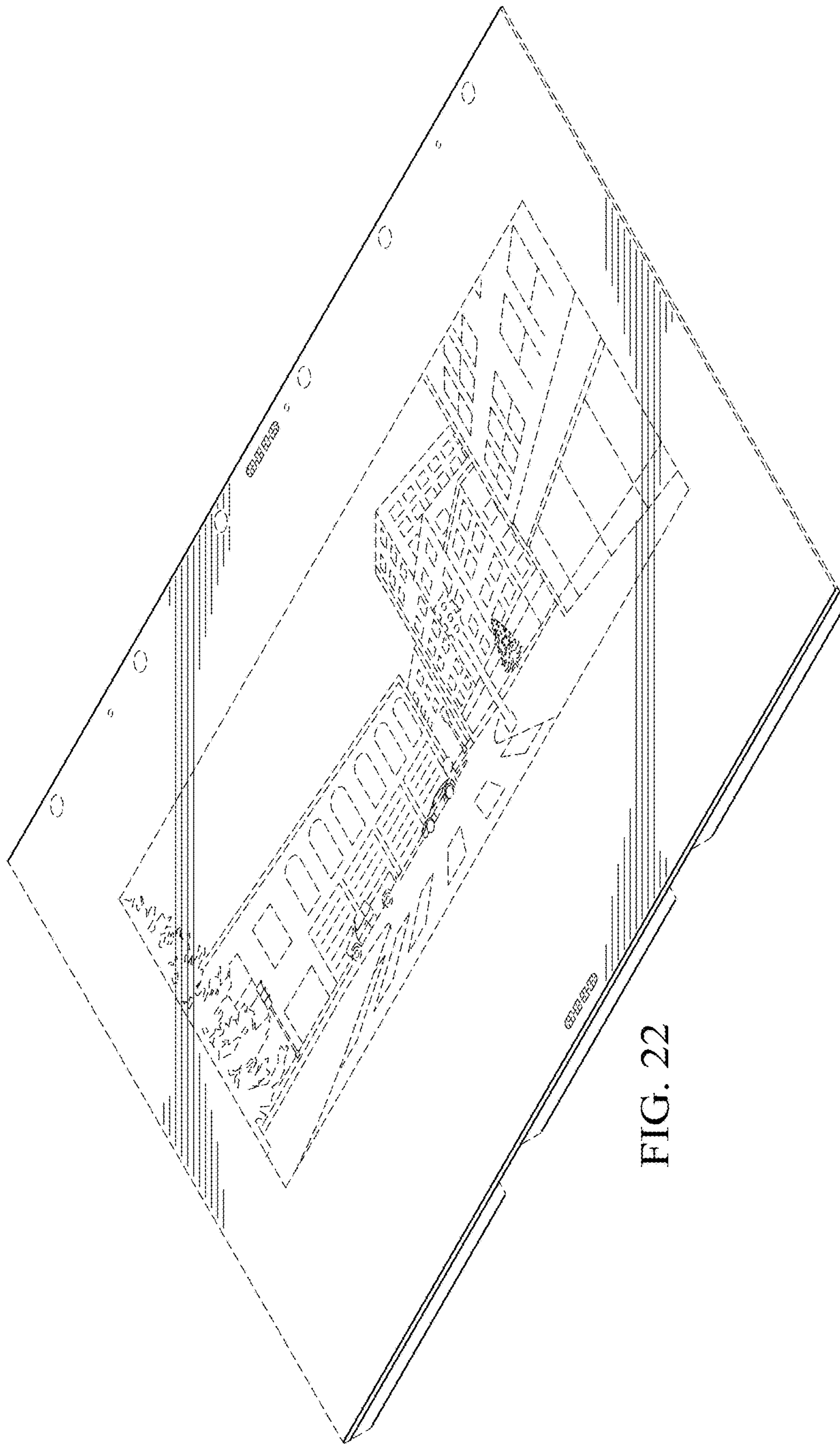


FIG. 22

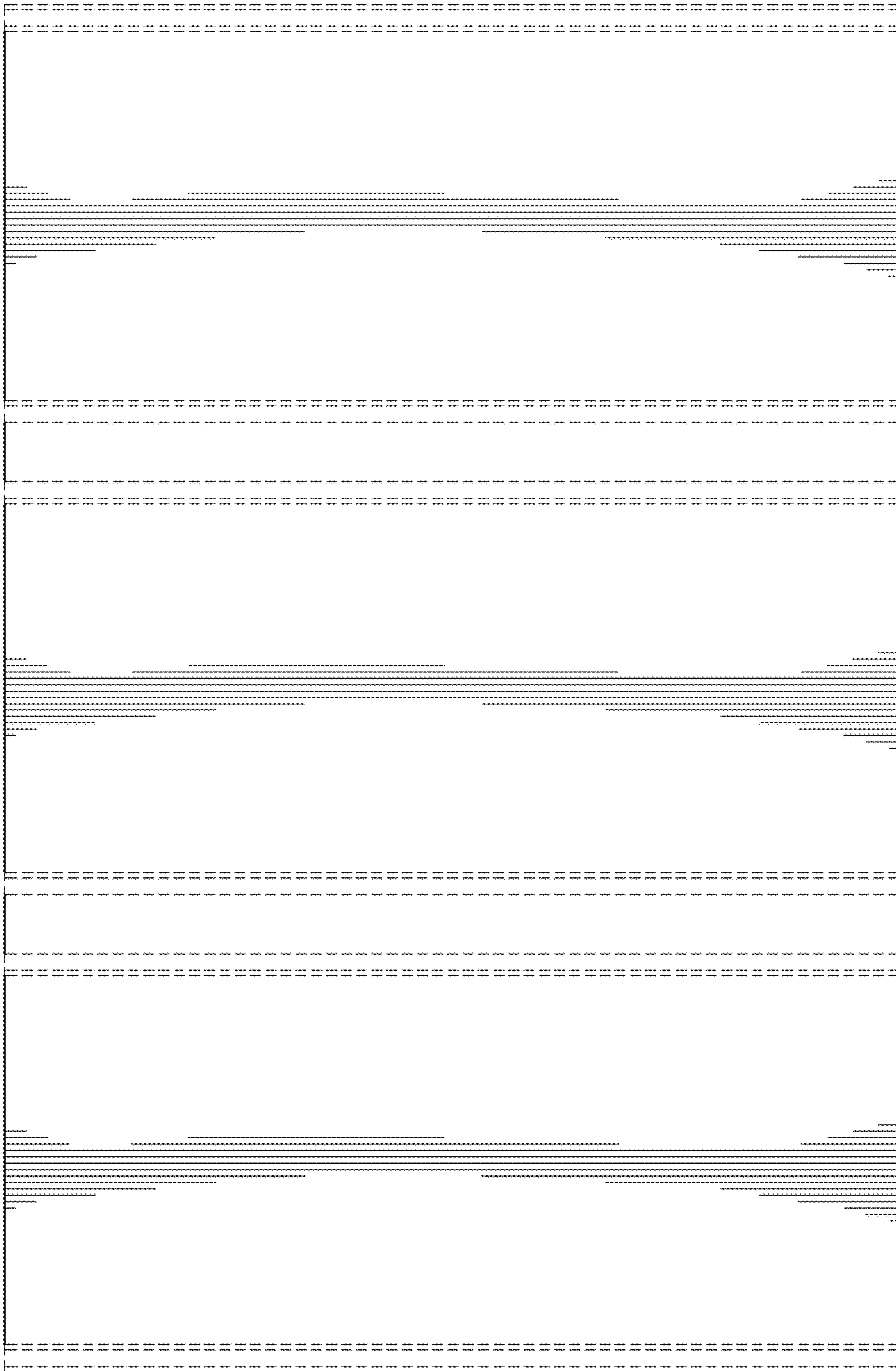
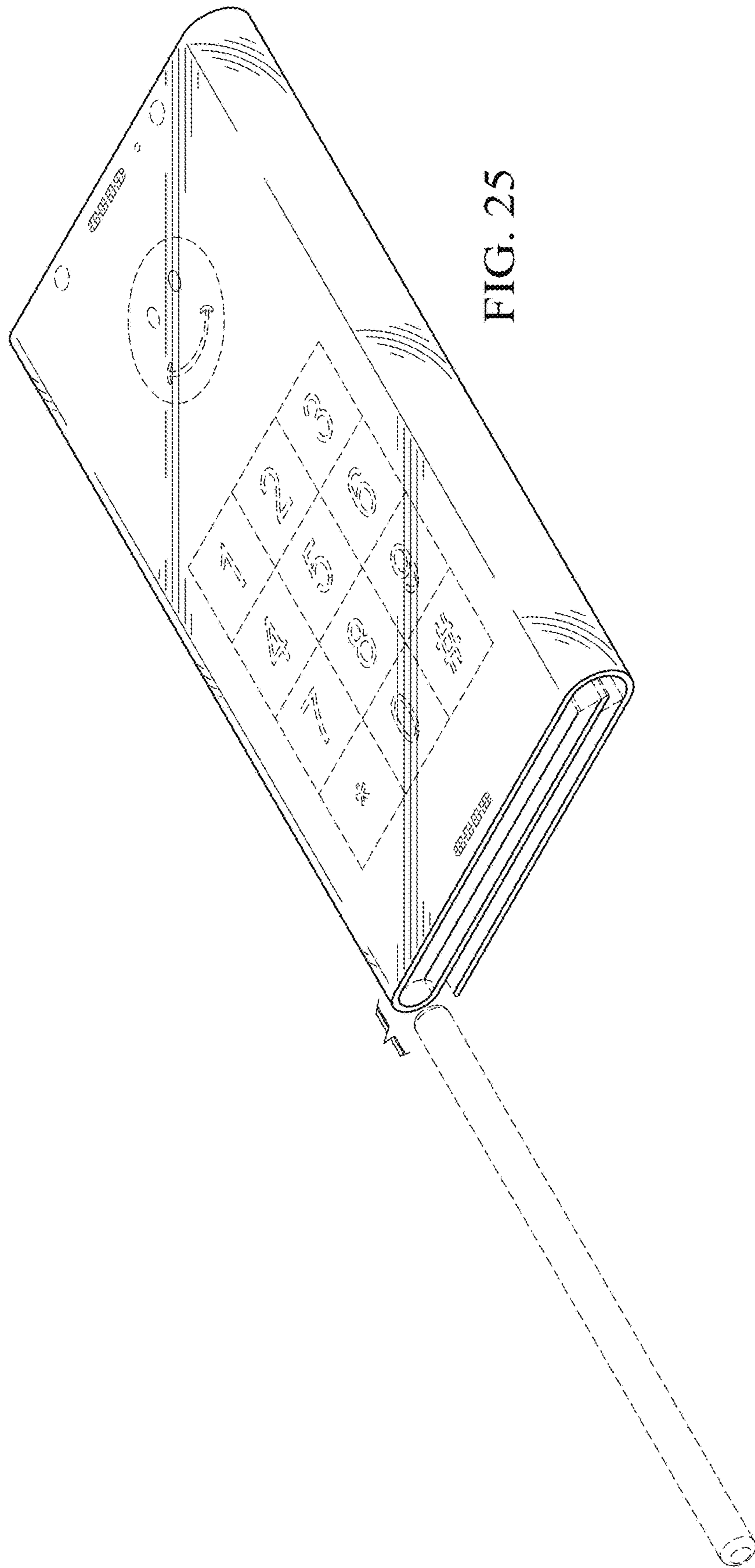


FIG. 23



FIG. 24



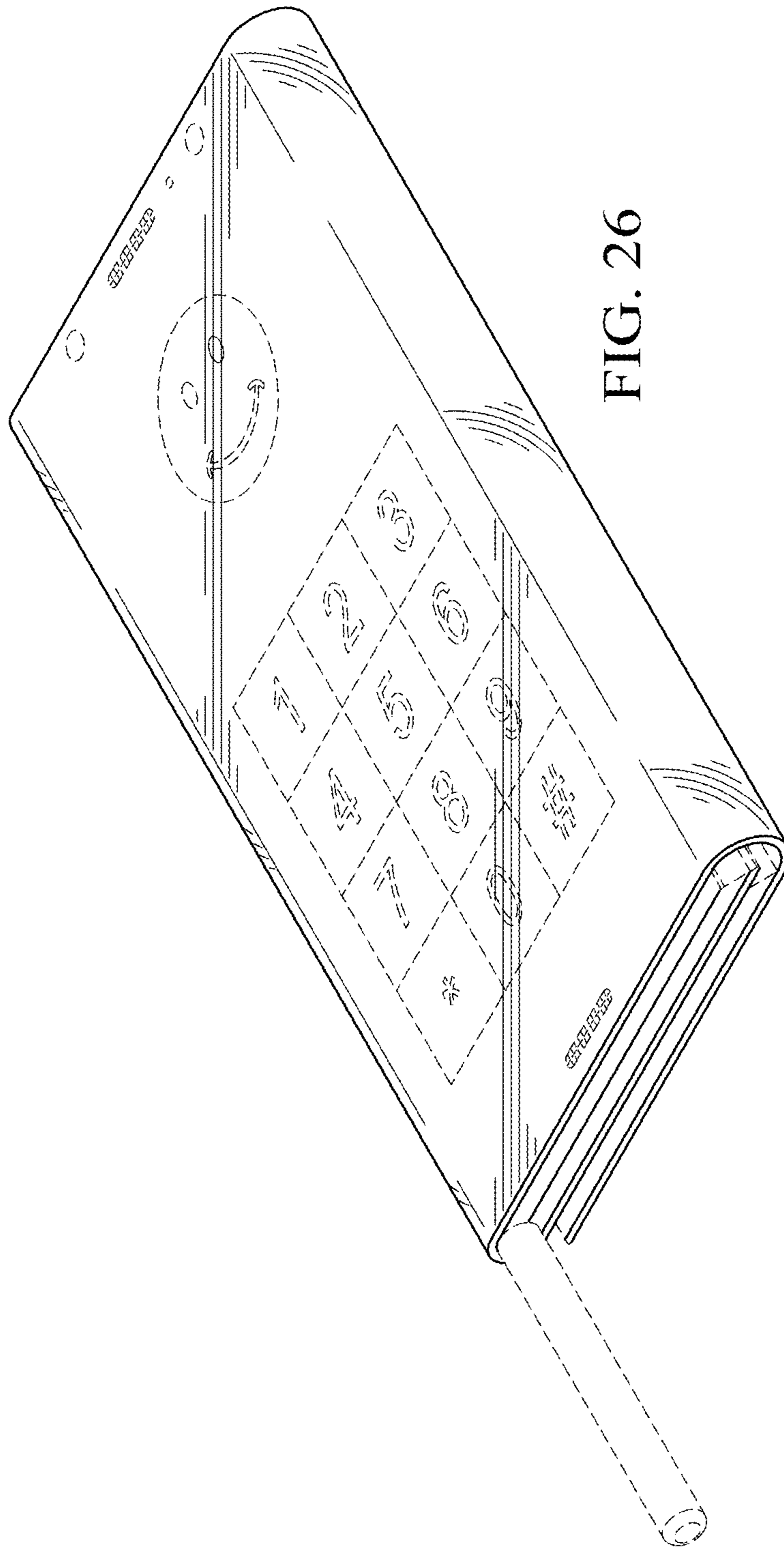


FIG. 26

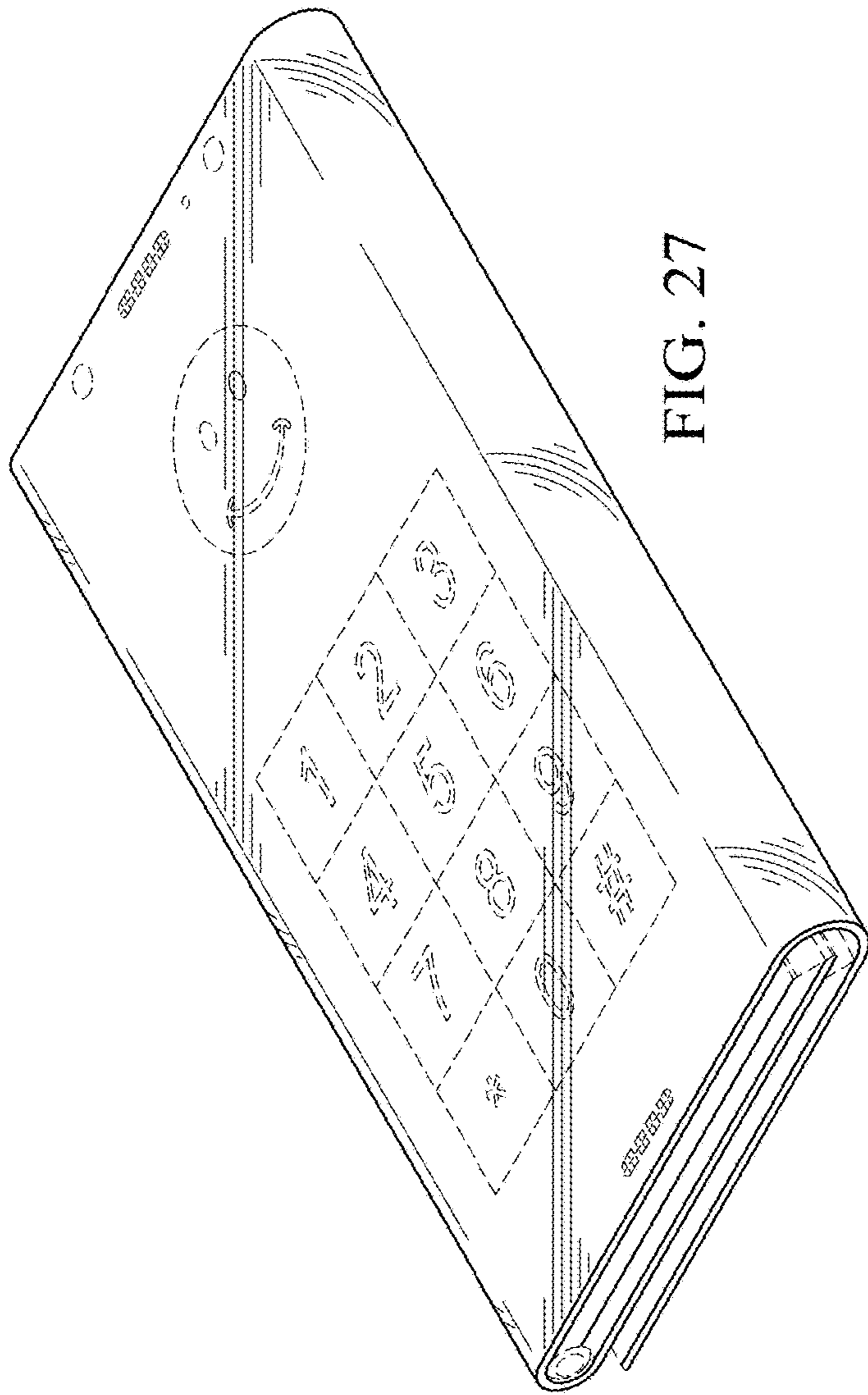


FIG. 27

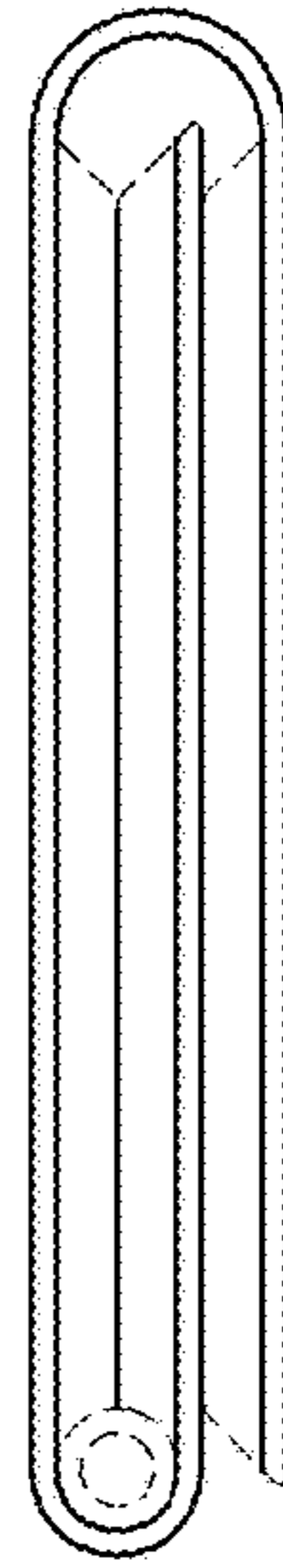


FIG. 28