



US00D789921S

(12) **United States Design Patent**
Skinner et al.

(10) **Patent No.:** **US D789,921 S**

(45) **Date of Patent:** **** *Jun. 20, 2017**

(54) **COMPUTER**

G06F 1/1601; A45C 11/00; H04M 1/00;
F16M 11/04; F16M 11/06; F16M 11/10

See application file for complete search history.

(71) Applicant: **Hewlett-Packard Development
Company, L.P.**, Houston, TX (US)

(56) **References Cited**

(72) Inventors: **David N. Skinner**, Houston, TX (US);
Glenn A. Wong, Houston, TX (US);
Stacy L. Wolff, Houston, TX (US);
Peter Lee, Houston, TX (US)

U.S. PATENT DOCUMENTS

D270,063	S *	8/1983	Ackeret	40/513
5,128,662	A *	7/1992	Failla	G06F 1/1601 248/924
6,987,666	B2 *	1/2006	Medica	F16M 11/10 248/424
7,203,059	B1 *	4/2007	Kramer	G06F 1/1616 210/303
D588,141	S *	3/2009	Heggland	D14/434
7,578,490	B2 *	8/2009	Kim	F16M 11/04 248/138
D599,792	S *	9/2009	Lin	D14/331
7,804,679	B2 *	9/2010	Pischl	G06F 1/1601 248/917
D676,453	S *	2/2013	Hsu	D14/447

(73) Assignee: **Hewlett-Packard Development
Company, L.P.**, Houston, TX (US)

(*) Notice: This patent is subject to a terminal disclaimer.

(**) Term: **14 Years**

(Continued)

(21) Appl. No.: **29/506,520**

Primary Examiner — Freda S Nunn

(22) Filed: **Oct. 16, 2014**

(74) *Attorney, Agent, or Firm* — Foley & Lardner LLP

(51) **LOC (10) Cl.** **14-02**

(57) **CLAIM**

(52) **U.S. Cl.**

We claim the ornamental design for a computer, as shown and described.

USPC **D14/336**

(58) **Field of Classification Search**

DESCRIPTION

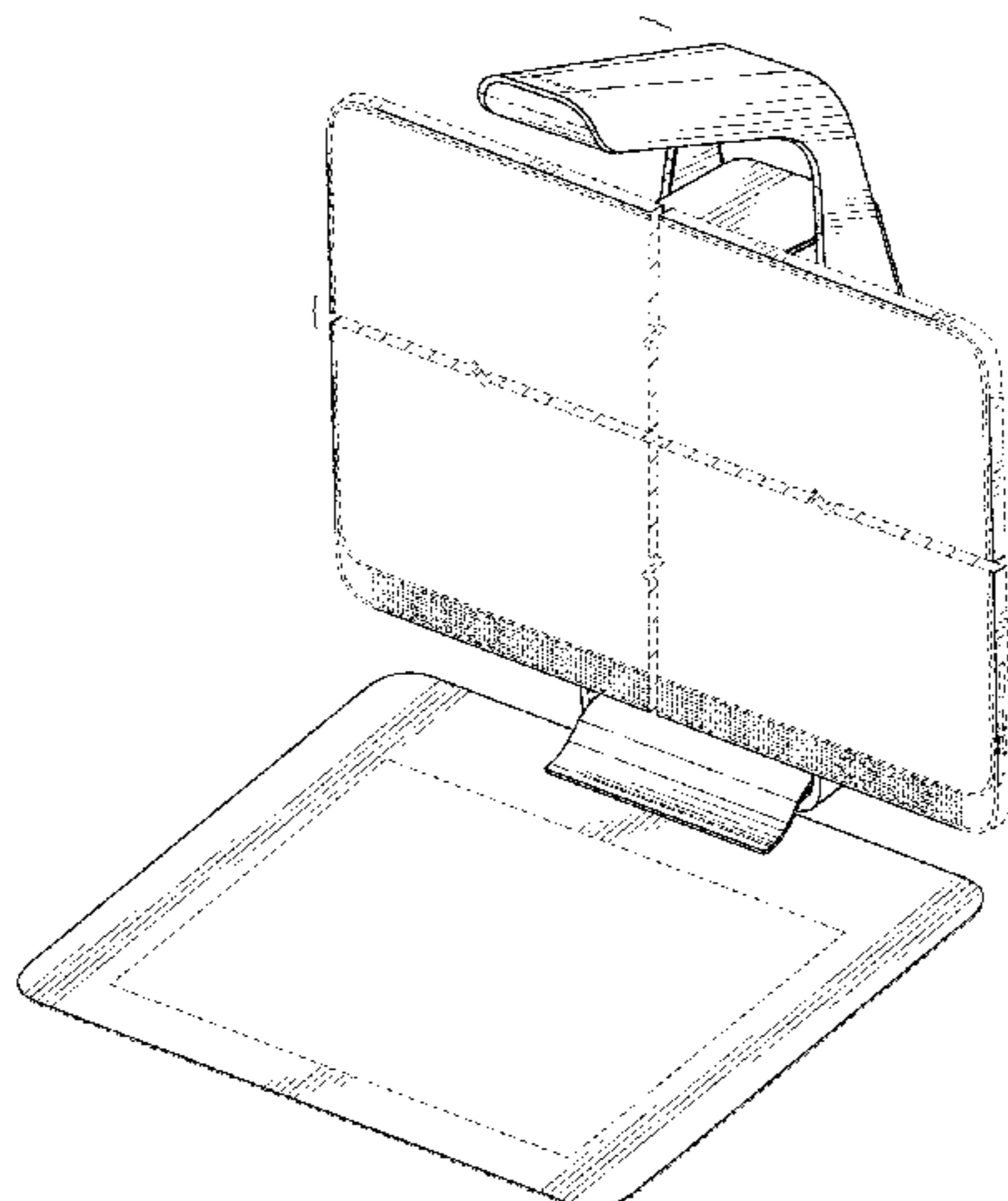
USPC D14/341–346, 455, 456, 451, 452, 457,
D14/434, 371; D18/1, 2, 7, 11, 4.1–4.6,
D18/24–28; 178/17 A, 17 C; 200/5 A,
200/5 R, 6 A, 6 R, 341; 235/145 A,
235/145 R; 341/22, 23; 345/160, 168,
345/169; 361/679.08, 679.09, 679.11,
361/679.12; 400/484–489, 492, 682;
455/418, 550.1, 556.2, 575.1, 575.3,
455/575.4; D13/107, 108

FIG. 1 is a top, front, right perspective view of a computer showing our new design;
FIG. 2 is a bottom, front, left perspective view thereof;
FIG. 3 is a front elevation view thereof;
FIG. 4 is a rear elevation view thereof;
FIG. 5 is a left elevation view thereof;
FIG. 6 is a right elevation view thereof;
FIG. 7 is a top plan view thereof; and,
FIG. 8 is a bottom plan view thereof.

CPC H03M 11/00; H01H 13/14; H01H 13/84;
B41J 5/00; B41J 5/12; B41J 5/10; H03K
17/94; G06F 1/1626; G06F 1/1632; G06F
1/1616; G06F 3/0221; G06F 1/1628;

The dash-dash broken lines shown in the drawings represent environment only and form no part of the claimed design, the jagged lines shown broken away indicate an indetermi-

(Continued)



nate length and the appearance of any portion of the article between the lines forms no part of the claimed design.

1 Claim, 8 Drawing Sheets

(56) **References Cited**

U.S. PATENT DOCUMENTS

D698,356 S *	1/2014	Park	D14/138 AD
D714,794 S *	10/2014	Quijano	D14/447
2007/0064380 A1 *	3/2007	Shin	F16M 11/06 361/679.07
2010/0001163 A1 *	1/2010	Takizawa	F16M 11/06 248/371

* cited by examiner

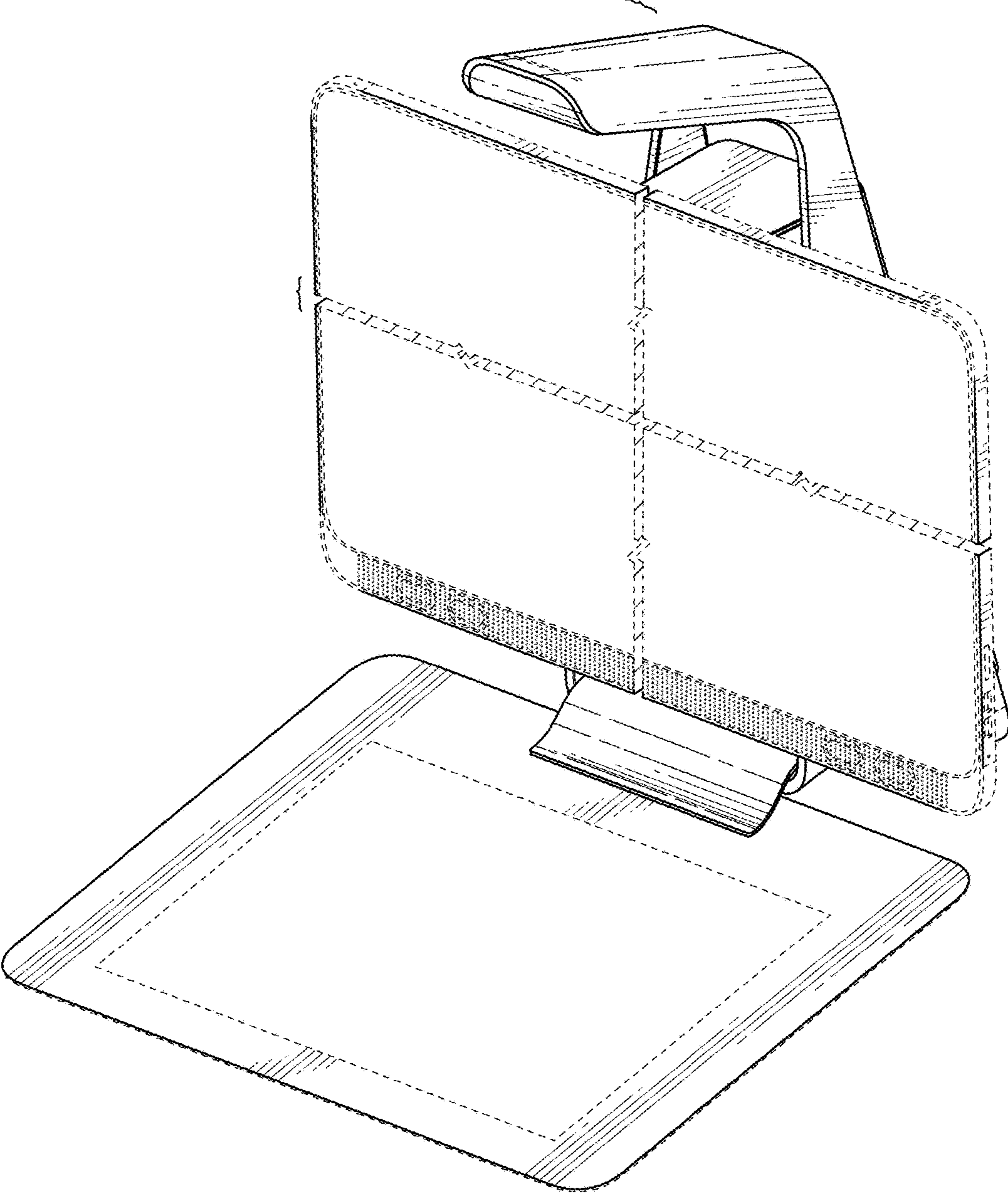


FIG. 1

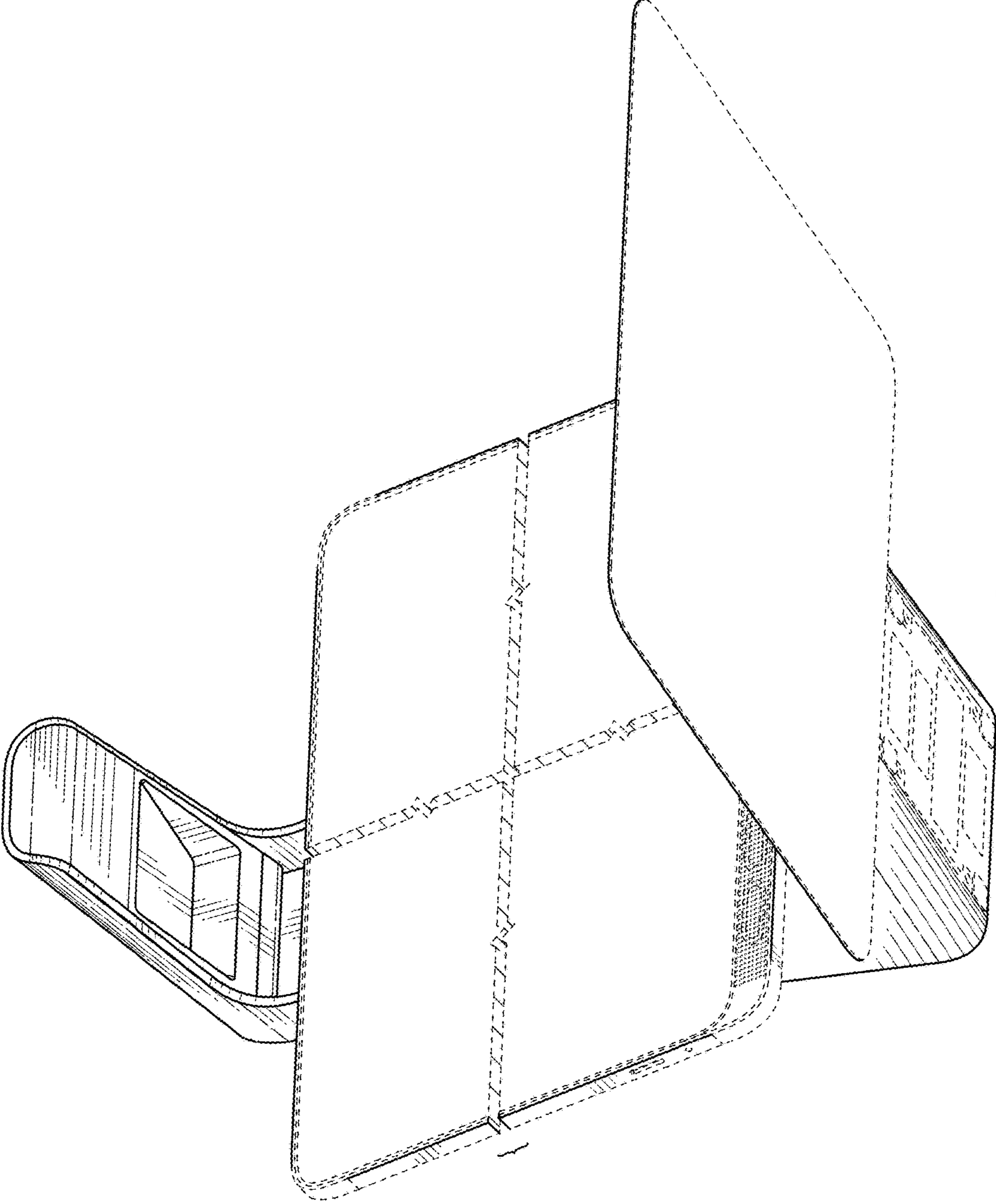


FIG. 2

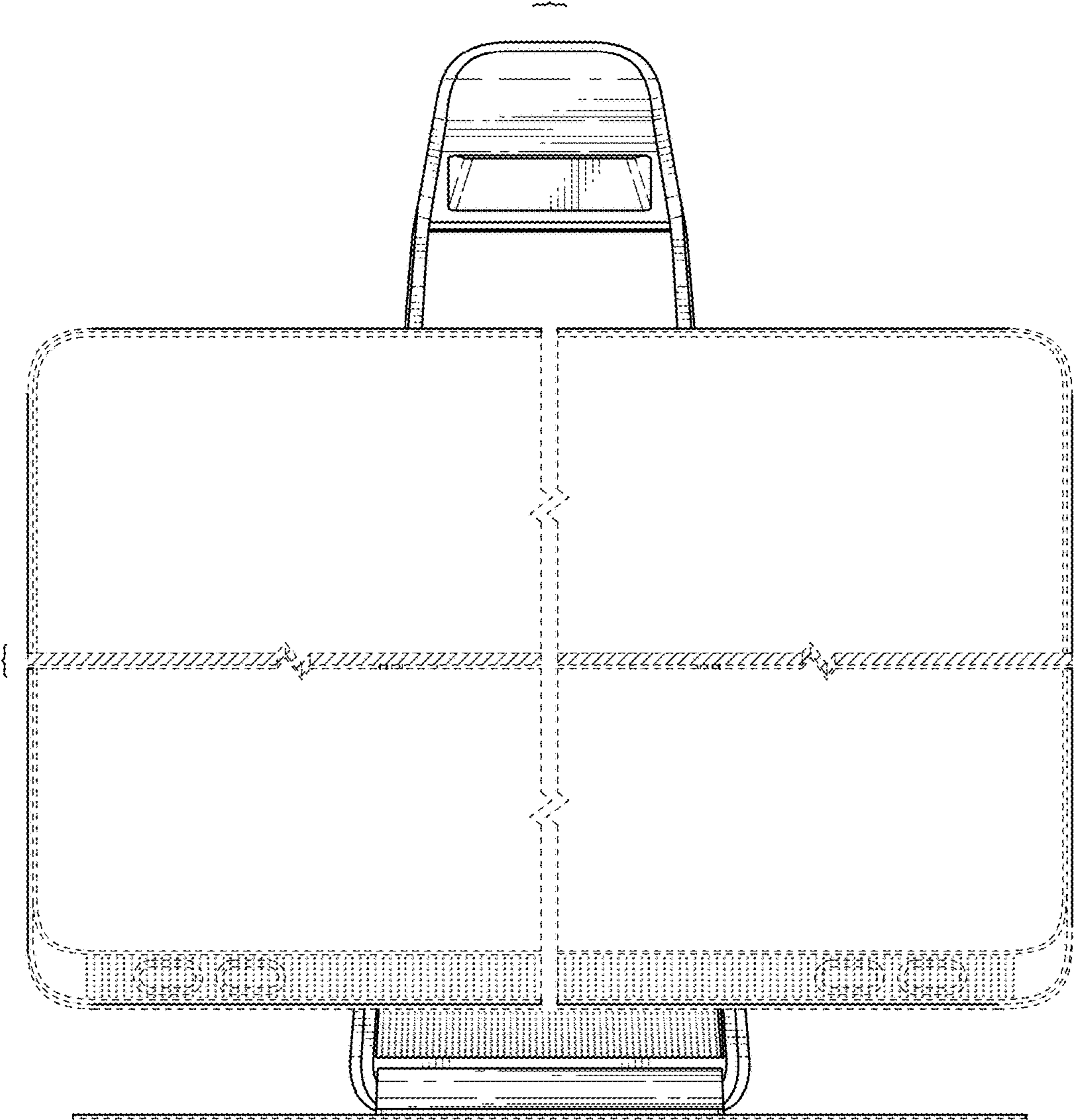


FIG. 3

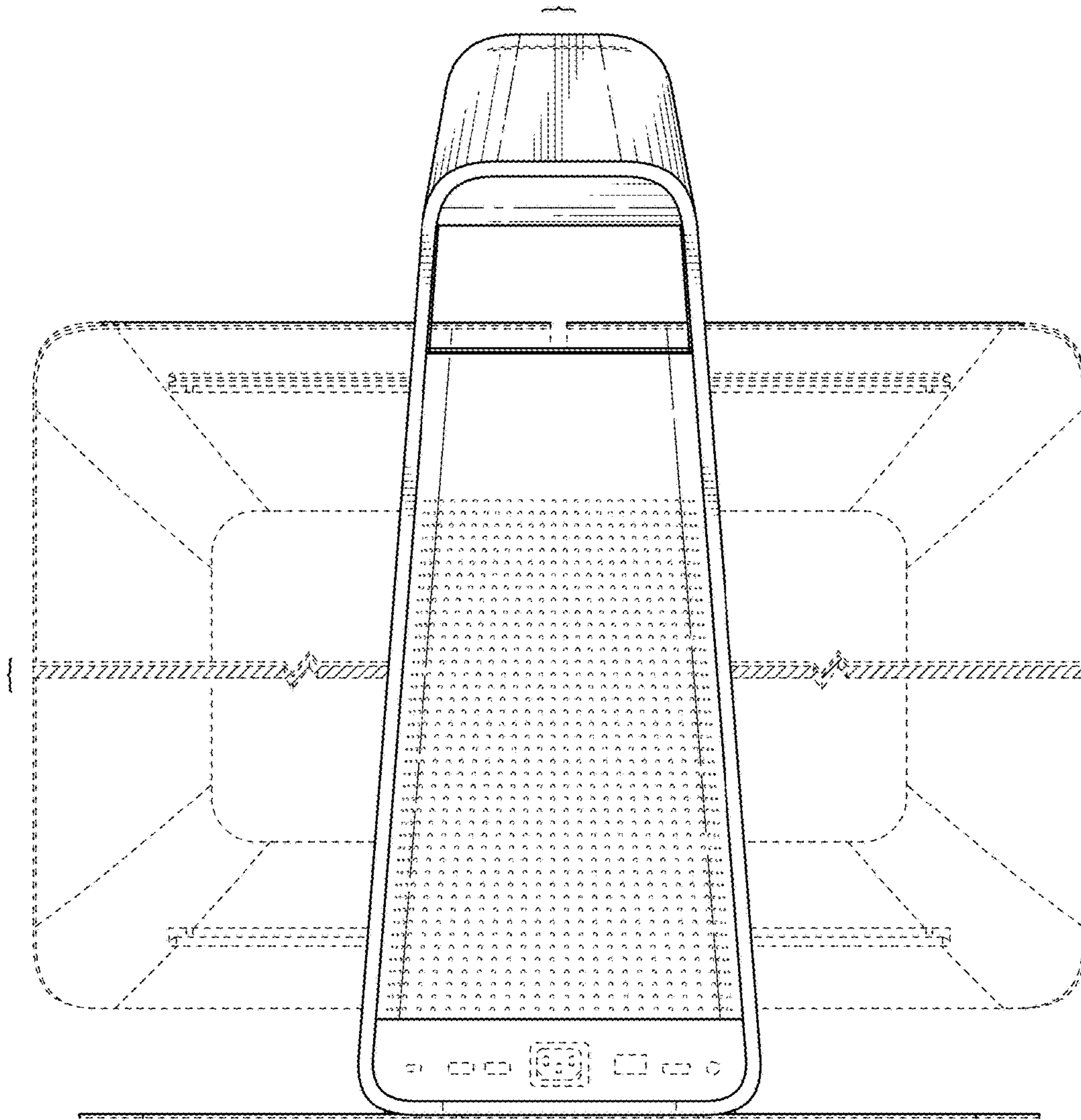
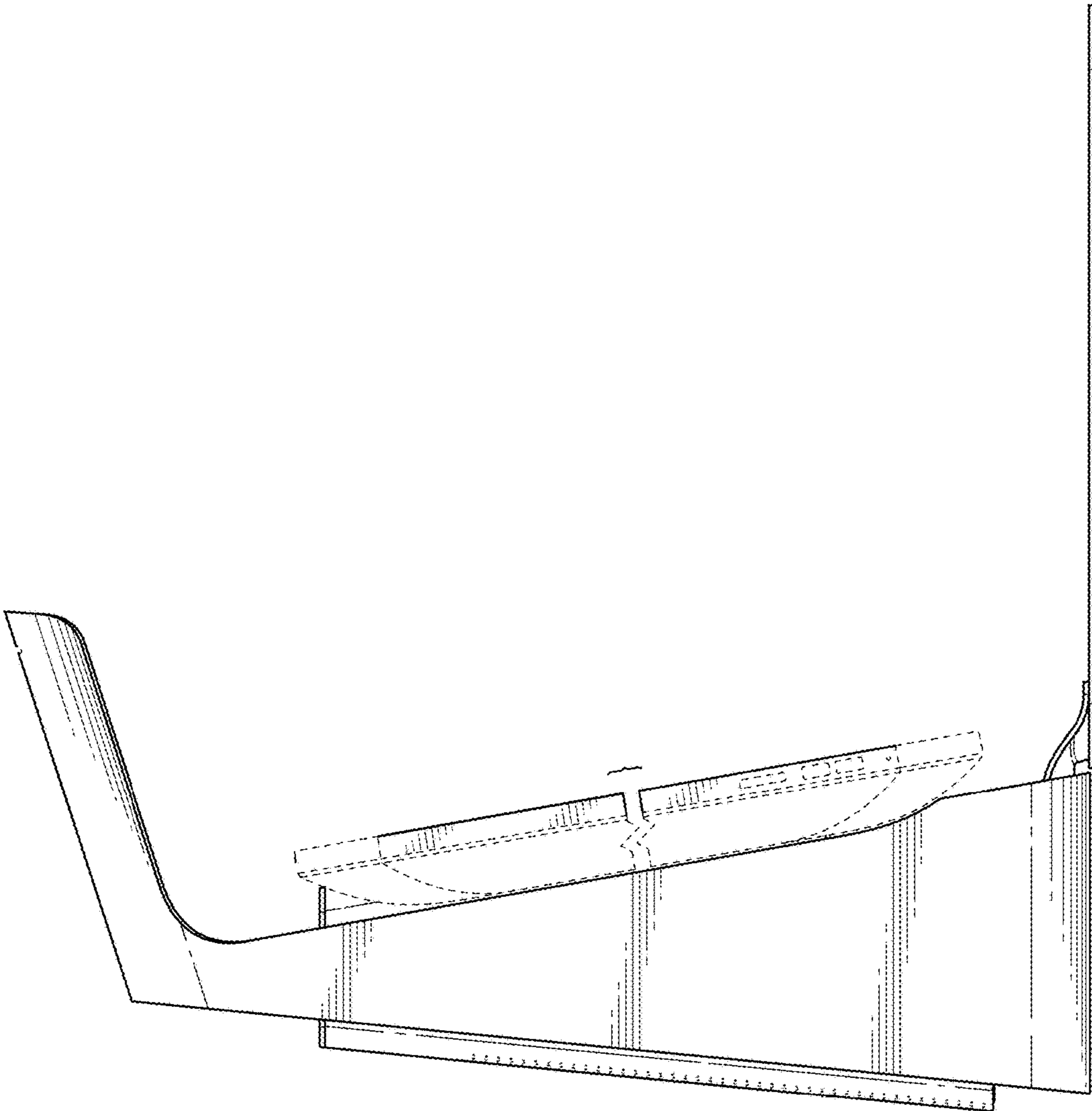


FIG. 4

FIG. 5



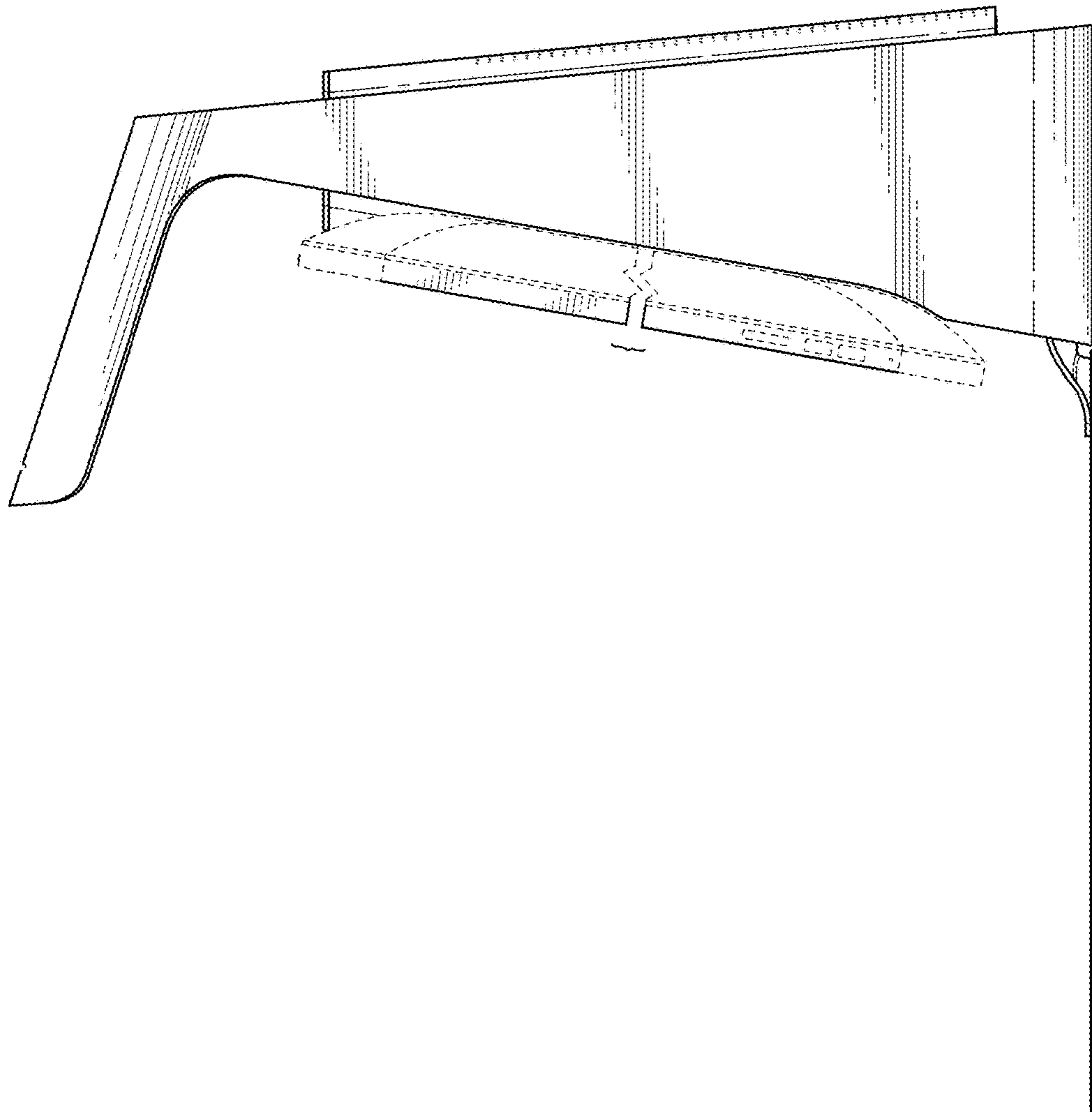


FIG. 6

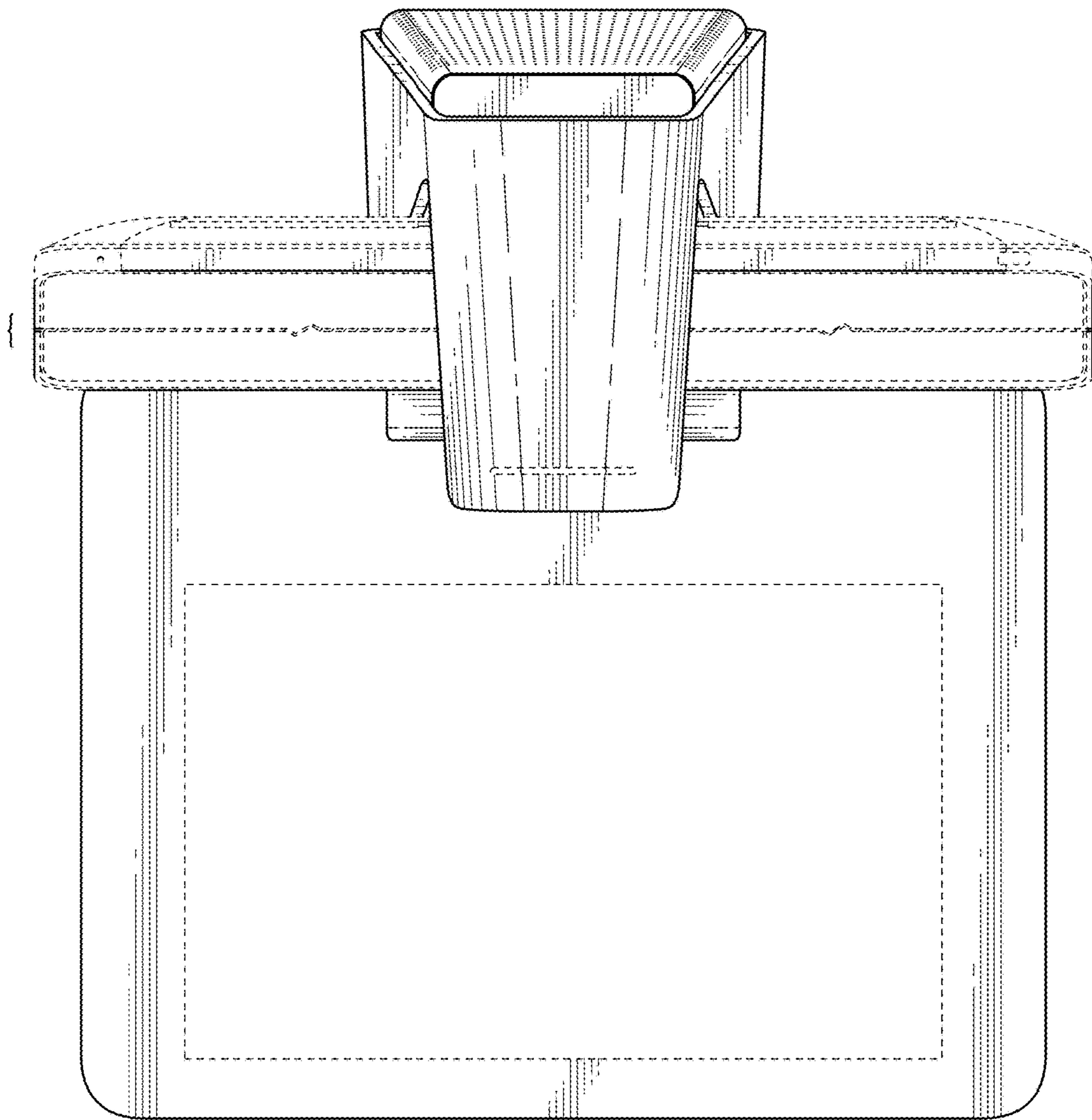


FIG. 7

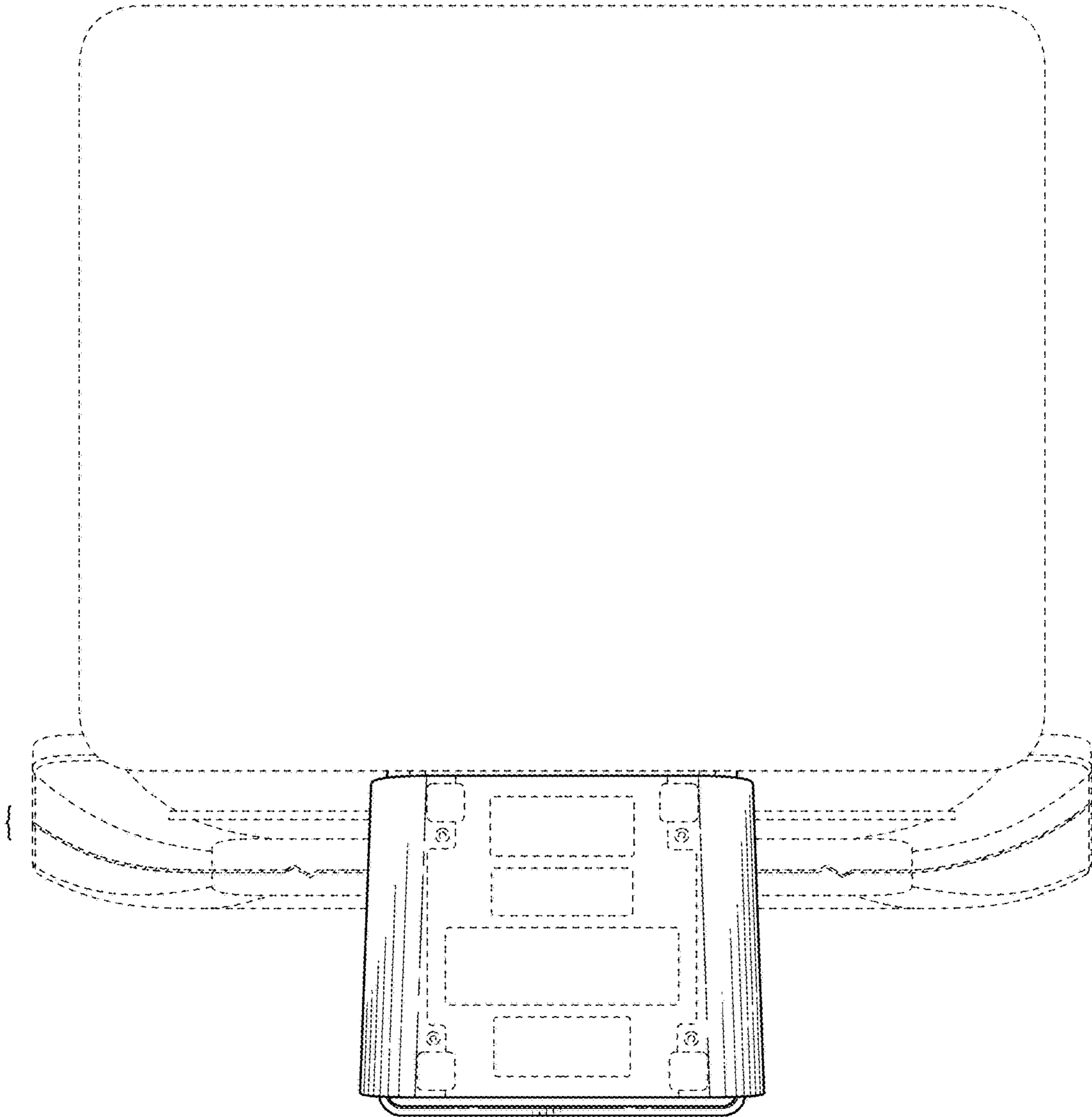


FIG. 8