



US00D789920S

(12) **United States Design Patent**
Zhang

(10) **Patent No.:** **US D789,920 S**

(45) **Date of Patent:** **** Jun. 20, 2017**

(54) **VENT MOUNT**

(71) Applicant: **Ping Zhang**, Wexford, PA (US)

(72) Inventor: **Ping Zhang**, Wexford, PA (US)

(**) Term: **15 Years**

(21) Appl. No.: **29/553,400**

(22) Filed: **Feb. 1, 2016**

(51) **LOC (10) Cl.** **14-03**

(52) **U.S. Cl.**
USPC **D14/253**

(58) **Field of Classification Search**
USPC D14/253, 447; D23/327, 393; D8/373;
D12/415

CPC F16M 13/02; F16M 13/022; F16M 11/14;
B60R 11/02; B60R 11/0241

See application file for complete search history.

(56) **References Cited**

U.S. PATENT DOCUMENTS

D361,671 S *	8/1995	Sharpe	D6/323
D374,596 S *	10/1996	Delchev	D14/217
D484,784 S *	1/2004	Siragusa	D8/394
D485,853 S *	1/2004	Daniels	D16/203
D530,400 S *	10/2006	Ostergaard	D23/262
D552,649 S *	10/2007	Logan	D16/200
D552,651 S *	10/2007	Arbuckle	D16/202
D578,868 S *	10/2008	Ramakers	D8/354
D690,707 S *	10/2013	Minn	D14/447
D696,673 S *	12/2013	Vogel	D14/447
D696,674 S *	12/2013	Vogel	D14/447
D734,746 S *	7/2015	Vogel	D14/253
D750,633 S *	3/2016	Minn	D14/447
D778,714 S *	2/2017	McSweyn	D12/415
D780,168 S *	2/2017	Du	D14/253
D781,297 S *	3/2017	Liao	D14/447
D782,462 S *	3/2017	Huang	D14/253

2002/0088916 A1*	7/2002	March	B60R 1/04 248/549
2014/0138419 A1*	5/2014	Minn	B60R 11/0241 224/567
2016/0325693 A1*	11/2016	Kim	F16M 11/08

OTHER PUBLICATIONS

Alibaba.com, Apps2car car iar vent mount magnetic, magnetic mobile phone holder car, universal car holder for smartphone, undated online product page, Retrieved from <URL:https://www.alibaba.com/product-detail/Apps2car-car-air-vent-mount-magnetic_60136106045.html>.*

* cited by examiner

Primary Examiner — Sheryl Lane

Assistant Examiner — Calvin E Vansant

(74) *Attorney, Agent, or Firm* — Na Xu; IPro, PLLC

(57) **CLAIM**

The ornamental design for a vent mount, as shown and described.

DESCRIPTION

FIG. 1 is a front perspective view of a vent mount showing the new design.

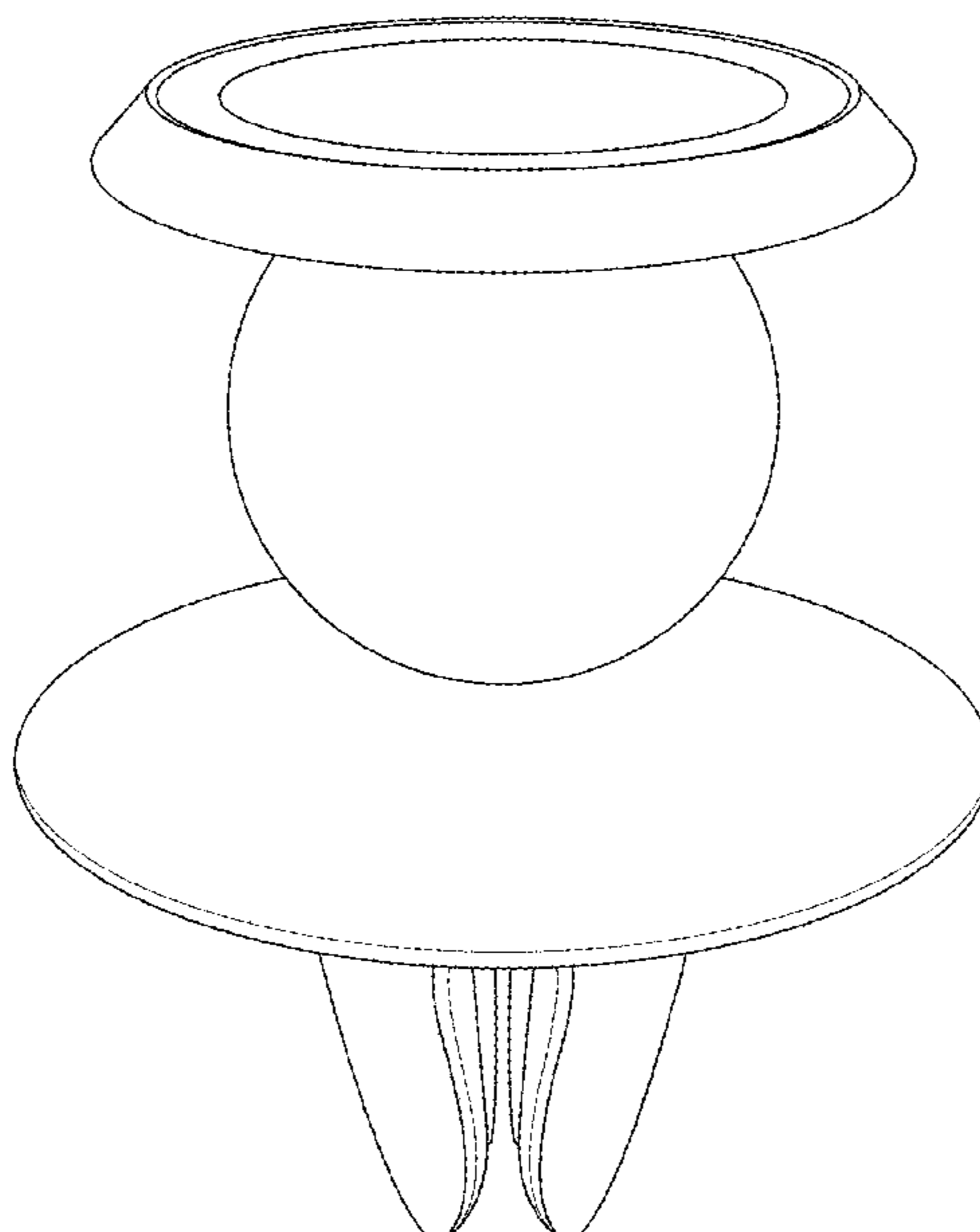
FIG. 2 is another perspective view thereof.

FIG. 3 is a front elevation view thereof; a rear elevation view, a left elevation view, or a right elevation view is each a mirror image of the front elevation view and is not separately depicted.

FIG. 4 is a bottom plane view thereof; and,

FIG. 5 is a top plane view thereof.

1 Claim, 5 Drawing Sheets



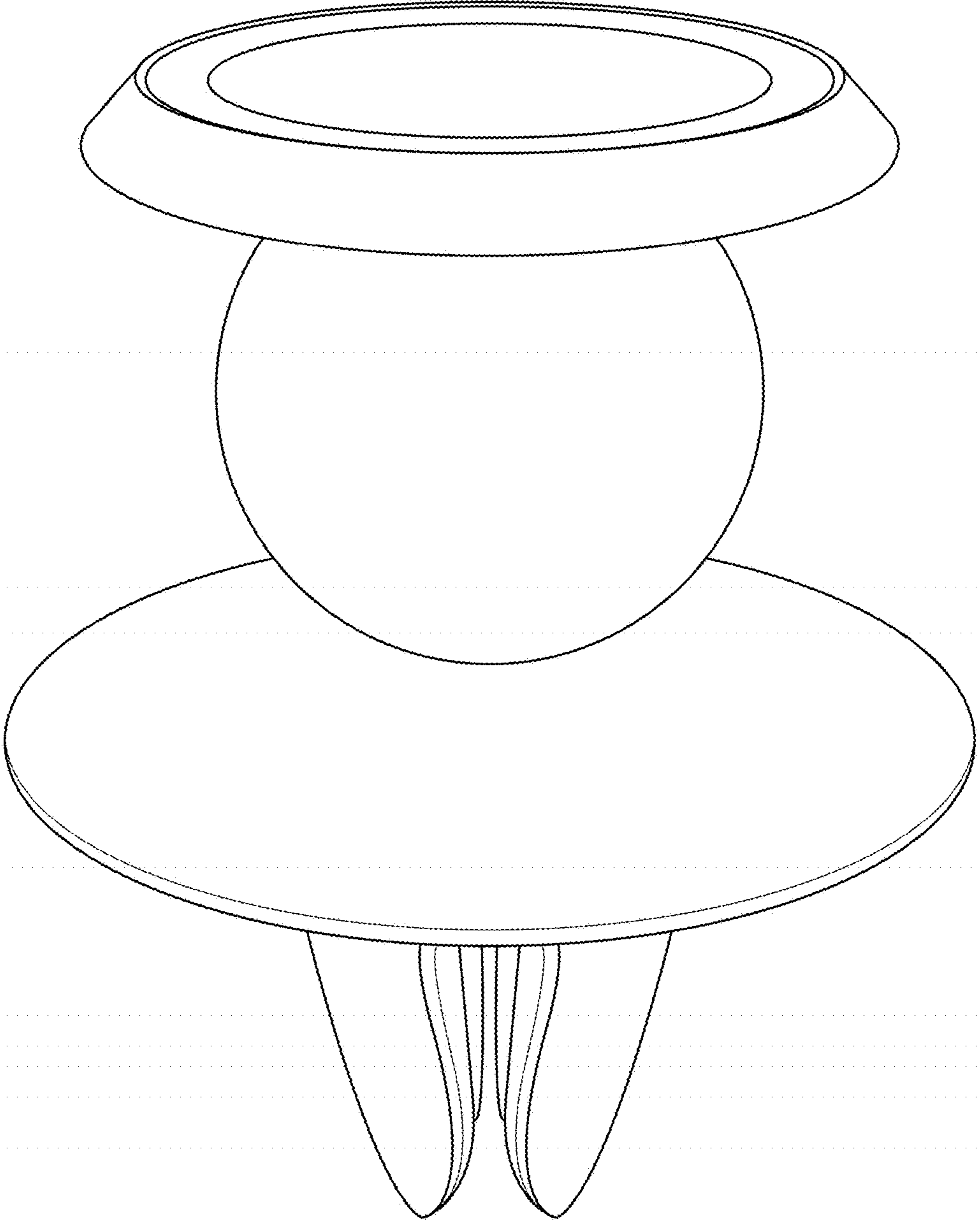


Figure 1

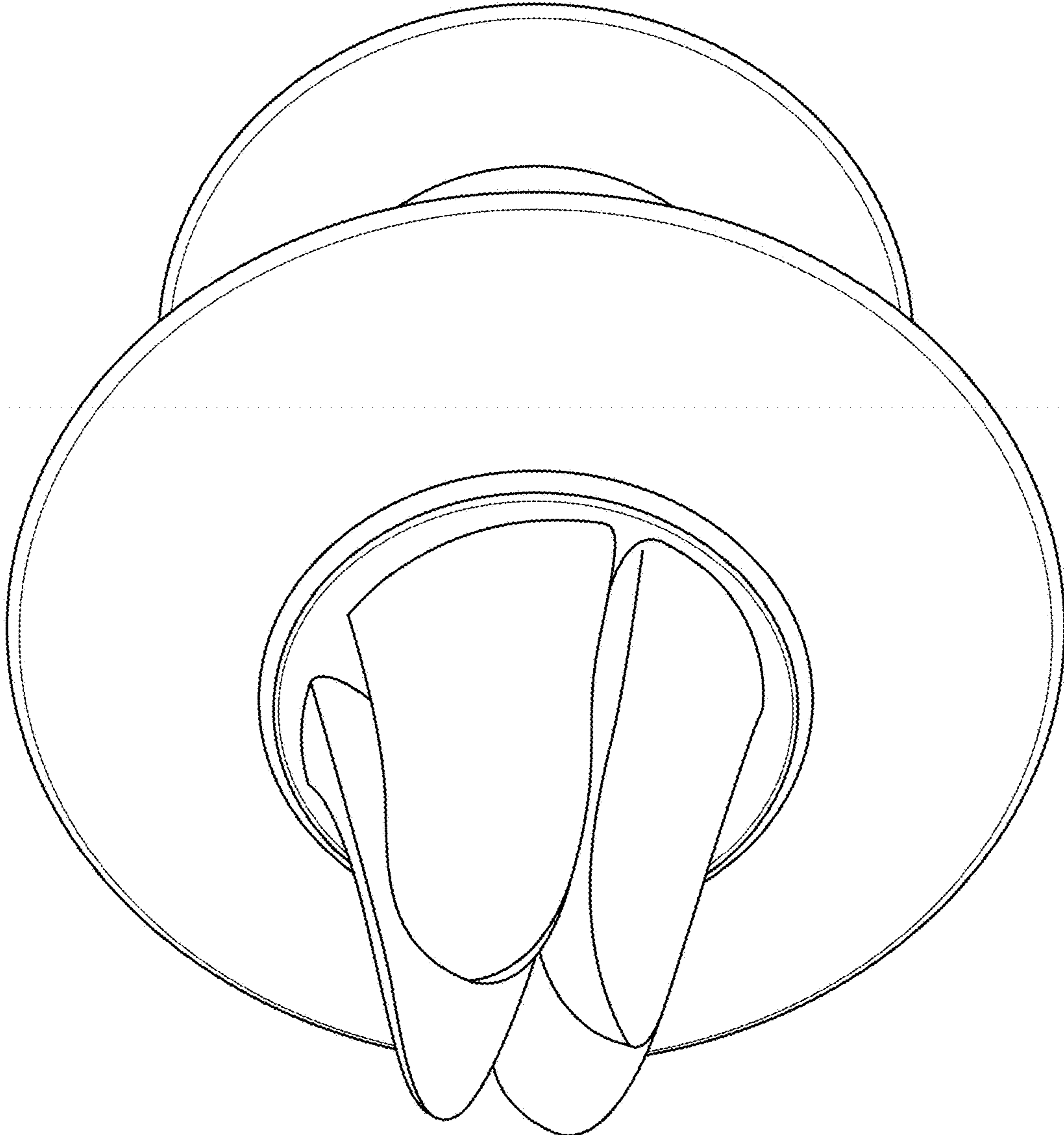


Figure 2

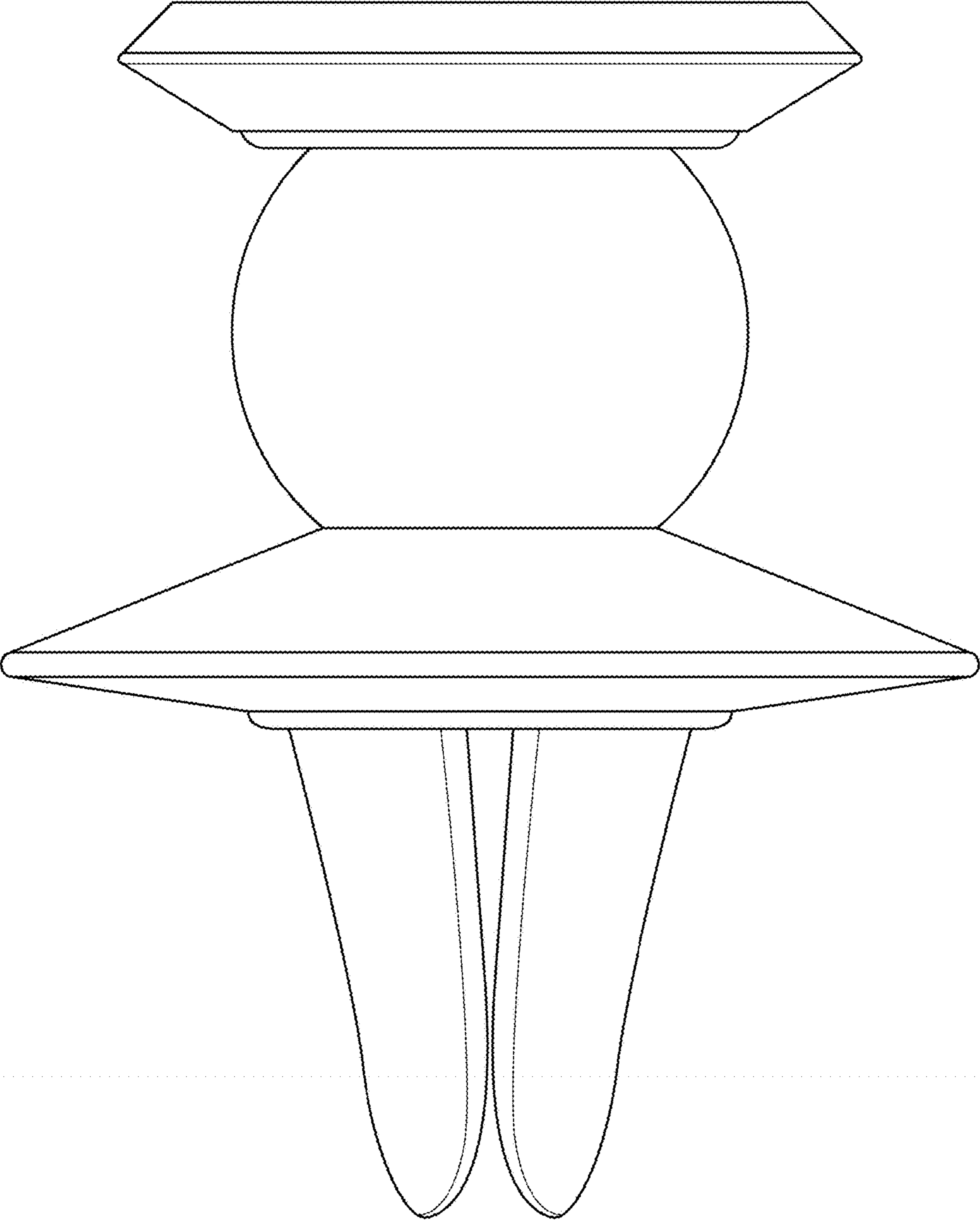


Figure 3

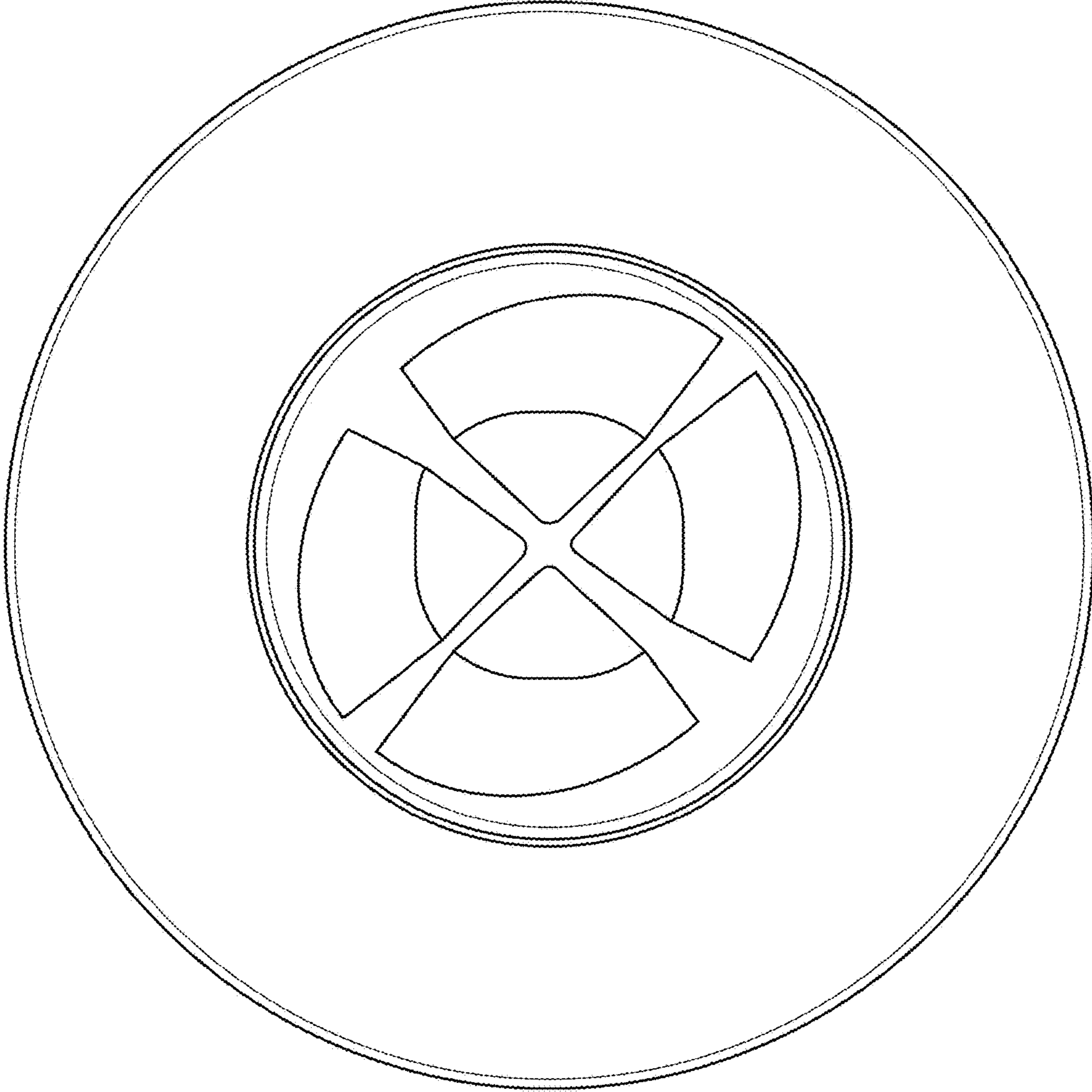


Figure 4

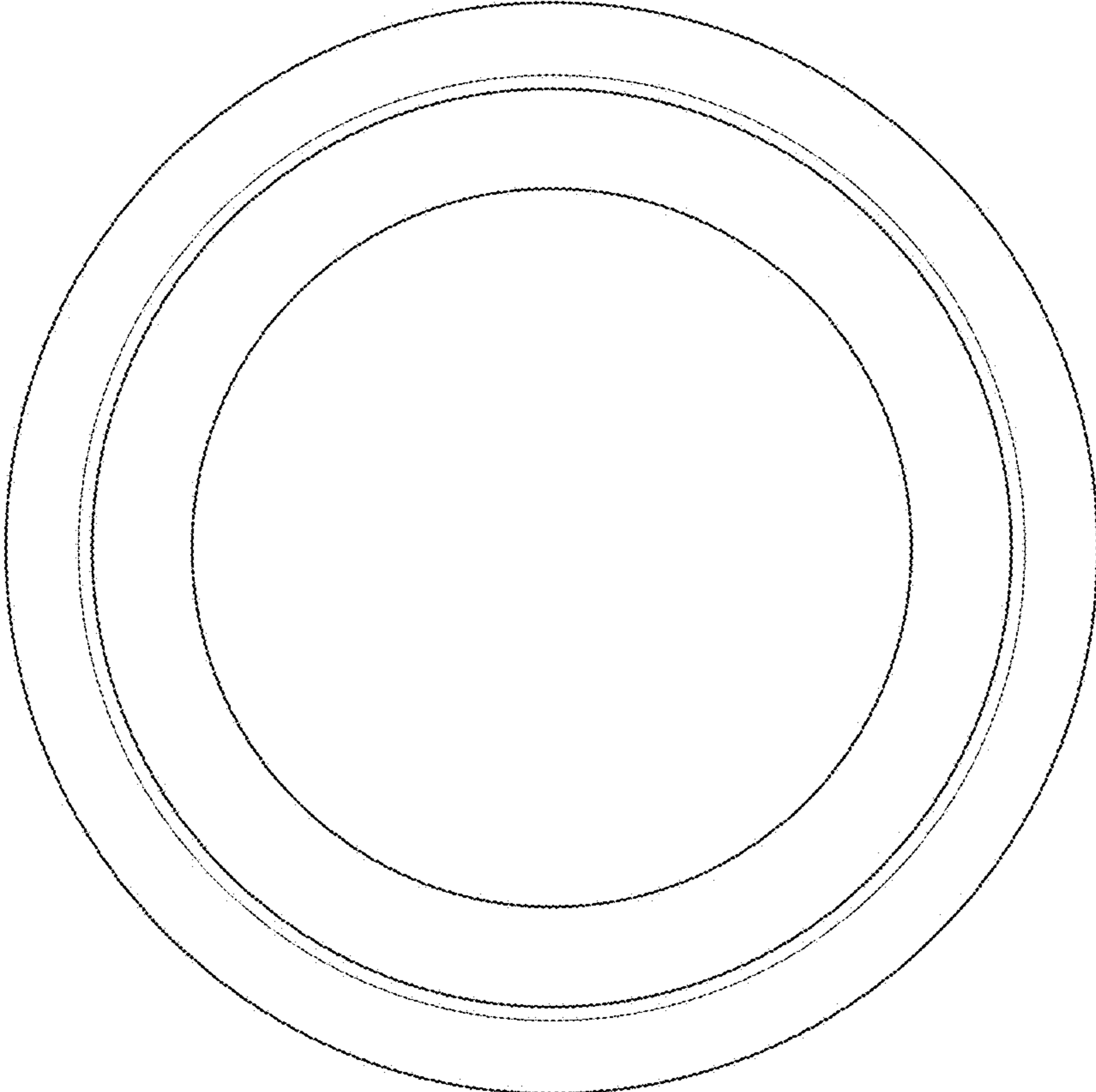


Figure 5